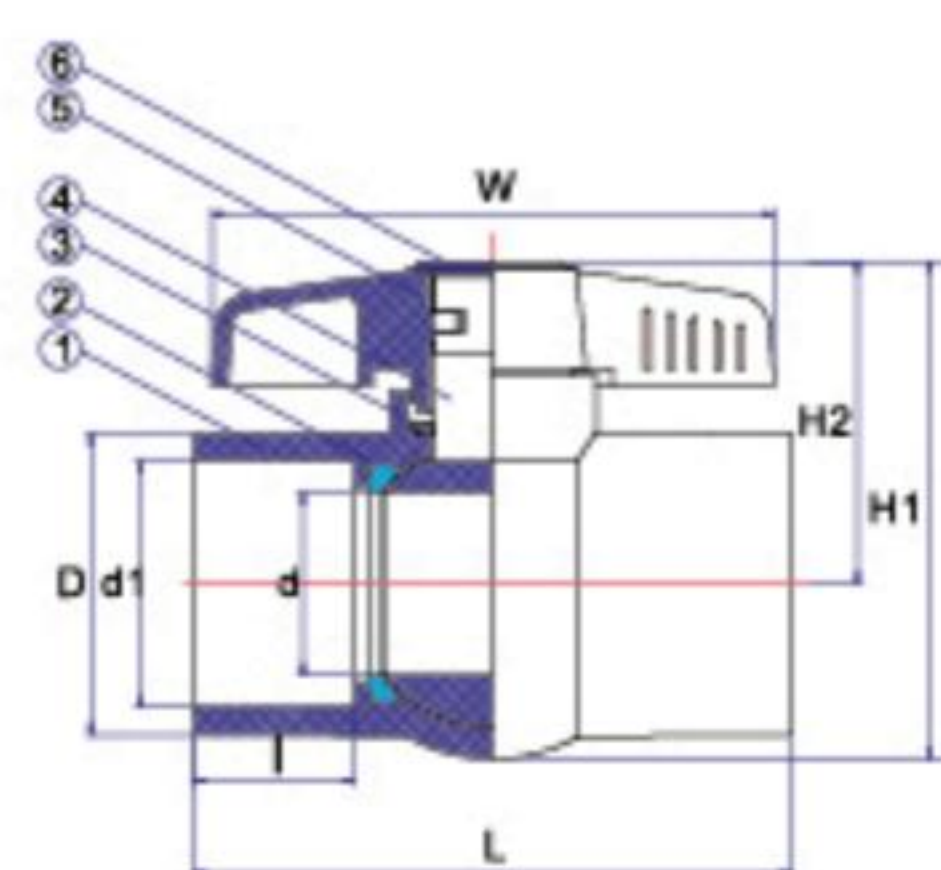




PLASTIC VALVES AND FITTINGS

VALVE



ITEM NO:UCB01

- END CONNECTOR: THREAD, SOCKET
- WORKING PRESSURE:150PSI

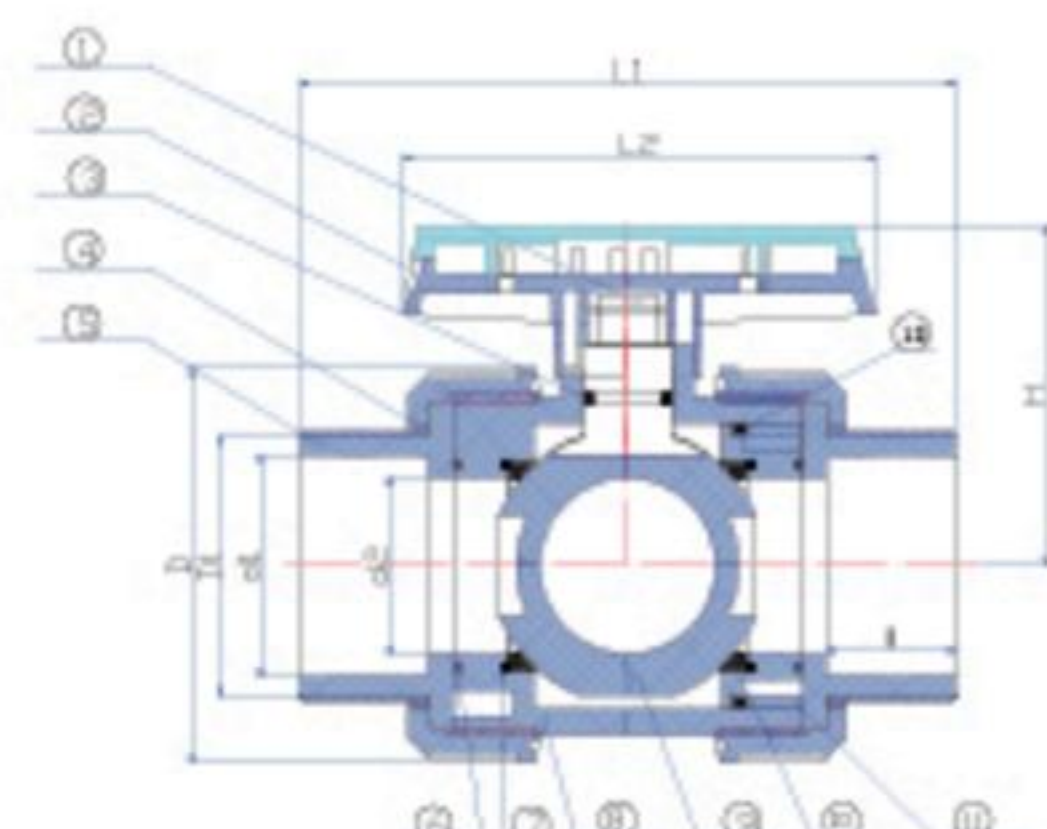
COMPACT BALL VALVE

Specification of material

NO.	PART	MATERIAL	Q'TY
1	Body	PVC,CPVC,PP	1
2	Seat Seal	TPE,PTEE	2
3	O-Ring	EPDM,FPM(NBR)	1
4	Ball	PVC,CPVC,PP	1
5	Handle	ABS	1
6	Cap	ABS	1

COMPACT BALL VALVE

Nom Size	NPT Thd./in	BSPT Thd./in	JIS d1	BS d1	ANSI d1	DIN d1	NBR	d	D	L	I	w	H1	H2
15mm(1/2")	14	14	22	22	21.34	20	20	14.5	32	80	22	68.5	64.3	44.9
20mm(3/4")	14	14	26	26	26.67	25	25	20	36.8	92	25	80.5	76	52
25mm(1")	11.5	11	32	34	33.4	32	32	24	45	106	28.0	100	94	65
32mm(1 1/4")	11.5	11	38	42	42.16	40	40	30	53.5	112.5	28.0	108	103	70
40mm(1 1/2")	11.5	11	48	48	48.26	50	50	34	62	129	33.0	108	112	73.5
50mm(2")	11.5	11	60	60	60.33	63	63	44	75.5	148	39.5	138	126	81
65mm(2 1/2")	8	11	76	76	73	75	75	56	92.5	177.5	39.5	192.5	166	108.5
80mm(3")	8	11	89	89	88.9	90	85	71	107	209	48	192.5	181	116
100mm(4")	8	11	114	114	114.3	110	110	86	134.5	294	78	262	236	151.5
150mm(6")					168.8	160		130.4	185.4	407	102.7	301.9	299.5	181.2



ITEM NO:UTB01

- END CONNECTOR: THREAD, SOCKET
- WORKING PRESSURE:150PSI

TRUE UNION BALL VALVE

Specification of material

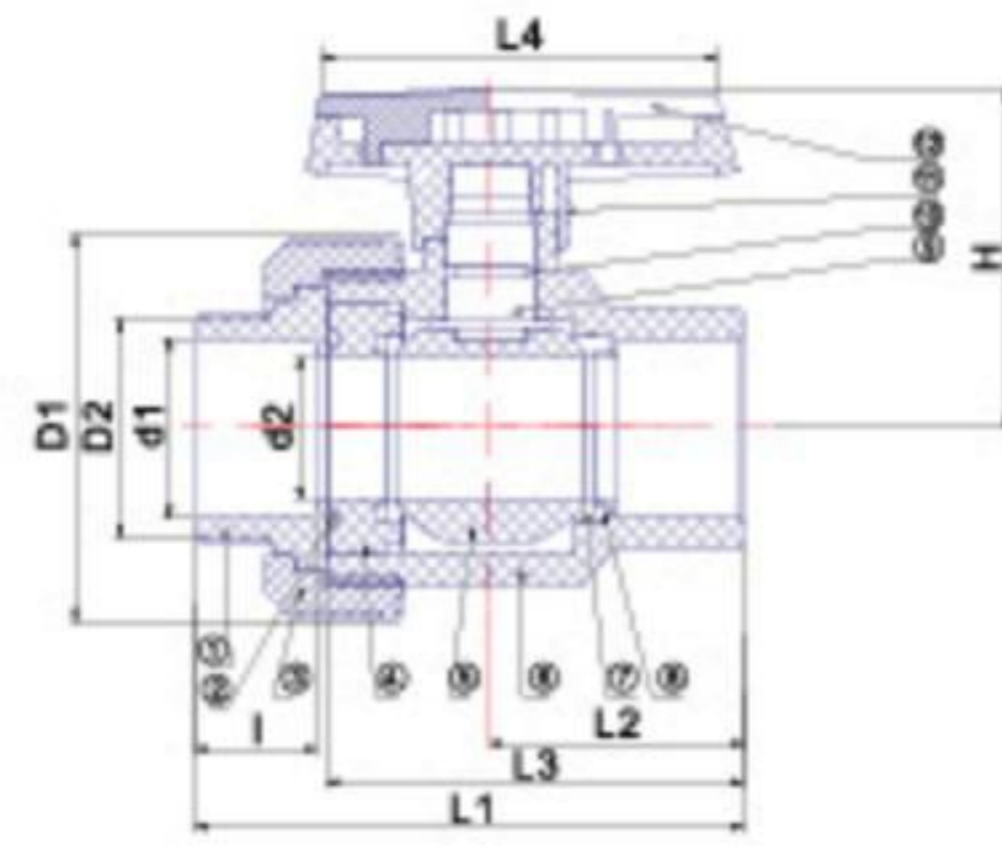
NO.	PART	MATERIAL	Q'TY	NO.	PART	MATERIAL	Q'TY
1	Stem	PVC,CPVC,PP	1	7	O-Ring	EPDM,FPM(NBR)	2
2	Handle	ABS	1	8	Body	PVC,CPVC,PP	1
3	Stem O-Ring	EPDM,FPM(NBR)	2	9	Ball	PVC,CPVC,PP	1
4	Union Nut	PVC,CPVC,PP	2	10	Seat Seal	PTFE	2
5	End Connector	PVC,CPVC,PP	2	11	Seat Carrier	PVC,CPVC,PP	1
6	Body O-Ring	EPDM,FPM(NBR)	2	12	Carrier O-Ring	EPDM,FPM(NBR)	1

TRUE UNION BALL VALVE

Dimensions

Nom Size	NPT Thd./in	BSPT Thd./in	JIS d1	BS d1	ANSI d1	DIN d1	d2	D1	D	I	L1	L2	H
15mm(1/2")	14	14	22	22	21.34	20	14	27.6	51.2	20.6	112.5	65	50.5
20mm(3/4")	14	14	26	26	26.67	25	18.7	35.6	65.5	24.6	130.2	75	58.5
25mm(1")	11.5	11	32	34	33.4	32	24	41.6	73.7	28	142.5	85	65.7
32mm(1 1/4")	11.5	11	38	42	42.16	40	32	52	86.6	31	161	97	76.5
40mm(1 1/2")	11.5	11	48	48	48.26	50	40	59.5	102	31.5	166.5	110	86
50mm(2")	11.5	11	60	60	60.33	63	50	75	120	40	214	133.5	101.5
65mm(2 1/2")	8	11	76	76	73.03	75	60	87.5	135	40	228	161	112.5
80mm(3")	8	11	89	89	88.9	90	79	107.5	188	48	269	200	160.5
100mm(4")	8	11	114	114	114.3	110	99	132	216	56	309	240	173.5

PLASTIC VALVES AND FITTINGS



ITEM NO:USU01

- END CONNECTOR: THREAD, SOCKET
- WORKING PRESSURE:150 PSI

● SINGLE UNION BALL VALVE

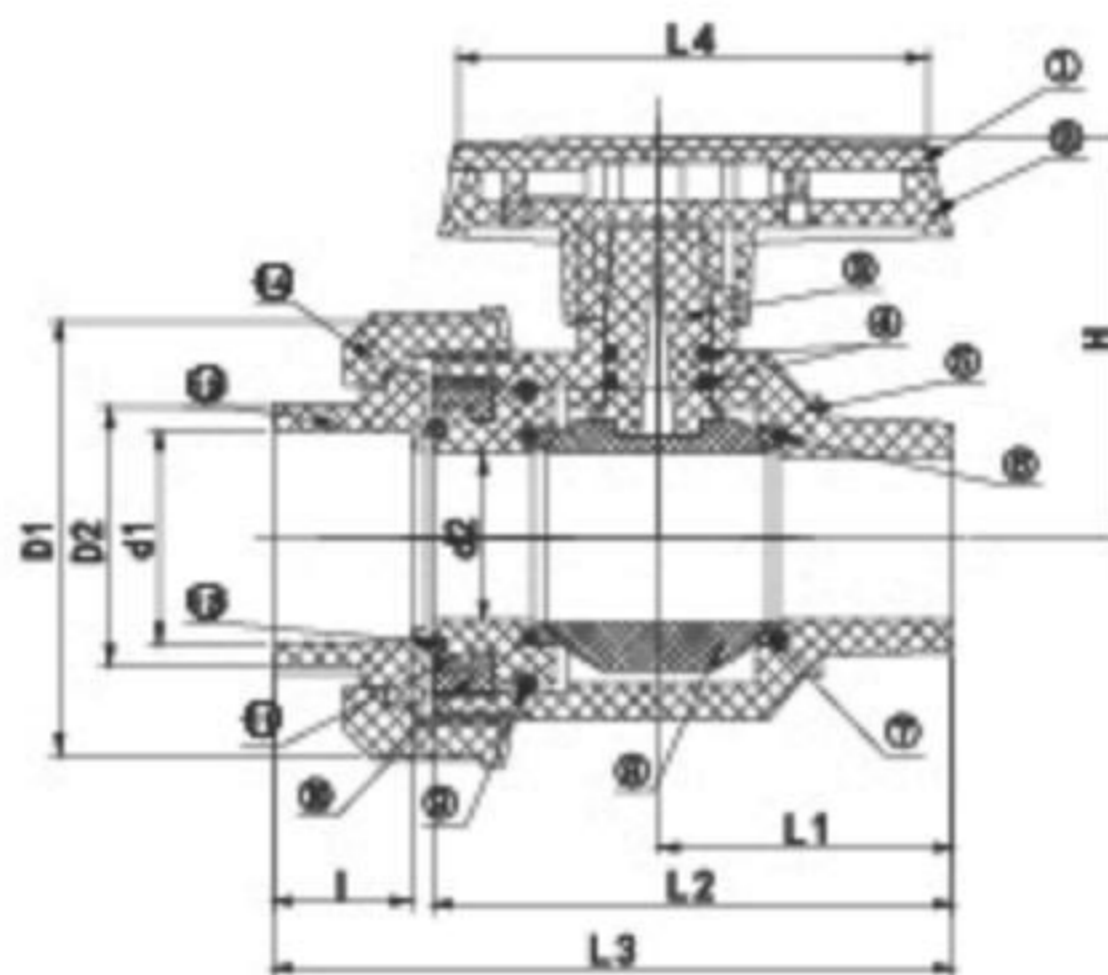
Specification of material

NO.	PART	MATERIAL	Q'TY	NO.	PART	MATERIAL	Q'TY
1	End Connector	PVC,CPVC,PP	1	7	Seat Seal	PTFE	2
2	Carrier O-Ring	EPDM,FPM(NBR)	1	8	O-Ring	EPDM,FPM(NBR)	2
3	Union Nut	PVC,CPVC,PP	1	9	Stem	PVC,CPVC,PP	1
4	Seal Carrier	PVC,CPVC,PP	1	10	Stem O-Ring	EPDM,FPM(NBR)	2
5	Ball	PVC,CPVC,PP	1	11	Handle	ABS	1
6	Body	PVC,CPVC,PP	1				

● SINGLE UNION BALL VALVE

Dimensions

Nom Size	NPT Thd./in	BSPT Thd./in	JIS d1	BS d1	ANSI d1	DIN d1	d2	D2	D1	I	L1	L2	L3	L4	H
15mm(1/2")	14	14	22	22	21.34	20	14	27.6	51.3	20.6	95.8	25.3	67.3	65	49.5
20mm(3/4")	14	14	26	26	26.67	25	18.7	35.2	65.5	25	111.4	32.4	78.3	74.9	56.5
25mm(1")	11.5	11	32	34	33.4	32	24	41.6	73.7	27.9	121.5	49.5	85.9	85	65
32mm(1 1/4")	11.5	11	38	42	42.16	40	32	49	86.6	27.0	130	57	99	97.1	76.5
40mm(1 1/2")	11.5	11	48	48	48.26	50	40	60.8	102	34.5	157.5	69.0	113.5	109.7	86.5
50mm(2")	11.5	11	60	60	60.33	63	50	74.5	120	40	190	81	136.5	190.0	102
65mm(2 1/2")	8	11	76	76	73.03	75	60	89	135	40	210	95.9	156	161	113.5
80mm(3")	8	11	89	89	88.9	90	79	107.5	188	48	254.6	120.9	196.5	199.4	161.5
100mm(4")	8	11	114	114	114.3	110	99	132	215.5	56	294	140.7	225	240	174



ITEM NO:USU04

- END CONNECTOR: THREAD, SOCKET
- WORKING PRESSURE:150 PSI

● MALE SINGLE UNION BALL VALVE

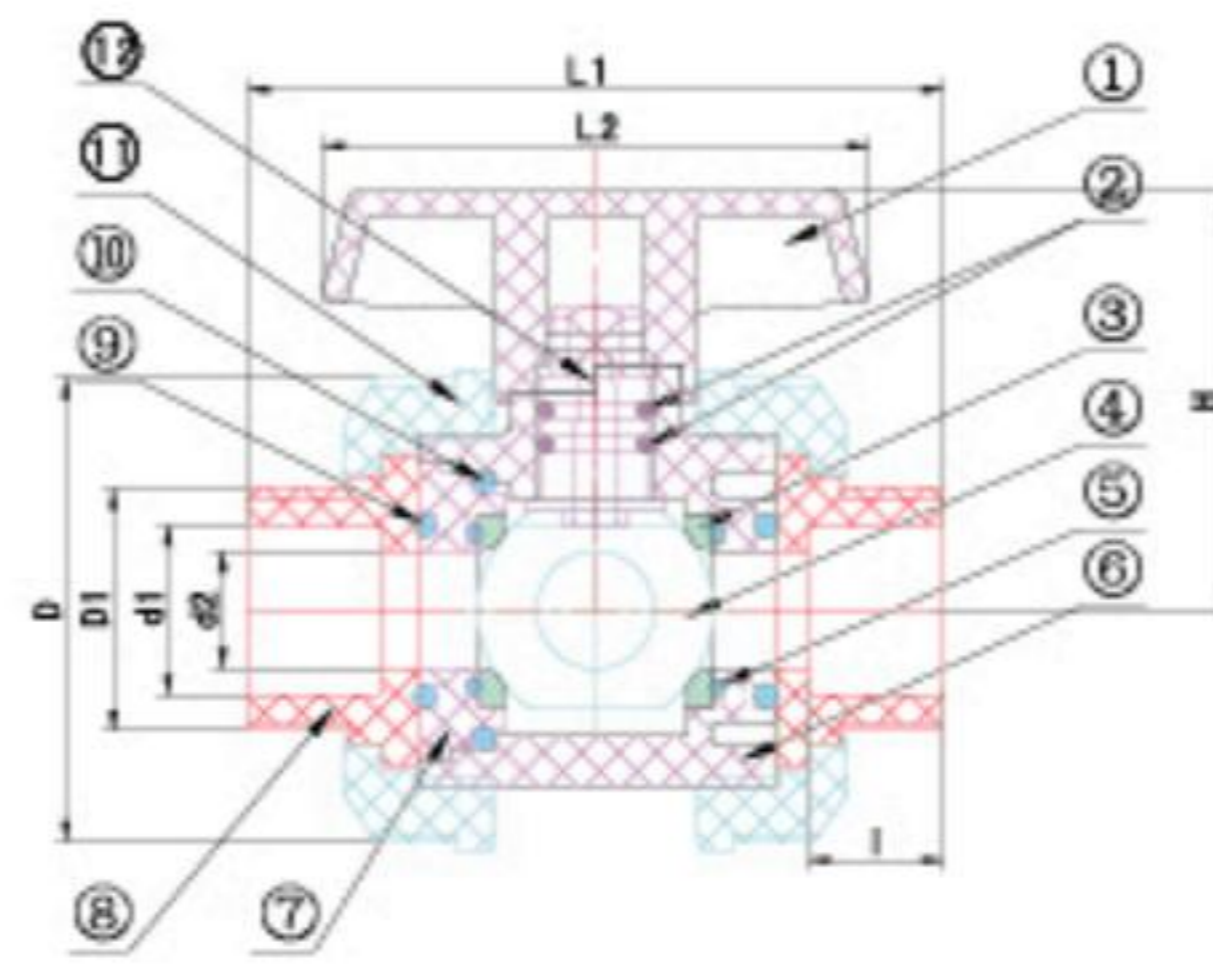
Specification of material

NO.	PART	MATERIAL	Q'TY	NO.	PART	MATERIAL	Q'TY
1	Cover	PVC-U	1	8	Ball	PVC-U	1
2	Handle	ABS	1	9	O-Ring	EPDM	1
3	Stem	PVC-U	1	10	Seal	PVC-U	1
4	Stem O-Ring	EPDM	2	11	Seal Carrier	PVC-U	1
5	Body	PVC-U	1	12	O-Ring	EPDM	1
6	O-Ring	EPDM	2	13	End Connector	PVC-U	1
7	Seat Seal	PTFE	2	14	Union Nut	PVC-U	1

● MALE SINGLE UNION BALL VALVE

Dimensions

Nom Size	D1	D2	d1	d2	L1	L2	L3	L4	H	I
15mm(1/2")	47.8	26.4	20.3	14	40	67	88.5	59.2	49.8	17
20mm(3/4")	58.8	31.3	25.3	19	43	78	101.5	68.3	57.3	20
25mm(1")	68	38	32.4	32	50	86	112	78.3	64.4	23.4
32mm(1 1/4")	82.4	49	40.4	32.5	56.4	99.3	129.7	89.5	76	26.6
40mm(1 1/2")	94.6	59.5	50.4	40	68.2	115	151.8	101.3	86.6	31.5
50mm(2")	113	73.9	63.4	49.7	78	134	179	124.4	101	38.5
65mm(2 1/2")	128	87.8	67	59.5	90	151.8	203.8	149.9	113.1	44
80mm(3")	181	107.4	90.4	80	120.9	196	254.7	191.6	160	52
100mm(4")	204	132.2	106.5	96	139.5	224.5	295.8	191.6	230.3	62



ITEM NO: UTB03

● TRUE UNION BALL VALVE III

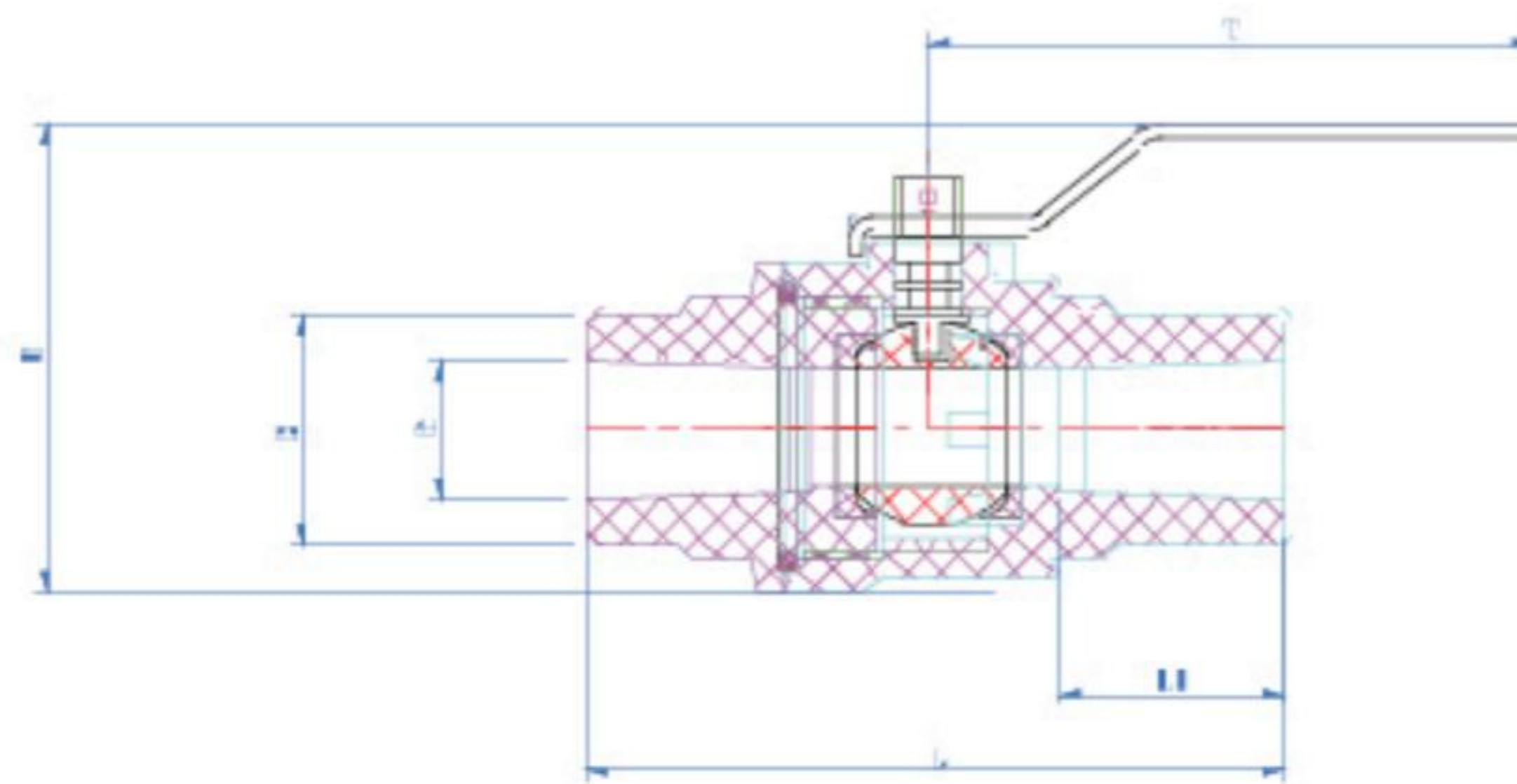
Specification of material

NO.	PART	MATERIAL	QTY	NO.	PART	MATERIAL	QTY
1	Handle	ABS	1	7	Seat Carrier	PVC-U	1
2	Stem O-Ring	NBR	2	8	End Connector	PVC-U	1
3	Seat Seal	PE	2	9	O-Ring	NBR	1
4	Ball	PVC-U	1	10	O-Ring	NBR	1
5	O-Ring	NBR	2	11	Union Nut	PVC-U	1
6	Body	PVC-U	1	12	Stem	PVC-U	1

● TRUE UNION BALL VALVE III

Dimensions

Nom Size	NPT	BSPT	JIS(d1)	BS(d1)	ANSI(d1)	DIN(d1)	d2	D1	D	I	L1	L2	H
15mm(1/2")	14	14	22	22	21.34	20	14	26	55	16	82.50	65	49.50
20mm(3/4")	14	14	26	26	26.67	25	18	36	60	19	92	80	54.50
25mm(1")	11.50	11	32	34	33.40	32	25	44	69	22.50	107	85	62
32mm(1 1/4")	11.50	11	38	42	42.16	40	32	56	81.50	26	120	97	74
40mm(1 1/2")	11.50	11	48	48	48.26	50	40	63	93	31.50	144	116	85
50mm(2")	11.50	11	60	60	60.33	63	50	78	111	38.50	172	134	100

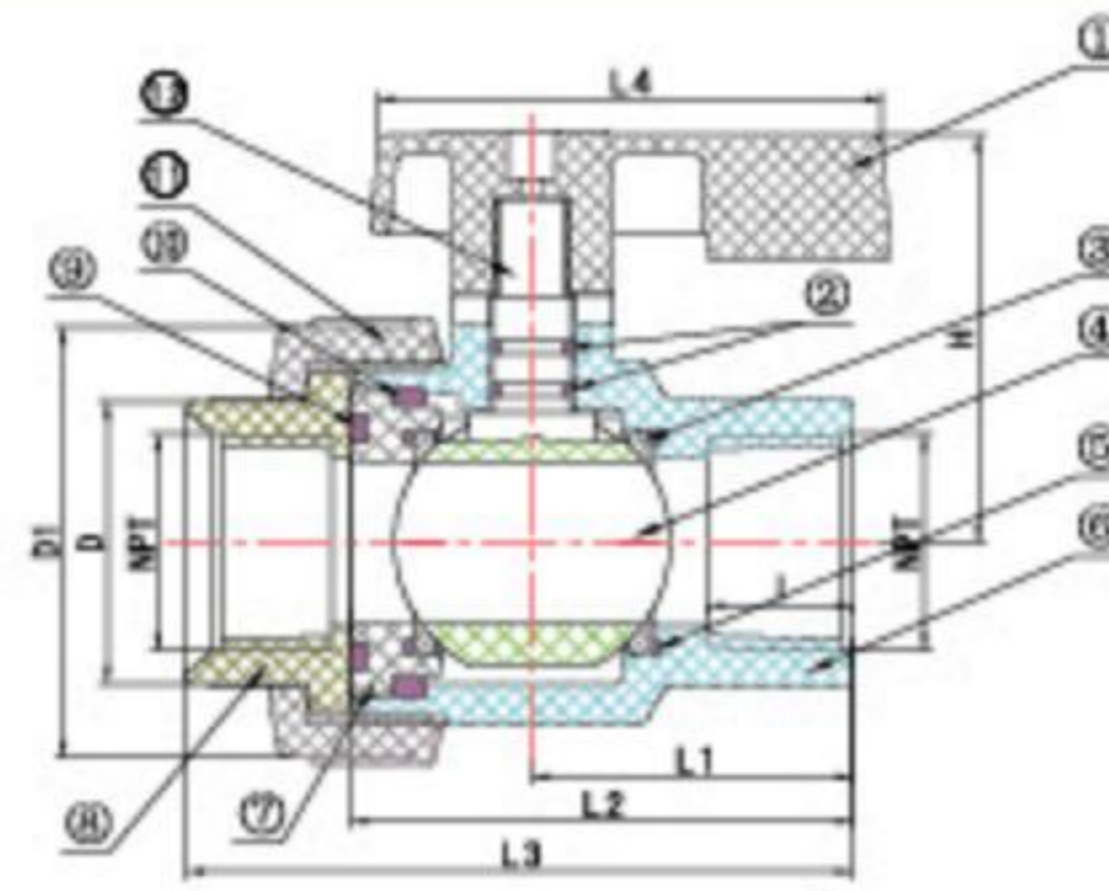


ITEM NO: UCB06

● TWO PCSES BALL VALVE WITH STAINLESS STEEL HANDLE

Nom Size	L	L1	T	R	D	H
20	87	28	75.8	1/2"	29	58.27
25	93.6	27.98	80.8	3/4"	33.2	63.67
32	108.4	31	83.2	1"	41	74.97
40	120.5	35	96.4	1 1/4"	51.5	90.8
50	137	39	111.4	1 1/2"	58	102
63	162	46	123	2"	74.5	118.85
75	197	52.5	139.5	2 1/2"	91.5	145.62
90	247.5	73.5	190.72	3"	104.75	166.25
110	282.39	74	208.78	4"	133.97	199.25

PLASTIC VALVES AND FITTINGS



ITEM NO: USU03

Specification of material

SINGLE UNION BALL VALVE III

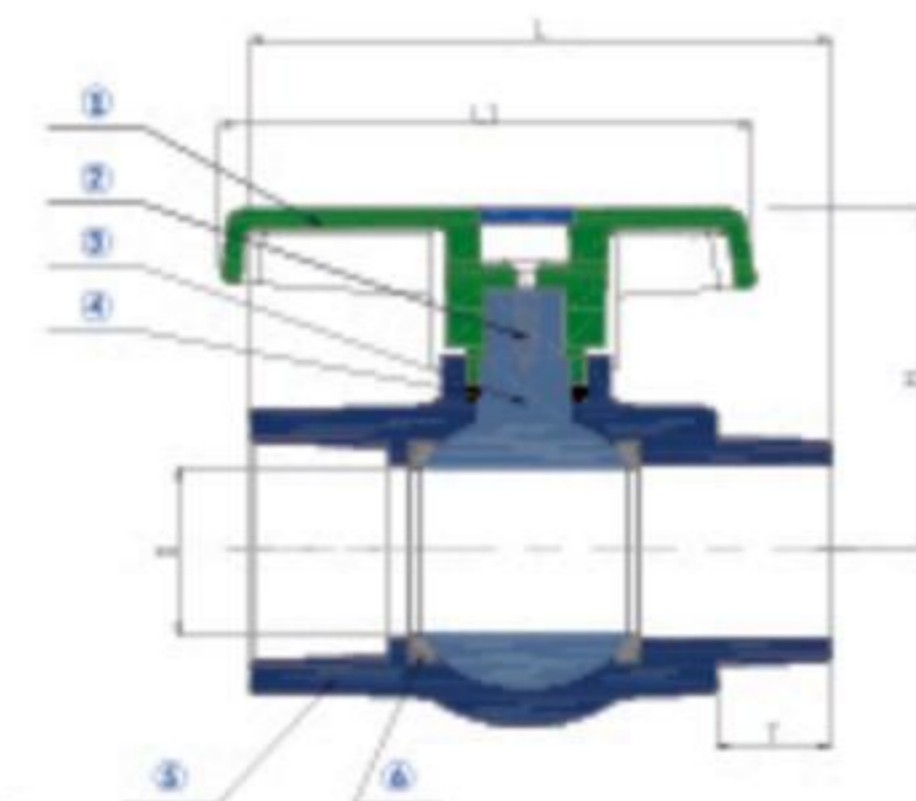
NO.	PART	MATERIAL	Q'TY
1	Handle	PVC-U	1
2	Stem O-Ring	NBR	1
3	Seat Seal	PTFE	1
4	Ball	PVC-U	1
5	O-Ring	NBR	1
6	Body	PVC-U	1

NO.	PART	MATERIAL	Q'TY
7	Seat Carrier	PVC-U	1
8	End connector	PVC-U	1
9	Seat Carrier Flat O-Ring	NBR	1
10	Seat Carrier O-Ring	NBR	1
11	Union nut	PVC-U	1
12	Stem	PVC-U	1

SINGLE UNION BALL VALVE III

Dimensions

Nom Size	D1	D	NPT	NBR	I	L1	L2	L3	L4	H
15mm(1/2")	49	29	1/2"	20	18	38	58	80	57	50
20mm(3/4")	60	35	3/4"	25	18	41.9	66	88	64	49.7
25mm(1")	66	43.2	1"	32	22	49	76.7	101.9	77.2	62.3
32mm(1 1/4")	81	51	1 1/4"	40	29	59	93	125	91	75
40mm(1 1/2")	94	60	1 1/2"	50	31.5	63.2	99.2	133.2	100	81.5
50mm(2")	111	74	2"	63	38	82.4	124.7	165.7	117.6	92.4
80mm(3")	178	107.5	3"	85	56	108.4	172	229.3	173	138.6
100mm(4")	210	131	4"	110	66.2	135	212.4	281.1	224	151.65



ITEM NO: UCTB04

Specification of material

COMPACT BALL VALVE M/F

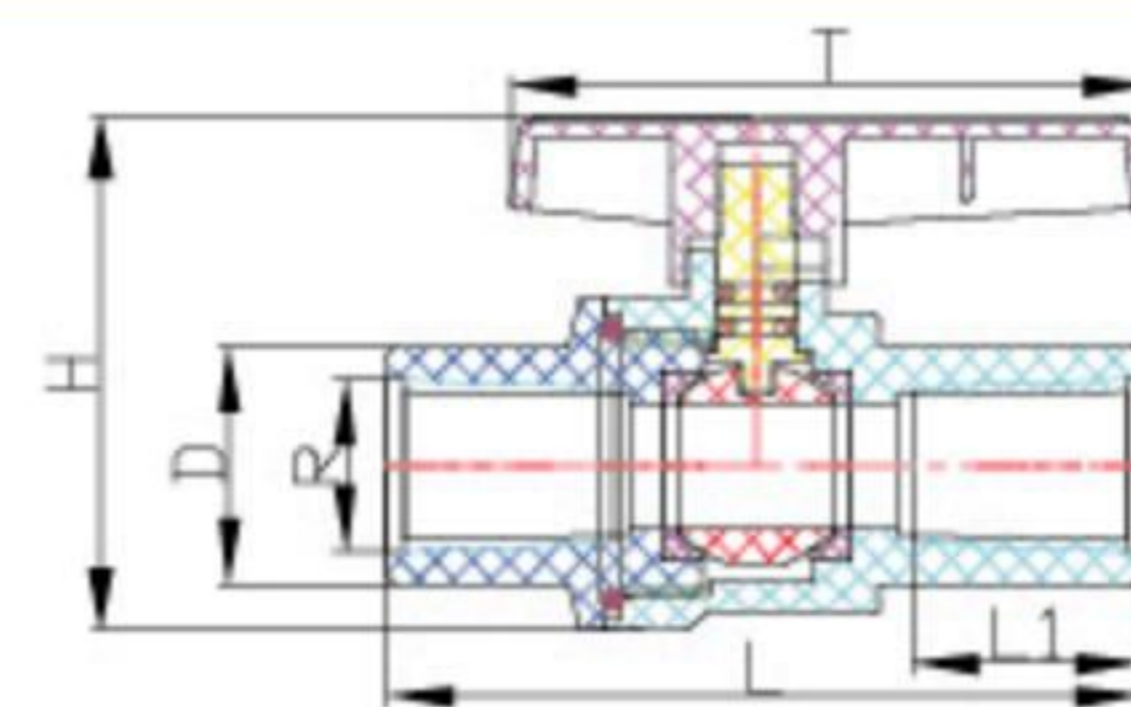
NO.	PART	MATERIAL	Q'TY
1	Handle	PVC	1
2	Nail	304	1
3	Ball	PP	1

NO.	PART	MATERIAL	Q'TY
4	Stem O-Ring	EPDM	1
5	Body	PVC	1
6	Seal Seat	TPE	2

COMPACT BALL VALVE M/F

Dimensions

Nom Size	DN	D	L	L1	T	H
1 1/2" X 1 1/2"	40	35	139	107	24	59
2" X 2"	50	46	151	139	30	69

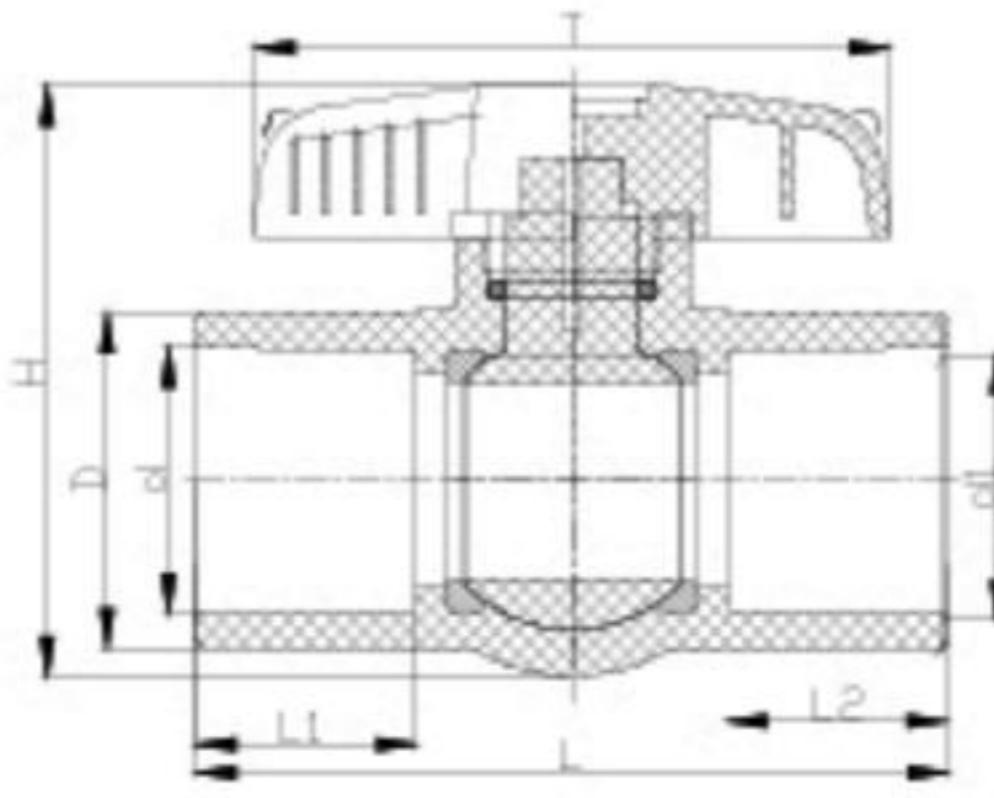


ITEM NO: UCB05

TWO PCSES BALL VALVE

Dimensions

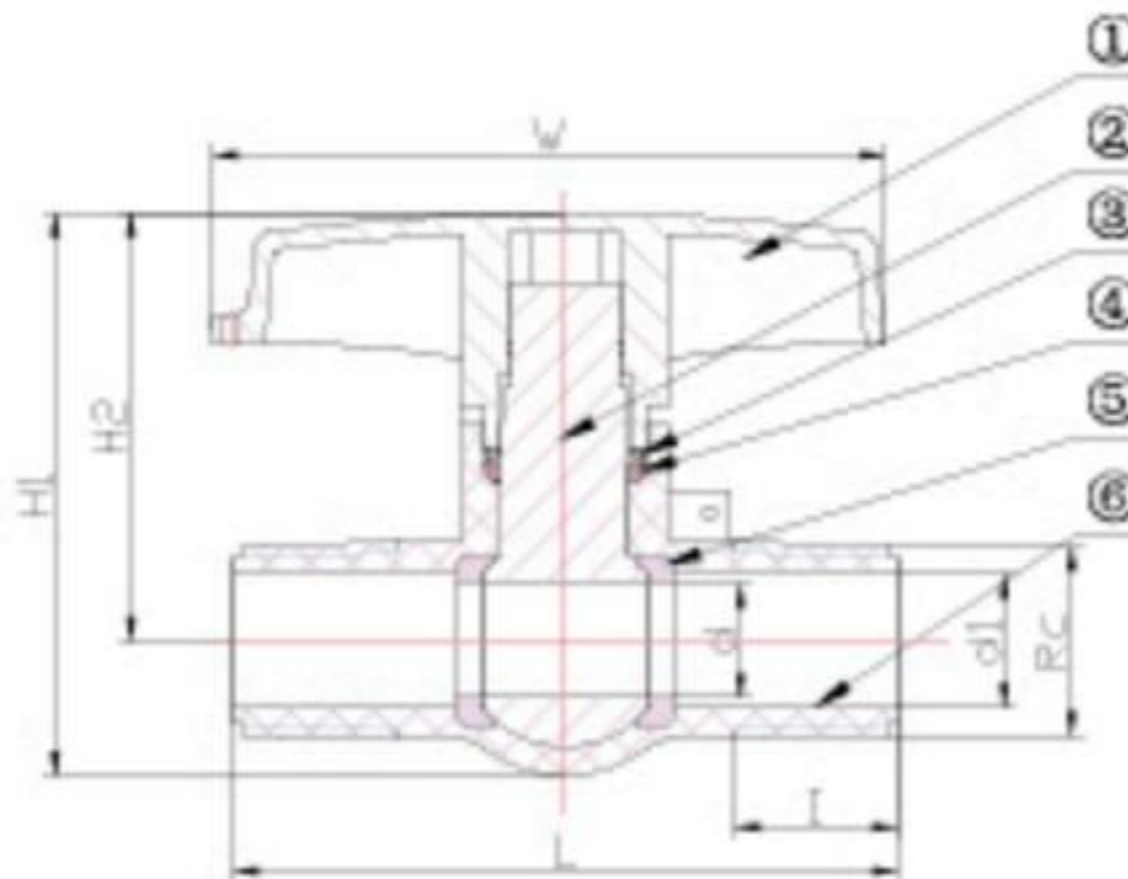
Nom Size	NPT Thd./in	BSPT Thd./in	JIS d1	BS d1	ANSI d1	DIN d1	L	L1	D	R	H	T
15mm(1/2")	14	14	22	22	21.34	20	93	28	30	1/2"	63.7	79
20mm(3/4")	14	14	26	26	26.67	25	95.6	25	33.2	3/4"	68.5	79
25mm(1")	11.5	11	32	34	33.4	32	114.4	28	41	1"	81	85
32mm(1 1/4")	11.5	11	38	42	42.16	40	127.6	31	51.5	1 1/4"	93.6	92
40mm(1 1/2")	11.5	11	48	48	48.26	50	139.5	35	58	1 1/2"	106.3	103
50mm(2")	11.5	11	60	60	60.33	63	162	42	74.5	2"	125.06	118



ITEM NO: UCB04

OCTAGONAL COMPACT BALL VALVE

Nom Size	NPT Thd./in	BSPT Thd./in	JIS d1	BS d1	ANSI d1	DIN d1	L	L1	L2	Dimensions	
										H	T
15mm(1/2")	14	14	22	22	21.34	20	69.8	18.5	18	60.1	65
20mm(3/4")	14	14	26	26	26.67	25	79.2	22	22	69.5	71.8
25mm(1")	11.5	11	32	34	33.4	32	94.5	26.2	25	83.7	87.8
32mm(1 1/4")	11.5	11	38	42	42.16	40	106.8	26.8	26	94.5	99.6
40mm(1 1/2")	11.5	11	48	48	48.26	50	122.8	31.2	31	109.7	109.8
50mm(2")	11.5	11	60	60	60.33	63	142.7	34.5	34	129	127.5
65mm(2 1/2")	8	11	76	76	73	75	173	41.5	41.5	164.5	180
80mm(3")	8	11	89	89	88.9	90	228	65	65	191	196
100mm(4")	8	11	114	114	114.3	110	256	65.5	65.5	216	218.5



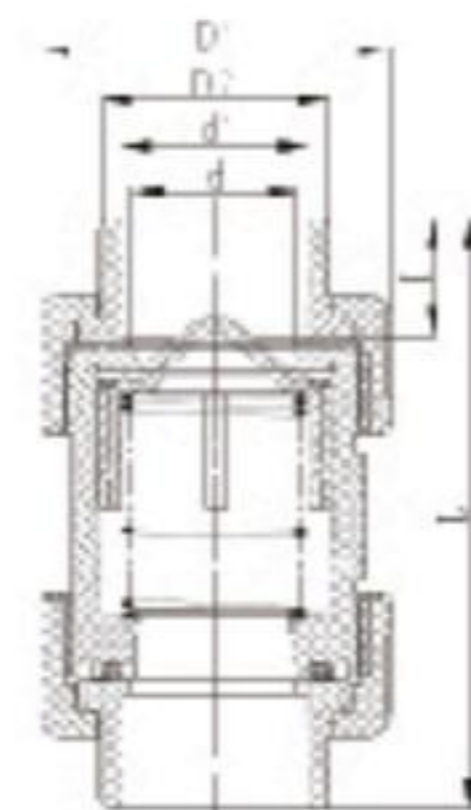
ITEM NO: UCB03

COMPACT BALL VALVE M/M

				Specification of material			
NO.	PART	MATERIAL	QTY	NO.	PART	MATERIAL	QTY
1	Handle	ABS	1	4	O-Ring	NBR	1
2	Stem	PVC-U	1	5	O-Ring	HDPE	2
3	Seat Seal	PE	1	6	Body	PVC-U	1

COMPACT BALL VALVE M/M

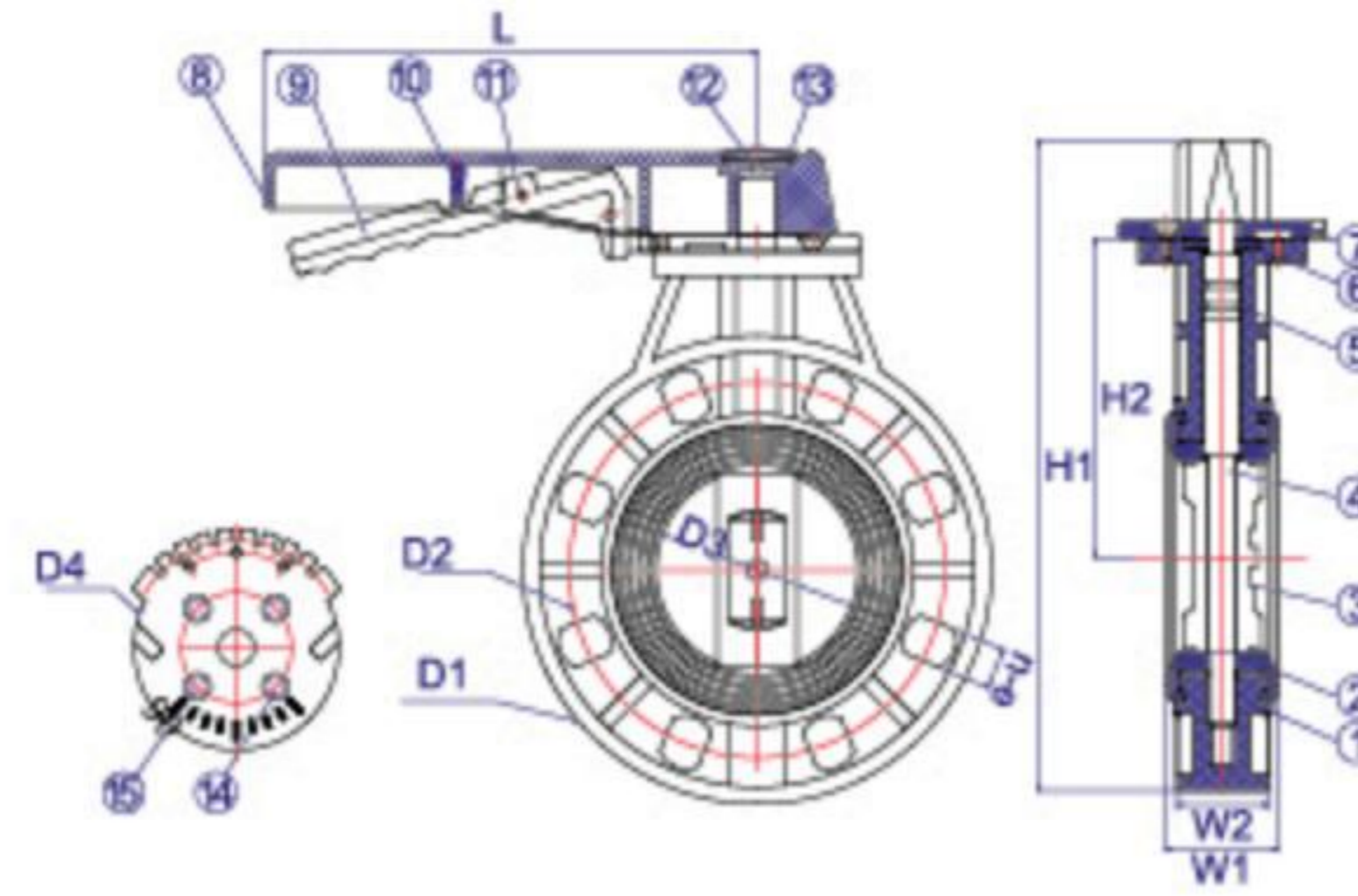
Nom Size	Rc	d1	d	L	I	W	Dimensions	
							H1	H2
15mm(1/2")	1/2"	14	12	70	17	71	60	45
20mm(3/4")	3/4"	18	16	75	17	71	67	47



ITEM NO: UTS01

TRUE UNION SPRING CHECK VALVE

Nom Size	NPT Thd./in	BSPT Thd./in	d	JIS d1	BS d1	ANSI d1	DIN d1	D1	D2	Dimensions	
										I	L
15mm(1/2")	14	14	16.8	22	22	21.34	20	48	27.4	17	87.2
20mm(3/4")	14	14	22	26	26	26.67	25	68	36.2	19.7	114.53
25mm(1")	11.5	11	26.5	32	34	33.4	32	68	42	23	129.5
32mm(1 1/4")	11.5	11	37.1	38	42	42.16	40	95	52.6	27	151.1
40mm(1 1/2")	11.5	11	44.6	48	48	48.26	50	92.8	61.4	32	160.3
50mm(2")	11.5	11	54.8	60	60	60.33	63	114.8	77.6	38	193.2
65mm(2 1/2")	8	11	65	76	76	73	75	148	89.4	45	231.4
80mm(3")	8	11	80	89	89	88.9	90	179	108.5	58	270
100mm(4")	8	11	80	114	114	114.3	110	179	132.5	63.5	281.8



ITEM NO:UBV01

- END CONNECTOR: FLANGE
- WORKING PRESSURE:200PSI

BUTTERFLY VALVE

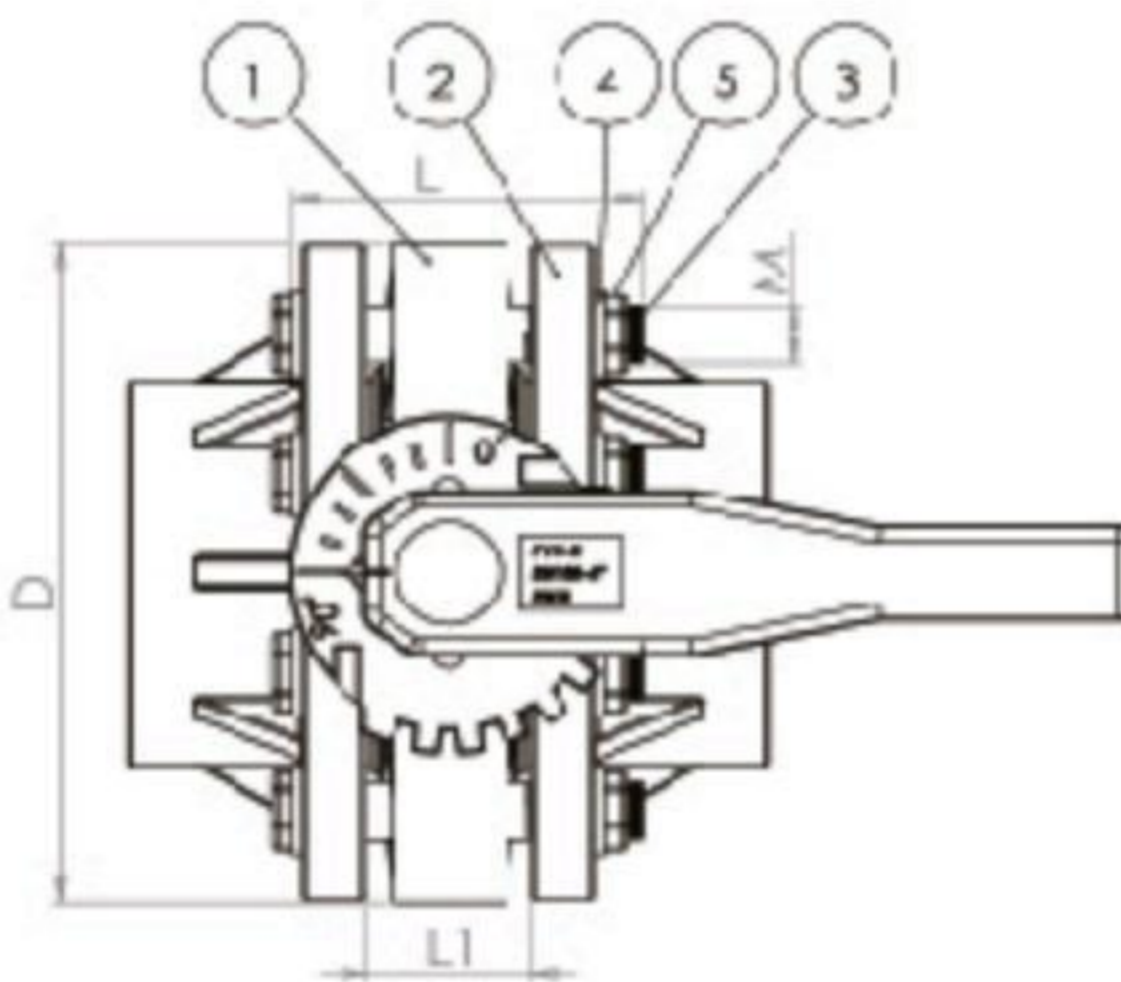
Specification of material

NO.	PART	MATERIAL	Q'TY	NO.	PART	MATERIAL	Q'TY
1	Body	PVC	1	9	Small Handle	ABS	1
2	Seat Seal	EPDM,FPM(NBR)	1	10	Spring	SUS304	1
3	Gate	PVC	1	11	Pin	SUS304	1
4	Stem	SUS410	1	12	Bolt	SUS304	1
5	O-Ring	EPDM,FPM(NBR)	2	13	Handle Cap	ABS	1
6	Washer	ABS	1	14	Insered Bolt	SUS304	4
7	Locking Plate	PVC	1	15	Bolt Cap	PVC	4
8	Large Handle	ABS	1				

BUTTERFLY VALVE

Dimensions

Nom Size	D1	DIN D2	JIS D2	ANSI D2	D3	D4	L	H1	H2	W1	W2	DIN n-φ e	JIS n-φ e	ANSI n-φ e
50mm(2")	160.1	120	100	120.4	55.6	99.7	189.7	223.3	98.3	44	32	4-20	4-19	4-19
65mm(2 1/2")	179.8	141.2	140	139.5	68.7	99.7	189.0	247.0	111.6	48.3	32.4	4-18	4-19	4-19
80mm(3")	195.0	156.4	140	139.5	83.9	99.7	238.5	282.6	132.5	51.9	36.3	8-20	4-19	4-19
100mm(4")	228.1	183	150	152.4	103.2	99.7	239.5	319.4	155.4	54.5	44.1	8-20	8-19	8-19
125mm(5")	257	210.9	175	190.5	129.5	139	309.8	368	170.3	66.5	54.6	8-21.5	8-19	8-19
150mm(6")	285.4	238.5	240	241.5	151.1	140.0	309.8	400.8	187.5	73.1	56.4	8-24	8-23	8-22
200mm(8")	342.6	292.4	295	298.5	198.6	140.0	309.8	473.0	230.1	92.0	72.2	8-24	12-23	8-23



ITEM NO:UBV02

- END CONNECTOR: FLANGE
- WORKING PRESSURE:200PSI

BUTTERFLY VALVE WITH FLANGE

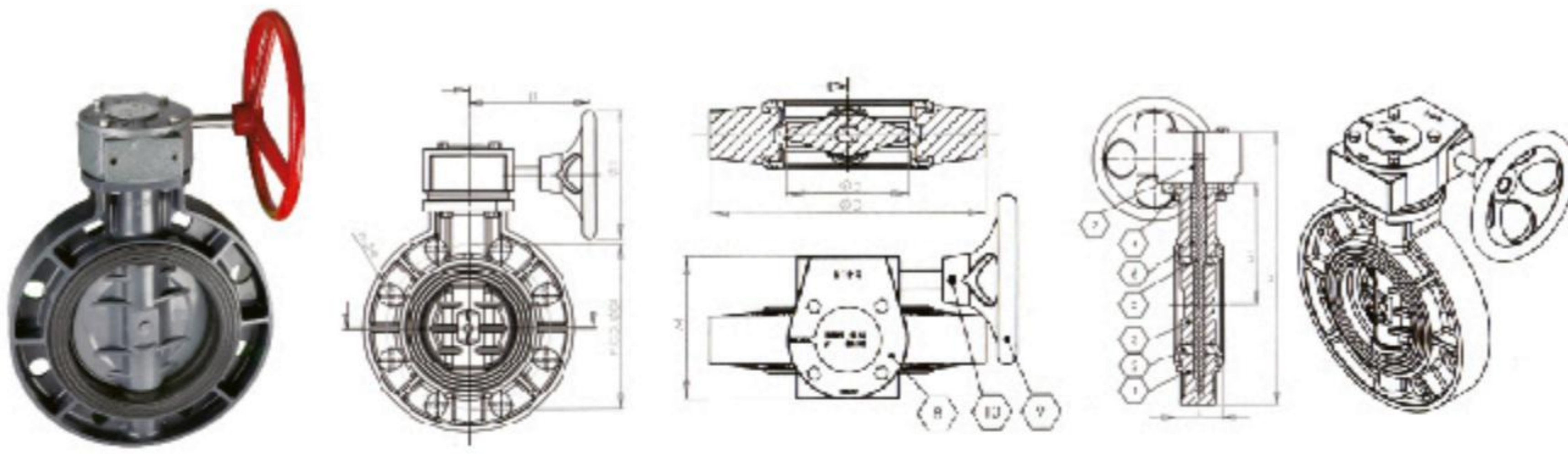
Specification of material

NO.	PARTS	Q'TY
1	Butterfly Valve	1
2	Flange	2
3	Bolt	
4	Washer	
5	Nut	

BUTTERFLY VALVE WITH FLANGE

Dimensions

VALVE SIZE DN-INCH	FLANGE	D	L1	BOLT Q'TY	BOLT M
50 X 2"	63	160	43	4	M16
65 X 2 1/2"	75	180	46	4	M16
80 X 3"	90	196	49	8	M16
100 X 4"	110	228	54	8	M16
125 X 5"	125,140	258	64	8	M16
150 X 6"	160	287	70	8	M20
200 X 8"	200,225	344	88	8	M20
250 X 10"	250,280	412	98	12	M20
300 X 12"	315	460	108	12	M20
350 X 14"	350	500	88	16	M20
400 X 16"	400	565	96	16	M24



ITEM NO:UBV03
 ■ WORKING PRESSURE:200PSI

BUTTERFLY VALVE GEAR TYPE

Specification of material

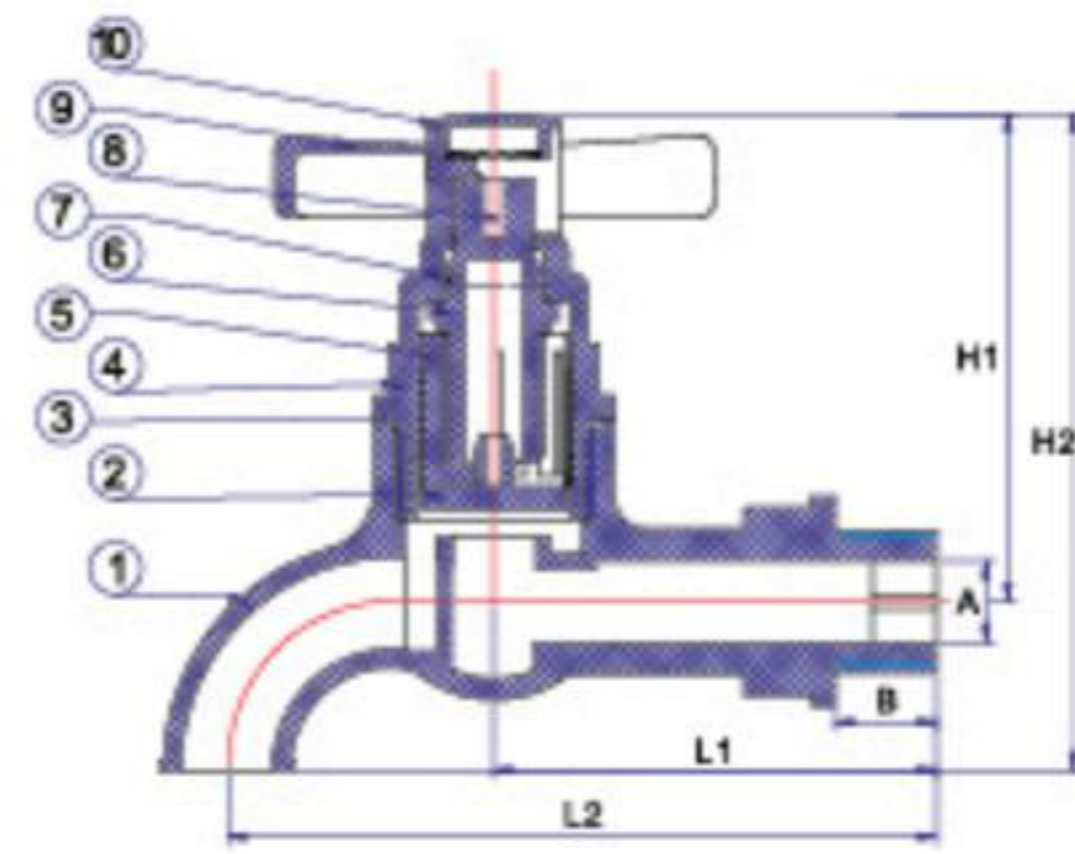
NO.	PART	MATERIAL	Q'TY
1	Body	PVC/CPVC/PPG	1
2	Seat Seal	EPDM/FPM	1
3	Disc	PVC/CPVC/PPG	1
4	Bolt	304	1
5	Stem	STEEL, /304/316	1

NO.	PART	MATERIAL	Q'TY
6	O-Ring	EPDM/FPM	2
7	Key	STEEL	1
8	Gear Box	IRON	1
9	Hand Wheel	IRON	1
10	Pin	STEEL	1

BUTTERFLY VALVE GEAR TYPE

Dimensions

SIZE	"	4"	5"	6"	8"	10"	12"	14"	16"
	DN	100	125	150	200	250	300	350	400
	∅D	228	258	287	344	412	460	500	565
P.C.D. ∅D1	DIN	180	210	240	295	350	400	460	515
	ANSI	191	216	241	298	362	432	476	540
	JIS	175	210	240	290	355	400	445	510
	∅d1	98	122	146	199	255	302	345	395
	L	54	64	70	88	98	108	88	98
	∅1	145	280	280	280	280	280	380	380
	L1	120	200	200	200	220	220	280	280
	H1	140	168	181	215	260	280	410	490
	H	340	385	417	487	551	595	670	770
	M	120	180	180	180	180	180	250	250
	N	90	100	100	100	130	130	220	220
N-∅e	DIN	8-∅19	8-∅19	8-∅23	8-∅23	12-∅25	12-∅25	16-∅25	16-∅27
	ANSI	8-∅19	8-∅19	8-∅23	8-∅23	12-∅25	12-∅25	12-∅29	16-∅29
	JIS	8-∅19	8-∅19	8-∅23	12-∅23	12-∅25	16-∅25	16-∅25	16-∅27
PN	PSI	150	150	150	150	100	100	60	60
	MPa	1	1	1	1	0.6	0.6	0.4	0.4
Weight	Kg/PC	7.2	18	19	22	25	29	45	55



ITEM NO:UBC01
 ■ END CONNECTOR: BSPT, NPT, THREAD
 ■ MATERIAL: PVC

BIBCOCK

Specification of material

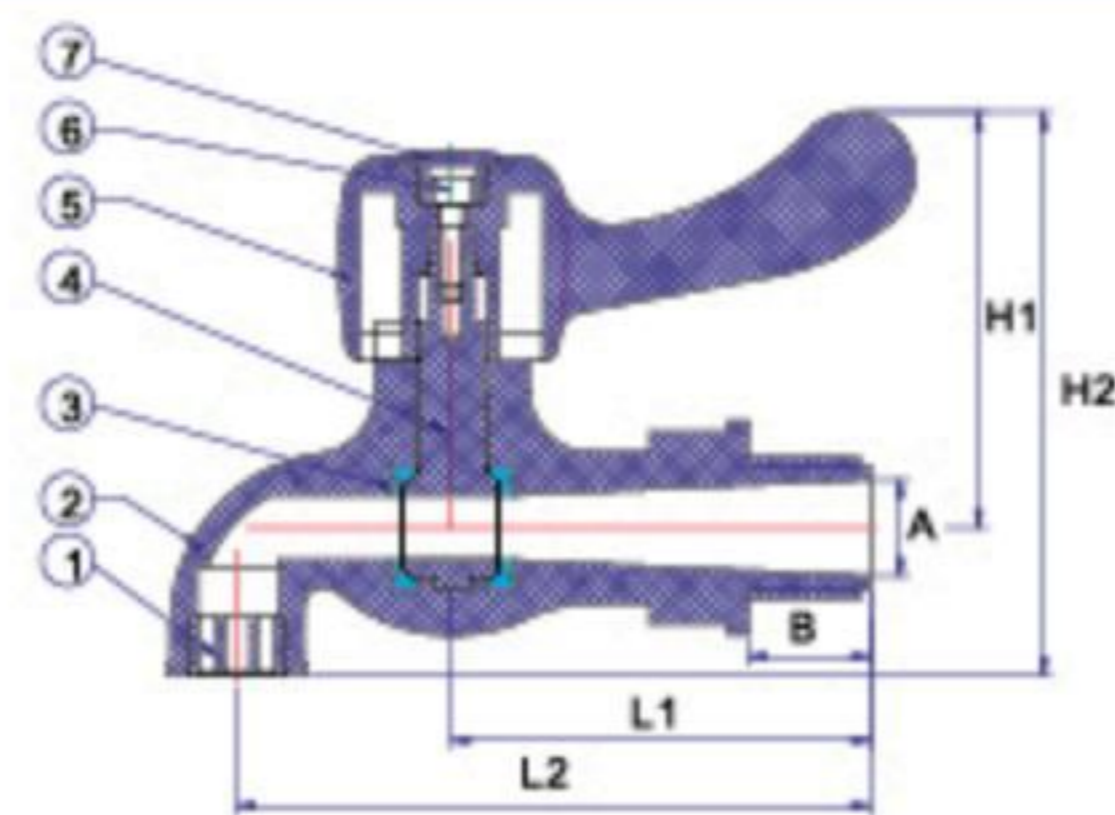
NO.	PART	MATERIAL	Q'TY
1	Body	PVC	1
2	Seal	TPE	1
3	O-Ring	EPDM,FPM(NBR)	1
4	Surcoat	PVC	1
5	Core Nut	ABS	1
6	Screw	ABS	1
7	Stem O-Ring	EPDM,FPM(NBR)	1
8	Bolt	SUS304	1
9	Handle	PVC	1
10	Handle Cap	PS	1

BIBCOCK

Dimensions

Nom Size	NPT Thd./In	BSPT Thd./In	A	B	L1	L2	H1	H2
15mm(1/2")	14	14	11.6	13.7	61.5	99.5	72.5	95
20mm(3/4")	14	14	11.6	13.7	62.5	99.5	72.5	95

PLASTIC VALVES AND FITTINGS



ITEM NO:UWF01

- END CONNECTOR: BSPT, NPT, THREAD
- MATERIAL: PVC

ONE WAY FAUCET

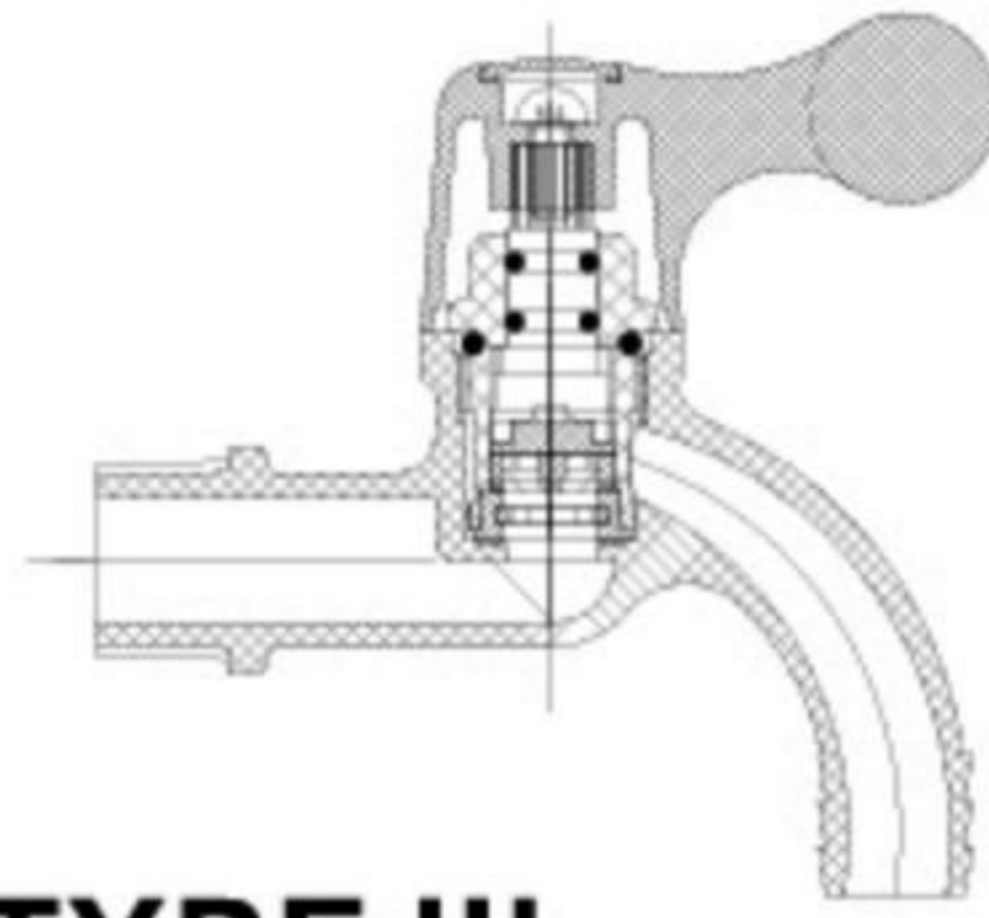
Specification of material

NO.	PART	MATERIAL	Q'TY
1	Nut	ABS	1
2	Body	PVC	1
3	Seat Seal	TPE	2
4	Ball	PVC	1
5	Handle	PVC	1
6	Union Nut	SS41	1
7	Handle Cap	ABS	1

ONE WAY FAUCET

Dimensions

Nom Size	NPT Thd./In	BSPT Thd./In	A	B	L1	L2	H1	H2
15mm(1/2")	14	14	13.8	17.7	62.5	92.9	56	80
20mm(3/4")	14	14	13.8	17.7	63	92.9	55.6	81.5

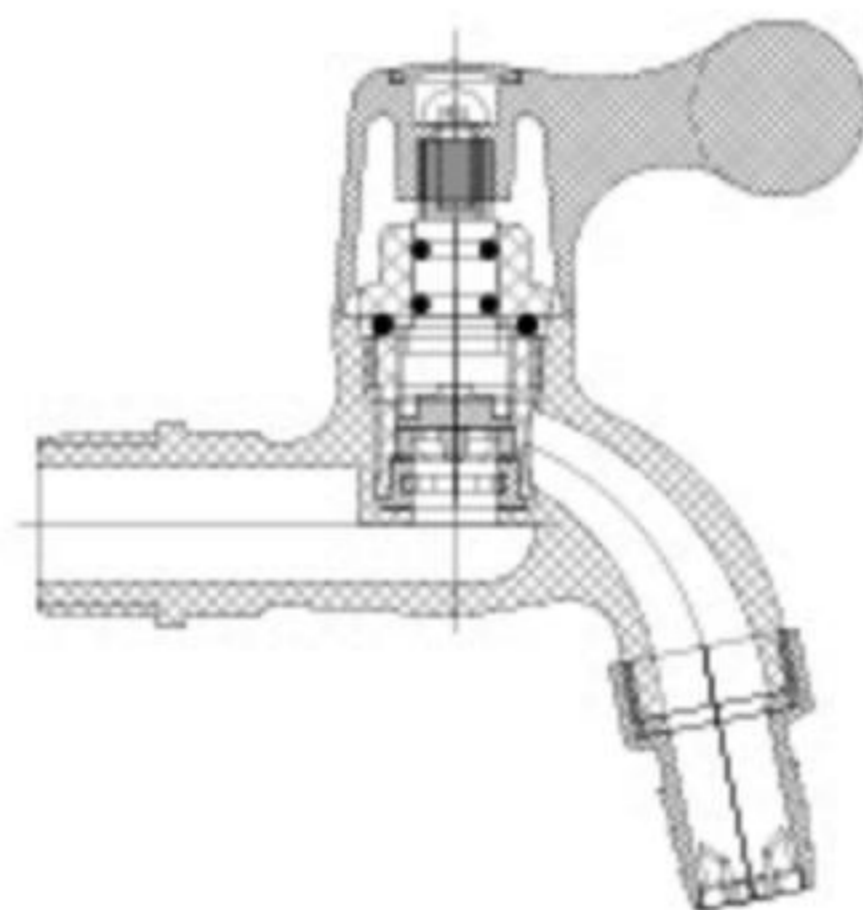


ITEM NO: UWF03

ONE WAY FAUCET TYPE III

Dimensions

	A	B	L1	L2	H1	H2
15mm(1/2")	13.5	14	48.9	85.9	58.78	94.68

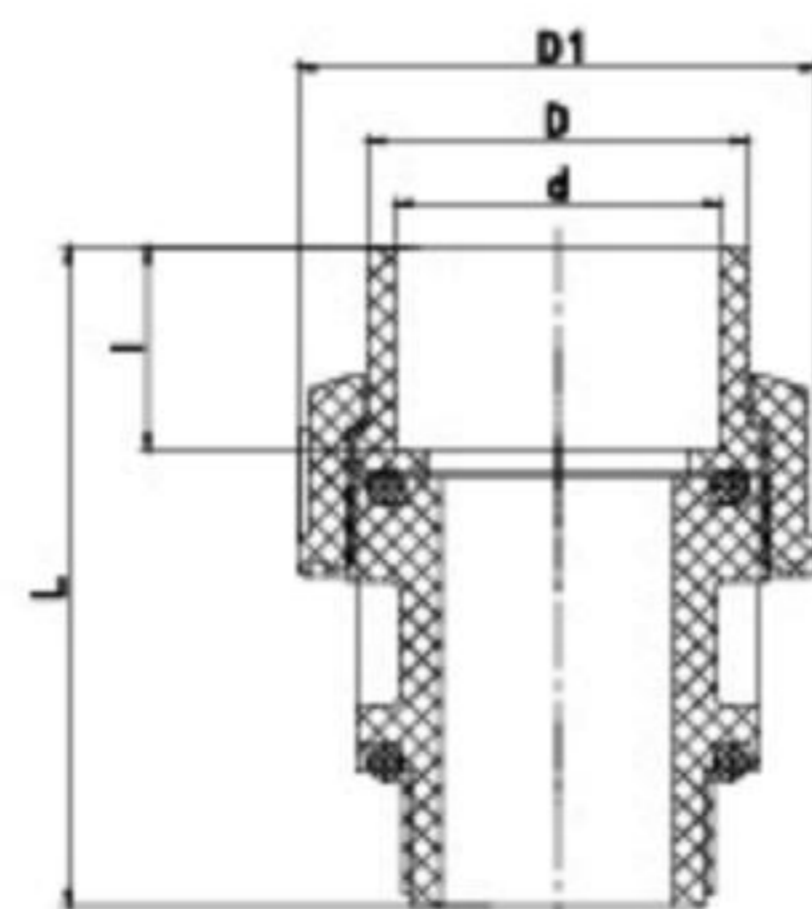


ITEM NO: UWF02

ONE WAY FAUCET TYPE III WITH NOZZLE

Dimensions

	A	B	L1	L2	H1	H2
15mm(1/2")	13.5	14	48.9	83.59	58.75	102.47

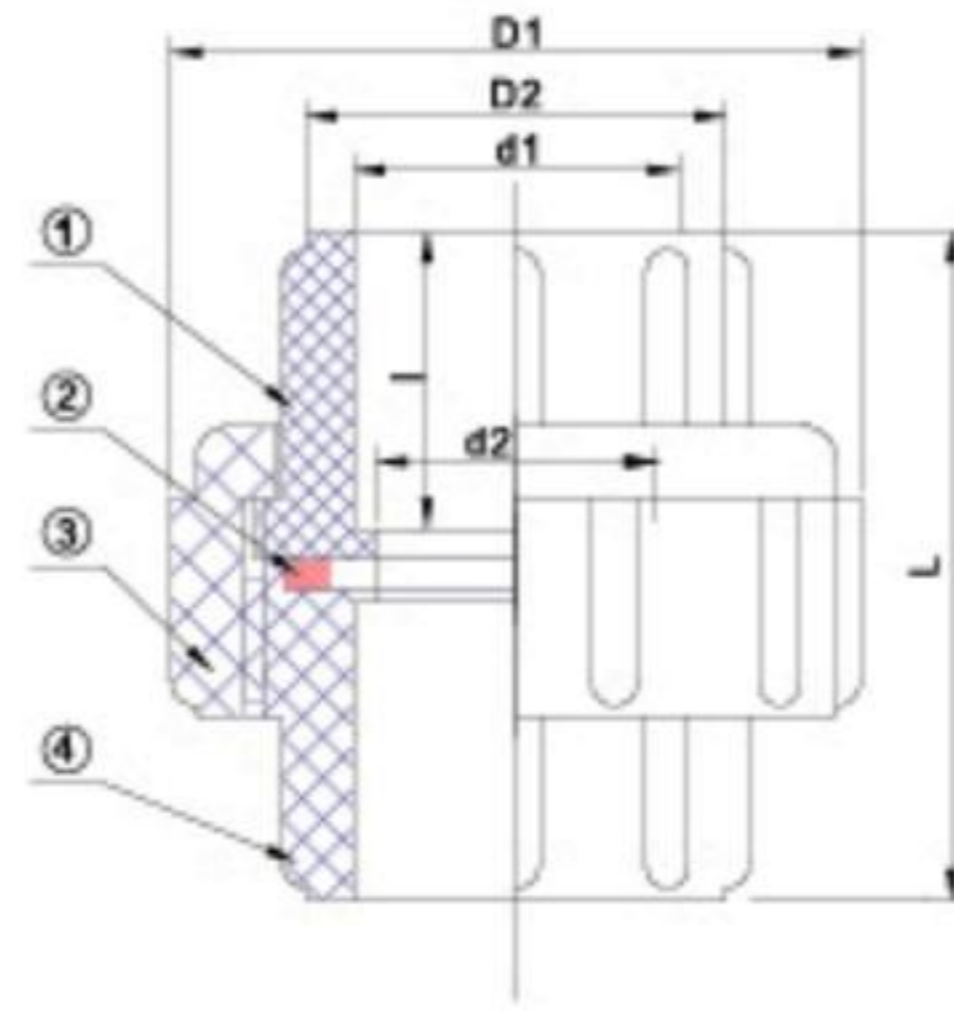


ITEM NO: UU002

MALE UNION

Dimensions

Nom Size	D	D1	d	L	l
20mm	29.5	43	20.3	63.3	17
25mm	37	53	25.3	72.3	14
32mm	43	57	32.4	75.1	23
40mm	55	72	40.4	93.1	33
50mm	58.8	80.1	50.4	102	31.5
50mmX2"	58.8	80.1	50.4	31.5	31.5
63mm	73.7	99.5	63.4	113.5	38

**ITEM NO:UU001**

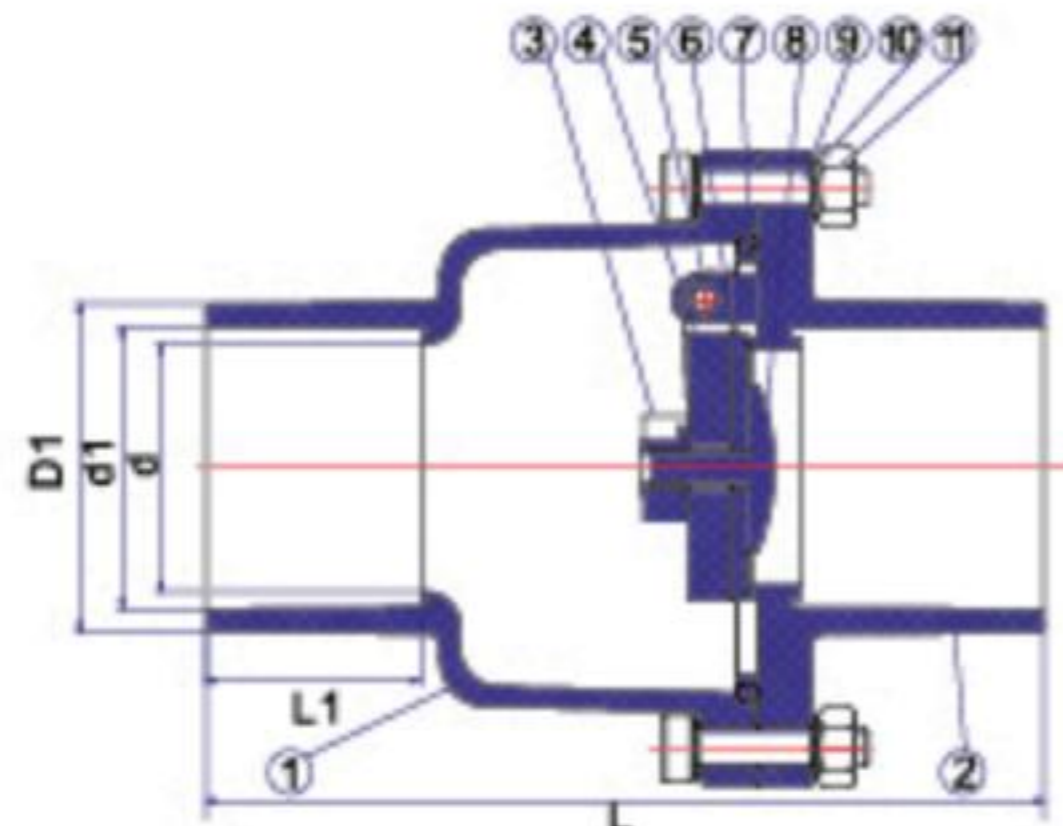
- END CONNECTOR: THREAD, SOCKET
- WORKING PRESSURE:150 PSI

UNION**Specification of material**

NO.	PART	MATERIAL	Q'TY
1	End Connector	PVC,CPVC	1
2	O-Ring	EPDM,FPM(NBR)	1
3	Union Nut	PVC,CPVC	1
4	Body	PVC,CPVC	1

UNION**Dimensions**

Nom Size	NPT Thd./in	BSPT Thd./in	JIS d1	BS d1	ANSI d1	DIN d1	d2	D2	D1	I	L
15mm(1/2")	14	14	22	22	21.34	20	14	29.20	50.6	20.5	48
20mm(3/4")	14	14	26	26	26.67	25	19	34.5	56.7	22	53.6
25mm(1")	11.5	11	32	34	33.4	32	24	42.6	66.5	28	63
32mm(1 1/4")	11.5	11	38	42	42.16	40	32	52	81	30	72.6
40mm(1 1/2")	11.5	11	48	48	48.26	50	40	59	86.8	34.5	85
50mm(2")	11.5	11	60	60	60.33	63	45	72.1	105.8	40	103
65mm(2 1/2")	8	11	76	76	73.03	75	60	90	129	40	109
80mm(3")	8	11	89	89	88.9	90	80	103.5	145.5	48	125.5
100mm(4")	8	11	114	114	114.3	110	100	132.5	175	60	160
150mm(6")	/	/	/	/	165.2	157.3	153.5	189.8	241.5	76.7	187.4

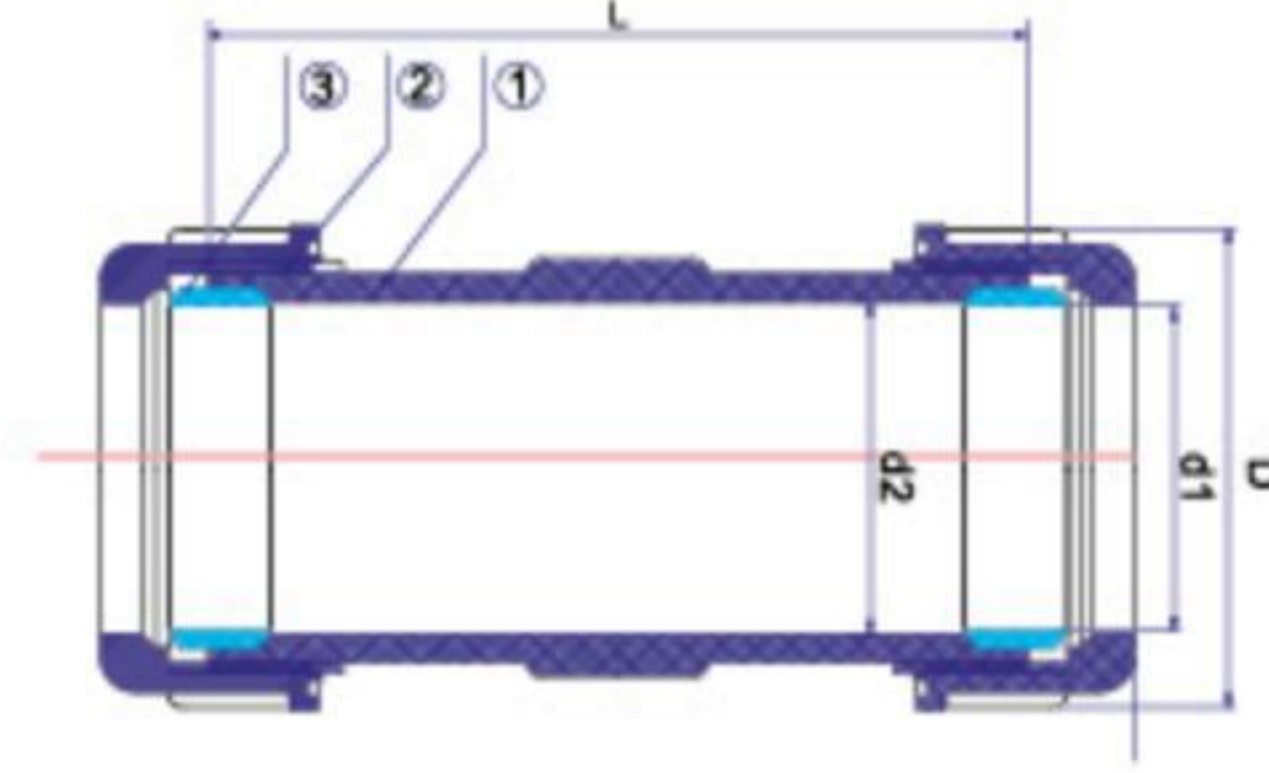
**ITEM NO:USV01****SWING CHECK VALVE****Specification of material**

NO.	PART	MATERIAL	Q'TY
1	Exit Body	PVC	1
2	Entrance Body	PVC	1
3	Gate Nut	PVC	1
4	Disk	PVC	1
5	Pin	SUS304	1
6	Sheet Gasket	EPDM,FPM(NBR)	1
7	O-Ring	EPDM,FPM(NBR)	1
8	Sheet Gasket Holder	PVC	1
9	Bolt	SUS304	see table
10	Washer	SUS304	see table
11	Nut	SUS304	see table

SWING CHECK VALVE**Dimensions**

Nom Size	JIS d1	BS d1	ANSI d1	DIN d1	d	D1	L1	L	N-φe
65mm(2 1/2")	76	76	73.03	75	68.3	89	58.0	226.2	8
80mm(3")	89	89	88.9	90	83	103.6	73.0	264.4	8
100mm(4")	114	114	114.3	110	101	131.6	90.0	358	8
150mm(6")	165.0	166	168.3	160	147	182	113.0	422.4	12

PLASTIC VALVES AND FITTINGS



ITEM NO:UCC01

- SPECIFICATION:ASTM D2846 STANDARD
- WORKING PRESSURE:150PSI

COMPRESSION COUPLING

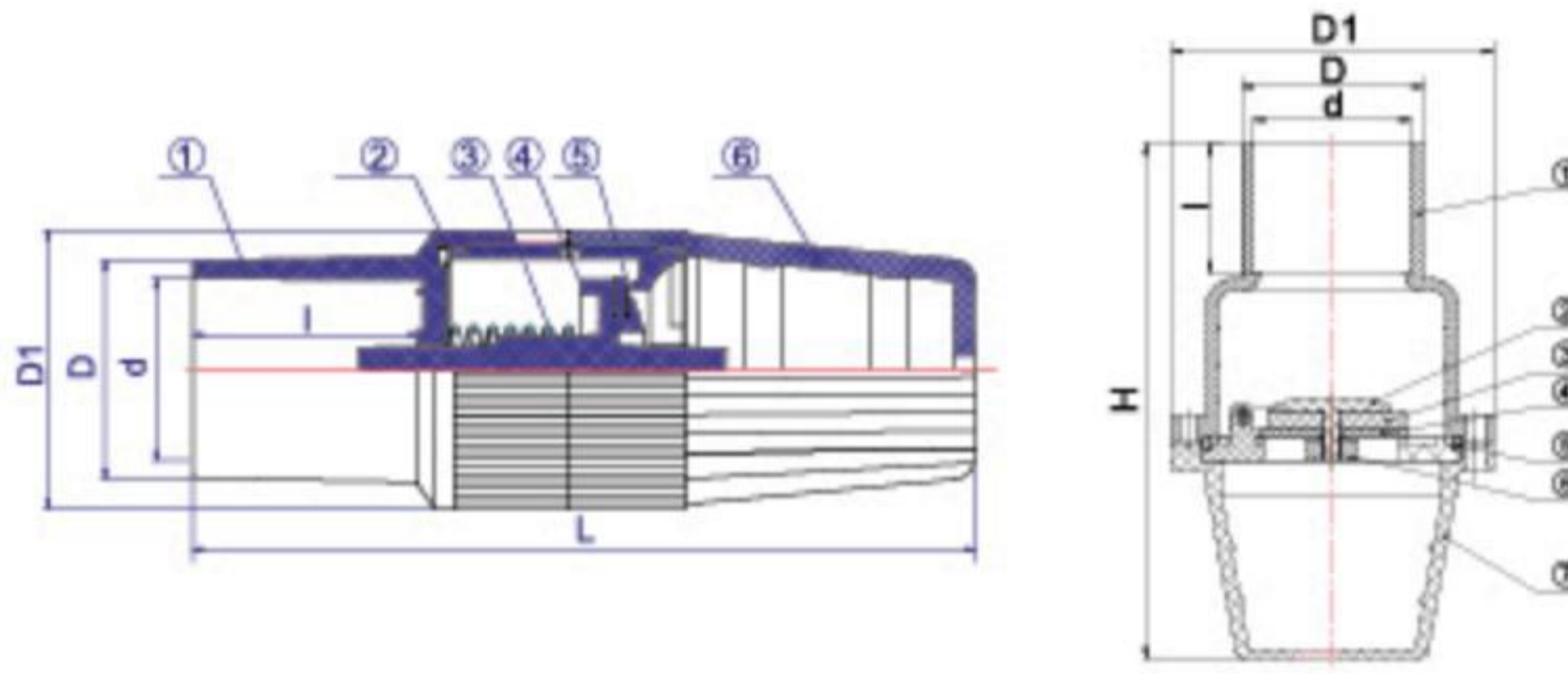
Specification of material

NO.	PART	MATERIAL	Q'TY
1	Body	PVC	1
2	Union Nut	PVC	2
3	Seat	EPDM,FPM(NBR)	2

COMPRESSION COUPLING

Dimensions

Nom Size	JIS d1	BS d1	ANSI d1	DIN d1	d2	D	L
15mm(1/2")	22	22	21.34	20	23	45.5	110.1
20mm(3/4")	26	26	26.67	25	28	53	110.1
25mm(1")	34	32	33.4	32	36	62.2	120.1
32mm(1 1/4")	42	38	42.16	40	44	69.6	129.2
40mm(1 1/2")	48	48	48.26	50	52	81	136.6
50mm(2")	60	60	60.33	63	64.5	94	159
65mm(2 1/2")	76	76	73.03	75	78	111.5	191.7
80mm(3")	89	89	88.9	90	92.7	127	221.7
100mm(4")	114	114	114.3	110	117.2	156.7	251.7
160mm(6")	-	-	170	-	175	224	293



ITEM NO:UFV01

- END CONNECTOR: THREAD, SOCKET
- MATERIAL:PVC

FOOT VALVE

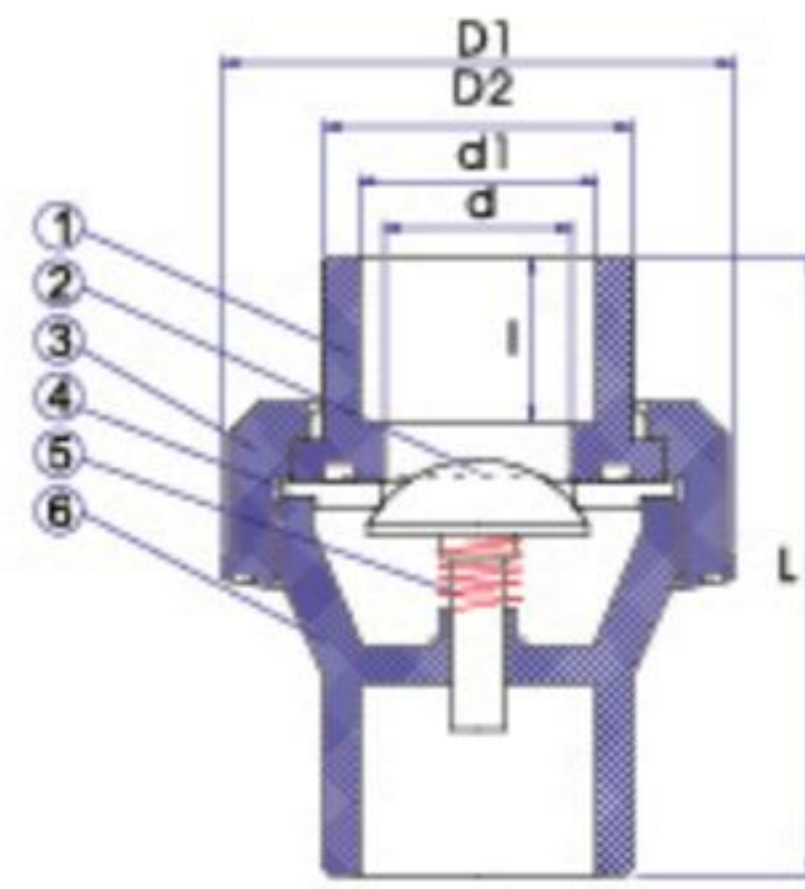
Specification of material

NO.	PART	MATERIAL	Q'TY
1	Body	PVC	1
2	Connector	EPDM,FPM(NBR)	1
3	Spring	STAINLESS STEEL	1
4	Gate	PVC	1
5	Seal	EPDM,FPM(NBR)	1
6	Body	PVC	1

FOOT VALVE

Dimensions

Nom Size	NPT Thd./in	BSPT Thd./in	JIS d	BS d	ANSI d	DIN d	D	D1	I	L	
15mm(1/2")	14	14	22	22	21.34	20	31.0	43.7	31.0	137.0	
20mm(3/4")	14	14	26	26	26.67	25	35.5	43.7	32.5	141.0	
25mm(1")	11.5	11	32	34	33.4	32	41.9	43.7	32.8	141.0	
32mm(1 1/4")	11.5	11	38	42	42.16	40	51.0	78	35.0	195.3	
40mm(1 1/2")	11.5	11	48	48	48.26	50	60.3	78	56.0	217.4	
50mm(2")	11.5	11	60	60	60.33	63	72.5	78	57.0	217.4	
75mm(2 1/2")	8	11	76	76	73.03	75	90	171.6	73.5	293.4	
90mm(3")	8	11	89	89	88.9	90	76.4	183.8	58.2	252	
110mm(4")	8	11	114	114	114.3	110	115	216	91	360	
125mm							125.6	142.4	232.6	95	386.47
140mm							140.6	159	246.5	105	430
160mm(6")	8	11	165	168.3	168.3	160	161	291	120	500	



ITEM NO:USU02

■ SPECIFICATION:Schedule 40

● SINGLE UNION SPRING CHECK VALVE

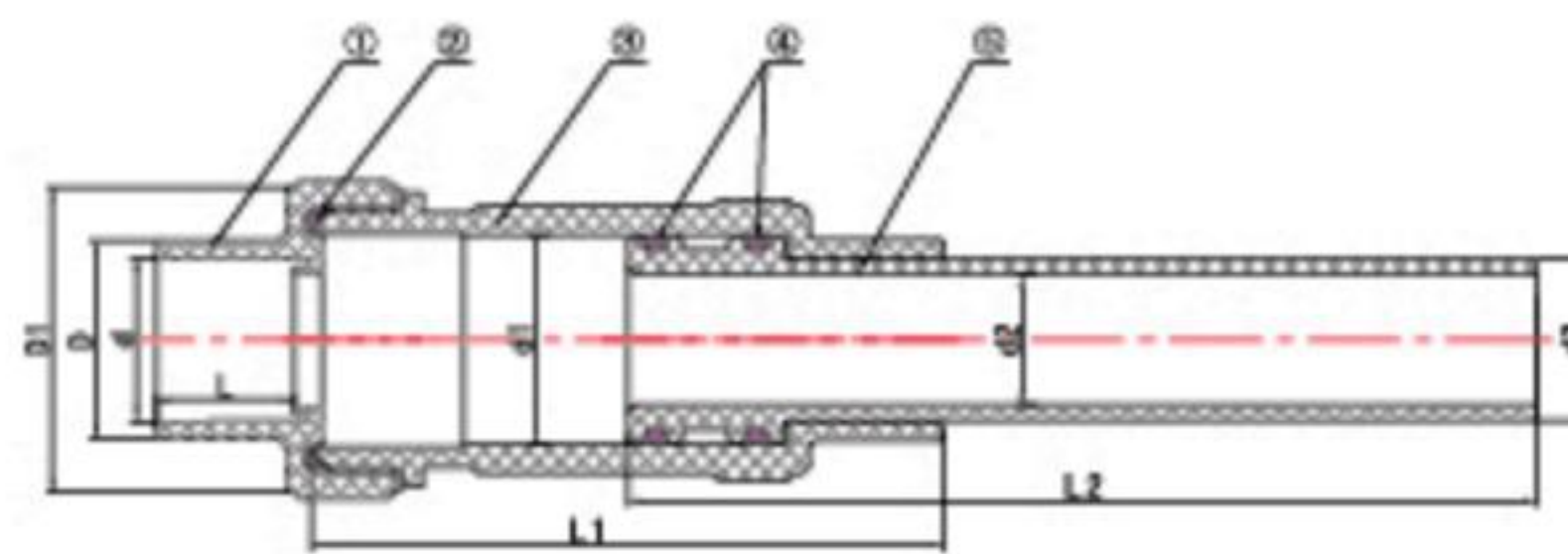
Specification of material

NO.	PART	MATERIAL	Q'TY
1	Union Connector	PVC	1
2	Gate	PVC	1
3	Union Nut	PVC	1
4	Space Seal	EPDM,FPM(NBR)	1
5	Spring	STAINLESS STEEL	1
6	Body	PVC	1

● SINGLE UNION SPRING CHECK VALVE

Dimensions

Nom Size	NPT Thd./in	BSPT Thd./in	JIS d1	BS d1	ANSI d1	DIN d1	d	D2	D1	I	L
15mm(1/2")	14	14	22	22	21.34	20	16	27.5	51.3	20.5	80
20mm(3/4")	14	14	26	26	26.67	25	19	35.5	65.5	22	86.5
25mm(1")	11.5	11	32	34	33.4	32	24	41.5	73.7	28.0	96
32mm(1 1/4")	11.5	11	38	42	42.16	40	32	51.6	86.8	30.0	105
40mm(1 1/2")	11.5	11	48	48	48.26	50	40	60.9	102	34.7	115.5
50mm(2")	11.5	11	60	60	60.33	63	49.8	75	119.8	40	141



ITEM NO:UCC03

● EXPANSION COUPLING

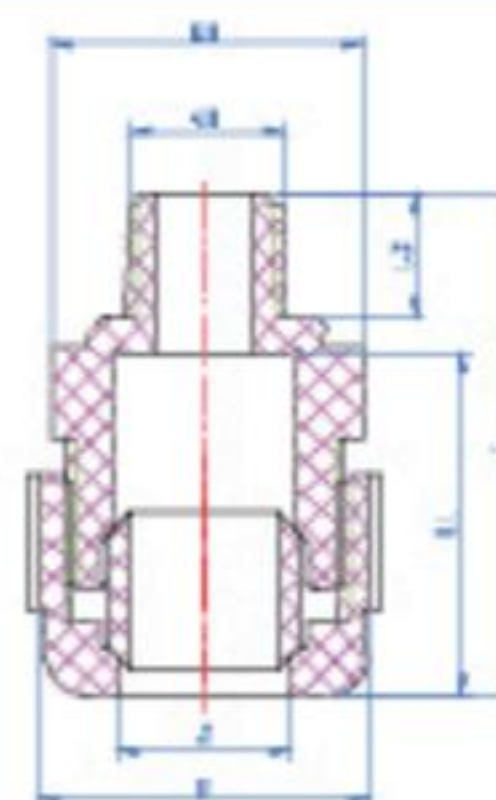
Specification of material

NO.	PART	MATERIAL	Q'TY
1	Union Nut	PVC-U	1
2	Union Nut Seal	NBR	1
3	Body	PVC-U	1
4	Core Seal	NBR	2
5	Core	PVC-U	1

● EXPANSION COUPLING

Dimensions

Nom Size	D1	D	d	d1	d2	d3	L	L1	L2
15mm(1/2")	45	27.6	21.34	27.9	16.5	21.4	23.3	95	135
20mm(3/4")	51.4	33.2	26.67	33.6	21.1	26.7	25.3	110.7	159
25mm(1")	63	40.8	33.4	43.2	26.7	33.4	28.4	130.5	187.7
32mm(1 1/4")	73.2	50	42.16	51.3	34.8	42.2	31.5	149	209.5
40mm(1 1/2")	79.8	56.6	48.26	57.6	42.2	48.3	33.3	170	233.5
50mm(2")	92	69	60.33	70.3	52.2	60.3	34.8	181	244.5
2 1/2"	105	85.5	73.4	79.8	62.3	73	46	108.38	270
3"	123.8	103	89.28	98	76.6	88.9	48.8	103.2	289.3
4"	154	129	114.68	121.6	101.1	114.3	55	107.98	316

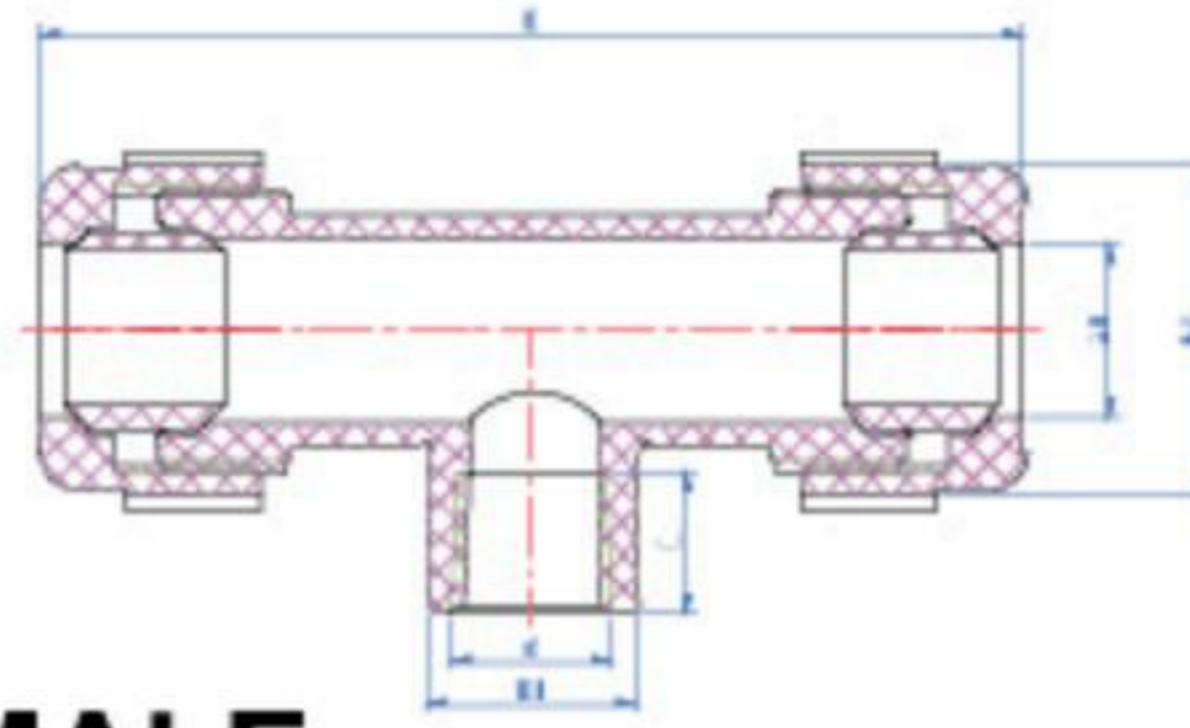


ITEM NO: UCC04

● ADAPTER, MALE X COMPRESSION

Nom Size	D	d	D1	d1	L	L1	L2
1/2"	44	23	41.8	20.69	67.32	46.32	16.5
3/4"	50.4	28.8	45.26	26.01	69.39	47.09	17
1"	56.7	34.4	50	32.59	77.11	52.11	20.5
1 1/4"	68	43.8	60	41.32	81.13	53.83	22
1 1/2"	75	50.5	68	47.38	85.48	57.98	22.5
2"	89	61.3	87.13	59.4	91.98	61.48	22.5

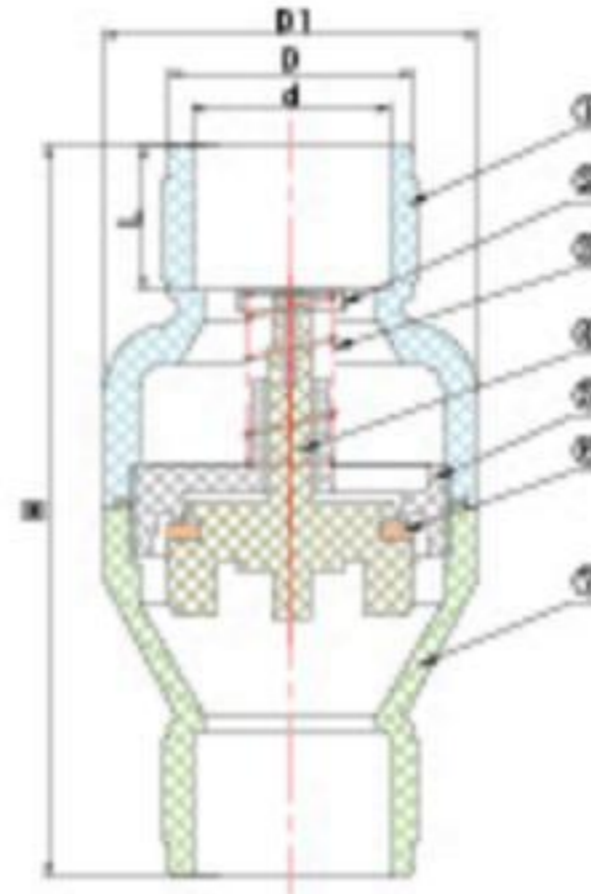
PLASTIC VALVES AND FITTINGS



ITEM NO: UCC05

TEE, COMPRESSION X FEMALE

Nom Size	D	d	D1	L	L1	L2
1/2"	132.11	1/2"	28.3	19	23	44
3/4"	138.86	3/4"	34	20	28.8	50.4
1"	150.55	1"	40.6	23	34.4	56.7
1 1/4"	160.72	1 1/4"	50	25	43.8	68
1 1/2"	174.61	1 1/2"	56.5	21.5	50.5	75
2"	191.88	2"	69.5	31.5	61.3	89
3/4"X1/2"	138.86	1/2"	28.3	19	28.8	50.4



ITEM NO:UCV01

SPRING CHECK VALVE II

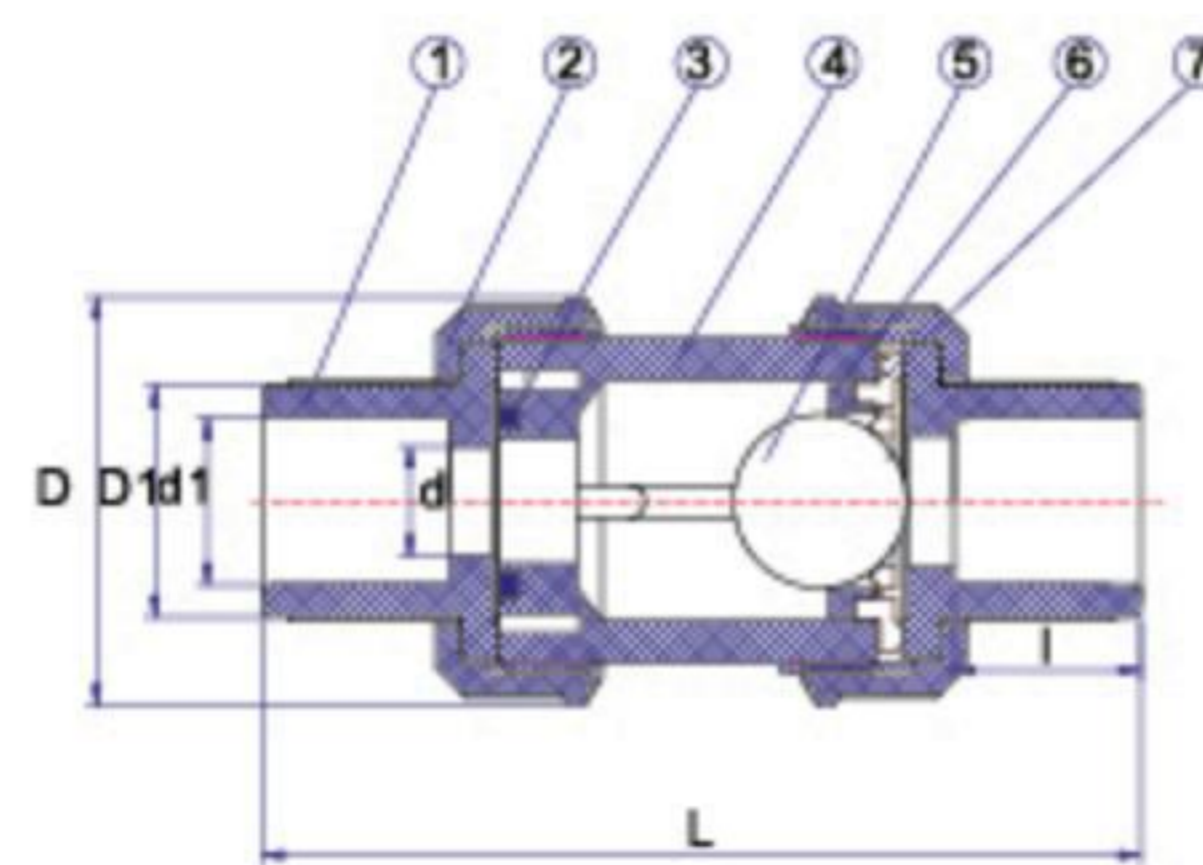
Specification of material

NO.	PART	MATERIAL	Q'TY
1	Exit body	PVC-U	1
2	Stainless Plug	STAINLESS STEEL	1
3	Spring	STAINLESS STEEL	1
4	Core	PVC-U	1
5	Core frame	PVC-U	1
6	O-Ring	NBR	1
7	Entrance body	PVC-U	1

SPRING CHECK VALVE II

Dimensions

Nom Size	D1	D	BS(d)	ANSI(d)	DIN(d)	L	H
15mm(1/2")	45.2	30.5	22	21.34	20	23	103
20mm(3/4")	45.2	35.5	26	26.67	25	27	113.6
25mm(1")	57.5	43	34	33.4	32	28	142
32mm(1 1/4")	79.6	52	42	42.16	40	30.6	156
40mm(1 1/2")	79.8	60.2	48	48.26	50	36	167.4
50mm(2")	103.6	72	60	60.33	63	40.6	194.8



ITEM NO:UBC02

BALL CHECK VALVE

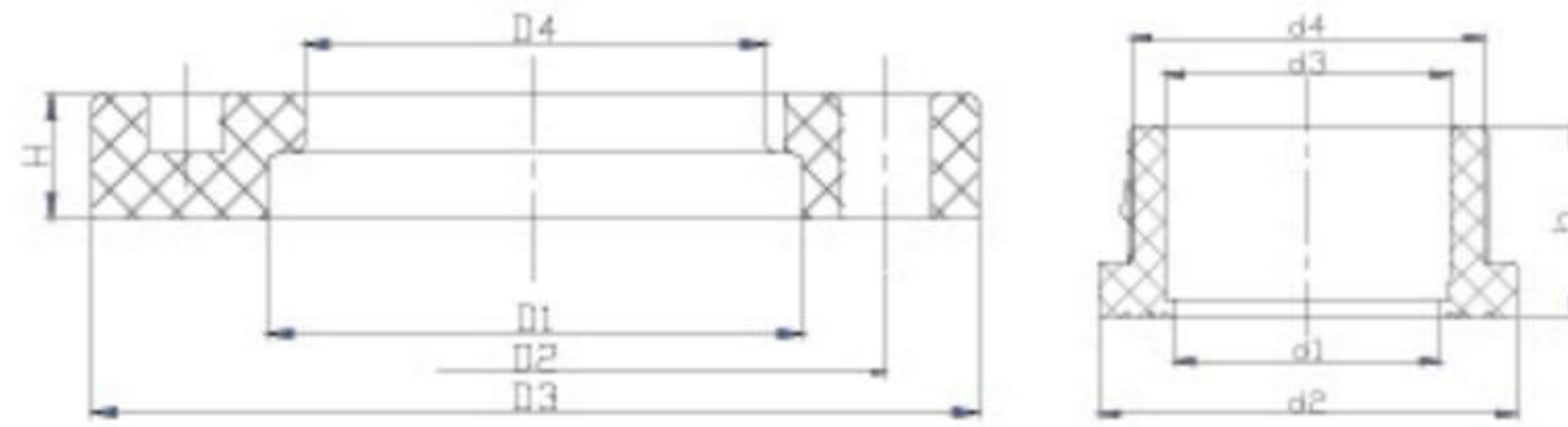
Specification of material

NO.	PART	MATERIAL	Q'TY
1	End Connector	PVC	2
2	Union Nut	PVC	2
3	Stem O-Ring	EPDM,FPM(NBR)	1
4	Body	PVC	1
5	Ball	PVC	1
6	Gland	PVC	1
7	Seat	EPDM,FPM(NBR)	1

BALL CHECK VALVE

Dimensions

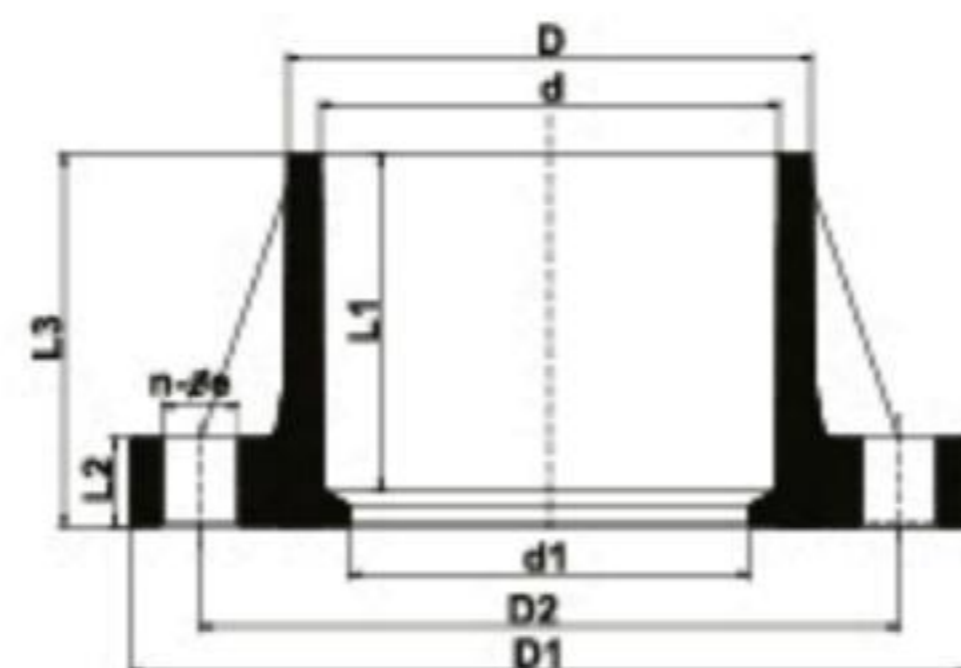
Nom Size	NPT Thd./in	BSPT Thd./in	JIS d1	BS d1	ANSI d1	DIN d1	d	D1	D	I	L
15mm(1/2")	14	14	22	22	21.34	20	15	27.5	51.3	20.5	105
20mm(3/4")	14	14	26	26	26.67	25	19.5	35.0	65.5	25	116.5
25mm(1")	11.5	11	32	34	33.4	32	25	41.6	73.7	28	130.5
32mm(1 1/4")	11.5	11	38	42	42.16	40	32	51.6	86.8	29.5	148.5
40mm(1 1/2")	11.5	11	48	48	48.26	50	40	60.9	102	34	168.5
50mm(2")	11.5	11	60	60	60.33	63	50	75	119.8	40	189



ITEM NO: UVF01
 ■ MATERIAL : PVC

● VAN STONE FLANGE

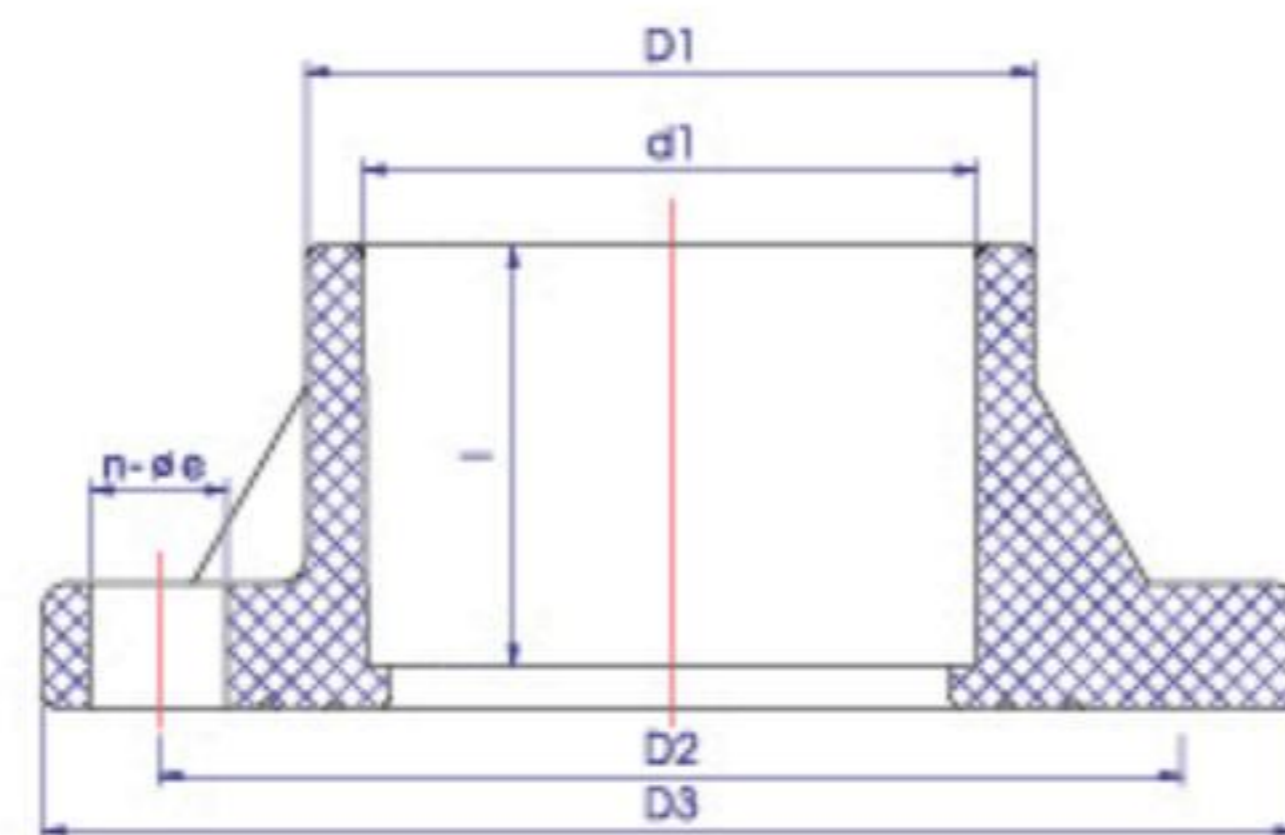
Nom Size	Dimensions									
	d1	d2	d3	d4	h	D1	D2	D3	D4	H
2"	51	91.8	58	74.6	43.5	92.5	120	152.4	77.6	20.5
2 1/2"	68	107.2	73.4	90.6	49	107.6	140	177.6	92.6	24.8
3"	77.2	119.9	89.4	107	54.9	120.6	152.5	191.4	109.4	26.4
4"	102.4	152.5	110.4	131.8	64.8	153	191	229.7	134	28.5
6"	156	206	160.5	189.2	85	207.5	241	284	192.5	32
8"	204.2	260	201	237	119	261	296	342.2	239	36.2
10"	266.3	338	273.8	305.9	135	308	362	407	/	34.5
12"	316.4	394	324.6	361.5	162	363.5	432	484	/	36.5
125	126.6	142.4	123.5	168.4	74	250	145.55	/	/	22
140	132	140.6	162	/	81	181	159	251	/	25.5
225mm	200	274	225	247.5	118	126	250	294.5	339	32
250mm	242	327	250	282	133	140	284	350	399.7	34.5
315mm	299	377	315	345	165.5	174	347.5	402.5	450.8	36.5



ITEM NO: UTF02

● JIS FLANGE

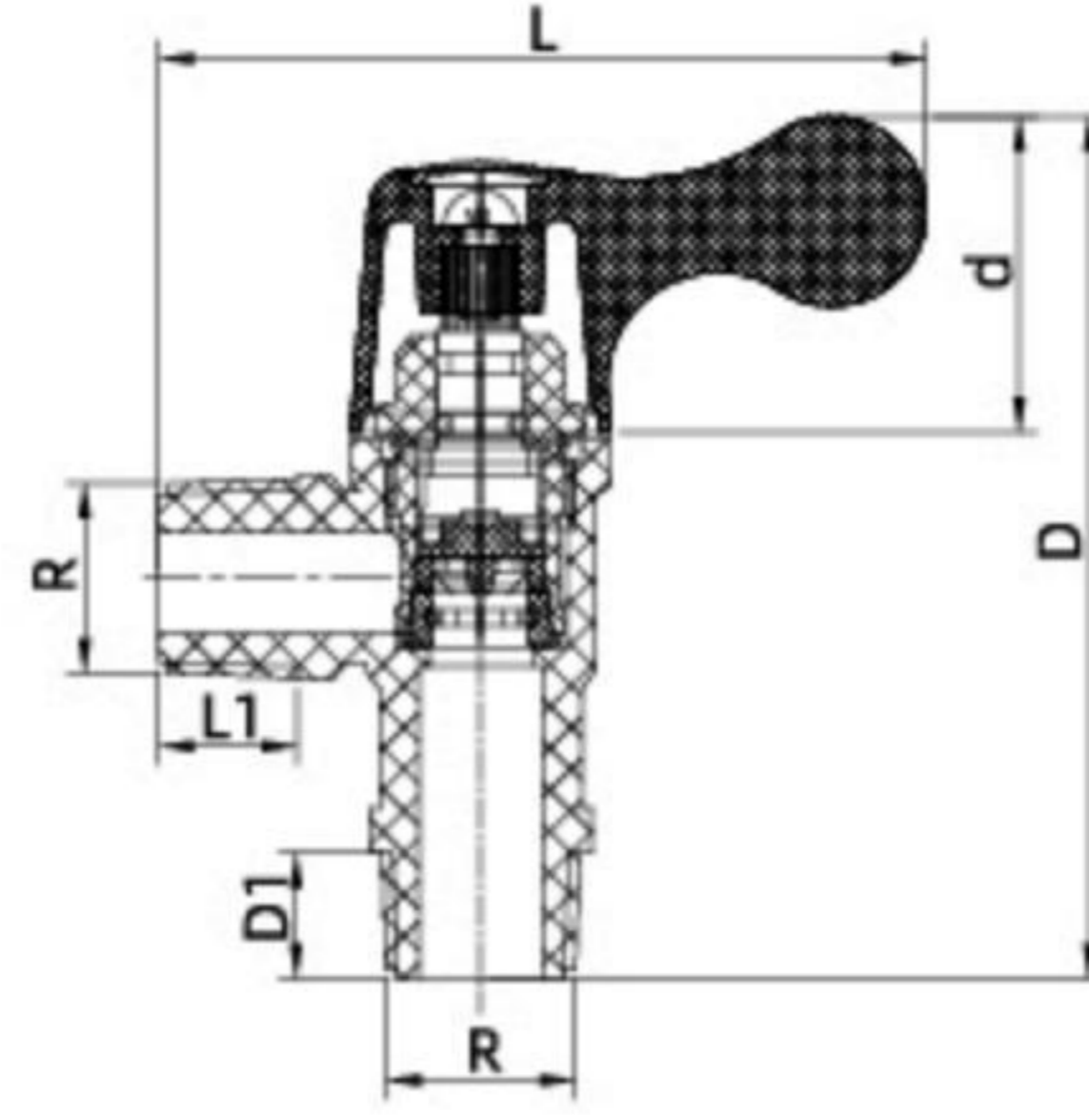
Nom Size	Dimensions											
	D	d ANSI	d DIN	d JIS	d BS	D1	D2	d1	L1	L2	L3	n-øe
3/4"	35.3	26.67	25	26	26	100	75	22	35	15	40	4-ø15
1"	43	33.4	32	32	34	125	89	25	40	15	46	4-ø19
1 1/4"	49	42.16	40	38	42	135	100	30	44	16	50.5	4-ø19
1 1/2"	60.5	48.26	50	48	48	140	105	41	55	16	61.5	4-ø19
2"	73.5	60.33	63	60	60	155	120	52	63	20	71	4-ø19
2 1/2"	90.5	73.03	75	76	76	175	140	67	61	22	70	4-ø19
3"	105.5	88.9	90	89	89	185	150	78	64	22	73	8-ø19
4"	131	114.3	110	114	114	210	175	100	83.5	22	95	8-ø19



ITEM NO: UTF01
 ■ 235PSI MAXIMUM INTERNAL PRESSURE RATING @73° F
 ■ MATERIAL : PVC

● TS FLANGE

Nom Size	Dimensions									
	D1	D2	D3	d1 DIN	d1 ANSI	d1 JIS	d1 BS	L	n-øe	
1/2"	30	60.5	89	20	21.34	22	22	22	4-16	
3/4"	34	70.5	98	25	26.67	26	26	23.5	4-16	
1"	42.5	79.5	108	32	33.4	32	34	25.5	4-16	
1 1/4"	52	89.5	118	40	42.16	38	42	32	4-16	
1 1/2"	61.5	98.5	127	50	48.26	48	48	32.5	4-19	
2"	76	120.5	151.5	63	60.33	60	60	35.8	4-19	
2 1/2"	89.5	139.5	177.3	75	73.03	76	76	41	4-19	
3"	107.5	152.5	191	90	88.9	89	89	48.5	4-19	
4"	130.5	190.5	228.5	110	114.3	114	114	58.5	8-19	
5"	165	210	250	140	141.3	140	140.8	104	8-23	
6"	188	240	280	160	168.3	165	168.3	132	8-23	
8"	238	296	330	200	219.1	216	219.1	136	12-23	
10"										

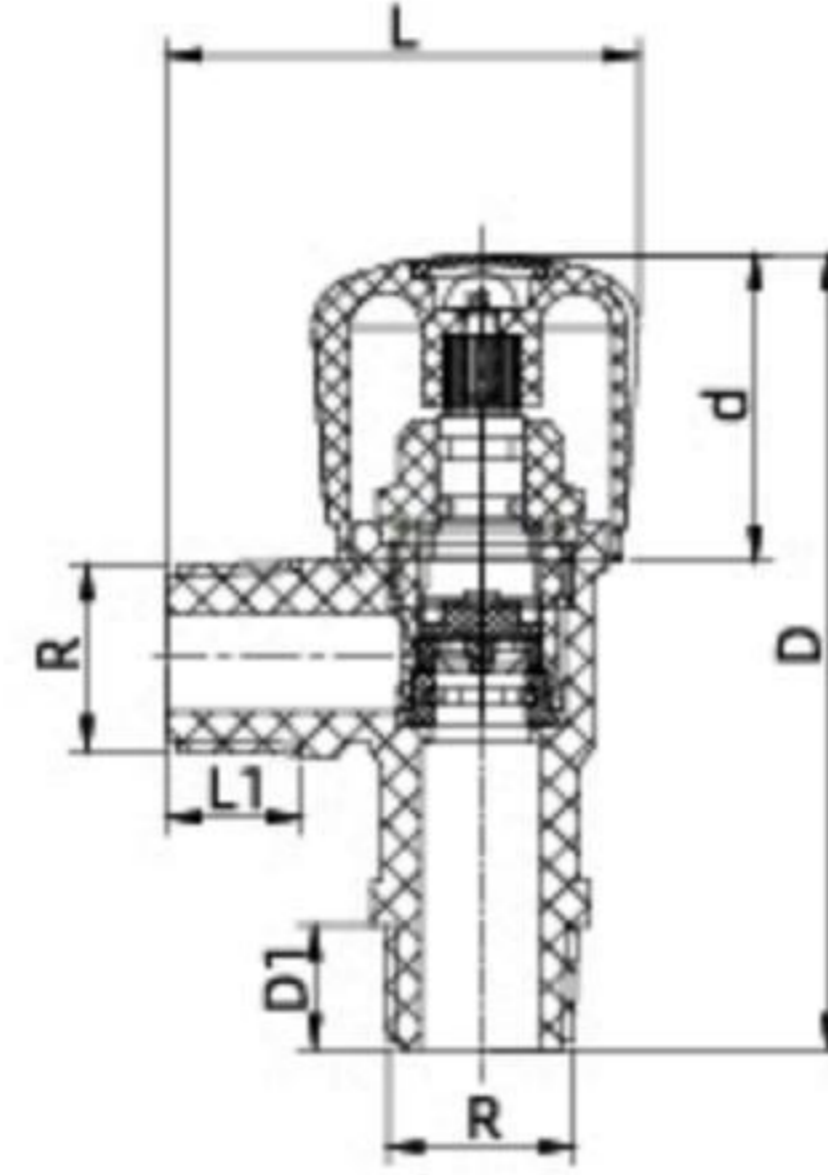


ITEM NO: UWF06

● PVC ANGLE VALVE

Dimensions

Nom Size	d	D	D1	L	L1	R
1/2"	34	92.8	13.6	82.6	14.8	1/2

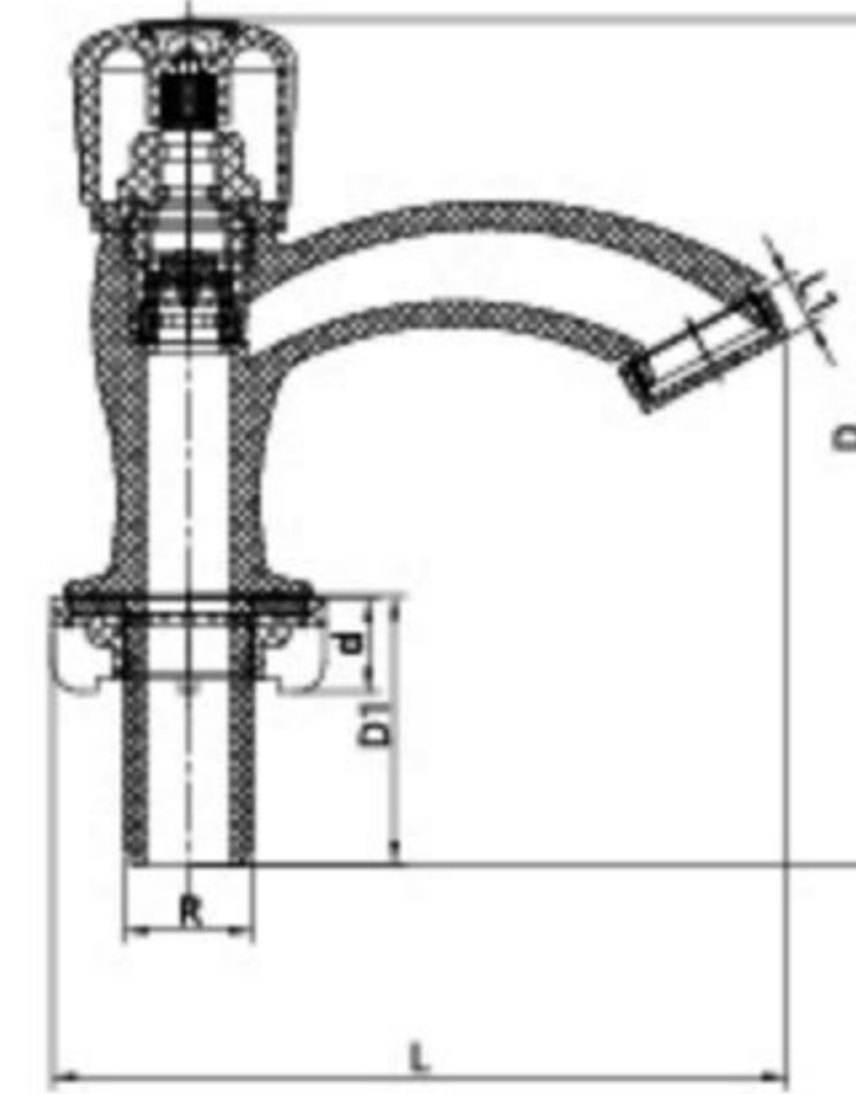


ITEM NO: UWF07

● PVC ANGLE VALVE

Dimensions

Nom Size	d	D	D1	L	L1	R
1/2"	33.8	87.6	13.6	52	14.8	1/2

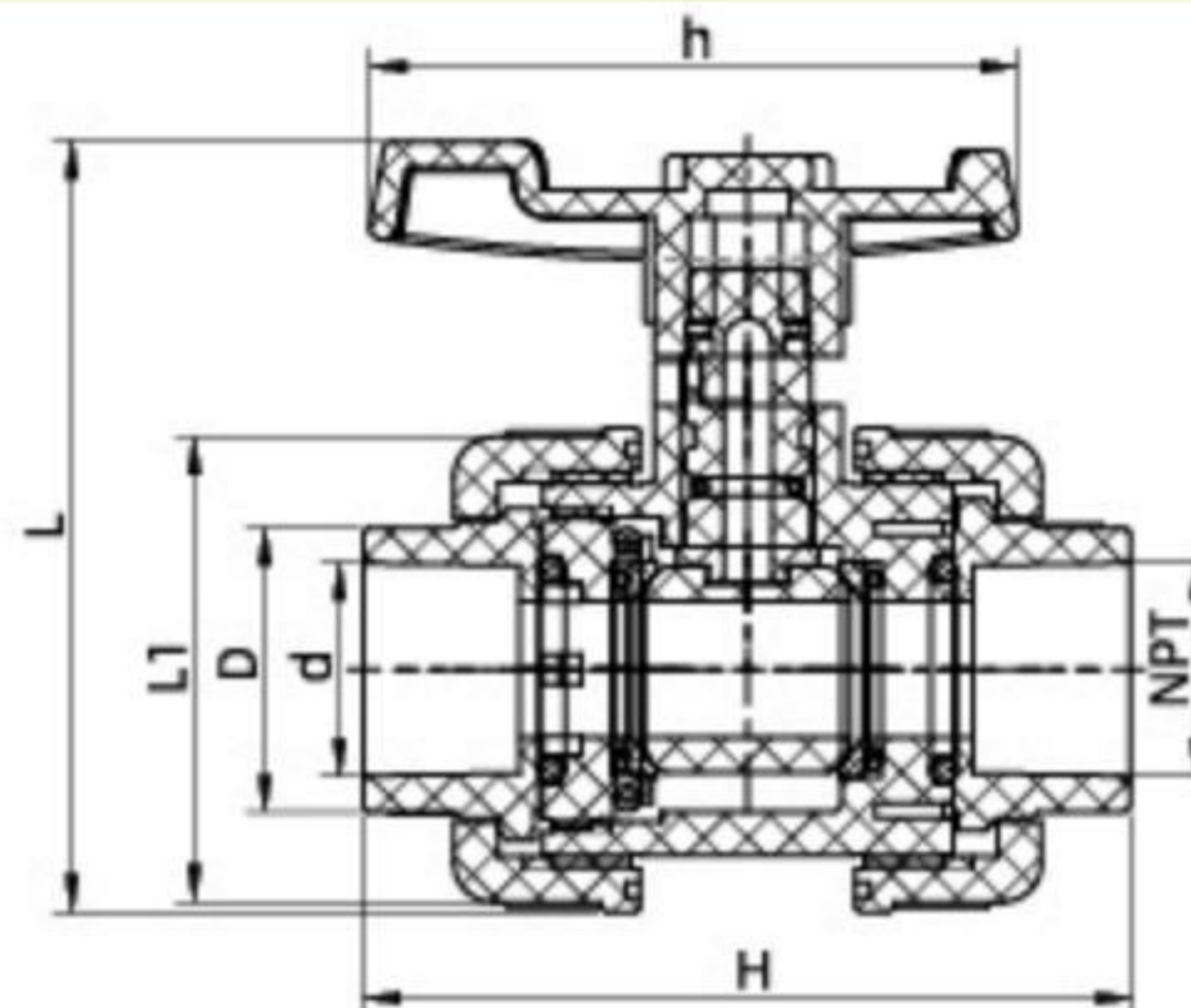


ITEM NO: UWF08

● PVC FAUCET TAP

Dimensions

Nom Size	d	D	D1	L	L1	R
1/2"	15	136.6	43.4	118.8	8.4	1/2

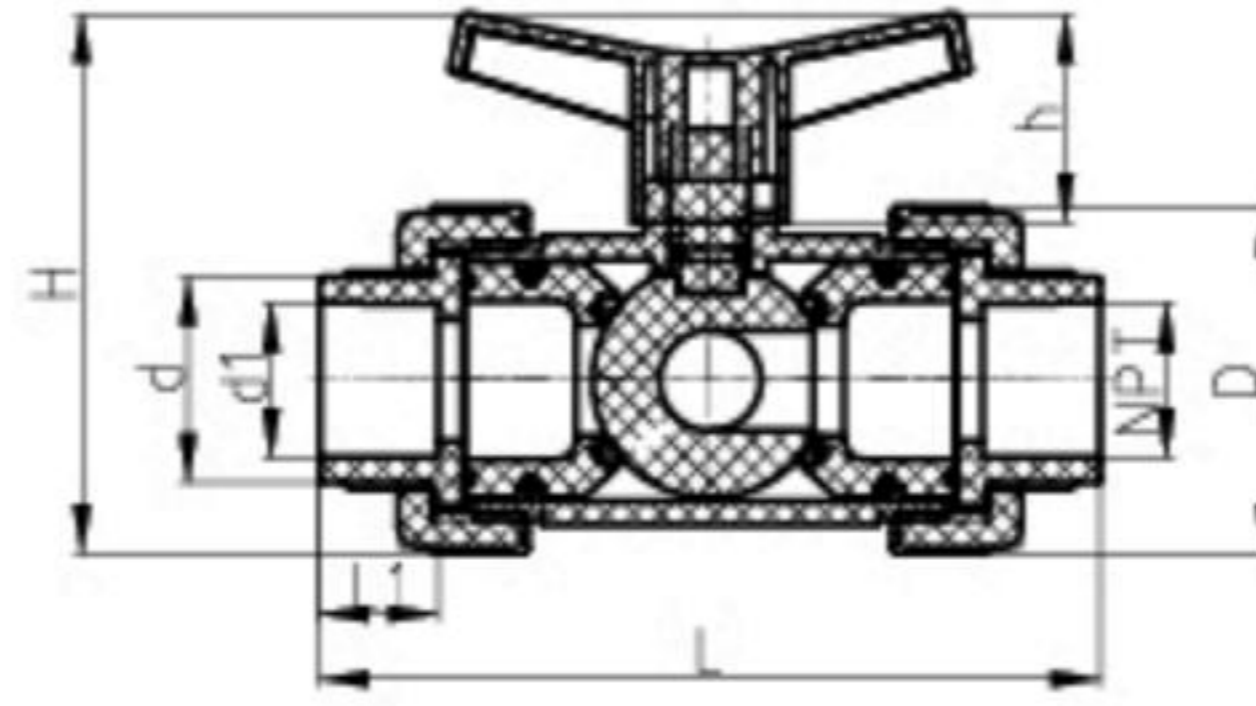


ITEM NO: UTB04

● II PVC TRUE UNION BALL VALVE

Dimensions

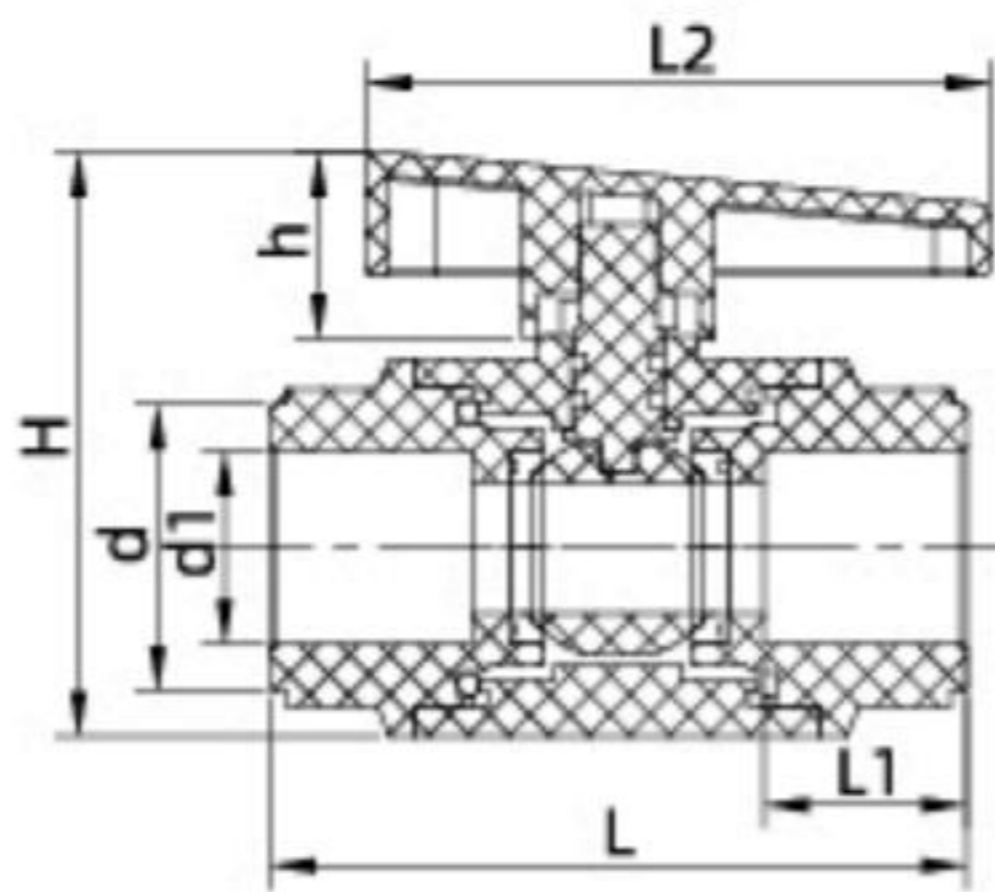
Nom Size	NPT Thd./in	BSPT Thd./in	JIS d1	BS d1	ANSI d1	DIN d1	D	d	L	L1	H	h
15mm(1/2")	14	14	22	22	21.34	20	29	21.7	78.8	47.5	78.6	66.2
20mm(3/4")	14	14	26	26	26.67	25	35	27.2	88.8	58.1	88.4	76.2
25mm(1")	11.5	11	32	34	33.4	32	42.9	32.4	100.6	65.5	101.6	86.8
32mm(1 1/4")	11.5	11	38	42	42.16	40	52	40.4	127.2	80	128.2	109.9
40mm(1 1/2")	11.5	11	48	48	48.26	50	62	48	136.1	91.1	142.2	136.1
50mm(2")	11.5	11	60	60	60.33	63	75.7	60.5	160.6	112.1	168.5	144.9
65mm(2 1/2")	8	11	76	76	73.03	75	87.7	75.5	200	135.6	217	181.7
80mm(3")	8	11	89	89	88.9	90	105.7	90.5	228.3	163	242	207.3
100mm(4")	8	11	114	114	114.3	110	75.7	60.5	160.6	112.1	168.5	144.9



ITEM NO: UTV01

3-WAYS BALL VALVE

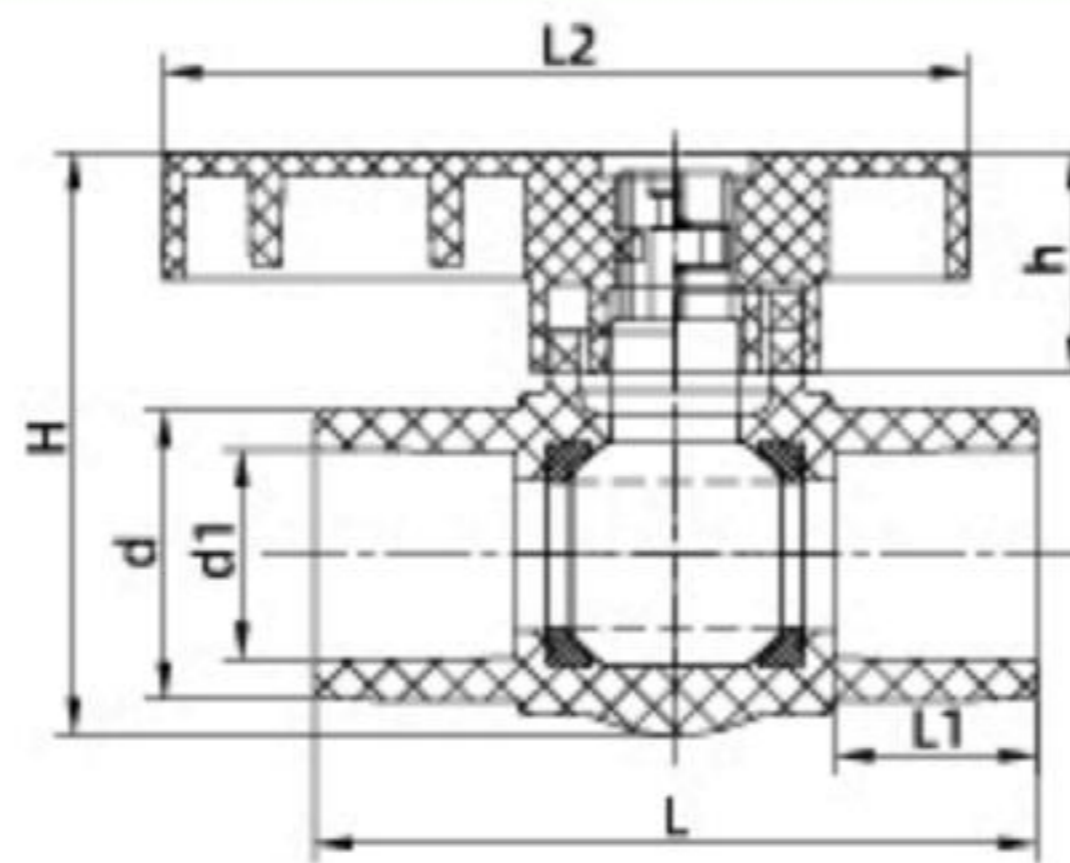
Nom Size	d	d1	D	L	L1	H	Dimensions	
							h	NPT
25	33.6	25.3	56.7	127.8	19.4	88.2	34	3/4"
32	41.5	32.4	67	146.8	22	102.8	37.31	1"
40	51.8	40.4	80.8	172	26.2	114.8	38.6	1-1/4"
50	62.7	50.5	102.4	208	32.4	148.4	49.2	1-1/2"



ITEM NO: UCB07

PVC THREE PCS BALL VALVE

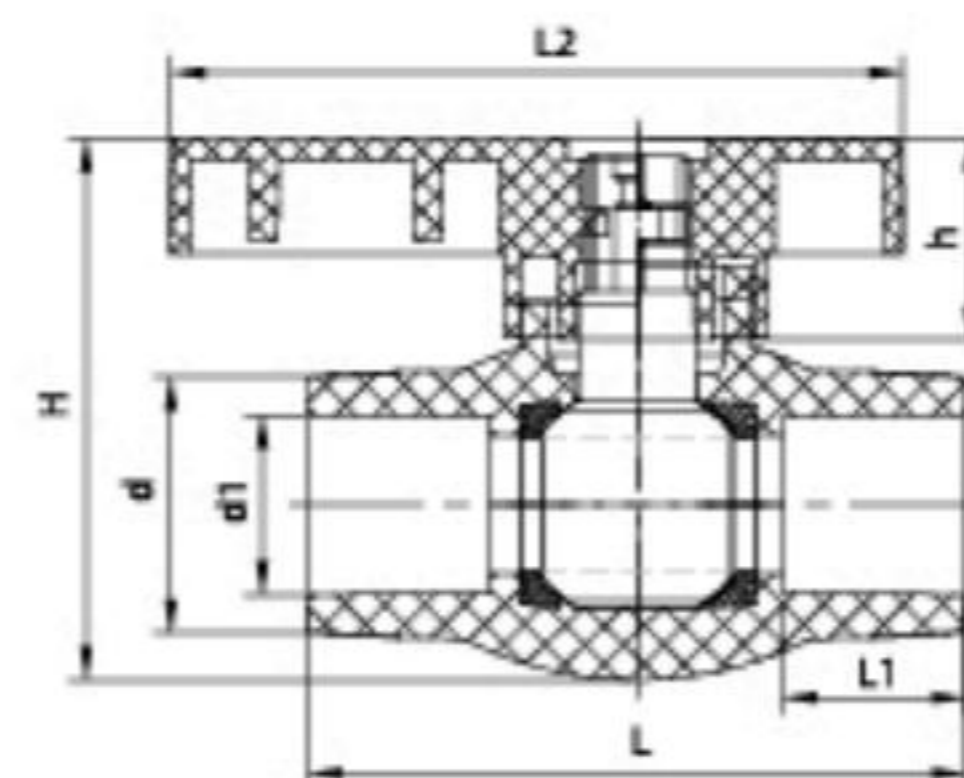
Nom Size	d	d1	L	L1	L2	H	h
1/2"	32	21.7	77.9	22.6	70	65.3	20.8
3/4"	36	26.9	106.2	31.2	80	76	24.2
1"	43	33.6	116.5	35	90	83.4	23.9
1-1/4"	53	40.4	127	35	100.2	101.4	29.2
2"	74.7	63.4	147.8	37.8	130.3	135.9	33.8



ITEM NO: UCB08

PVC OCTAGONAL COMPACT BALL VALVES

Nom Size	d	d1	L	L1	L2	H	h
1/2"	29.7	21.5	74	20.5	82.5	59.8	22.7
3/4"	36.2	26.9	78	21	89.5	71.6	27.1
1"	42.4	33.7	88	22	102.9	82.9	28.5
1-1/4"	53	42.5	105	26	123	97.6	30.9
1-1/2"	60	48.6	124	32	148	108	32.5
2"	74	60.5	143	37	148	129.8	40



ITEM NO: UCB02

LUXURY COMPACT BALL VALVE

Nom Size	d	d1	L	L1	L2	H	h
1/2"	28.8	20.3	74	20.5	82.5	61.1	22.7
3/4"	35	25.3	78	21	89.5	72	27.1
1"	42.5	33.6	88	22	102.9	92.2	28.5
1-1/4"	53	40	105	26	123	97.3	30.9
1-1/2"	61	50	124	32	148	109.1	32.5
2"	74	63.5	143	37	148	130.8	40