

A photograph of a swimmer in a pool, with water splashing around them, set against a dark blue background with stylized wave patterns.

POOL, SPA, FOUNTAIN EQUIPMENT & ACCESSORIES CATALOGUE 2020

**Your global partner in high quality
and strong innovation since 1974**

ITALY, GREAT BRITAIN, SPAIN, TURKEY, UAE, INDIA, RUSSIA



“The more drops
of clean water, the
more the world will
shine in beauty”

Mother Teresa of Calcutta

MISSION

Through our production attitude, our technical skill and our knowledge in all water treatment sectors, we want to put ourselves to our customers as partner offering high quality, strong innovation, right prices and a dedicated service.

ABOUT US

Born in 1974 with water treatment component moulding, Aqua Industrial Group S.P.A. always kept an inner politic very careful to customer's needs, always looking at European and International scenario.

Starting from a little family business, today Aqua Industrial Group S.P.A. in it's San Martino in Rio Headquarters counts an area of 7000 square meters in buildings, 4000 hosting production departments and 3000 for goods moving and stocking. 4000 more are under construction to host new departments.

Two factors distinguished the work of the society in recent years, a strong attention to changing markets and a company policy aimed at the development of commercial structures in areas considered strategic for logistical and market potential. Very important

has been the experience in identifying, acquiring and integrating complementary businesses with their own, which enabled the Group to achieve significant synergies by consolidating its market leadership. Today the group Aqua is an international reality that owes its strength and its success to the work and commitment of many people. The breadth of scope and diversification of product lines in the Group, the right mix of flexibility and timeliness, have, over the years, contributed to achieving a real competitive advantage .

Aqua Industrial Group S.P.A. markets its products in approximately 100 countries around the world, makes use of all subsidiaries directly controlled, while where it is present with own subsidiaries, distribution is through independent distributors.

ETHICS

"Go on wasting words and chances, but don't waste water " Guido Ceronetti, "La fragilità del pens are"

When we decided water would be the focus of our business, it was clear we had only to do it with dedication. Absolutely and honestly. With the awareness of who can only consider his work as part of a collective good. A huge responsibility and synergy.

It's with this spirit that the group Aqua always faces the small and the large daily challenges. It's this awareness that prompts us to follow certain absolute moral principles, in relations within the company and with suppliers and external customers. Some of these shared principles can be summarized as RESPECT. Unique and unconditional, defined as transparency, understanding and sincerity. MOTIVATION. We believe that the involvement of all the different stages of processing, leading to an affection towards the company and its work, and consequently increase the spirit of initiative and sense of responsibility In CURIOSITY. It's the most precious asset we have. It is the spirit that animated many years ago this adventure. And it's the best treatment that we know against the monotony.

ENVIRONMENT AND QUALITY

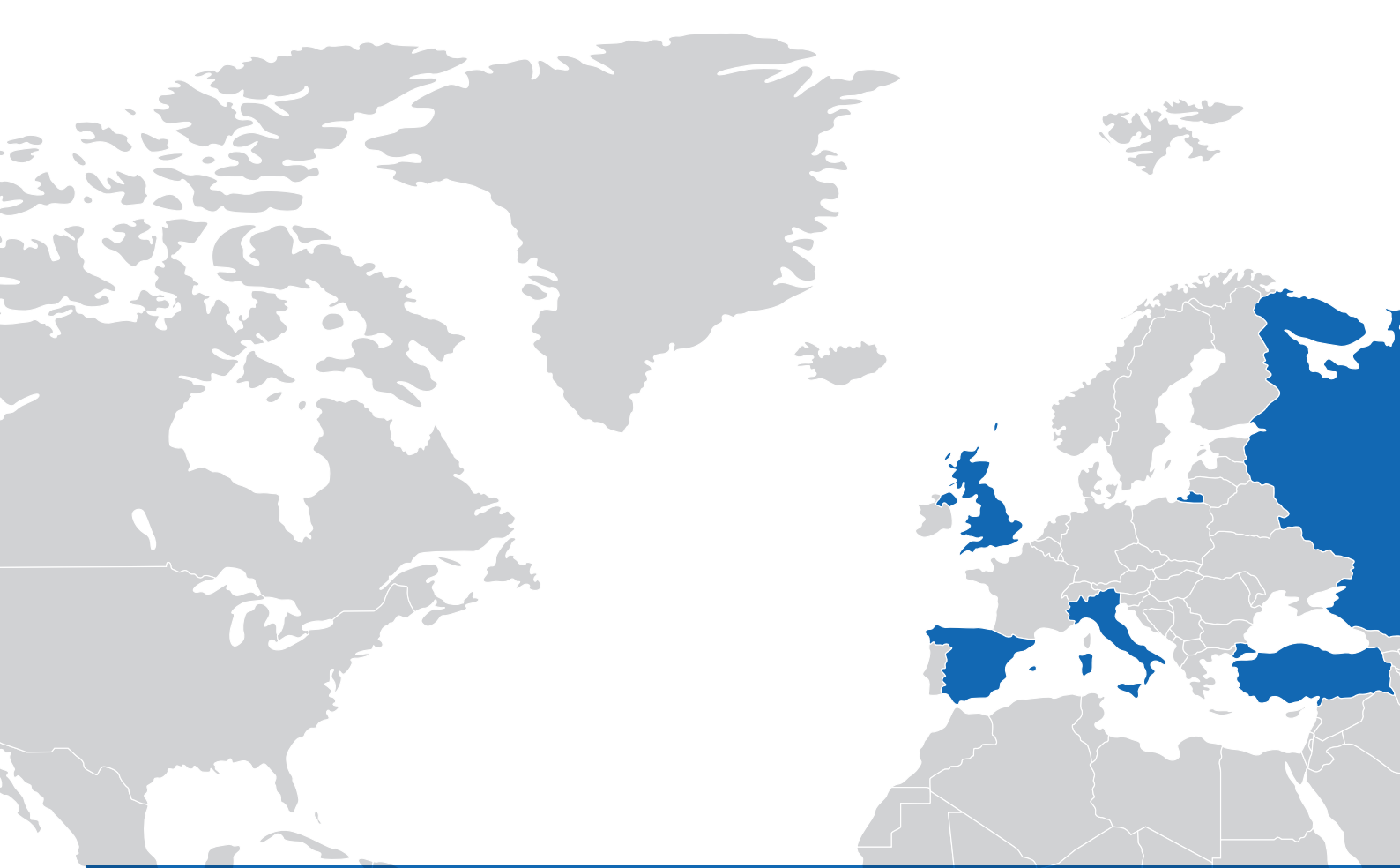
Planet heart consists of approximately 75% of water, more than any other factor that affects human life. Without water, life would not exist. The philosophy of our company is to improve our knowledge on management, resources and how to preserve this gift for years to come. AQUA exists within a group of experts that 30 years have embraced this philosophy. All Aqua products are designed and produced in accordance with global rules on health and environmental protection. Only the best raw materials are used in our production and every product is fully tested before being delivered. Our company has certified its quality system in compliance with UNI EN ISO 9001:2008 normative.

OUR SERVICES

The Aqua Industrial Group S.P.A is now an international powerhouse that owes its success and strengths to the hard work, commitment, and passion of all our people.

The extensive scope and diversity of our product lines, combined with flexibility and speed of service, have helped us achieve a real competitive advantage locally and globally.

At present, we are marketing our products in approximately 100 countries and directly managing 8 sales branches. In countries where we do not have subsidiaries, the distribution of our products and services is entrusted to carefully selected independent distributors.



An Italian company, serving clients around the world from our offices:

📍 ITALY

📍 GREAT BRITAIN

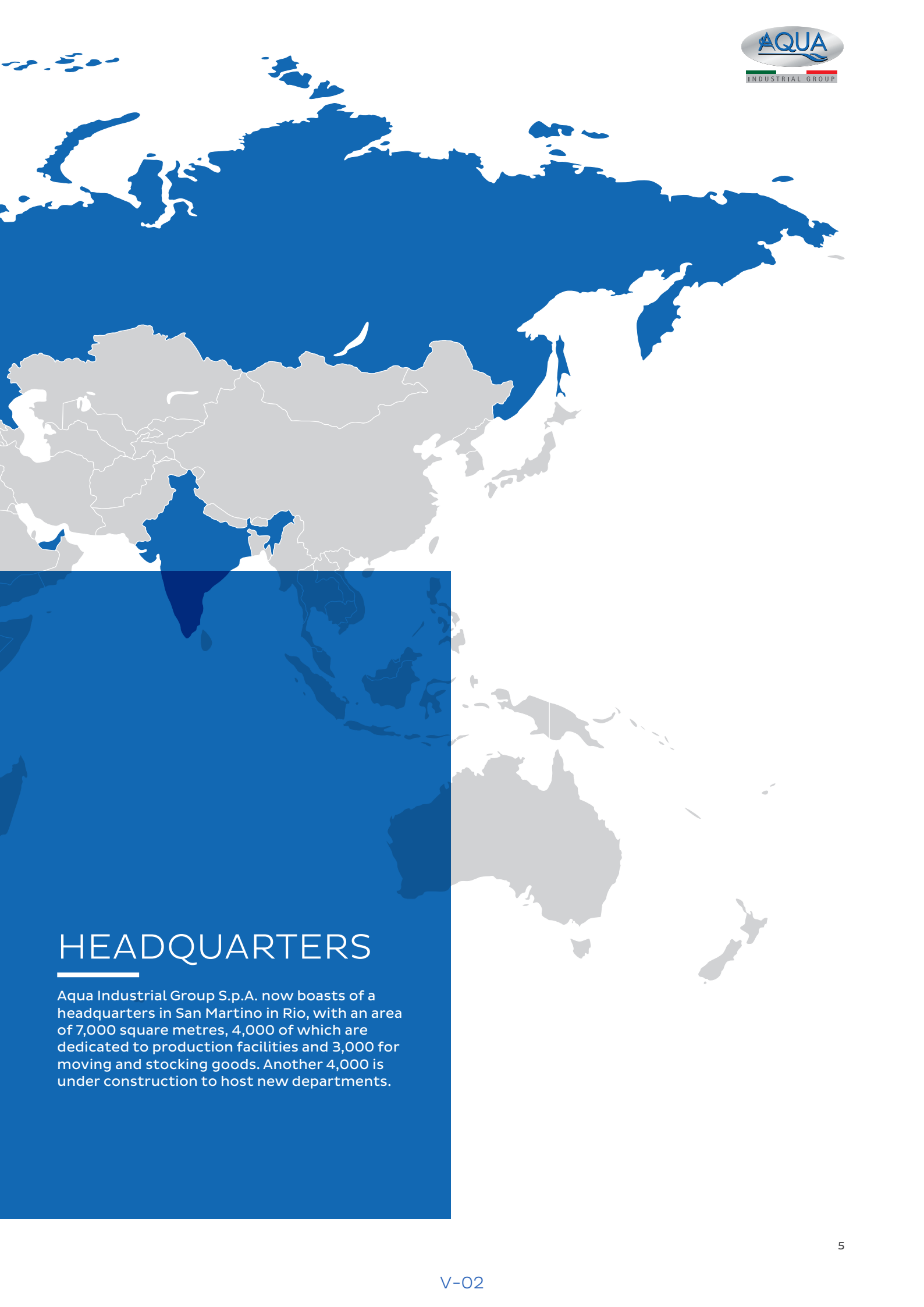
📍 SPAIN

📍 TURKEY

📍 UAE

📍 INDIA

📍 RUSSIA



HEADQUARTERS

Aqua Industrial Group S.p.A. now boasts of a headquarters in San Martino in Rio, with an area of 7,000 square metres, 4,000 of which are dedicated to production facilities and 3,000 for moving and stocking goods. Another 4,000 is under construction to host new departments.

WE ARE INDUSTRY & INNOVATION



8 FACTORIES
22.000 MQ INDOOR
8 BRANCHES
110 COUNTRIES
320 EMPLOYEES
9.526 PRODUCT CODES

**PRODUCTION
DISTRICTS**

- S. MARTINO IN RIO (RE) - RIETI
- BANGALORE IND



Industrial power

WE'VE A SPECIAL FUTURE



40 INJECTION MOLDING MACHINES FROM 50 TO 1.700 T.

698 PROPRIETARY MOLDS

12 EXTRUDERS FOR CARTRIDGES MELT-BLOWN

20 WINDERS FOR CARTRIGES

2 WELDING MACHINES FOR THE PRODUCTION OF TANKS AND FILTERS



From
Industry
to you

INDEX

01

Pool Filtration

02

Pumps &
Counter Current

03

Pool Circulation

04

Electrical
Equipment

06

Pool Cleaning
Products

07

Chemical
Products

08

Chemical Dosing
Equipment

09

Disinfection

11

Pool Lining

12

Tiles

13

Competition
Equipment

14

Temperature
Control

16

Sauna & Steam
Rooms

17

Prefabricated
Swimming
Pools

18

Fiberglass
Swimming
Pools

19

PVC Fittings

05

Pool-Side
Equipment

10

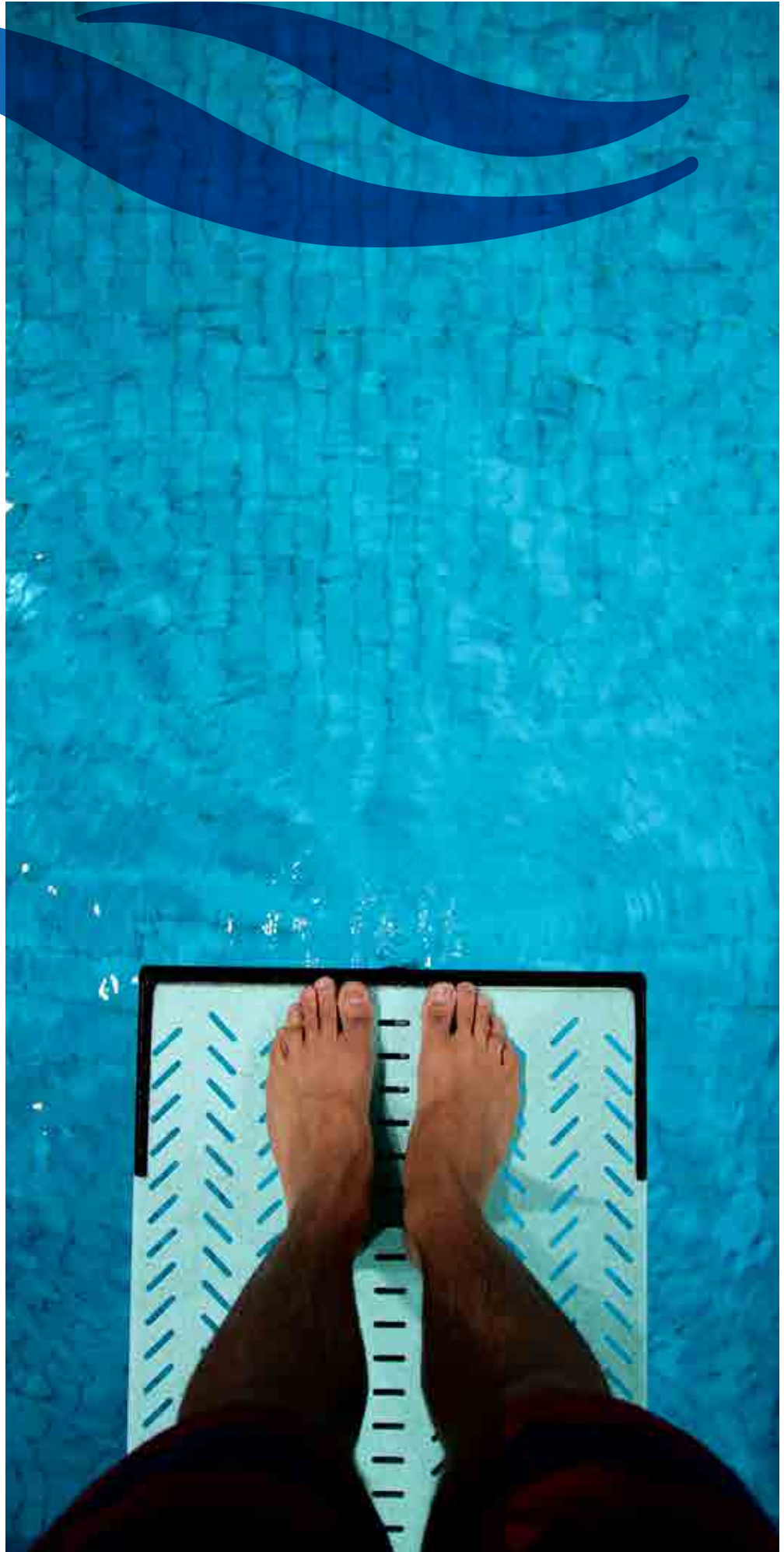
Pool Covers

15

Spas &
Accessories

20

Fountain
Nozzles





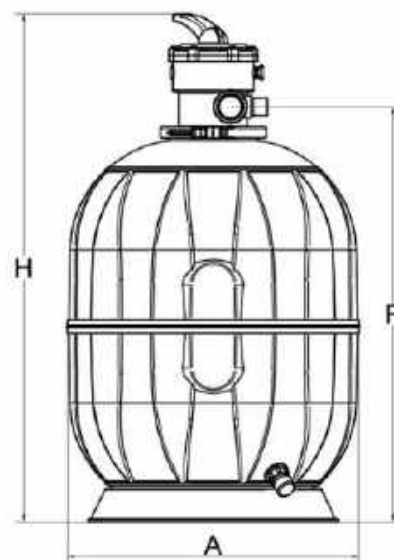
01 POOL FILTRATION

INDEX

01	INJECTED SAND FILTERS “AQUARIUS” TOP VALVE.....	14
02	INJECTED SAND FILTERS “AQUARIUS” SIDE VALVE	15
03	FILTRATION SYSTEM “AQUARIUS”	16
04	BOBBIN-WOUND SAND FILTERS “MUNICH”N	17
05	BLOW-MOLDED FILTERS “EC3000”	18
06	OCEAN GELCOAT FILTER	19
07	VERTICAL BOBBINED FILTERS.....	20
08	HORIZONTAL BOBBINED FILTERS	22
09	STAINLESS STEEL SAND FILTERS TYPE “XE”	27
10	STAINLESS STEEL SAND FILTERS TYPE “XR”	27
11	STAINLESS STEEL SAND FILTERS TYPE “XL”	28
12	HOT ZINC PLATED CARBON STEEL FILTER TYPE “ZR”.....	29
13	HOT ZINC PLATED CARBON STEEL FILTER TYPE “VL”.....	30
14	CARTRIDGE FILTER “BIG ONE”	31
15	SIX - WAY SELECTOR VALVES	32
16	AUTOMATIC VALVE “AQUASTAR COMFORT”	35
17	CONTROL PANEL FOR VALVE MANIFOLDS	37
18	VALVE MANIFOLDS.....	38
19	QUARTZ SAND	40
20	ACTIVATED FILTER MEDIA.....	41
21	ZPM - ZETA POTENTIAL MIXER 30.....	44

01 INJECTED SAND FILTERS "AQUARIUS" TOP VALVE

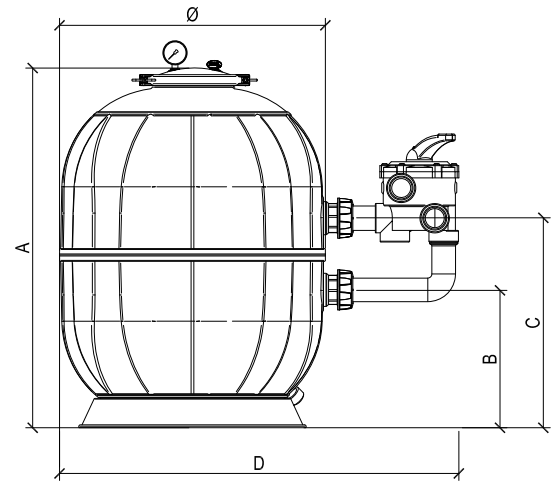
- Sand filter with 6 way selector top valve
- Totally injection molded in polypropylene
- 100% polypropylene, ball-shaped body with micro-hole pipe distribution. Supporting base of the double-ring filter to ensure stability
- Polished and glazed wedges finish
- Draining micro-hole pipe distribution
- Working pressure max. 1.5 bar, Test pressure 4 bar
- Connection filter-valve with clamping collars
- Lateral side connectors $\varnothing 50$ mm (for 1 1/4" valve)
- 3/4" filter discharge
- Constant re-productivity
- Standard: UNI 1063722006 regulation for TYPE D categories
- Warranty: 5 years



CODE	CONNECTIONS	FLOW	QUARTZ SAND				PACKING	WEIGHT	VOLUME
		(m ³ /h) V=50m ³ /h/ m ²	kg	A	F	H		kg	m ³
100100968	1 1/2"	6	75	450	600	775	2	11	0.13
100100971	1 1/2"	10	100	530	756	925	2	17	0.21
100100974	1 1/2"	14	150	620	792	960	2	20	0.31

02 INJECTED SAND FILTERS “AQUARIUS” SIDE VALVE

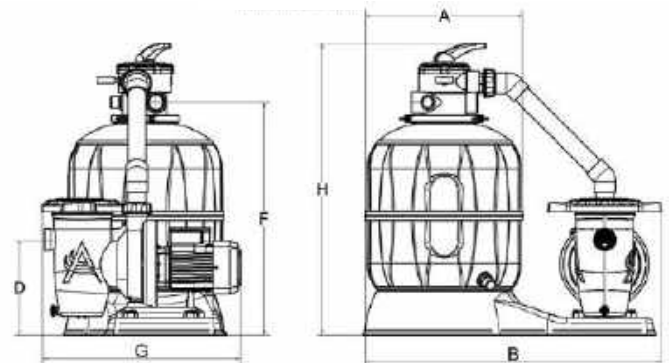
- Sand filter with 6 way selector side valve.
- Totally injection molded in polypropylene.
- Polypropylene spherical body; distribution with micro-hole pipe, anti-slip features with nozzles to ease the maintenance operations.
- Automatic air bleed with upper filter base for double-ring filter to guarantee stability lid with pressure gauge seat and manual air bleed.
- Seal is guaranteed by clamps with butterfly valves and nut maintenance does not require tools.
- Polished and glazed wedges finish
- Draining micro-hole pipe distribution
- Working pressure max. 1.5 bar, Test pressure 4 bar.
- Lateral side connectors $\varnothing 50$ mm (for 1 1/4" valve) and (2563 mm (for 2" valve).
- 3/4" filter discharge
- Standard: UNI 1063722006 regulation for TYPE D categories
- Warranty: 5 years.



CODE	Ø	CONNECTIONS	FLOW	QUARTZ SAND	DIMENSIONS				PACKING	WEIGHT	VOLUME
			(m ³ /h) V=50m ³ /h/m ²	kg	A	B	C	D		kg	m ³
100100967	450	1 1/2"	6	75	645	206	356	716	2	10	0.13
100100970	530	1 1/2"	10	100	795	281	431	730	2	16	0.21
100100973	620	1 1/2"	14	150	830	299	449	820	2	19	0.09
100100988	790	2"	22	250	1010	360	579	1102	2	29	0.61
100100908	950	2"	35	425	1025	370	570	1270	2	37	0.93

03 FILTRATION SYSTEM "AQUARIUS"

- An exclusive and unique design built with state of the art technology, fully injected 100% food grade Polypropylene guaranteeing maximum reliability and performance. The "Aquarius" range sand filters have been designed and manufactured using only first grade raw materials.
- 100% polypropylene, ball-shaped body with micro-hole pipe distribution. Supporting base of the double-ring filter to ensure stability.
- Polished and glazed wedges finish
- Filtration system with a 6 way top selector valve assembled on a base with pump and prefilter. For pump check Lipari pump
- Draining micro-hole pipe distribution
- Max. working pressure: 1.5 bar, Test pressure 4 bar.
- Connection filter-valve with clamping collars.
- 3/4" filter discharge
- Standard: UNI 10637:2006 regulation for TYPE D categories
- Warranty: 5 years on filter



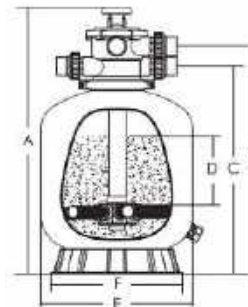
CODE	TYPE	POWER		IN-OUT	FLOW (m ³ /h) V=50m ³ /h/ m ²	QUARTZ SAND kg	FILTRATION AREA m ²	DIMENSIONS					PACKING	WEIGHT kg	VOLUME m ³	
		HP	kW					A	H	B	D	F				G
100100977	Top	0.50	0.37	DN50	6	75	0.12	450	835	830	275	665	570	1	20	0.32
100100978	Top	0.75	0.55	DN50	10	100	0.20	530	985	870	275	815	570	1	25	0.46
100100979	Top	1	0.75	DN50	14	150	0.28	620	1020	915	275	855	570	1	30	0.57

04 BOBBIN-WOUND SAND FILTERS "MUNICH" N

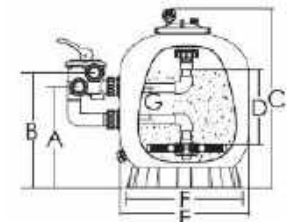
- Bobbin-wound fiber glass reinforced tank with UV-resistant surface finish
- Max operating pressure 2.5 bar, Test pressure 4 bar
- Fitted with pressure gauge, manual air and water purges
- Fitted with collector arms & diffuser made in UPVC
- Top mount filter comes with closure & screw
- Side mount filter 450,550,600,700, comes with glass top cover seal clamps with butterfly valve 7 nuts
- Side mount filter 800 & 900 comes with top cover made of (Abs and mix poly carbonate) & Side screw closure
- Side mount filter 1000 & 1200 comes with top cover & center clamp closure
- Fitters are equipped with a six -position multiport valve
- Warranty: 5 years



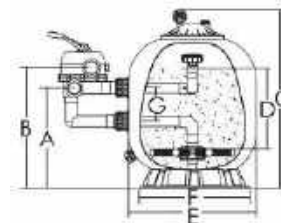
CODE	DIMENSIONS						
	A	B	C	D	E	F	G
MU-450N-VT	814	698	638	210	450	390	-
MU-550N-VT	845	730	670	235	550	500	-
MU-650N-VT	950	835	775	300	650	500	-
MU-700N-VT	1020	905	845	330	700	500	-
MU-450N-VS	360	420	730	210	450	390	125
MU-550N-VS	390	450	770	235	550	500	125
MU-650N-VS	430	390	850	235	650	500	125
MU-700N-VS	450	510	960	330	700	500	125
MU-800N-VS	560	646	1050	425	800	780	220
MU-900N-VS	610	696	1180	480	900	780	220
MU-1000N-VS	700	770	1220	580	1000	780	220
MU-1200N-VS	820	1005	1410	740	1200	1000	220



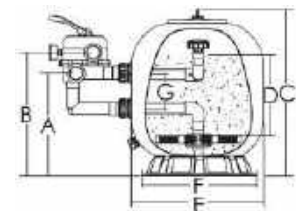
MU-450N-VT / 550 / 650 / 700



MU-450N-VS / 550 / 650 / 700



MU-800N-VS/900

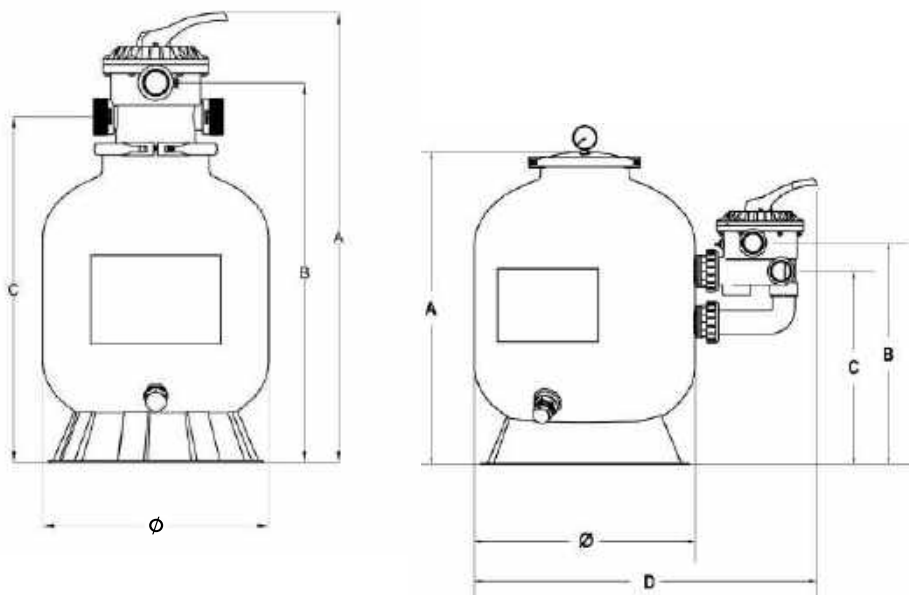


MU-1000N-VS/1200

CODE	TYPE	Ø	CONNECTIONS	FLOW	QUARTZ SAND	FILTER AREA	PACKING	WEIGHT	VOLUME
				(m ³ /h) V=50m ³ /h/m ²	kg	m ²		kg	m ³
MU-450N-VT	Top	450	1.5"	8	75	0.16	2	16.5	0.19
MU-550N-VT	Top	550	1.5"	10	125	0.22	2	21.1	0.23
MU-650N-VT	Top	650	1.5"	16	150	0.30	2	24.3	0.38
MU-700N-VT	Top	700	1.5"	19	225	0.40	2	26.5	0.34
MU-450N-VS	Side	450	1.5"	8	75	0.16	2	16.5	0.19
MU-550N-VS	Side	550	1.5"	10	125	0.22	2	21.1	0.23
MU-650N-VS	Side	650	1.5"	16	150	0.30	2	24.3	0.38
MU-700N-VS	Side	700	1.5"	19	225	0.50	2	33	0.45
MU-800N-VS	Side	800	2"	25	300	0.50	2	41.5	0.67
MU-900N-VS	Side	900	2"	30	400	0.64	2	52.3	0.95
MU-1000N-VS	Side	1000	2.5"	40	650	0.98	2	115	1.84
MU-1200N-VS	Side	1200	3"	56	1000	1.13	2	124	2.32

05 BLOW-MOLDED FILTERS “EC3000”

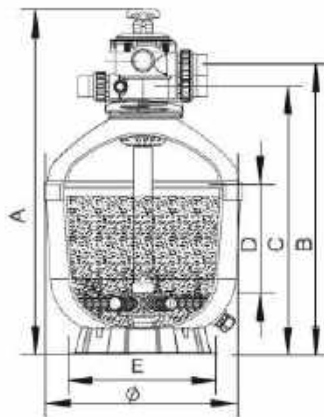
- One piece blow-molded filters made in PE-HD with side or top mounted multiport valves.
- Including pressure gauge, manual air vent and water purge.
- Maximum working pressure 2.5 bar, Test pressure 4 bar.
- Very durable and rigid structure.
- Warranty: 5 years.



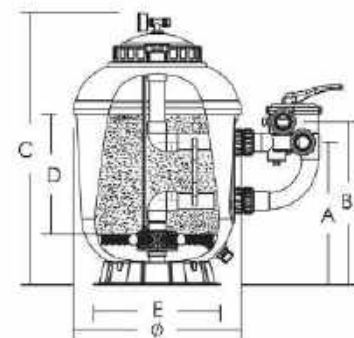
CODE	TYPE	Ø	FLOW	QUARTZ SAND	DIMENSIONS				PACKING	WEIGHT	VOLUME
			(m ³ /h) V=50m ³ /h/m ²	kg	A	B	C	D		kg	m ³
FRL-400	Side	400	6	50	580	430	355	676	2	8.00	0.12
FRL-500	Side	500	9	75	680	490	430	755	2	10.50	0.22
FRL-600	Side	600	14	100	880	630	560	880	2	14.00	0.37
FTS-400	Top	400	6	50	810	685	624	676	2	8.00	0.12
FTS-500	Top	500	9	75	913	788	727	755	2	10.50	0.22
FTS-600	Top	600	14	100	1108	982	921	880	2	14.00	0.37

06 OCEAN GELCOAT FILTER

- Non corrosive Gelcoat fiber glass tank with smooth finishing
- Max operating pressure 2.5 bar, Test pressure 4 bar
- Universal standard of union connection is provided
- ABS lateral system
- Pressure gauge is provided
- OC-SIDE: Equipped with 6-way clamp /bolt style mulpiport valve
- OC-TOP: Transparent lid provides clear view of filter media, and air release valve allows accumulated air getting out of the tank
- 6 Way mulpiport valve is included
- Warranty: Syears



TOP-T
OC-500-T / OC-650-T



SIDE-S
OC-500-S / OC-650-S
OC-750-S / OC-900-S

CODE	Ø	TYPE	CONNECTIONS	FLOW	QUARTZ SAND	DIMENSIONS					PACKING	WEIGHT	VOLUME
				(m³/h) V=50m³/h/m²	kg	A	B	C	D	E		kg	m³
OC-500-T	500	Top	1.5"	10	100	886	750	693	286	390	2	16.6	0.25
OC-650-T	650	Top	1.5"	16	150	998	862	805	318	500	2	28	0.45
OC-500-S	500	Side	1.5"	10	100	438	501	835	360	390	2	18.3	0.21
OC-650-S	650	Side	1.5"	16	150	453	516	926	380	390	2	24.5	0.38
OC-750-S	750	Side	2"	22	250	517	603	1023	440	500	2	38	0.55
OC-900-S	900	Side	2"	30	375	570	656	1163	480	780	2	57.8	0.90

07 VERTICAL BOBBINED FILTERS

- Bobbin wound fiber glass reinforcement with polyester resin
- Multi-construction layers: non-corrosive and chemical protective
- UV resistance, suitable for operation under prolong sunlight
- Available in laterals or nozzles plate system for air scouring capabilities
- Optional accessories includes sight glass, manhole, and air purge
- Design filtration velocity maximum: 50m³/h/m²
- Max operating pressure 2.5 / 4 bar, test pressure 4/6 bar
- Manifold & valves not included
- Warranty: 5 years



Nozzles System



Lateral System



Air Purge



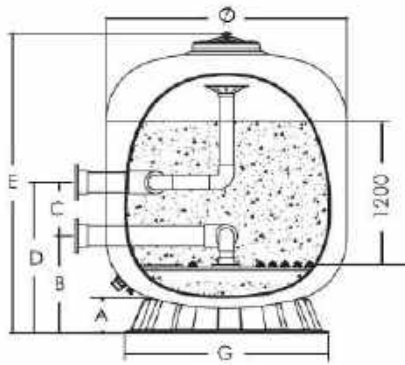
Manhole



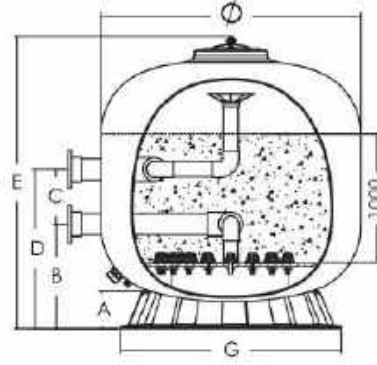
Sight Glass

MODEL	Ø	QUARTZ SAND	DIMENSIONS					
		kg	A	B	C	D	E	G
FB-1200	1200	1200	190	630	550	1180	1816	995
FB-1400	1400	1800	200	630	550	1180	1816	1220
FB-1600	1600	3000	220	720	490	1210	1916	1365
FB-1800	1800	3800	220	750	440	1190	1956	1630
FB-2000	2000	5100	230	770	490	1260	2060	1630
FB-2200	2200	7600	230	940	500	1440	2376	1800
FB-2500	2500	8500	230	1050	550	1500	2670	1800
FBH-1200	1200	2800	170	665	350	1015	2080	995
FBH-1400	1400	2700	190	675	350	1025	2175	1220
FBH-1600	1600	3600	200	775	350	1125	2310	1365
FBH-1800	1800	4100	220	780	415	1195	2320	1630
FBH-2000	2000	5400	220	865	415	1280	2460	1630
FBH-2300	2300	9200	230	1060	550	1610	2720	1800
FBH-2500	2500	10400	230	1120	550	1670	2750	1800

Add - Lux end of filter code to be supplied with air purge, Manhole, and sight glass



FBH-1200 TO FBH-2500



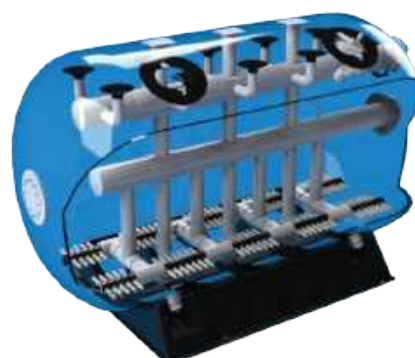
FB-1200 TO FB-2500

Working pressure: 2.5kg/cm² or 4 kg/cm²
 Test pressure: 4 kg/cm² or 6 kg/cm²

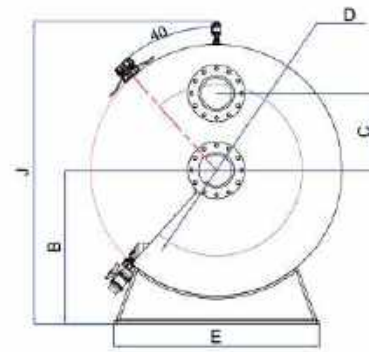
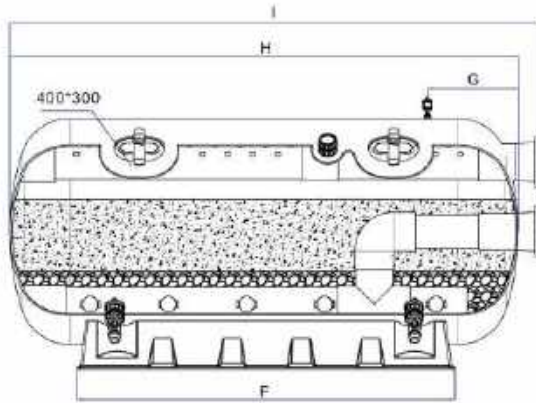
CODE		CONNECTIONS	FILTER AREA M ²	FLOW (m ³ /h) V=50m ³ /h/m ²	PACKING	WEIGHT	VOLUME
		mm				kg	m ³
FB-1200-2.5-LAT	FB-1200-4-LAT	90	1.13	55	1	139	2.26
FB-1400-2.5-LAT	FB-1400-4-LAT	110	1.54	77	1	225	3.25
FB-1600-2.5-LAT	FB-1600-4-LAT	125	2.01	102	1	273.5	4.76
FB-1800-2.5-LAT	FB-1800-4-LAT	140	2.54	125	1	412	6.67
FB-2000-2.5-LAT	FB-2000-4-LAT	160	3.14	147	1	450	9.03
FB-2200-2.5-LAT	FB-2200-4-LAT	200	3.8	190	1	554	15.02
FB-2500-2.5-LAT	FB-2500-4-LAT	225	4.90	240	1	680	21.68
FB-1200-2.5-NOZ	FB-1200-4-NOZ	90	1.13	55	1	139	2.26
FB-1400-2.5-NOZ	FB-1400-4-NOZ	110	1.54	77	1	225	3.25
FB-1600-2.5-NOZ	FB-1600-4-NOZ	125	2.01	102	1	273.5	4.76
FB-1800-2.5-NOZ	FB-1800-4-NOZ	140	2.54	125	1	412	6.67
FB-2000-2.5-NOZ	FB-2000-4-NOZ	160	3.14	147	1	450	9.03
FB-2200-2.5-NOZ	FB-2200-4-NOZ	200	3.8	190	1	554	15.02
FB-2500-2.5-NOZ	FB-2500-4-NOZ	225	4.90	240	1	680	21.68
FBH-1200-2.5-LAT	FBH-1200-4-LAT	90	1.13	45	1	238	3.35
FBH-1400-2.5-LAT	FBH-1400-4-LAT	110	1.54	61	1	258	4.58
FBH-1600-2.5-LAT	FBH-1600-4-LAT	125	2.06	80	1	473	6.20
FBH-1800-2.5-LAT	FBH-1800-4-LAT	140	2.52	101	1	473	7.94
FBH-2000-2.5-LAT	FBH-2000-4-LAT	160	2.97	125	1	772	10.38
FBH-2300-2.5-LAT	FBH-2300-4-LAT	200	4.43	175	1	658.5	1621
FBH-2500-2.5-LAT	FBH-2500-4-LAT	225	4.89	200	1	760	17.88
FBH-1200-2.5-NOZ	FBH-1200-4-NOZ	90	1.13	45	1	238	3.35
FBH-1400-2.5-NOZ	FBH-1400-4-NOZ	110	1.54	61	1	258	4.58
FBH-1600-2.5-NOZ	FBH-1600-4-NOZ	125	2.06	80	1	473	6.20
FBH-1800-2.5-NOZ	FBH-1800-4-NOZ	140	2.52	101	1	473	7.94
FBH-2000-2.5-NOZ	FBH-2000-4-NOZ	160	2.97	125	1	772	10.38
FBH-2300-2.5-NOZ	FBH-2300-4-NOZ	200	4.43	175	1	658.5	1621
FBH-2500-2.5-NOZ	FBH-2500-4-NOZ	225	4.89	200	1	760	17.88

08 HORIZONTAL BOBBINED FILTERS

- Bobbin wound fiber glass reinforcement with polyester resin
- Multi-construction layers: non-corrosive and chemical protective
- UV resistance, suitable for operation under prolong sunlight
- Inner filtration system with evenly spread laterals enhance filtration performance.
- Service manhole for easy maintenance
- Equipped with manometer for easy inspection of the working pressure of both inlet and outlet.
- Design filtration velocity: 20/30/40m³/h/m²
- Max operating pressure 2.5 / 4 bar
- Suggested size of media 0.5-0.8mm, 1-2mm
- Manifolds & valves not include
- Warranty: 5 years



FILTRATION VELOCITY	LENGTH	DIAMETER																
		1200		1400		1600		1800		2000		2350		2500		3000		
m ³ /h/m ²	mm	Conn.	Flow	Conn.	Flow	Conn.	Flow	Conn.	Flow	Conn.	Flow	Conn.	Flow	Conn.	Flow	Conn.	Flow	
20	1900	110	39	110	45	110	49											
	2300	110	48															
	2500	110	53	110	60													
	2700	110	57															
	3000	110	64	110	73							140	119					
	3500										140	125	140	141	140	149	225	180
	4000							140	125	140	144	225	163	225	172	225	208	
	4500											225	186	225	196	225	236	
30	5000										225	208	225	220	225	265		
	2500					150	101	150	112	150	130							
	2700																	
	3000			140	110	140	123	140	137	140	159	225	178					
	3500							140	162	140	187	225	212	225	223	250	270	
	4000							140	187	140	216					250	312	
40	4500								187	140	245			250	294	250	355	
	5000											250	312	250	329	250	397	
	1900	140	79	140	89	140	99											
	2300	140	97															
	2500	140	107	140	121	225	134	200	150	200	174							
	2700	140	115															
	3000	140	129	225	147	225	164	200	183	200	212	250	238					
	3500							250	216	250	250	250	282	250	297	300	360	
4000							250	250	250	288	250	327	250	345	300	416		
4500									250	326	250	371	300	392	300	473		
5000											300	416	300	439	300	530		



Sight glass



Lateral system



Manhole



Manometer



Base



Union drain



Air vent valve



Flange

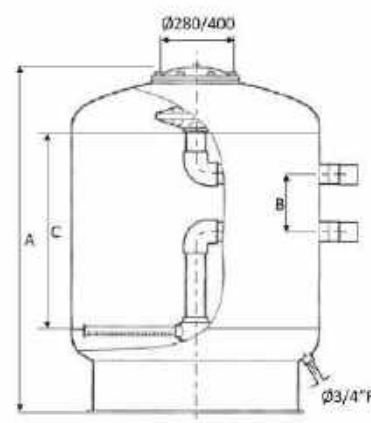
Ø	CODE		FILTRATION VELOCITY m³/h/m²	FILTRATION AREA M²	DIMENSIONS								QUARTZ SAND kg	PACK-ING	WEIGHT kg	VOLUME m³	
	2.5 BAR	4 BAR			B	C	D	E	F	G	H	I					J
1200	H-4472-2.5	H-4472-4	20	1.96	747	325	1200	1100	1190	650	1900	2030	1500	1525	1	361	4.52
	H-4473-2.5	H-4473-4	40	1.96	747	325	1200	1100	1190	650	1900	2060	1500	1525	1	435	4.33
	H-4474-2.5	H-4474-4	20	2.42	747	325	1200	1100	1590	650	2300	2430	1500	1975	1	415	4.98
	H-4475-2.5	H-4475-4	40	2.42	747	325	1200	1100	1590	650	2300	2460	1500	1975	1	510	5.14
	H-4476-2.5	H-4476-4	20	2.65	747	325	1200	1100	1790	650	2500	2630	1500	2450	1	435	5.39
	H-4477-2.5	H-4477-4	40	2.65	747	325	1200	1100	1790	650	2500	2660	1500	2450	1	435	5.54
	H-4478-2.5	H-4478-4	20	2.87	747	325	1200	1100	1990	650	2700	2830	1500	2900	1	470	6.47
	H-4479-2.5	H-4479-4	40	2.87	747	325	1200	1100	1990	650	2700	2860	1500	2900	1	565	5.95
	H-4480-2.5	H-4480-4	20	3.21	747	325	1200	1100	2290	650	3000	3130	1500	3250	1	510	8.21
H-4481-2.5	H-4481-4	40	3.21	747	325	1200	1100	2290	650	3000	3160	1500	3250	1	625	6.56	
1400	H-4482-2.5	H-4482-4	20	2.23	847	390	1400	1130	1340	730	1900	2030	1700	2675	1	450	5.47
	H-4483-2.5	H-4483-4	40	2.23	847	390	1400	1130	1340	730	1900	2060	1700	2675	1	550	5.69
	H-4484-2.5	H-4484-4	20	3.02	847	390	1400	1130	1840	730	2500	2630	1700	3625	1	550	8.36
	H-4485-2.5	H-4485-4	40	3.02	847	390	1400	1130	1840	730	2500	2660	1700	3625	1	615	7.39
	H-4486-2.5	H-4486-4	20	3.67	847	390	1400	1130	2340	730	3000	3130	1700	4450	1	550	10.12
	H-4487-2.5	H-4487-4	30	3.67	847	390	1400	1130	2340	730	3000	3160	1700	4450	1	575	8.93
	H-4488-2.5	H-4488-4	40	3.67	847	390	1400	1130	2340	730	3000	3180	1700	4450	1	710	9.01

Ø	CODE		FILTRA-TION VELOCITY	FILTRA-TION AREA	DIMENSIONS								QUARTZ SAND	PACK-ING	WEIGHT	VOLUME	
	2.5 BAR	4 BAR	m³/h/m²	M²	B	C	D	E	F	G	H	I	J		kg	kg	m³
1600	H-4489-2.5	H-4489-4	20	2.47	945	475	1600	1440	1210	810	1900	2130	1900	3450	1	490	7.84
	H-4490-2.5	H-4490-4	40	2.47	945	475	1600	1440	1210	810	1900	2160	1900	3450	1	615	7.94
	H-4491-2.5	H-4491-4	30	3.36	945	475	1600	1440	1710	810	2500	2660	1900	4725	1	575	9.66
	H-4492-2.5	H-4492-4	40	3.36	945	475	1600	1440	1710	810	2500	2680	1900	4725	1	715	9.73
	H-4493-2.5	H-4493-4	30	4.10	945	475	1600	1440	2210	810	3000	3160	1900	5800	1	670	13.32
	H-4494-2.5	H-4494-4	40	4.10	945	475	1600	1440	2210	810	3000	3180	1900	5800	1	825	11.59
1800	H-4495-2.5	H-4495-4	30	3.74	1100	550	1800	1380	1560	850	2500	2660	2170	5825	1	650	12.26
	H-4496-2.5	H-4496-4	40	3.74	1100	550	1800	1380	1560	850	2500	2680	2170	5825	1	860	12.53
	H-4497-2.5	H-4497-4	30	4.58	1100	550	1800	1380	2060	850	3000	3160	2170	7150	1	790	15.22
	H-4498-2.5	H-4498-4	40	4.58	1100	550	1800	1380	2060	850	3000	3180	2170	7150	1	980	15.31
	H-4499-2.5	H-4499-4	30	5.41	1100	550	1800	1380	2060	850	3500	3680	2170	8475	1	890	17.46
	H-4500-2.5	H-4500-4	40	5.41	1100	550	1800	1380	2560	850	3500	3680	2170	8475	1	1100	17.54
	H-4501-2.5	H-4501-4	20	6.25	1100	550	1800	1380	3060	850	4000	4160	2170	9775	1	990	18.98
	H-4502-2.5	H-4502-4	30	6.25	1100	550	1800	1380	3060	850	4000	4180	2170	9775	1	1220	19.25
	H-4503-2.5	H-4503-4	40	6.25	1100	550	1800	1380	3060	850	4000	4180	2170	9775	1	1280	19.25
2000	H-4504-2.5	H-4504-4	30	4.34	1200	710	2000	1720	1380	1000	2500	2660	2370	7626	1	800	12.02
	H-4505-2.5	H-4505-4	40	4.34	1200	710	2000	1720	1380	1000	2500	2680	2370	7626	1	1000	11.22
	H-4506-2.5	H-4506-4	30	5.30	1200	710	2000	1720	1880	1000	3000	3160	2370	9325	1	895	15.85
	H-4507-2.5	H-4507-4	40	5.30	1200	710	2000	1720	1880	1000	3000	3180	2370	9325	1	1125	16.21
	H-4508-2.5	H-4508-4	20	6.25	1200	710	2000	1720	2380	1000	3500	3660	2370	11025	1	1000	20.01
	H-4509-2.5	H-4509-4	30	6.25	1200	710	2000	1720	2380	1000	3500	3680	2370	11025	1	1250	18.76
	H-4510-2.5	H-4510-4	40	6.25	1200	710	2000	1720	2380	1000	3500	3680	2370	11025	1	1280	18.76
	H-4511-2.5	H-4511-4	20	7.21	1200	710	2000	1720	2880	1000	4000	4160	2370	12725	1	1090	23.70
	H-4512-2.5	H-4512-4	30	7.21	1200	710	2000	1720	2880	1000	4000	4180	2370	12725	1	1345	22.14
	H-4513-2.5	H-4513-4	40	7.21	1200	710	2000	1720	2880	1000	4000	4180	2370	12725	1	1430	22.14
	H-4514-2.5	H-4514-4	30	8.16	1200	710	2000	1720	3380	1000	4500	4680	2370	14450	1	1170	26.86
	H-4515-2.5	H-4515-4	40	8.16	1200	710	2000	1720	3380	1000	4500	4680	2370	14450	1	1460	24.99

Ø	CODE		FILTRATION VELOCITY	FILTRATION AREA	DIMENSIONS										QUARTZ SAND	PACK-ING	WEIGHT	VOUME
	2.5 BAR	4 BAR	m³/h/m²	M²	B	C	D	E	F	G	H	I	J	kg	kg		m³	
2350	H-4516-2.5	H-4516-4	20	5.94	1390	710	2350	1950	1270	1180	3000	3160	2730	11875	1	1030	22.35	
	H-4517-2.5	H-4517-4	30	5.94	1390	710	2350	1950	1270	1180	3000	3180	2730	11875	1	1320	23.00	
	H-4518-2.5	H-4518-4	40	5.94	1390	710	2350	1950	1270	1180	3000	3180	2730	11875	1	1340	23.00	
	H-4519-2.5	H-4519-4	20	7.06	1390	710	2350	1950	1170	1180	3500	3660	2730	14175	1	1125	27.33	
	H-4520-2.5	H-4520-4	30	7.06	1390	710	2350	1950	1170	1180	3500	3680	2730	14175	1	1425	26.46	
	H-4521-2.5	H-4521-4	40	7.06	1390	710	2350	1950	1170	1180	3500	3680	2730	14175	1	1480	26.46	
	H-4522-2.5	H-4522-4	20	8.17	1390	710	2350	1950	2270	1180	4000	4180	2730	16450	1	1270	31.20	
	H-4523-2.5	H-4523-4	40	8.17	1390	710	2350	1950	2270	1180	4000	4180	2730	16450	1	1595	30.05	
	H-4524-2.5	H-4524-4	20	9.28	1390	710	2350	1950	2770	1180	4500	4680	2730	18725	1	1450	33.37	
	H-4525-2.5	H-4525-4	40	9.28	1390	710	2350	1950	2770	1180	4500	4680	2730	18725	1	1805	33.37	
	H-4526-2.5	H-4526-4	20	10.4	1390	710	2350	1950	3270	1180	5000	5180	2730	21000	1	1595	36.61	
	H-4527-2.5	H-4527-4	30	10.4	1390	710	2350	1950	3270	1180	5000	5180	2730	21000	1	1975	36.61	
H-4528-2.5	H-4528-4	40	10.4	1390	710	2350	1950	3270	1180	5000	5180	2730	21000	1	2000	36.61		
2500	H-4529-2.5	H-4529-4	20	7.34	1480	710	2500	2120	1850	1270	3500	3660	2900	14850	1	1170	28.42	
	H-4530-2.5	H-4530-4	30	7.34	1480	710	2500	2120	1850	1270	3500	3680	2900	14850	1	1500	28.80	
	H-4531-2.5	H-4531-4	40	7.34	1480	710	2500	2120	1850	1270	3500	3680	2900	14850	1	1520	28.80	
	H-4532-2.5	H-4532-4	20	8.62	1480	710	2500	2120	2350	1270	4000	4180	2900	17225	1	1320	32.60	
	H-4533-2.5	H-4533-4	40	8.62	1480	710	2500	2120	2350	1270	4000	4180	2900	17225	1	1680	32.60	
	H-4534-2.5	H-4534-4	20	9.80	1480	710	2500	2120	2850	1270	4500	4680	2900	19650	1	1480	21.50	
	H-4535-2.5	H-4535-4	30	9.80	1480	710	2500	2120	2850	1270	4500	4680	2900	19650	1	1860	21.50	
	H-4536-2.5	H-4536-4	40	9.80	1480	710	2500	2120	2850	1270	4500	4680	2900	19650	1	1960	21.50	
	H-4537-2.5	H-4537-4	20	10.98	1480	710	2500	2120	3350	1270	5000	5180	2900	22050	1	1650	40.50	
	H-4538-2.5	H-4538-4	30	10.98	1480	710	2500	2120	3350	1270	5000	5180	2900	22050	1	2170	40.50	
	H-4539-2.5	H-4539-4	40	10.98	1480	710	2500	2120	3350	1270	5000	5180	2900	22050	1	2190	40.50	
3000	H-4540-2.5	H-4540-4	20	8.98	1730	710	3000	2600	1880	1480	3500	3680	3410	22375	1	1460	41.47	
	H-4541-2.5	H-4541-4	30	8.98	1730	710	3000	2600	1880	1480	3500	3680	3410	22375	1	1860	41.47	
	H-4542-2.5	H-4542-4	40	8.98	1730	710	3000	2600	1880	1480	3500	3680	3410	22375	1	1890	41.47	
	H-4543-2.5	H-4543-4	20	10.40	1730	710	3000	2600	2380	1480	4000	4180	3410	25975	1	1650	46.56	
	H-4544-2.5	H-4544-4	30	10.40	1730	710	3000	2600	2380	1480	4000	4180	3410	25975	1	2075	46.56	
	H-4545-2.5	H-4545-4	40	10.40	1730	710	3000	2600	2380	1480	4000	4180	3410	25975	1	2090	46.56	
	H-4546-2.5	H-4546-4	20	11.82	1730	710	3000	2600	2880	1480	4500	4680	3410	29600	1	1835	52.52	
	H-4547-2.5	H-4547-4	30	11.82	1730	710	3000	2600	2880	1480	4500	4680	3410	29600	1	2300	52.52	
	H-4548-2.5	H-4548-4	40	11.82	1730	710	3000	2600	2880	1480	4500	4680	3410	29600	1	2330	52.52	
	H-4549-2.5	H-4549-4	20	13.24	1730	710	3000	2600	3380	1480	5000	5180	3410	33175	1	2030	57.72	
	H-4550-2.5	H-4550-4	30	13.24	1730	710	3000	2600	3380	1480	5000	5180	3410	33175	1	2440	57.72	
	H-4551-2.5	H-4551-4	40	13.24	1730	710	3000	2600	3380	1480	5000	5180	3410	33175	1	2450	57.72	

09 STAINLESS STEEL SAND FILTER TYPE "XE"

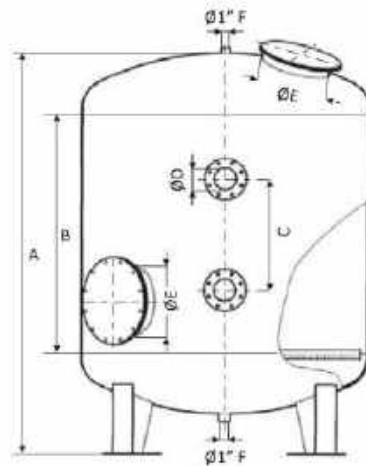
- Manufactured with AISI 304 V2A or AISI 316 L V4A
- Internal water distribution. (Nozzle plate on demand add -lux to the code)
- Hand hole $\varnothing 280/400$.
- External has shiny finish.
- Maximum working pressure: 2.5 bar
- Test pressure: 4 bar
- Warranty: 5 years
- On demand filter can be supplied:
 - working pressure 4 bar - test pressure 6 bar (add -0406 to the code)
 - working pressure 6 bar - test pressure 10 bar (add -0610 to the code)
 - working pressure 10 bar - test pressure 15 bar (add -1015 to the code)
 - Supplied with 6 way multiport valve for filters up to 950mm



CODE		Ø	CONNECTIONS	FLOW	QUARTZ SAND	DIMENSIONS			PACKING	WEIGHT	VOLUME
				(m ³ /h) V=50m ³ /h/m ²	kg	A	B	C		kg	m ³
XE-500	XE-500-316	500	1½"	10	200	1050	200	750	2	54	0.28
XE-630	XE-630-316	630	1½"	15	300	1130	200	750	2	70	0.47
XE-800	XE-800-316	800	2"	25	450	1200	200	750	2	90	0.79
XE-950	XE-950-316	950	2"	35	700	1300	200	750	1	112	1.2
XE-1100	XE-1100-316	1100	2½"	47	900	1350	200	750	1	112	1.2
XE-1200	XE-1200-316	1200	3"	56	1200	1400	200	750	1	160	2.4

10 STAINLESS STEEL SAND FILTER TYPE "XR" BED HEIGHT 1250MM

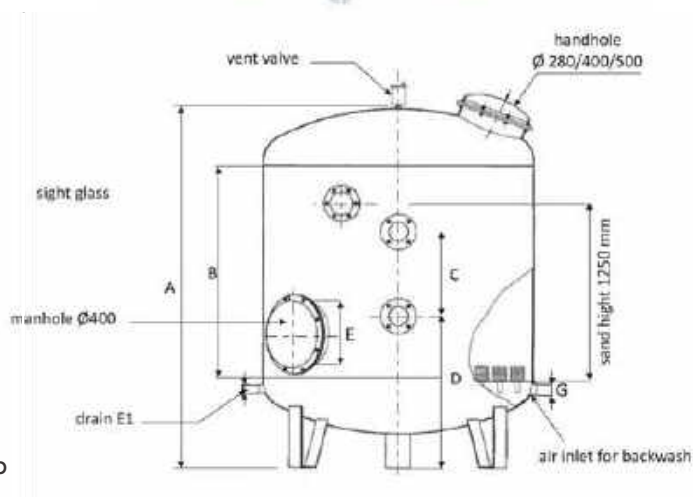
- Manufactured with AISI 304 V2A or AISI 316 L V4A
- Internal water distribution: Nozzle plate
- External pikling.
- Magnesium anode protection.
- Maximum working pressure: 2.5 bar
- Test pressure: 4 bar
- Warranty: 5 years
- On demand filter can be supplied:
 - working pressure 4 bar - test pressure 6 bar (add -0406 to the code)
 - working pressure 6 bar - test pressure 10 bar (add -0610 to the code)
 - working pressure 10 bar - test pressure 15 bar (add -1015 to the code)



CODE		Ø	CONNECTIONS	FLOW	QUARTZ SAND	DIMENSIONS					PACKING	WEIGHT	VOLUME
				(m ³ /h) V=50m ² /h/m ²	kg	A	B	C	D	E		kg	m ³
XR-1250	XR-1250-316	1250	DN 80	60	2000	2040	1250	400	Ø80	Ø280/400	1	900	4.9
XR-1400	XR-1400-316	1400	DN 100	77	2700	2160	1250	500	Ø100	Ø400	1	1000	5.5
XR-1600	XR-1600-316	1600	DN 100	100	3100	2340	1250	500	Ø100	Ø400	1	1100	8.5
XR-1800	XR-1800-316	1800	DN 125	127	4000	2400	1250	500	Ø125	Ø400	1	1350	10.3
XR-2000	XR-2000-316	2000	DN 150	157	4900	2400	1250	500	Ø150	Ø400	1	1550	11.5
XR-2200	XR-2200-316	2200	DN 200	190	5700	2400	1250	500	Ø200	Ø400	1	1750	12.6
XR-2400	XR-2400-316	2400	DN 200	226	6786	2450	1250	500	Ø200	Ø400	1	2050	14.4

11 STAINLESS STEEL SAND FILTER TYPE "XL" BED HEIGHT 1500MM

- Manufactured with AISI 304 V2A or AISI 316 L V4A
- Internal water distribution nozzle plate.
- From 500 to 2400 External pikling.
- Magnesium anode protection.
- Maximum working pressure: 2.5 bar
- Test pressure: 4 bar
- Warranty: 5 years
- On demand filter can be supplied:
 - working pressure 4 bar - test pressure 6 bar (add -0406 to the code)
 - working pressure 6 bar - test pressure 10 bar (add -0610 to the code)
 - working pressure 10 bar - test pressure 15 bar (add -1015 to the code)
- Supplied with multiport 6 way valve for filters up to 950mm



CODE		Ø	CONNECTIONS	FLOW (m ³ /h) V=50m ³ /h/m ²	DIMENSIONS							QUARTZ SAND kg	PACKING	WEIGHT kg	VOLUME m ³
					A	B	C	D	E	F	G				
XL-500	XL-500-316	500	1.5"	10	1950	1500	400	900	Ø400	1"	1½"	375	2	150	1.9
XL-630	XL-630-316	630	1.5"	15	1950	1500	400	900	Ø400	1"	1½"	575	2	220	2.3
XL-800	XL-800-316	800	2"	25	2050	1500	400	900	Ø400	1"	1½"	900	2	380	3.3
XL-950	XL-950-316	950	2"	35	2100	1500	500	900	Ø400	1"	1½"	1300	2	540	4
XL-1100	XL-1100-316	1100	DN 65	47	2150	1500	500	900	Ø400	1"	2"	1925	1	810	5.2
XL-1250	XL-1250-316	1250	DN 80	60	2200	1500	500	900	Ø400	1"	2"	2300	1	930	6
XL-1400	XL-1400-316	1400	DN 100	77	2300	1500	600	900	Ø400	1"	2"	3300	1	1050	7.4
XL-1600	XL-1600-316	1600	DN 125	100	2400	1500	600	900	Ø400	1"	2"	3925	1	1150	9.2
XL-1800	XL-1800-316	1800	DN 125	125	2540	1500	600	1000	Ø400	1½"	2½"	4700	1	1450	11.6
XL-2000	XL-2000-316	2000	DN 150	157	2650	1500	600	1000	Ø400	1½"	2½"	5600	1	1650	14
XL-2200	XL-2200-316	2200	DN 150	189	2700	1500	600	1000	Ø400	1½"	3"	7100	1	1950	16
XL-2400	XL-2400-316	2400	DN 200	225	2750	1500	600	1000	Ø400	1½"	3"	8400	1	2250	18.1

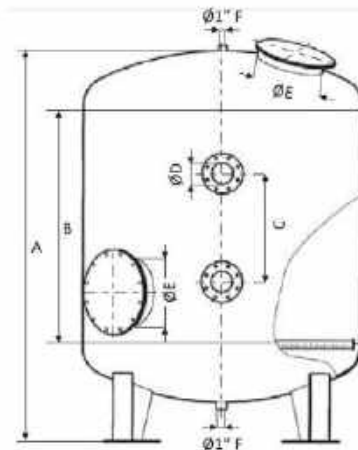
12 HOT ZINC PLATED CARBON STEEL FILTER TYPE "ZR"



- Carbon steel filters varnished with epossidic paints
- h. Body bandage 1250 mm
- Complete with: manhole and handhole; internal water distribution: with arm collectors
- Filtration rate: 50 m³/h x m¹;H
- Sand:1000/1100 mm
- Internal water distribution with nozzle plate: + 20%
- Max. working pressure 2.5 bar
- Test pressure 4bar
- Warranty: 5 years

PLEASE NOTE:

- You are recommended to earth the installation.
- Nozzle plate on demand (add -lux to the code)



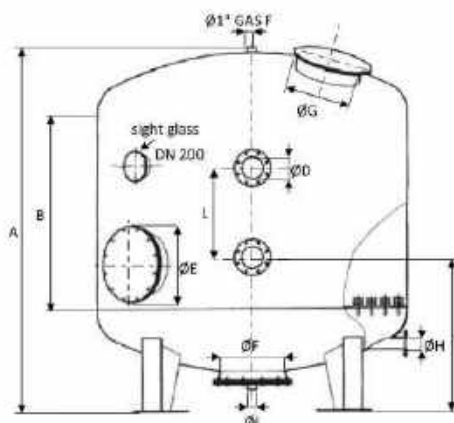
CODE	Ø	CONNECTIONS	FLOW	QUARTZ SAND	DIMENSIONS					PACKING	WEIGHT	VOLUME
			(m ³ /h) V=50m ³ /h/m ²	kg	A	B	C	D	E		kg	m ³
01001	1250	Din 80	60	2000	2040	1250	900	Ø90	Ø400	1	1040	4.9
01002	1500	Din 100	88	2900	2160	1250	900	Ø90	Ø400	1	1125	5.5
01006	1600	Din 125	100	2900	2160	1250	900	Ø140	Ø400	1	1200	8.5
01003	1800	Din 125	127	2900	2160	1250	900	Ø140	Ø400	1	1450	10.3
01004	2000	Din 150	190	5700	2400	1250	900	Ø160	Ø400	1	1650	11.5
01007	2200	Din 150	196	5700	2400	1250	900	Ø160	Ø400	1	1850	12.6
01005	2400	Din 200	226	6786	2450	1250	900	Ø225	Ø400	1	2150	14.4

13 HOT ZINC PLATED CARBON STEEL FILTER TYPE “VL” BED HEIGHT 1500

- Carbon steel filters varnished with epossidic paints
- h. Body bandage 1250 mm
- Complete with: manhole and handhole
internal water distribution: with arm collectors
- Filtration rate: 30 m³/h x m²;H
- Sand:1250/1300 mm
- With nozzle plate
- Max. working pressure 2.5 bar
- Test pressure 4bar
- Warranty: 5 years
- Valve not included

PLEASE NOTE:

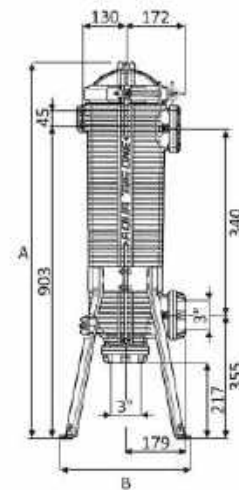
You are recommended to earth the installation.



CODE	Ø	CONNECTIONS	FLOW	QUARTZ SAND	DIMENSIONS										PACKING	WEIGHT	VOLUME
			(m ³ /h) V=50m ³ /h/m ²	kg	A	B	C	L	ØD	ØE	ØF	ØH	ØI	kg		m ³	
01011	1250	DN 80	60	2300	2300	1500	1000	600	90	400	400	DN 65	1" F	1	1070	6	
01013	1400	DN 100	70	3300	2400	1500	1000	600	110	400	500	DN 65	1" F	1	1150	7.4	
01014	1600	DN 125	100	3920	2400	1500	1100	600	140	400	500	DN 65	1½" F	1	1250	9.2	
01015	1800	DN 125	117	4700	2600	1500	1100	600	140	500	500	DN 65	1½" F	1	1550	11.6	
01017	2000	DN 150	130	5600	2600	1500	1100	600	160	500	500	DN 65	2" F	1	1750	14	
01019	2200	DN 150	196	7100	2650	1500	1100	600	160	500	500	DN 65	2" F	1	2050	16	
01020	2400	DN 200	220	8400	2700	1500	1100	600	160	500	600	DN 65	2" F	1	2350	18.1	
01022	2800	DN 200	300	11500	3100	1500	1100	600	225	500	600	DN 65	2" F	1	2550	20	
01023	3000	DN 200	350	13000	3150	1500	1100	600	225	500	600	DN 100	2" F	1	2750	22.1	

14 CARTRIDGE FILTER “BIG ONE”

- Big One is a unique polypropylene housing for professional applications where high performances and reliable products are needed.
- Designed to treat high quantity of water, it's a two-pieces compact container, that can fit 23" and 40" filtering elements.
- The housing is made with 3" female In-Out threading without brass inserts, and it's equipped with, plastic drain plug and plastic relief valve.
- Big One is provided with a stainless steel clamp that enable to open and close (easily and quickly) the housing during maintenance operatic"
- Max. working pressure: 6 bar.
- Burst pressure: 20 bar.
- Max. working temperature: 40" C.
- Capacity (empty) at 2 bar: 60m3/h.
- Filtration grade: 40 micron
- 5 years warranty



CODE	HIGHT	CONNECTIONS	DIMENSIONS		PACKING	WEIGHT kg	VOLUME m ³
			A	B			
A1150110	23"	3"	1090	388	1	19	0.02
A1150120	40"	3"	1500	388	1	22.5	0.28

- Made of polyester, core in PP, end caps in FON and O-ring in NBR.
- The polyester filtration cartridge is available in 2 sizes 23" and 40".
- Inner diameter 76 mm, external diameter 147.5 mm.
- Efficiency: 95%
- Max. working pressure: 6 bar.
- Max. differential pressure suggested: 0.8 bar
- Max. working temperature: 80° C.

CODE	HIGHT	FILTRATION GRADE	FLOW	PACKING	WEIGHT kg	VOLUME m ³
		micron	(m ³ /h)			
A4088010	23"	3	14	1	1.3	0.02
A4088020	23"	20	22	1	1.3	0.02
A4088030	23"	50	27	1	1.3	0.02
A4088040	40"	3	28	1	2.2	0.03
A4088050	40"	20	44	1	2.2	0.03
A4088060	40"	50	54	1	2.2	0.03



15 SIX-WAY SELECTOR VALVES



- 6-way selector valve for filtering, washing, rinsing, recirculating, emptying and closing operations.
- Made of premium, UV resistant, impact resisting ABS material.
- Manufactured with extremely long-lasting sealing materials & pressure springs, which are mounted at the valve plate

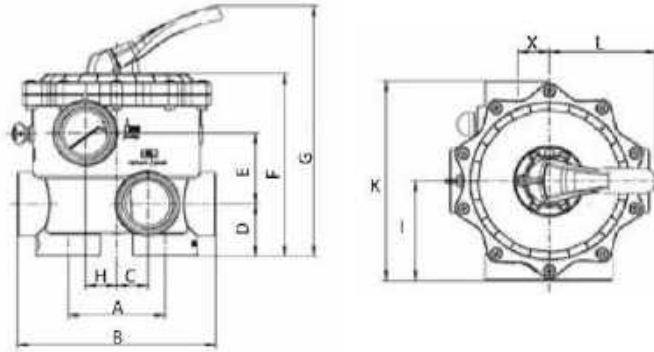
CODE	DIMENSIONS												
	A	B	C	D	E	F	G	H	I	K	L	M	X
SV-15	99	180	31.5	48.5	60	165	247	41.5	87.5	175	135.5		30
SV-20	110	227	36	60	81	210	296	36	115	230	135.5		36
SV-25	364	298	50	278	50	50	97	298	56.5	60	56.50	42	
SV-30	364	298	50	278	50	50	97	298	56.5	60	56.50	42	
TV-15 AQUARIS	130	-	31.5	38	59.5	235.5	245	41.5	90	180	135.5	46	30
TV-15 MUNICH	145	84	332	196	185	62	245						
TV-15 EC- 3000	232.5	117.4	359.7	61	111								
TV-15 OCEAN	148	360	185	38	38	38	38						

CODE	MOUNTING	CONNECTIONS	PRESSURE	PACKING	WEIGHT	VOLUME
			bar		kg	m ³
SV-15	Side	1½"	3.5	1	1.5	0.01
SV-20	Side	2"	3.5	1	2	0.02
SV-25	Side	2.5"	3.5	1	2.5	0.02
SV-30	Side	3"	3.5	1	3	0.03
TV-15 AQUARIS	Top	1½"	3.5	1	1.5	0.01
TV-15 MUNICH	Top	1½"	3.5	1	1.5	0.01
TV-15 EC- 300	Top	1½"	3.5	1	1.5	0.01
TV-15 OCEAN	Top	1½"	3.5	1	1.5	0.01

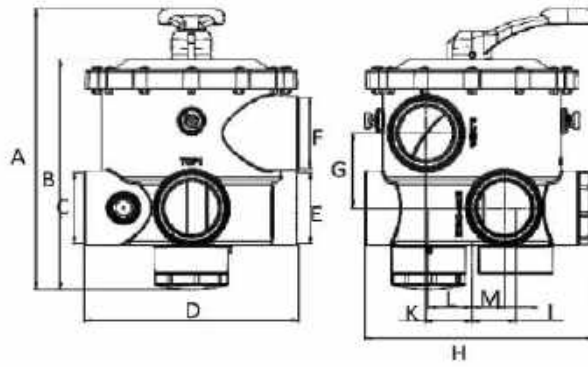
**SIX-WAY VALVES
IMAGES & DRAWINGS**



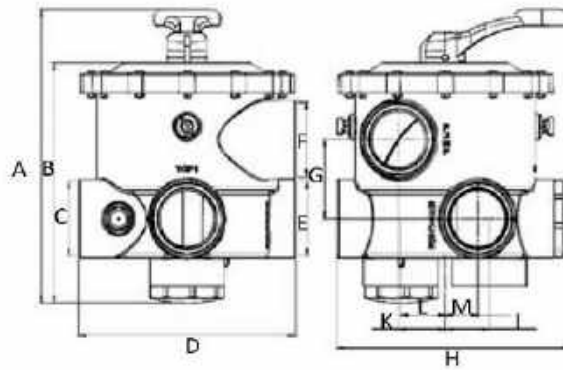
SV-15/SV-20



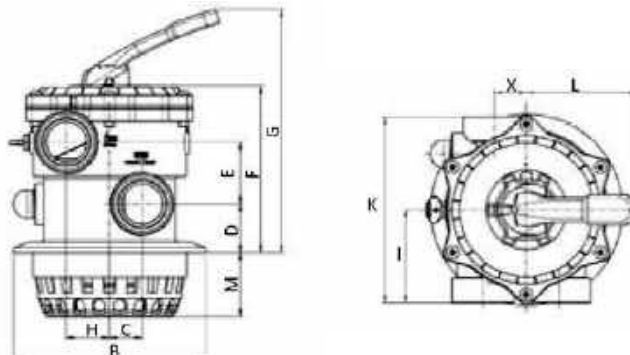
SV-25



SV-30

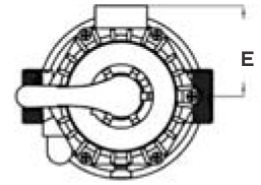
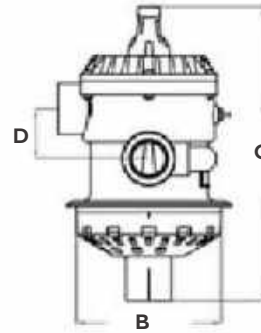
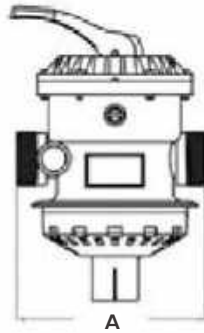


TV-15 AQUARIS

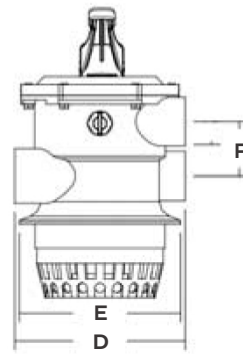
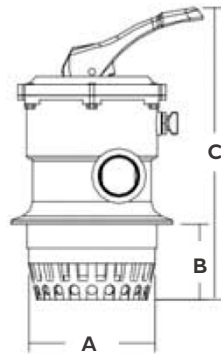




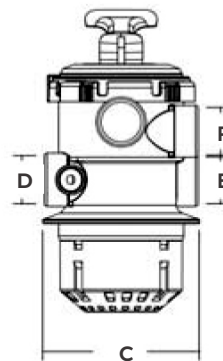
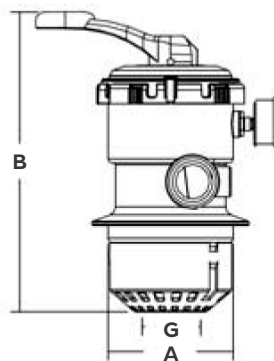
TV-15 EC-300



TV-MUNICH



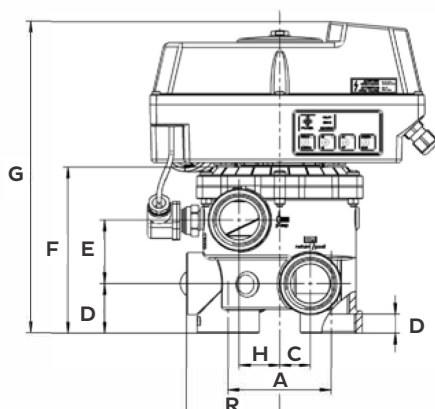
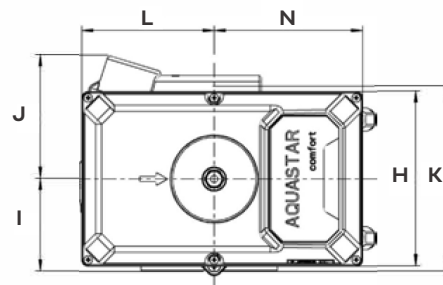
TV-15 OCEAN



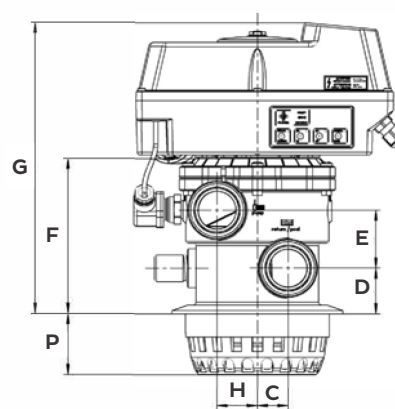
16 AUTOMATIC VALVE “AQUASTAR COMFORT”



- Developed for exclusive private and public swimming pools and aquaparks which are not equipped with a separate PLC control but should be run by fully automatic
- Characterized by its solid construction and variety adjusted to the individual needs.
- Moreover this series has the same advantages as the AQUASTAR EASY and many more:
 - Available for AQUA 6 way valves 1½” comes with side mount and top mount
 - 5 positions can be controlled by your own PLC control system (filter/back wash/rinse/ drain/ circulation)
 - Optic position display on actuator lid.
 - Manual override for all dimensions, potential free connections for E0510 ball valve or additional pump (possibly: 2nd pump)
 - MVO 12-34 VAC; 12-230 VAC.
 - IP 65 protection rate




Side Mount (SM)




Top Mount (TM)

Setting of back wash process with timer

	BACK WASH TIME (S1)	RINSE TIME (S2)	BACK WASH FREQUENCY (S3)
	45 seconds	20 seconds	off
	75 seconds	40 seconds	after 3 days
	2 minutes	1 minutes	after 7 days
	6 minutes	1½ minutes	after 14 days

Regulation by pressure (0.5-3.5 bar)

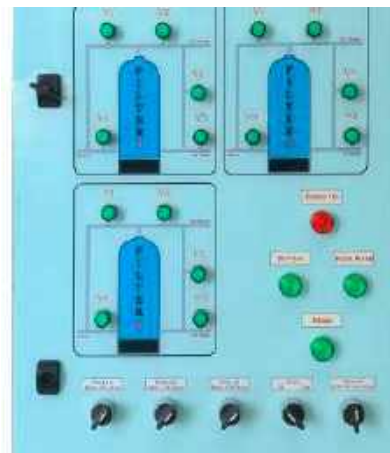
	0:0.5 bar	4:0.9 bar	8:1.3 bar	C:2.0 bar
	1:0.6 bar	5:1.0 bar	9:1.4 bar	D:2.5 bar
	2:0.7 bar	6:1.1 bar	A:1.5 bar	E:3.0 bar
	3:0.8 bar	7:1.2 bar	B:1.75 bar	F:3.5 bar

	DIMENSIONS														
	A	B	C	D	E	F	G	H	I	J	K	L	M	N	O
1.5" TM	99.5	90	29.5	48	61.5	163.5	295	39	87.5	117	175	125	165	140	18.5
1.5" SM	-	-	31.5	47	59.5	160	291	41.5	90	117	228	125	165	140	26
2" SM	110	114	38	60	81	210	339	36	114	117	228	125	165	140	26

CODE	DESCRIPTION	PACKING	WEIGHT	VOLUME
			kg	m³
SAB-015-TM	Automatic Valve 1½" Top Mount with Time + Pressure Switch	1	4	0.03
SAB-015-SM	Automatic Valve 1½" Side Mount with Time + Pressure Switch	1	4	0.03
SAB-020-SM	Automatic Valve 2" Side Mount with Time + Pressure Switch	1	5	0.04

17 CONTROL PANEL FOR VALVE MANIFOLDS

- Control panel for electrically or pneumatically actuated manifolds of 5 valves.
- For automatic filtration, backwashing, rinsing and shut-down operations.
- Fitted with automatic programming installation that enables the execution of all required operations and can be personalised to suit your requirements.
- Quick and easy installation with numbered terminal connection strip.
- Voltage 230 V single phase.
- Time and pressure control.



CODE	DESCRIPTION	PACKING	WEIGHT	VOLUME
			kg	m ³
CPA5V-E-1	Control panel for electrically actuated manifolds of 5 valves for 1 filter	1		
CPA5V-E-2	Control panel for electrically actuated manifolds of 5 valves for 2 filters	1		
CPA5V-E-3	Control panel for electrically actuated manifolds of 5 valves for 3 filters	1		
CPA5V-E-4	Control panel for electrically actuated manifolds of 5 valves for 4 filters	1		
CPA5V-E-5	Control panel for electrically actuated manifolds of 5 valves for 5 filters	1		
CPA5V-E-6	Control panel for electrically actuated manifolds of 5 valves for 6 filters	1		
CPA5V-P-1	Control panel for pneumatically actuated manifolds of 5 valves for 1 filter	1		
CPA5V-P-2	Control panel for pneumatically actuated manifolds of 5 valves for 2 filters	1		
CPA5V-P-3	Control panel for pneumatically actuated manifolds of 5 valves for 3 filters	1		
CPA5V-P-4	Control panel for pneumatically actuated manifolds of 5 valves for 4 filters	1		
CPA5V-P-5	Control panel for pneumatically actuated manifolds of 5 valves for 5 filters	1		
CPA5V-P-6	Control panel for pneumatically actuated manifolds of 5 valves for 6 filters	1		

18 VALVE MANIFOLDS



- All valve manifolds (manual or Electric & pneumatic) DN 75 TO 160 with flanges for connections to filters DN 6 for 200 to 300
- The Implex range of valves characterized by the multi-standard design of screw housing, making it suitable for any market. It made of PVC which it very versatile. As it can be adapted to a great deal of applications. It can be started through a clutch or a trigger.
- Inside the pipes according to the standard UNE-EN-1452 (PVC-U) and UNE - EN 12201 (PE)
- The Implex model allows to fit flanges with different standards: DN 8063,ANSI 16.5, BS 10 tabala D/E, UNE-EN 1452 (PVC-U)
- One set consist of 5 Valves, 6 Flange sets, 2 Elbows& 5 Tees
- All manifolds are supplied disassembled and without support brackets.

CODE	Ø	MANIFOLD TYPE	NO. OF VALVES	PACKAGING	WEIGHT	VOLUME
					kg	m ³
MM5-075	75	Manual	5	1	11.1	0.02
MM5-090	90				16.48	0.03
MM5-110	110				18.56	0.03
MM5-125	125				20.96	0.04
MM5-140	140				23.60	0.05
MM5-160	160				30.24	0.05
MM5-200	200				44.96	0.07
MM5-225	225				44.96	0.07
MM5-250	250				79.84	0.20
MM5-300	300				176	0.17
AM5-075	75	Electric	5	1	15.52	0.08
AM5-090	90				19.2	0.08
AM5-110	110				19.2	0.10
AM5-125	125				24	0.16
AM5-140	140				41.6	0.20
AM5-160	160				41.6	0.24
AM5-200	200				41.6	0.34
AM5-225	225				41.6	0.34
AM5-250	250				41.6	0.43
AM5-300	300				41.6	0.54
PM5-075	75	Pneumatic	5	1	34	0.08
PM5-090	90				41	0.08
PM5-110	110				67	0.14
PM5-125	125				70	0.16
PM5-140	140				101	0.23
PM5-160	160				110	0.27
PM5-200	200				140	0.46
PM5-225	225				140	0.46
PM5-250	250				275	0.54
PM5-300	300				252	0.82



MANUAL VALVE

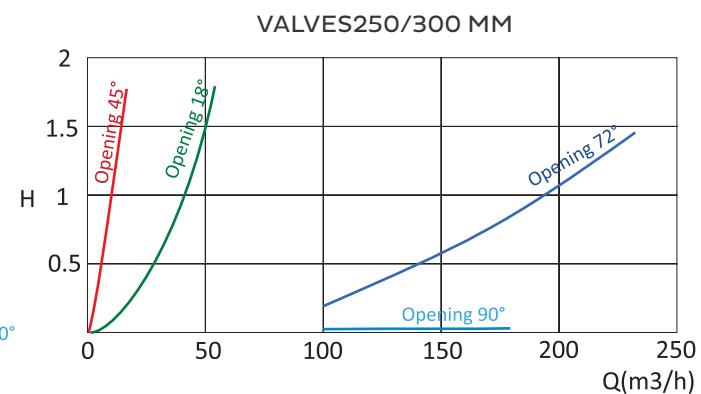
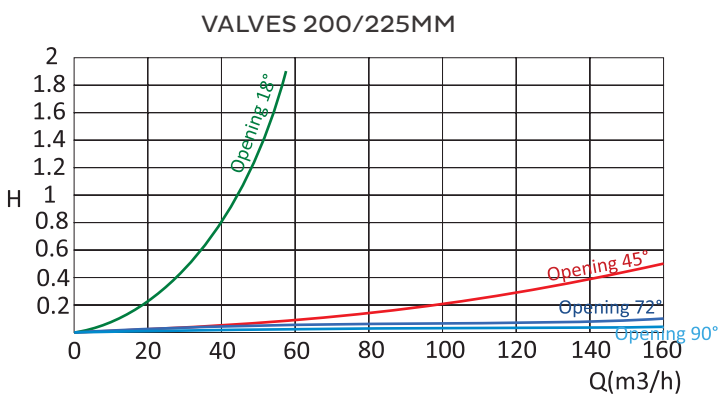
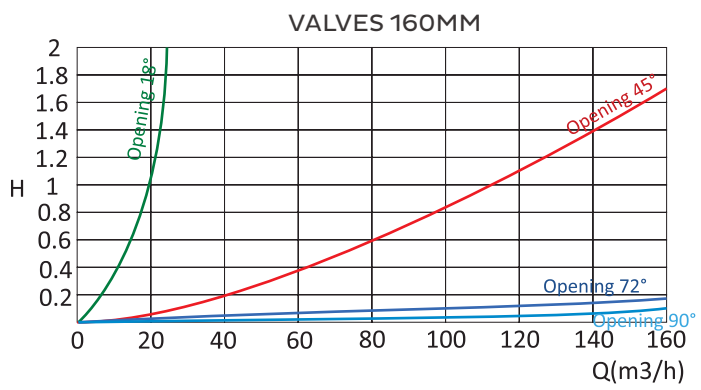
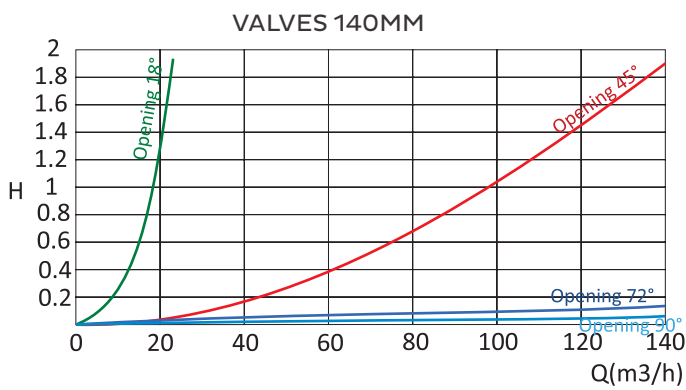
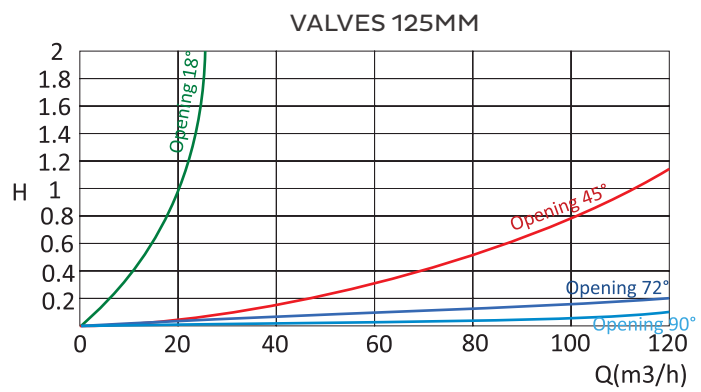
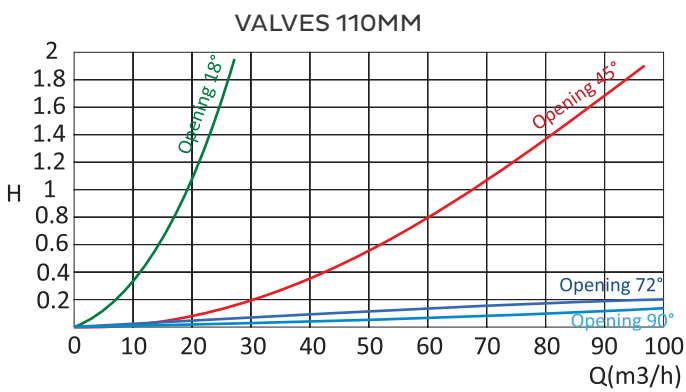
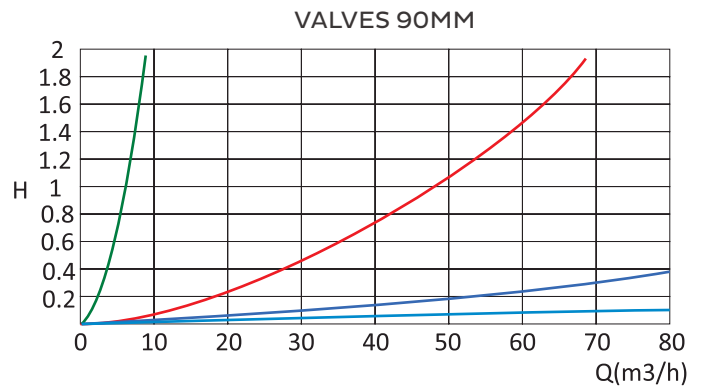
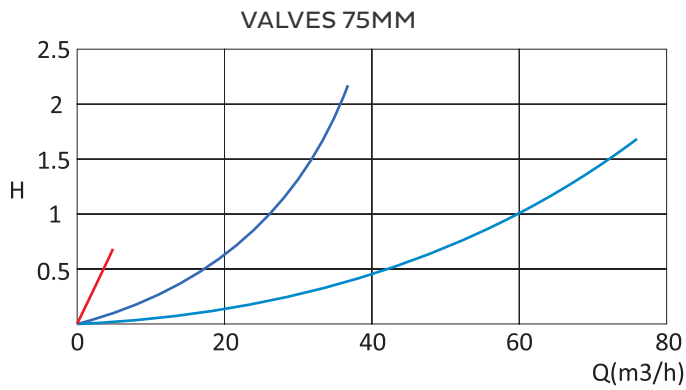


ELECTRIC DRIVEN VALVE



PNEUMATIC DRIVEN VALVE

LOAD LOSS CURVES



19 QUARTZ SAND

- Quartziferous sand.
- White color.
- Grinded quartz in 25 kg bags.



CODE	GRANULOMETRY	PACKING	WEIGHT	VOLUME
	mm		kg	m ³
FM-01	0.4 - 0.8	1	25	0.015
FM-02	1.0 - 2.0	1	25	0.015
FM-03	2.0 - 3.0	1	25	0.015
FM-04	3.0 - 5.0	1	25	0.015

20 ACTIVATED FILTER MEDIA



BIOLOGICAL INSTEAD OF CHEMICAL APPROACH

Traditional water treatment tries to avoid disease transmission by using more and more chlorine, UVC irradiation or ozone. But the transmission of pathogens is a biological problem; it therefore needs a biological solution. The approach of the Dryden Aqua integrated water treatment system does exactly that: Instead of using more powerful disinfections and expensive equipment, we design a pool water treatment process that changes the water to make it difficult for virus, bacterium and parasites to live and to reproduce:

PREVENT INSTEAD OF KILLING!

1. No substrate: As a consequence of our bio-resistant AFM™, bacterium have no substrate on which they can grow and multiply.

2. No nutrients: We remove food for bacteria by advanced coagulation, variable Speed Pump flocculation and filtration. Bacterium cannot grow anymore.

3. The lower the chlorine demand, the lower the disinfection by-products (DBP'S):

DAISY filters almost everything out of the water and reduces the chlorine demand to the lowest level possible. The lower the chlorine oxidation demand, the lower the concentration of chlorine disinfection by-products in the water and in the air.

AFM™ stands for Activated Filter Media, a revolutionary filter media made from green container glass, developed by marine biologist Dr. Howard Dryden. AFM™ exceeds the performance of quartz and glass sand by filtering 30 % - 50 % more organics and sub 5 micron particles out of the water. The catalytic properties on the surface of AFM™ make it self-sterilizing and bio-resistant, which means no biofilm is formed in the filter bed. This reduces the chlorine demand and therefore the formation of harmful volatile disinfection by products such as THM's, cyanogen chloride and trichloramine. Not only the chlorine smell but also the risk of getting infected by pathogens like Legionella or cryptosporidium, is greatly reduced. The pool is healthier for people, especially children, safer for the environment and economical with crystal clear water. AFM™ has been successfully used in over 500'000 public and private swimming pools worldwide.



- ① Filtration with AFM™
- ② Coagulation and flocculation with APF and ZPM
- ③ Catalytic oxidation with ACO

AFM® – ACTIVATED FILTER MEDIA 10

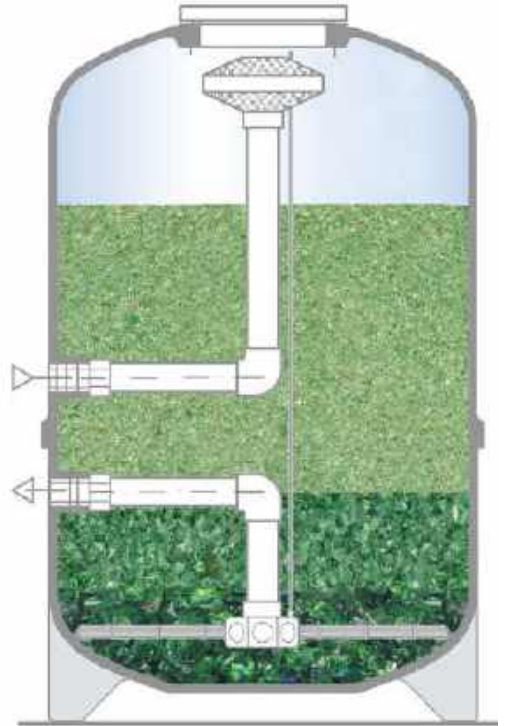
AFM® is a unique bio resistant filter media. The raw material used for AFM® is green container glass. The glass is washed, disinfected, thermally treated then reduced to a very specific grain size and shape.

For security reasons, the production process (cyclonic size reduction) assures that no dangerous glass splinters are present in the filter media. After size reduction, the grains are activated in a patented three step process. This creates a mesoporous structure with a huge catalytic surface area of 50'000 m² per m³. The surface area is 300 times larger than the surface area of sand or other glass filter media. The surface area is important for all adsorptive and catalytic reactions. In contact with the water free radicals (OH-radicals) are formed, which protect the surface from bio-fouling. The larger the surface area the higher performance and bio-resistance you will get from the media.

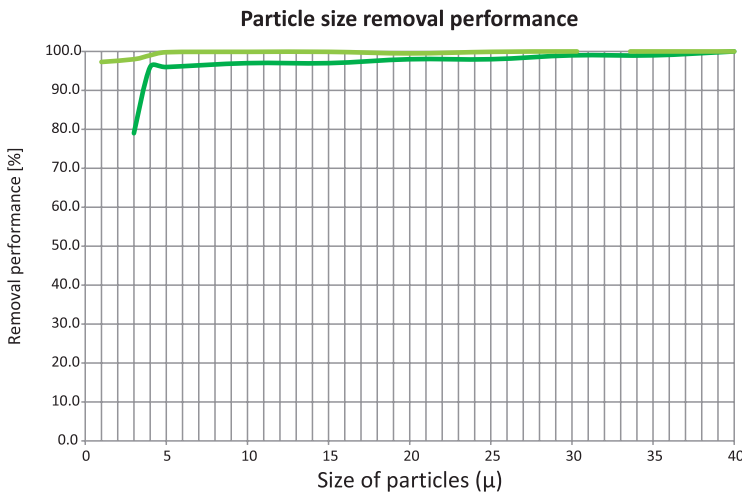
To produce one ton of AFM®, 1,8 tons of green glass is needed. AFM is produced according to ISO 9001-2008 standards. We now also have the worlds most important certification for drinking water: NSF 61.

Advantages:

- Crystal clear water
AFM® filters at least 30 - 50% more than quartz or glass sand.
- Lower consumption of chlorine
The better the filtration, the lower the chlorine demand.
- No trichloramine - no chlorine smell
AFM® prevents growth of biofilm.
- No biofilm – no Legionella
Biofilm is a home for pathogens such as Legionella.
- Perfection for chlorine-free systems
AFM® greatly reduces the oxidation demand.



AFM® - ACTIVATED FILTER MEDIA



The graph above shows the latest test results (July 2014) from IFTS (Institut de la Filtration et des Techniques Séparatives, www.ifts-sls.com).

Different glass filter media and sand were tested. The experiment was done without flocculation and at a filtration rate of 20 m/h to get a representative comparison.

AFM® 1 will remove more than 95 % of all particles in the water down to 4 microns.

The best a new, very high quality sand or other glass filter media can achieve is 20 microns at an efficiency of 95 %. In addition the filtration performance with AFM® will stay at this high level for many years.

AFM® 0 has been developed for best filtration where flocculation cannot be used.

AFM® 0 is able to remove particles of 1 micron at an efficiency of more than 95 %.

AFM® 0 cannot be combined with flocculation. The backwash speed should be about 30 m/h.

Filter filling:

Dryden Aqua recommends the following layers:

WITHOUT AFM® 0	WITH AFM® 0
70% AFM® 1	20% AFM® 0
15% AFM® 2 as supporting layer	50% AFM® 1
15% AFM® 3 as supporting layer	30% AFM® 2 and AFM® 3 as supporting layer

Remark:

For smaller filters (<1000 mm diameter) and for all filters with nozzle plate irrespective of filter diameter, use 70 % of AFM®1 and 30 % of AFM®2. AFM®3 is for larger diameter filters to ensure adequate filtration.



CODE	DESCRIPTION	PACKING	WEIGHT	VOLUME
			kg	m ³
AFM-00	AFM® GRADE 0 0.25 - 0.5 mm	1	25	0.015
AFM-01	AFM® GRADE 1 0.5 - 1.0 mm	1	25	0.015
AFM-02	AFM® GRADE 2 1.0 - 2.0 mm	1	25	0.015
AFM-03	AFM® GRADE 3 2.0 - 4.0 mm	1	25	0.015

21 ZPM – ZETA POTENTIAL MIXER 30



The static mixer for the cavitation of water

ZPM stands for Zeta Potential Mixer and is a static mixer manufactured in stainless steel 1.4571. The cavitation reactions help to disinfect the water for a lifetime.

Upstream of the filter – optimize coagulation and flocculation:

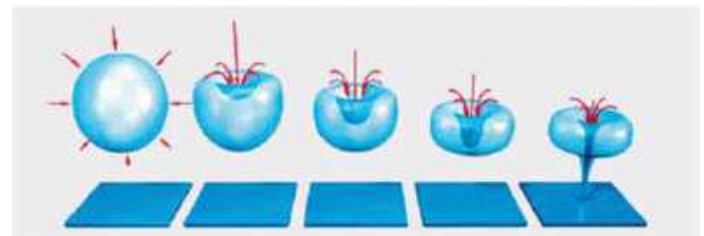
The ZPM amplifies the coagulation and flocculation reactions for the conversion and precipitation of dissolved components into small particles. The cavitation reactions provide the perfect mixing and turbulent environment necessary for coagulation using APF and NoPhos. The ZPM neutralises the electrical charge (Zeta Potential) on dissolved chemicals and small particles to make some positively and some negatively charged. The opposite charges attract and this causes coagulation and flocculation. As the electrical potential drops to neutral, the redox oxidation potential of the water increases by up to 100 mV, effectively the water is beginning to disinfect itself without the use of any chemicals.

Choose the size of the ZPM according to the pressure loss. Pressure loss should be between 1 and 2 mWS (0,1 – 0,2 bar).

Downstream of the filter - mechanical disinfection:

The cavitation produce nano-bubbles that disinfect the water. The higher the pressure loss, the better the disinfection performance. Some pathogens (e.g. Cryptosporidium) as well as biofilm rotected colonies of bacterium floc are extremely resistant to chlorine. The ZPM breaks these colonies or floc apart and allows chlorine to disinfect the water before it reaches the pool.

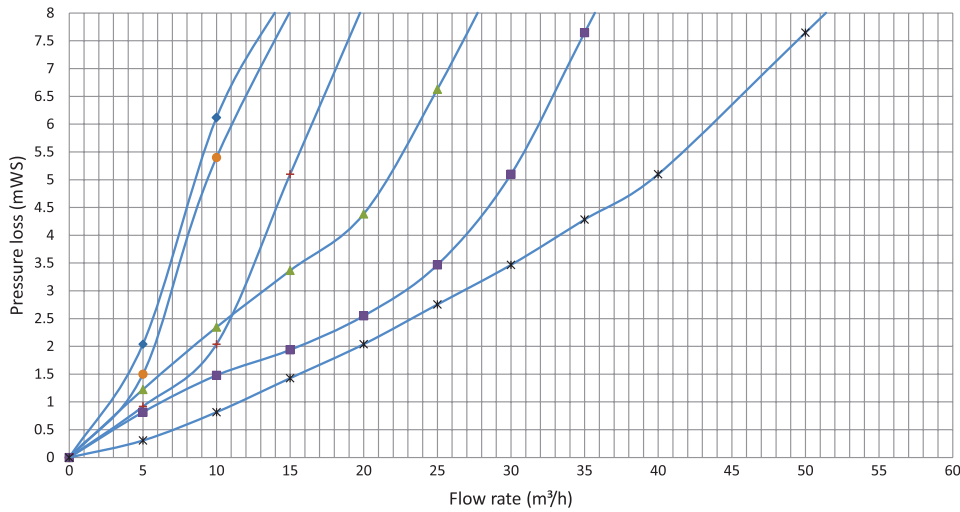
Choose the size of the ZPM according to the pressure loss. Pressure loss should be between 1 and 5 mWS (0,1 – 0,5 bar)



Imploding nano-bubbles disinfecting water

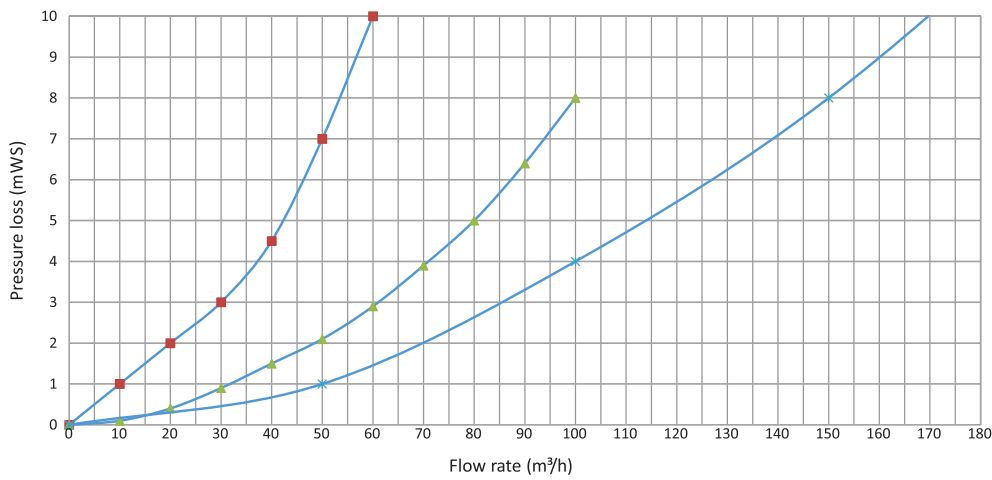
CODE	SIZE	NO. OF FINNS	CONN.	LENGTH	PRESSURE LOSS (M ³ /H)			PACKING	WEIGHT	VOLUME
				mm	2mWS 0.2bar	3mWS 0.3bar	5mWS 0.5bar		kg	m ³
30000	DN 40	3	1" ET	235	5	6.5	8.5	1	0.75	0.0009
30001	DN 40	2	1½" ET	195	10	12	15	1	0.75	0.0008
30002	DN 50	3	2" ET	300	8.5	13	21.5	1	1.2	0.0014
30003	DN 50	2	2" ET	240	15	23	30	1	1.2	0.0012
30004	DN 65	3	2½" ET	332	20	27	40	1	2.8	0.0023
30005	DN 80	3	3" FL	419.6	20	30	45	1	11.2	0.0036
30006	DN 100	3	4" FL	519.6	50	60	80	1	14.4	0.0079
30013	DN 125	3	5" FL	640	70	85	115	1	21	0.0259
30007	DN 150	3	6" FL	759.6	100	125	170	1	26.8	0.0148
30008	DN 200	3	8" FL	979.6	175	220	290	1	41.2	0.0576
30009	DN 250	3	10" FL	1219.6	260	325	420	1	58.6	0.0956

Pressure loss DN 32 - DN 65



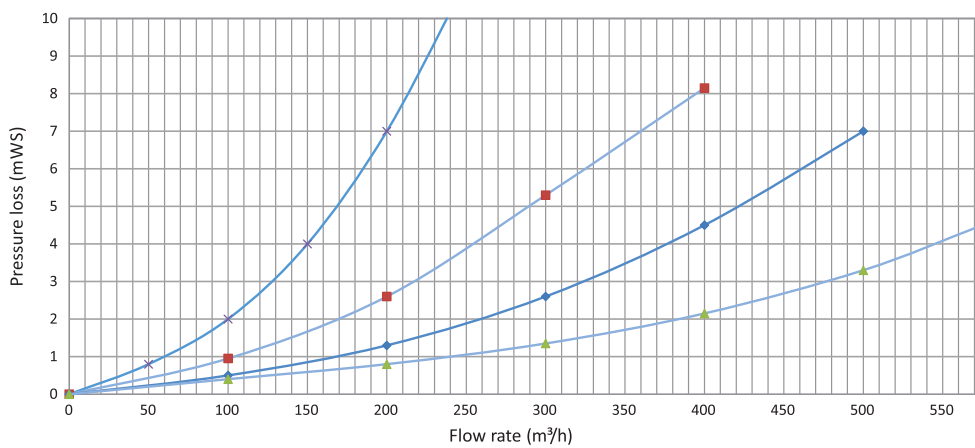
- ZPM 30032 DN 32-2
- ◆ ZPM 3000 DN 40-3
- ◆ ZPM 3001 DN 40-2
- ▲ ZPM 3002 DN 50-3
- ZPM 3003 DN 50-2
- ✱ ZPM 3004 DN 65-3

Pressure loss DN 80 - DN 125



- ZPM 30005 DN 80-3
- ▲ ZPM 30006 DN 100-3
- ✱ ZPM 30013 DN 125-3

Pressure loss DN 150 - DN 250



- ✱ ZPM 30007 DN 150-3
- ZPM 30008 DN 200-3
- ◆ ZPM 30009 DN 250-3



02 PUMPS & COUNTER CURRENT

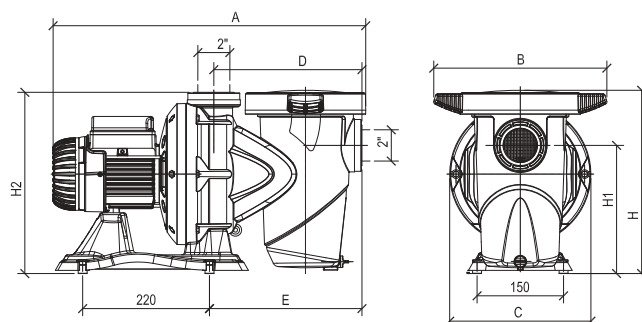
INDEX

01	SELF PRIMING PUMP "EUROSWIM"	48
02	SELF PRIMING PUMP "OPTIMA"	50
03	SELF PRIMING PUMP "WINNER"	52
04	SELF PRIMING PUMP "LIPARI"	54
05	VARIABLE SPEED PUMP "E.SWIM"	56
06	VARIABLE SPEED "E.W NNER"	58
07	SELF PRIMING PUMP "KPA"	60
08	SELF PRIMING PUMP "MAGNUS"	62
09	VARIABLE SPEED PUMP "VSD.MAGNUS"	64
10	SELF PRIMING PUMP "VERT MAGNUS"	67
11	CENTRIFUGAL PUMP 2900 R.P.M. IN CAST IRON & BRONZE	68
12	ENTRIFUGAL PUMP "VERT CF-2/ VERT HF-2"	70
13	CENTRIFUGAL PUMP 1450 R.P.M. IN CAST IRON	72
14	CENTRIFUGAL PUMP "VERT CF-4/ VERT HF-4"	74
15	SUBMERSIBLE PUMP WITH INTERNAL FLOAT "VERTY NOVA"	76
16	AQUA COMBO FILTERATION SYSTEM	77
17	AQUA PREASSEMBELED COMPLETE BUNKER ROOM	78
18	STAINLESS STEEL PREFILTERS	84
19	CAST IRON PRE FILTER	85
20	COUNTER CURRENT PUMP "PCC" 2900 R.P.M	86

01 SELF PRIMING PUMP “EUROSWIM”

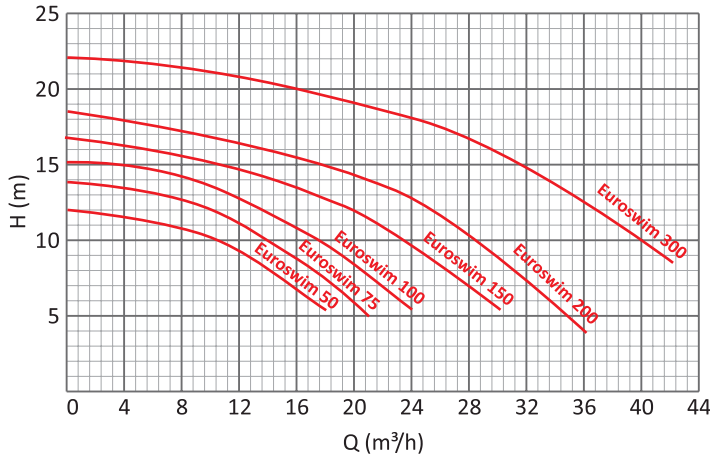


- High efficiency self-priming centrifugal pumps with built-in large capacity prefilter.
- Extremely quiet running and great reliability, developed for water circulation and filtration in domestic and residential swimming pools.
- Suitable also for special applications that call for handling of aggressive liquids, in fish farms, agriculture and industry.
- Pump body in fibreglass reinforced technopolymer.
- Strainer cover in clear antioxidant polycarbonate to guarantee constant visibility through time.
- Nylon strainer. Impeller in fibreglass-reinforced technopolymer developed to ensure total coverage and isolation of the motor shaft from the pumped liquid.
- Diffuser in reinforced technopolymer. Mechanical seal in carbon/alumina/NBR/AISI 316.
- Pump body O-rings in NBR, threaded fasteners and reinforcing rings in AISI 304.
- Butterfly drain plugs that can be removed and refitted without tools.
- Asynchronous continuous duty 2-pole motor (51) with generous range of power ratings from 0.5 HP to 3 HP, single phase and three-phase.
- Motor casing in die cast aluminium with electrophoretic surface treatment to prevent oxidation even in aggressive environmental conditions.
- Baseplate supplied as standard with rubber mounts to reduce vibration transmission.
- Single phase version with integral thermal and over current protection and permanent split capacitor (PSC), assembled inside the terminal box for all versions.
- Motor and terminal box protection rating: IP55



- Insulation class: F
- Standard voltage: Single phase 220-240V 50Hz
- Three-phase 230/400V 50Hz
- 2900 R.E.M.
- Operating range: up to 42 m³/h with pressure head of up to 22 m
- Maximum operating pressure: 2,5 bar
- Liquid temperature range: up to 60° C, Maximum ambient temperature: + 50° C

CODE	CONNECTION DNA/DNM	INTENSITY A			DIMENSIONS								PACKING	WEIGHT kg	VOLUME m ³
		II 230	III 230	III 400	A	B	C	D	E	H	H1	H2			
EUROSWIM 50M	2"	4.2	-	-	536	242	242	257	265	351	222	314	1	16	0.086
EUROSWIM 75M	2"	5	-	-	552	242	245	257	265	351	222	314	1	16.5	0.086
EUROSWIM 75 T	2"	-	3.5	2	552	242	245	257	265	351	222	314	1	16.5	0.086
EUROSWIM 100 M	2"	6.3	-	-	552	242	245	257	265	351	222	314	1	17	0.086
EUROSWIM 100 T	2"	-	4	2.4	552	242	245	257	265	351	222	314	1	17	0.086
EUROSWIM 150M	2"	7	-	-	574	250	290	267	274	387	258	350	1	22	0.10
EUROSWIM 150 T	2"	-	6.5	3.7	574	250	290	267	274	387	258	350	1	22	0.10
EUROSWIM 200 M	2"	8.6	-	-	648	250	290	267	274	387	258	350	1	24	0.10
EUROSWIM 200 T	2"	-	7.2	4	648	250	290	267	274	387	258	350	1	22	0.10
EUROSWIM 300 M	2"	12	-	-	648	252	290	267	274	387	258	350	1	24.5	0.10
EUROSWIM 300 T	2"	-	8.7	5	648	252	290	267	274	387	258	350	1	24.5	0.10



HYDRAULIC FEATURES:

SINGLE PHASE MODELS	THREE PHASE MODELS	HEIGHT	FLOW (m³/h)													
		(m)	4	6	8	10	12	14	16	18	20	22	24			
EUROSWIM 50M		FLOW (m³/h)		17	15	11										
EUROSWIM 75M	EUROSWIM 75 T			20	18	14	11									
EUROSWIM 100	EUROSWIM 100 T				23	21	18	15	9							
EUROSWIM 150	EUROSWIM 150 T				30	27	23	20	14	7						
EUROSWIM 200	EUROSWIM 200 T			36	34	31	29	26	21	14	4					
EUROSWIM 300	EUROSWIM 300 T						40	38	33	30	24	16	4			

ELECTRIC FEATURES:

PUMP MODEL	INPUT POWER P1 W		MOTOR POWER P2		NOISE LEVEL MAX db A	
	50HZ	240-220*1V~	400-230*3V~	kW		HP
EUROSWIM 50M		900		0.33	0.5	60
EUROSWIM 75 M		1000		0.5	0.75	60
EUROSWIM 100 M		1300		0.75	1	60
EUROSWIM 150 M		1600		1.1	1.5	60
EUROSWIM 200 M		1900		1.5	2	60
EUROSWIM 300 M		2800		2.2	3	60
EUROSWIM 75 T			950	0.5	0.75	60
EUROSWIM 100 T			1200	0.75	1	60
EUROSWIM 150 T			1500	1.1	1.5	60
EUROSWIM 200 T			1900	1.5	2	60
EUROSWIM 300 T			2800	2.2	3	60

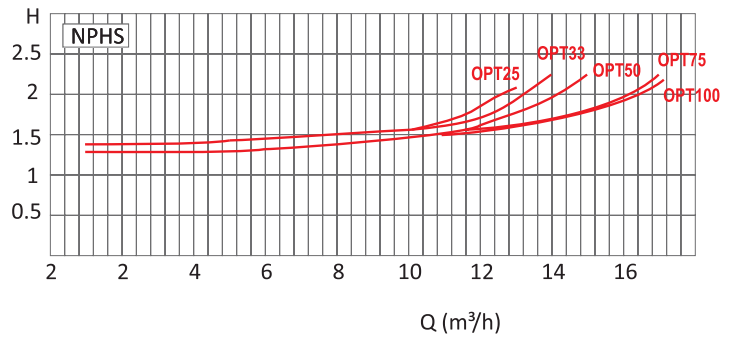
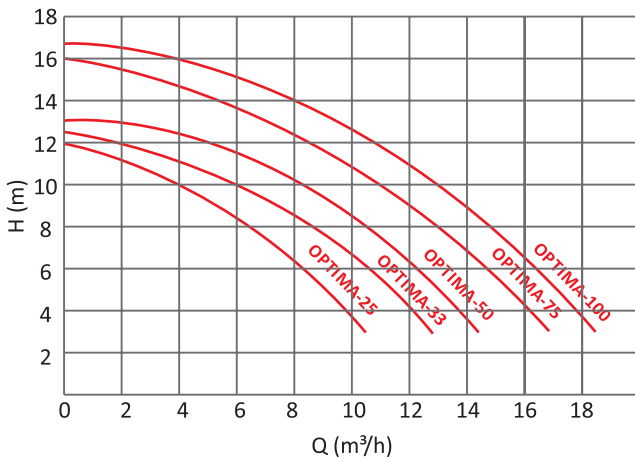
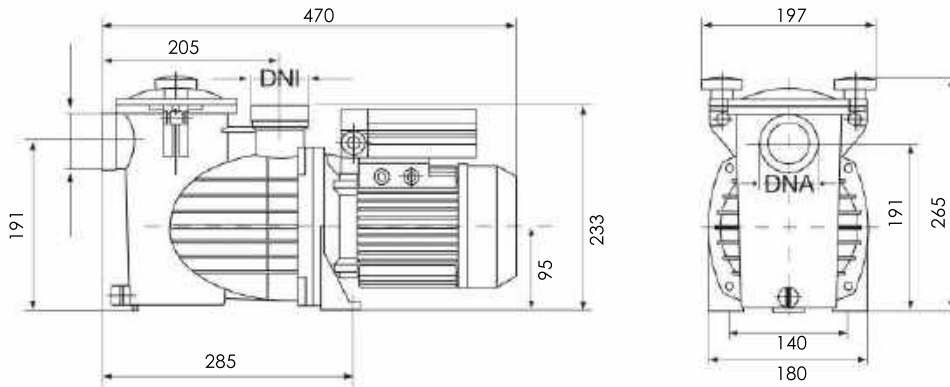
O2 SELF PRIMING PUMP "OPTIMA"

- Electrical self priming pump for swimming pools with a large pre-filter, which together with its excellent hydraulic performance, gives a very large filtering capacity.
- A filter with a transparent polycarbonate lid that easily allows inspection of the interior of the pre-filter sieve.
- No possible electrical contact with the water as no part of the motor is open to it.
- Pump body, lid and diffuser in polypropylene, resistant to the chemical products in pools and reinforced with glass fiber, guaranteeing excellent duration.
- Shaft in stainless steel AISI-316. Noryl impeller.
- Transparent lid in polycarbonate. Support base in aluminium.
- Mechanical seal in carbon-ceramic and stainless steel AISI-316 (ready to work with sea water). Bolts in AISI-304 stainless steel.
- The pumps allows two possible connections:
 - Female thread of 1"
 - Connection for PVC pipe \varnothing 50 to glue.
- Standard asynchronous motor, sealed from external ventilation. Protection IP-55 50 Hz.
- Class F insulation. Motor bearings greased for life and selected to ensure long duration and silent working.
- 2900 R.P.M.



Large volume pre-filter sieve to be able to offer high quality filtering and not require the sieve to be cleaned constantly when the pool is excessively dirty.

CODE	CONNECTION (DNA/DNI)	INTENSITY A			PACKING	WEIGHT	VOLUME
		II 230	III 230	III 400		kg	m ³
OPTIMA-25M	1½"-Ø50	2.6	-	-	1	9.5	0.052
OPTIMA-25T		-	1.3	0.8			
OPTIMA-033M	1½"-Ø50	2.9	-	-	1	10	0.052
OPTIMA-033T		-	1.9	1.1			
OPTIMA-050M	1½"-Ø50	3.3	-	-	1	10.5	0.052
OPTIMA-050T		-	2.5	1.4			
OPTIMA-075M	1½"-Ø50	3.8	-	-	1	10.5	0.052
OPTIMA-075T		-	3	1.7			
OPTIMA-100M	1½"-Ø50	4.2	-	-	1	10.5	0.052
OPTIMA-100T		-	3.4	2			



HYDRAULIC FEATURES:

SINGLE PHASE MODELS	THREE PHASE MODELS	HEIGHT	4	6	8	10	11	12	13	14	15	16
		(m)										
OPTIMA-25M	OPTIMA-25T	FLOW (m³/h)	10	8	6	4	2.5	0.5				
OPTIMA-033M	OPTIMA-033T		12	10	8	5.5	4.6	2				
OPTIMA-050M	OPTIMA-050T		14	12	10	7	6.5	5				
OPTIMA-075M	OPTIMA-075T		16	15	12.5	10	9.3	8	6.6	4.2	2	
OPTIMA-100M	OPTIMA-100T		18	16	15.3	13	12.1	10.5	9.7	7.6	6	4

ELECTRIC FEATURES:

SINGLE PHASE MODELS	THREE PHASE MODELS	INPUT POWER P1 kW		MOTOR POWER P2		NOISE LEVEL
		SINGLE PHASE	THREE PHASE	kW	HP	
50HZ	50HZ					MAX db A
OPTIMA-25M	OPTIMA-25T	0.53	0.53	0.16	0.25	62
OPTIMA-033M	OPTIMA-033T	0.55	0.55	0.25	0.33	63
OPTIMA-050M	OPTIMA-050T	0.68	0.68	0.37	0.50	64
OPTIMA-075M	OPTIMA-075T	0.88	0.85	0.55	0.75	66
OPTIMA-100M	OPTIMA-100T	0.97	0.89	0.70	0.95	68

03 SELF PRIMING PUMP "WINNER"

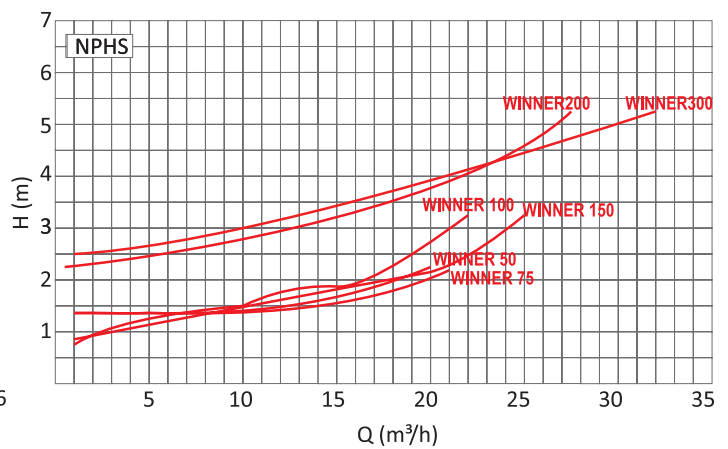
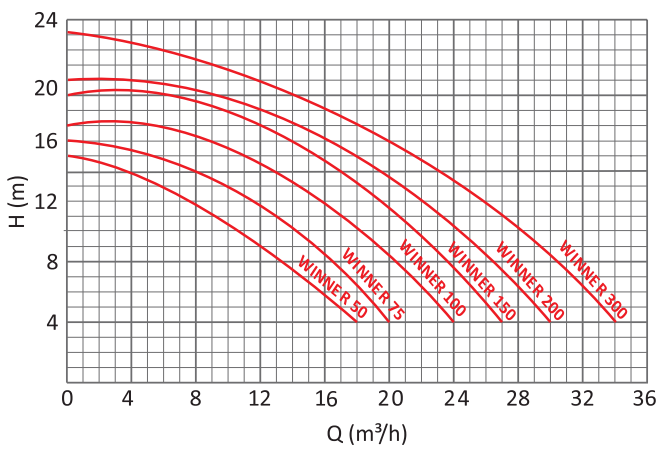
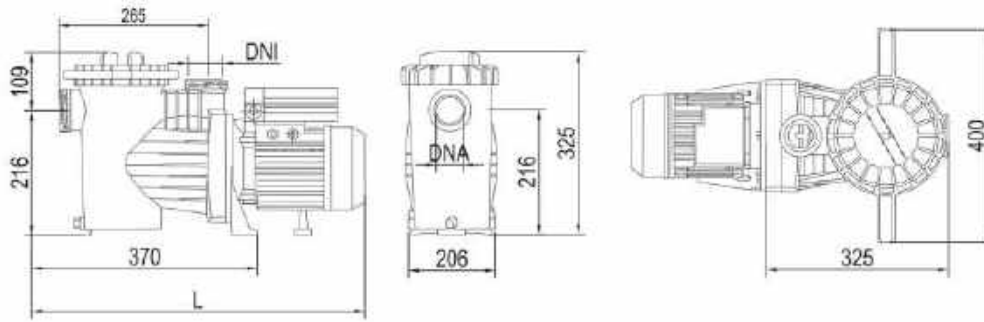
- Electrical self priming pump for swimming pools with a large pre-filter, which together with its excellent hydraulic performance, gives a very large filtering capacity.
- A filter with a transparent polycarbonate lid that easily allows inspection of the interior of the pre-filter sieve.
- No possible electrical contact with the water as no part of the motor is open to it. Includes a standard key for effortless opening of the pre-filter lid, and fittings kit for gluing.
- Pump body, lid, diffuser and opening key in polypropylene, resistant to the chemical products in pools and reinforced with glass fiber, guaranteeing
- Shaft in stainless steel AISI-316. Noryl impeller.
- Transparent lid in polycarbonate. Support base in aluminium.
- Mechanical seal in stainless steel AISI-316 (ready to work with sea water). Bolts in AISI-304 stainless steel.
- The pumps allows two possible connections:
 - Femal thread of 2"
 - Connection IP-55 50Hz.
- Standard asynchronous motor, sealed from external ventilation.
- Protection IP-55 5-Hz.
- Class F insulation. Motor bearings greased for life and selected to ensure long duration and silent working.
- 2900 R.P.M.



Large volume pre-filter sieve to be able to offer high quality filtering and not require the sieve to be cleaned constantly when the pool is excessively dirty.

Pre-filter lid key supplied standard with each pump, which allows effortless lid opening and great comfort as it can be held with both hands.

CODE	CONNECTION (DNA - DNI)	INTENSITY A			LENGTH (L)	PACKING	WEIGHT	VOLUME
		II 230	III 230	III 400	mm		kg	m ³
WINNER-50M	2"- Ø63	4.4	-	-	550	1	12.5	0.052
WINNER-50T	2"- Ø63	-	2.4	1.4	550	1	12.5	0.052
WINNER-75M	2"- Ø63	4.75	-	-	550	1	13	0.052
WINNER-75T	2"- Ø63	-	3.1	1.8	550	1	12.5	0.052
WINNER-100M	2"- Ø63	5.5	-	-	550	1	14	0.052
WINNER-100T	2"- Ø63	-	3.8	2.2	550	1	14	0.052
WINNER-150M	2"- Ø63	7.3	-	-	575	1	17	0.052
WINNER-150T	2"- Ø63	-	5.0	2.9	575	1	15.5	0.052
WINNER-200M	2"- Ø63	9.2	-	-	647	1	18.5	0.052
WINNER-200T	2"- Ø63	-	6.0	3.5	575	1	17	0.052
WINNER-300M	2"- Ø63	12.2	-	-	650	1	22	0.058
WINNER-300T	2"- Ø63	-	8.6	5.0	650	1	19	0.058



HYDRAULIC FEATURES:

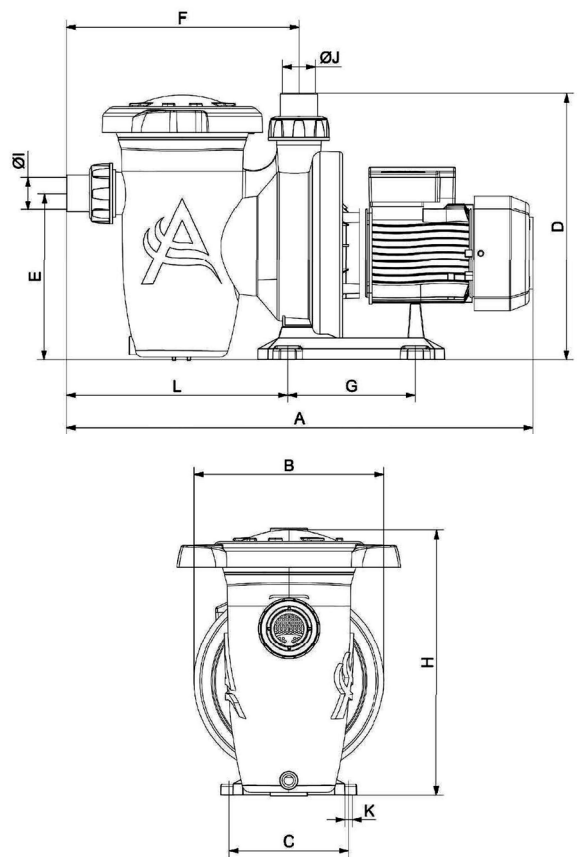
SINGLE PHASE MODELS	THREE PHASE MODELS	HEIGHT	FLOW (m³/h)											
		(m)	4	6	8	10	12	14	16	18	21	23		
WINNER-50M	WINNER-50T	FLOW (m³/h)	17.5	15.6	13.5	11.1	8.4							
WINNER-75M	WINNER-75T		19.5	18	15.7	13.5	10.8	7.9						
WINNER-100M	WINNER-100T		23.2	21.1	19.7	18	15	12.3	8.7					
WINNER-150M	WINNER-150T		27	25	23	21	19	17	14	10				
WINNER-200M	WINNER-200T			28	26	24	21	18	14	12				
WINNER-300M	WINNER-300T				32	30	29	27	23	20	15	12	6	

ELECTRIC FEATURES:

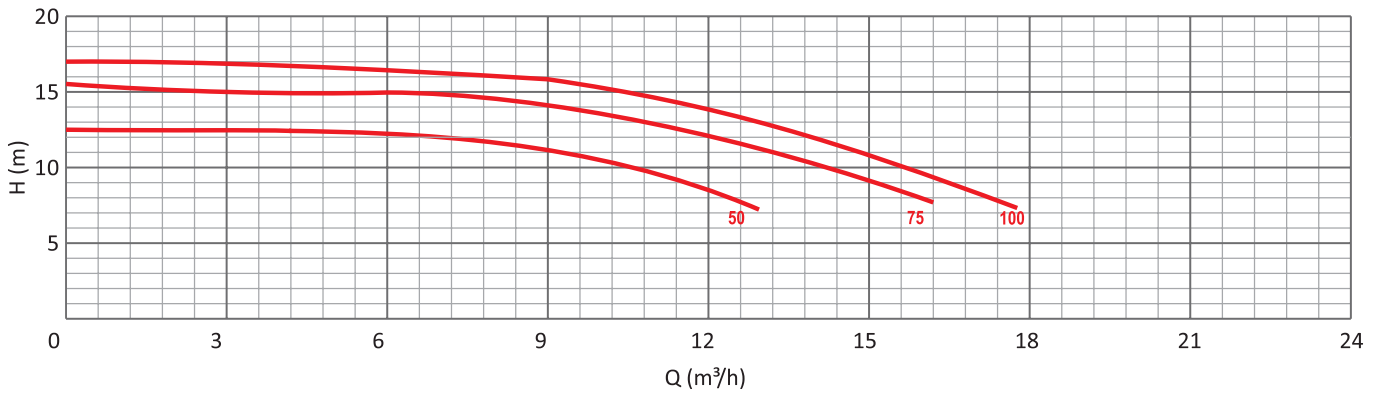
SINGLE PHASE MODELS	THREE PHASE MODELS	INPUT POWER P1 kW		MOTOR POWER P2		NOISE LEVEL MAX db A
		50HZ	50HZ	50HZ	50HZ	
WINNER-50M	WINNER-50T	0.98	0.96	0.37	0.50	65
WINNER-75M	WINNER-75T	1.11	1.1	0.55	0.75	66
WINNER-100M	WINNER-100T	1.3	1.28	0.75	1	67
WINNER-150M	WINNER-150T	1.7	1.75	1.1	1.5	69
WINNER-200M	WINNER-200T	2.1	2.18	1.5	2	71
WINNER-300M	WINNER-300T	2.23	2.25	2.2	3	71

04 SELF PRIMING PUMP "LIPARI"

- Self-priming centrifugal motor pumps with in-built pre-filter.
- Pump body and pre-filter ring nut in polypropylene reinforced with glass fibres.
- Pre-filter lid in transparent PVC.
- Fibreglass reinforced noryl impeller.
- Mechanic seal in graphite/aluminium oxide/VITON/ AISI 316.
- Pump body Oring in VITON, reinforcement screws and ring nuts in AISI 304 steel.
- Butterfly charge/discharge valves that do not require special tools to be removed/refitted.
- Motor and terminal box protection class: IP 55.
- Insulation class: F.
- Series voltage: single-phase 220/240V - 50 Hz.
- Range of operation: up to 16 cu. m/h with prevalence up to /10m.
- Pumped fluid: clean or slightly dirty water with floating solid matter.
- Liquid operating temperature: up to 50° C.
- Maximum surrounding temperature: +50 °c.
- Max. operating pressure: 2.5 bar.
- Installation: fixed or portable, in horizontal position.



CODE	CONNECTION (DNA - DNI)	INTENSITY A		DIMENSIONS											PACKING	WEIGHT kg	VOLUME m³
		II 230	III 230	A	B	C	D	E	F	G	H	L	J	K			
LIPARI 50 M	2"	3		625	253	160	355	222	310	170	353	295	50	10	1	9	0.065
LIPARI 75 M	2"	4.2		625	253	160	355	222	310	170	353	295	50	10	1	10	0.065
LIPARI 100 M	2"	5.1		625	253	160	355	222	310	170	353	295	50	10	1	11	0.065
LIPARI 50 T	2"	1.2		625	253	160	355	222	310	170	353	295	50	10	1	9	0.065
LIPARI 75 T	2"	1.6		625	253	160	355	222	310	170	353	295	50	10	1	10	0.065
LIPARI 100 T	2"	2.0		625	253	160	355	222	310	170	353	295	50	10	1	11	0.065



HYDRAULIC FEATURES:

SINGLE PHASE MODELS	THREE PHASE MODELS	HEIGHT	7	9	11	13	15	17
		(m)						
LIMPARI-50M	LIMPARI-50T	FLOW (m³/h)	13	11	9			
LIMPARI-75M	LIMPARI-75T			14	13	11	3	
LIMPARI-100M	LIMPARI-100T		17	16	15	13	10	3

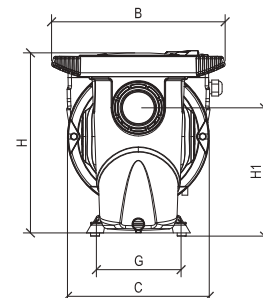
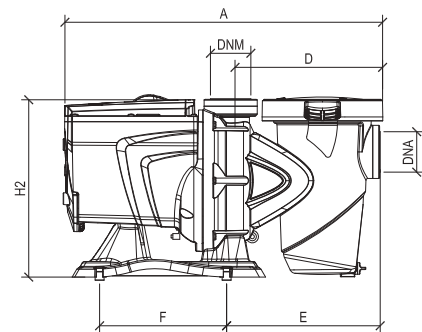
ELECTRIC FEATURES:

SINGLE PHASE MODELS	THREE PHASE MODELS	INPUT POWER P1 kW		MOTOR POWER P2		NOISE LEVEL
		SINGLE PHASE	THREE PHASE	kW	HP	
50HZ	50HZ					MAX db A
LIMPARI-50M	LIMPARI-50T	0.98	0.963	0.37	0.50	64
LIMPARI-75M	LIMPARI-75T	1.11	1.1	0.55	0.75	66
LIMPARI-100M	LIMPARI-100T	1.11	1.1	0.75	1	68

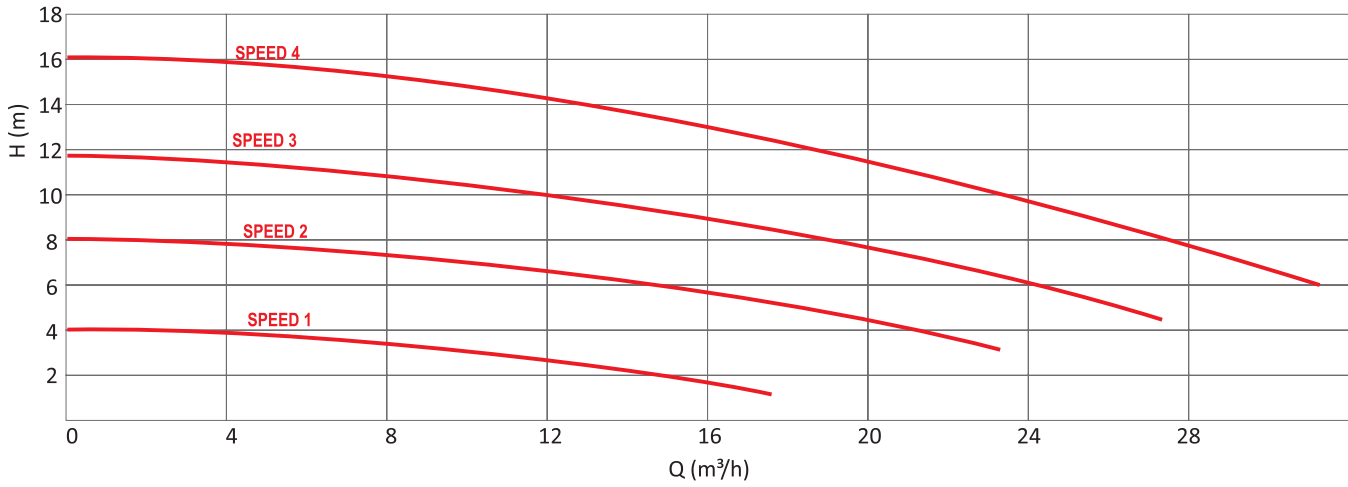
05 VARIABLE SPEED PUMP "E.SWIM"



- High efficiency self-priming centrifugal pumps with builtin large capacity prefilter.
- Extremely quiet running and great reliability, developed for water circulation and filtration in domestic and residential swimming pools.
- Pump body in fibreglass reinforced technopolymer.
- Strainer cover in clear antioxidant polycarbonate to guarantee constant visibility through time.
- Nylon strainer. Impeller in fibreglass-reinforced technopolymer developed to ensure total coverage and isolation of the motor shaft from the pumped liquid.
- Diffuser in reinforced technopolymer. Mechanical seal in carbon/alumina/NBR/AISI 316.
- Butterfly drain plugs that can be removed and refitted without tools.
- Pump is controlled by an electronic devise based on trench IGBT technology of the latest generation for higher efficiency and robustness
- Two dedicated 32-bit processor (one of motor control and one for the user interface), intuitive user interface and external input ensure ease of setting for all users.
- Range reduction one model covers the performances of 4 pumps (0,5HP-0,75-1HP-1,5 HP)
- Motor and terminal box protection rating: Ip55
- Insulation class: F
- Standard voltage: Single phase 230v - 50/60 Hz
- Working with 4 speed RPM: 2250,3150,3825,4500
- Operating range: Up to m3/h with head of Up to 15,4 meters.
- Maximum operating pressure 2.5 Bar



CODE	CONNECTION (DNA - DNM)	INTENSITY A		DIMENSIONS										PACKING	WEIGHT kg	VOLUME m ³
		II 230	III 230	A	B	C	D	E	F	G	H	H1	H2			
E.SWIM 150 M	2"	5.6	-	550	300	245	259	266	220	150	316	217	309	1	19	0.086



HYDRAULIC FEATURES:

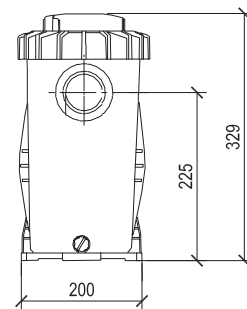
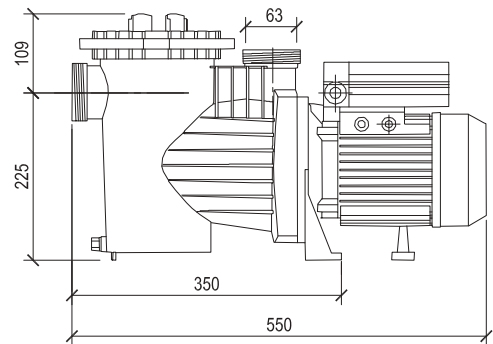
SPEED VARIATIONS	HEIGHT	1	3	5	7	9	11	13	15
	(m)								
SPEED 1-2250 RPM	FLOW (m³/h)		12						
SPEED 2-3150 RPM			23	16	12				
SPEED 3-3825 RPM						27	16	8	
SPEED 4-4500 RPM						30	24	21	17

ELECTRIC FEATURES:

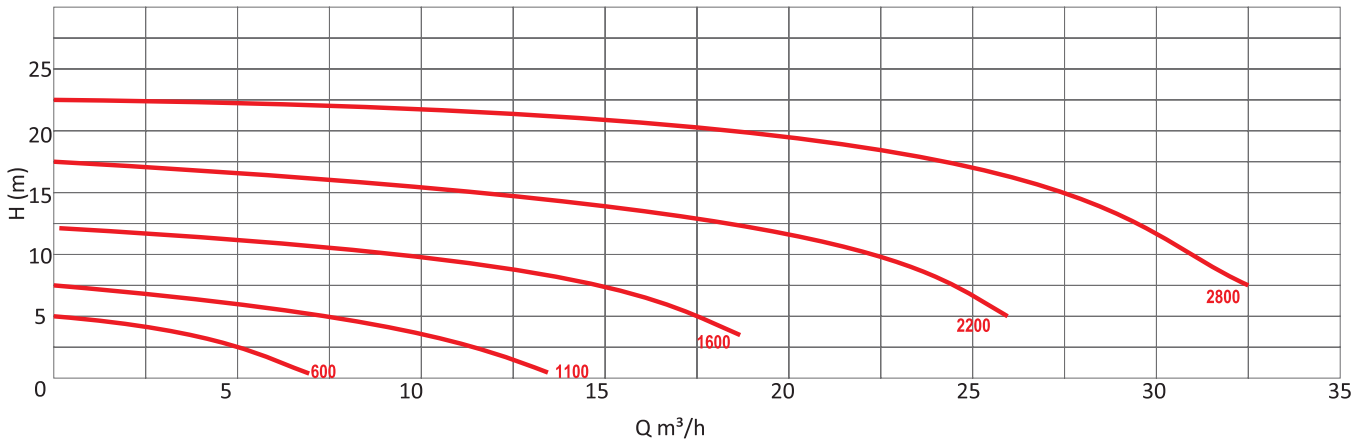
PUMP MODELS	RPM	INPUT POWER P1 50/60 HZ	OUTPUT POWER P2		NOISE LEVEL
			kW	HP	
E.SWIM 150		kW	kW	HP	MAX db A 50
	2250	0.22	0.22	0.3	
	3150	0.53	0.51	0.64	
	3825	0.85	0.83	1.12	
	4500	1.25	1.24	1.66	

06 VARIABLE SPEED PUMP "E.WINNER"

- The new high efficiency synchronous motors with permanent magnets.
- Incorporates a specially developed software for automation of the winner pump with an easy and intuitive programming
- Very significant energy saving can reach more than 80 % of the energy cost
- Extremely silent ("40 dB)
- Total adaptability, speed range from 600 rpm to 2,850 rpm. The pump automatically sets to the point of maximum savings.
- Great versatility, one single model to any size of pool
- Winner is able to control filtration, fountains, backwashing and vacuuming in any situation
- New IPM sensor less brushless motor with permanent magnets, which reduce the engine temperature and extends the life of bearings
- High protection, the parameters set during programming protection your pump, installation, filter and users.
- Integrating connectivity to manage salt chlorinator, heat pum, lights, etc.
- Large LCD display where all necessary information is clearly reflected.



CODE	CONNECTION (DNA - DNI)	INTENSITY A		PACKING	WEIGHT	VOLUME
		II 230	III 230		kg	m ³
E.WINNER 300	2" - Ø63	12.2	-	1	17	0.06



HYDRAULIC FEATURES:

PUMP MODEL	RPM	HEIGHT	3	6	9	12	15	18	21	24
		(m)								
E.WINNER 300	600	FLOW (m³/h)	4.5							
	1100		11	5						
	1600			16.5	12	1				
	2200			26	23.1	19	12			
	2800				31.5	30	27.5	24	14	

ELECTRIC FEATURES:

PUMP MODELS	RPM	INPUT POWER P1 50 HZ	OUTPUT POWER P2		NOISE LEVEL
		kW	kW	HP	MAX db A
E.WINNER 300	600	0.018	2.2	3	40
	1100	0.11			
	1600	0.33			
	2200	0.88			
	2800	1.75			

07 SELF PRIMING PUMP “KPA”



KPA-250/550

- Thermoplastics injected pre-filter high capacity (8.1)
- Hydraulic body in noryl charged with fiber glass
- Hinged cover screws with stainless steel studs.
- Impeller and flange in noryl charged with fiber glass.
- MOTOR: IP 55 protection, insulation class F. 50 hz. 2.850 R.P.M.
- MAXIMUM WATER: Temperature 50°C, maximum pressure 2,5 BAR.



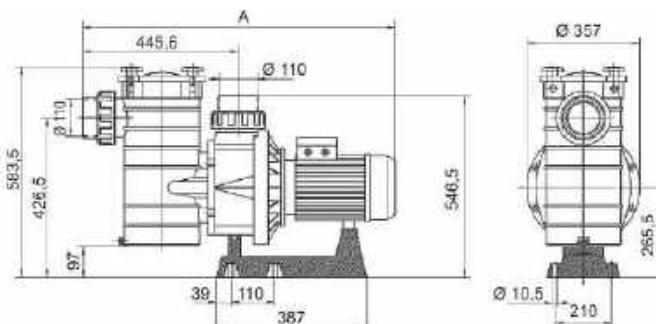
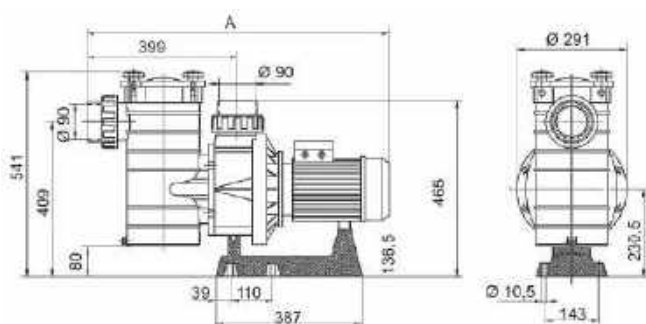
KPA - 500/1250

KPA - 500/1250

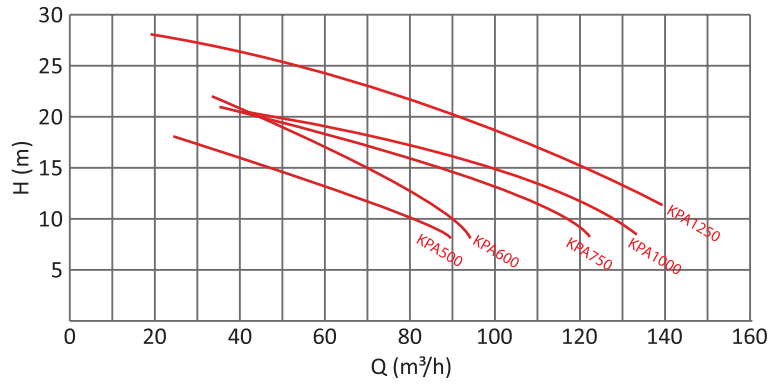
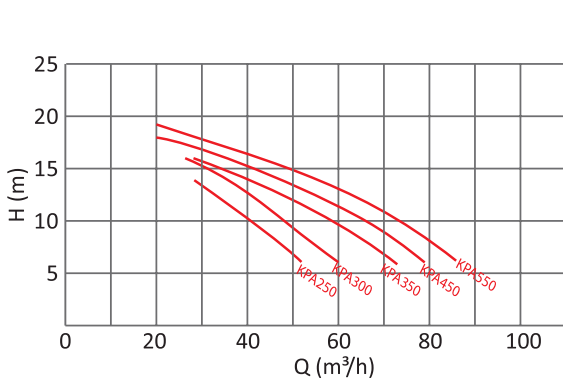
- Thermoplastics injected pre-filter high capacity(14.1)
- Hydraulic body in noryl charged with fiber glass.
- Hinged cover screws with stainless steel studs.
- Impeller, diffuser and flange in noryl charged with fiber glass.
- MOTOR: IP 55 protection, insulation class F. 50 hz. 2.850 R.P.M.
- MAXIMUM WATER: Temperature 50°C, maximum pressure 3,0 BAR.



KPA - 250/550



CODE	CONNECTION (DNA - DNI)	INTENSITY A				DIMENSIONS	PACKING	WEIGHT	VOLUME
		mm	II 230	III 230	III 400				
KPA 250M	90	12.4	-	-	-	760	1	28.5	0.14
KPA 300M	90	14.5	-	-	-	760	1	30.5	0.14
KPA 250	90	-	8.3	4.8	-	760	1	25.5	0.14
KPA 300	90	-	8.8	5.1	-	760	1	26.2	0.14
KPA 350	90	-	10.4	6.0	-	801	1	30.5	0.14
KPA 450	90	-	11.7	6.75	-	801	1	30.5	0.14
KPA 550	90	-	14.6	8.5	5.0	815	1	35.5	0.14
KPA 500	110	-	15.6	9	5.2	889	1	45	0.21
KPA 600	110	-	20	11.5	6.6	914	1	46	0.21
KPA 750	110	-	20.9	12.1	7	914	1	52	0.21
KPA 1000	110	-	27.3	15.8	9.2	944	1	66	0.21
KPA 1250	110	-	31.2	18	10.4	984	1	76	0.21



HYDRAULIC FEATURES:

SINGLE PHASE MODELS	THREE PHASE MODELS	HEAD	FLOW (m³/h)											
		(m)	6	8	10	12	14	16	18	20	22	24	26	
KPA250M	KPA250M	FLOW (m³/h)	52	47	41	35	28							
KPA300M	KPA300M		60	54	48	42	35	26						
	KPA 350		73	60	58	50	41	28						
	KPA 450		75	70	66	57	47	36	23					
	KPA 550		86	80	73	67	52	42	28					
	KPA 500			90	80	64	47.5	39.9	23					
	KPA 600			94.5	90	84.2	75.5	64	46.2	41				
	KPA 750			122	117	108	92	80	57	44				
	KPA 1000			133	128	112	105.5	90	70	49				
	KPA 1250					139	126	118	100	90	82	63	40	

ELECTRIC FEATURES:

PUMP MODELS	INPUT POWER P1	OUTPUT POWER P2		NOISE LEVEL
		kW	HP	
50 HZ	kW	kW	HP	MAX db A
KPA250M	2.30	1.8	2.5	65.2
KPA300M	2.76	2.2	3.0	65.8
KPA 350	3.70	9.6	3.5	68.4
KPA 450	4.30	3.3	4.5	74
KPA 550	4.70	4.1	5.5	82
KPA 500	4.70	4.1	5.5	80
KPA 600	5.75	4.8	6.5	82
KPA 750	7.00	5.5	7.5	85
KPA 1000	8.70	7.4	10	87
KPA 1250	10.2	9.3	12.5	87

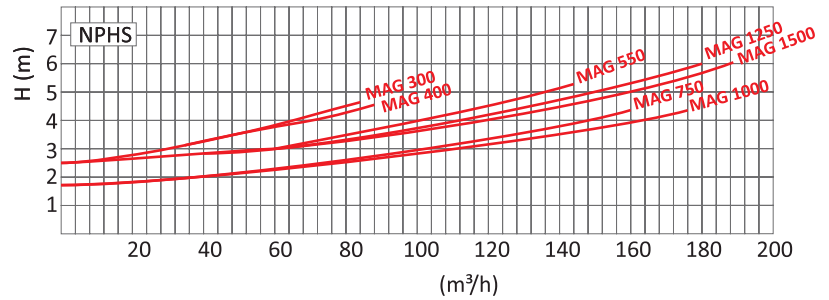
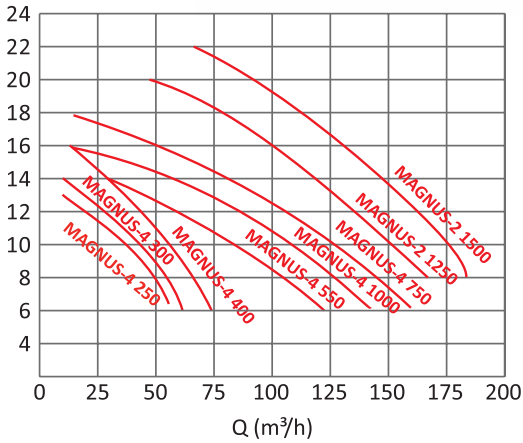
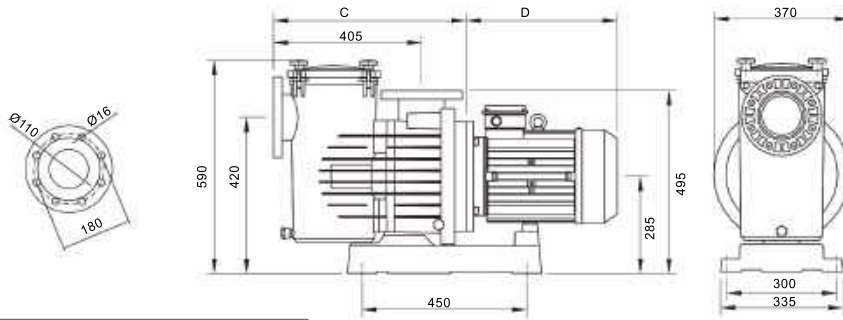
08 SELF PRIMING PUMP “MAGNUS”

- High-volume self priming pump available in 2 and 4 poles versions ideal for larger filtration systems. Features large suction side pre-filter which together with excellent hydraulic performance ensures extremely high filtration capacity. Together with its excellent hydraulic performance, gives a very large filtering capacity.
- Filter with polycarbonate cover for easy viewing of pre-filter basket contents.
- Features standard connection flanges which together with a broad base make the system especially robust.
- Counter-flanges not supplied as standard (available on request).
- Turbine available in 2 versions, Noryl or marine bronze, as per request.
- Pre-filter body, pump body, volute, counter volute and cover in glass fibre loaded polypropylene resistant to pool chemicals. Pre-filter basket in polythene. Poly-carbonate pre-filter cover with four-pin closure system.
- Impeller comes with two materials Noryl & Bronze. Mechanical seal with ceramic carbon and AISI - 316 stainless steel (ready to work with sea water). Screw in AISI - 316 stainless Steel. Shalt in AISI - 316 stainless steel.
- Enclosed asynchronous motor, with external ventilation. Protection grade IP-55.
- Class F insulation.
- Frequency 50Hz and 60Hz.
- Motor bearings greased for life and selected to ensure long duration and silent operation.
- Maximum water temperature +40°C
- Pump with two RPM,1450(model 25010 1000), 2850 (model 1250 81 1500)



4 poles motor for power ratings between 3 and 10hp. 2 poles motor for 12.5 and 15hp. With all models impeller available in noryl or bronze.

CODE	CONNECTIONS (DNA - DNI)	INTENSITY A		C	D	PACKING	WEIGHT	VOLUME
	mm	III 230	III 400				mm	kg
MAGNUS-4 250	110	8.5	4.9	530	310	1	42	0.19
MAG-4-250-BRIM	110	8.5	4.9	530	310	1	42	0.19
MAGNUS-4 300	110	9.4	5.3	530	310	1	42.5	0.19
MAG-4-300-BRIM	110	9.4	5.3	530	310	1	42.5	0.19
MAGNUS-4 400	110	12.5	6.9	530	310	1	44.5	0.19
MAG-4-400-BRIM	110	12.5	6.9	530	310	1	44.5	0.19
MAGNUS-4 550	110	15.3	8.8	530	335	1	53.4	0.32
MAG-4-450-BRIM	110	15.3	8.8	530	335	1	53.4	0.32
MAGNUS-4 750	110		12	508	380	1	66	0.32
MAG-4-750-BRIM	110		12	508	380	1	66	0.32
MAGNUS-4 1000	110		15.8	508	380	1	76	0.32
MAG-4-1000-BRIM	110		15.8	508	380	1	76	0.32
MAGNUS-2-1250-BRIM	110		18.5	508	380	1	84.5	0.32
MAGNUS-2-1500-BRIM	110		20.9	508	380	1	85.5	0.32



HYDRAULIC FEATURES:

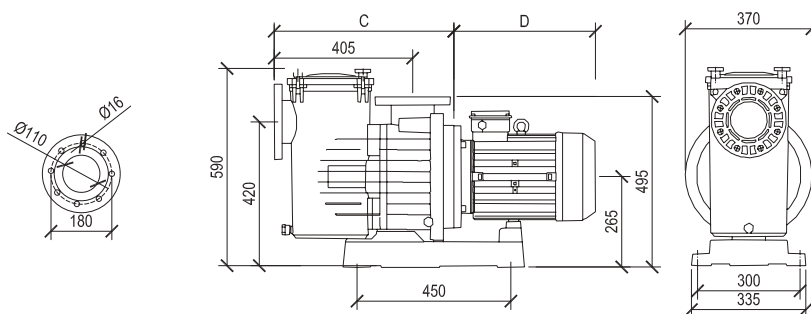
PUMP MODEL		HEIGHT													
		(m)	6	8	10	12	14	16	18	20	22				
MAGNUS-4 250		FLOW (m³/h)	53	43	32	18									
MAGNUS-4 300	MAG-300-BRIM		62	54	43	26	10								
MAGNUS-4 400	MAG-400-BRIM		74	66	56	42	29	14							
MAGNUS-4 550	MAG-550-BRIM		123	104	84	57	30								
MAGNUS-4 750	MAG-750-BRIM		143	127	107	85	57	12							
MAGNUS-4 1000	MAG-1000-BRIM		160	145	126	107	80	48	14						
	MAG-1250-BRIM			167	152	136	118	99	80	47					
	MAG-1500-BRIM			188	177	162	146	130	112	92	66				

ELECTRIC FEATURES:

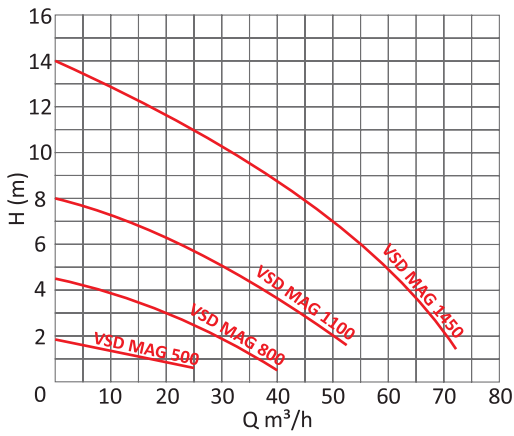
PUMP MODELS		INPUT POWER P1	OUTPUT POWER P2		NOISE LEVEL
50 HZ		kW	kW	HP	MAX db A
MAGNUS-4 250		2.43	1.8	2.5	59
MAGNUS-4 300	MAG-300-BRIM	2.97	2.2	3	60
MAGNUS-4 400	MAG-400-BRIM	3.83	3	4	61
MAGNUS-4 550	MAG-550-BRIM	5.54	4	5.5	63
MAGNUS-4 750	MAG-750-BRIM	6.85	5.5	7.5	65
MAGNUS-4 1000	MAG-1000-BRIM	8.26	7.5	10	66
	MAG-1250-BRIM	13.7	9.2	12.5	67
	MAG-1500-BRIM	15.7	11	15	68

09 VARIABLE SPEED PUMP "VSD. MAGNUS"

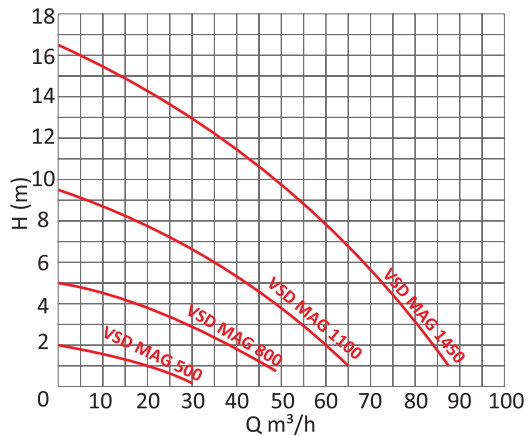
- VSD magnus is the new generation of commercial pool pumps integrating a new frequency inverter with magnus range.
- Very significant saving due to the pump can modify his working speed to the installation requirements
- Different work speed by different schedule.
- Communication between VSD magnus pumps.
- Alternate working by time.
- Extremely silent
- Motor overloaded protection by consumption.
- Self learning system for constant search of the parameters that determine the dry running



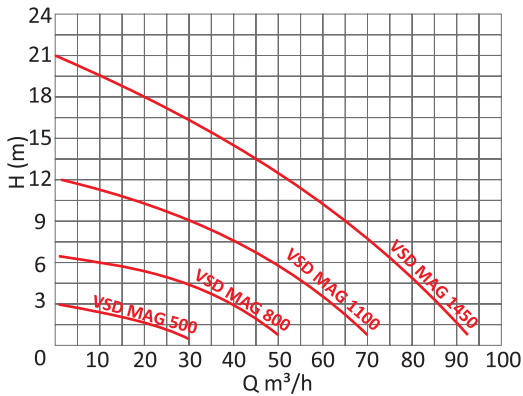
CODE	CONNECTIONS (DNA - DNI)	INTENSITY A	C	D	PACKING	WEIGHT	VOLUME
	mm					kg	m ³
VSD MAGNUS-4 250	110	4.8	530	310	1	42	0.19
VSD MAGNUS-4 300	110	5.3	530	310	1	42.5	0.19
VSD MAGNUS-4 400	110	6.9	530	310	1	44.5	0.19
VSD MAGNUS-4 550	110	8.8	530	335	1	53.4	0.32



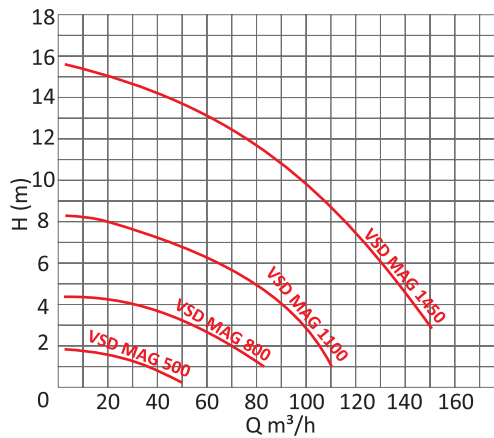
VSD MAGNUS-4 250



VSD MAGNUS-4 300



VSD MAGNUS-4 400



VSD MAGNUS-4 550

HYDRAULIC FEATURES:

PUMP MODEL	HEIGHT (m)	RPM 500				RPM 800				RPM 1100				RPM 1450										
		2	4	6	8	2	4	6	8	2	4	6	8	2	4	6	8	10	12	14	16	18	20	
VSD, MAGNUS-4 250	FLOW (m³/h)					30	10			52	40	25		70	63	55	45	33	20	3				
VSD, MAGNUS-4 300						40	20			60	50	37	18	85	77	68	60	48	35	20	3			
VSD, MAGNUS-4 400		10					42	35	15		63	57	48	40	92	85	78	73	65	55	45	35	27	18
VSD, MAGNUS-4 550						70	20			108	90	65	25		145	130	115	100	75	48				

ELECTRIC FEATURES:

SINGLE PHASE MODELS	RPM 500			RPM 800			RPM 1100			RPM 1450			NOISE LEVEL MAX db A
	INPUT POWER P1	OUTPUT POWER P2		INPUT POWER P1	OUTPUT POWER P2		INPUT POWER P1	OUTPUT POWER P2		INPUT POWER P1	OUTPUT POWER P2		
50 HZ	kW	kW	HP	kW	kW	HP	kW	kW	HP	kW	kW	HP	
VSD, MAGNUS-4 250	0.124	0.092	0.12	0.486	0.36	0.48	1.32	0.98	1.31	2.43	1.8	2.5	59
VSD, MAGNUS-4 300	0.162	0.12	0.16	0.65	0.48	0.64	1.69	1.25	1.67	2.97	2.2	3	60
VSD, MAGNUS-4 400	0.194	0.152	0.20	0.80	0.63	0.84	2.08	1.63	2.18	3.83	3	4	61
VSD, MAGNUS-4 550	0.29	0.21	0.28	1.16	0.84	1.12	3.03	2.19	2.93	5.54	4	5.5	63

10 SELF PRIMING PUMP “VERT MAGNUS”

Application

- Super quiet pump (4 poles motor)
- High volume self priming pump available in 2 and 4 poles versions ideal for large filter systems. features large suction side pre filter which together with excellent hydraulic performance ensure extremely high filtration capacity.
- Filter with polycarbonate cover for easy viewing of pre-filter basket contents.
- Features standard connection flanges which together with a board base make the system especially robust.
- Turbine available in Noryl or marine bronze. as per request
- Pump with two RPM,1450 (model 250 to 1000), 2850 (model 1250 81 1500)

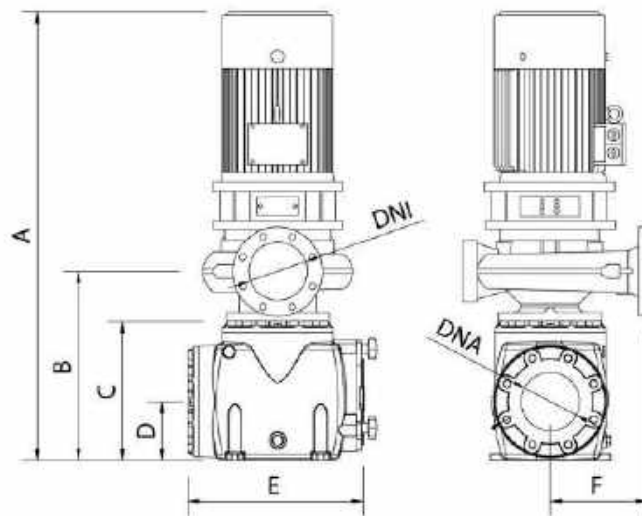


Constructive characteristics

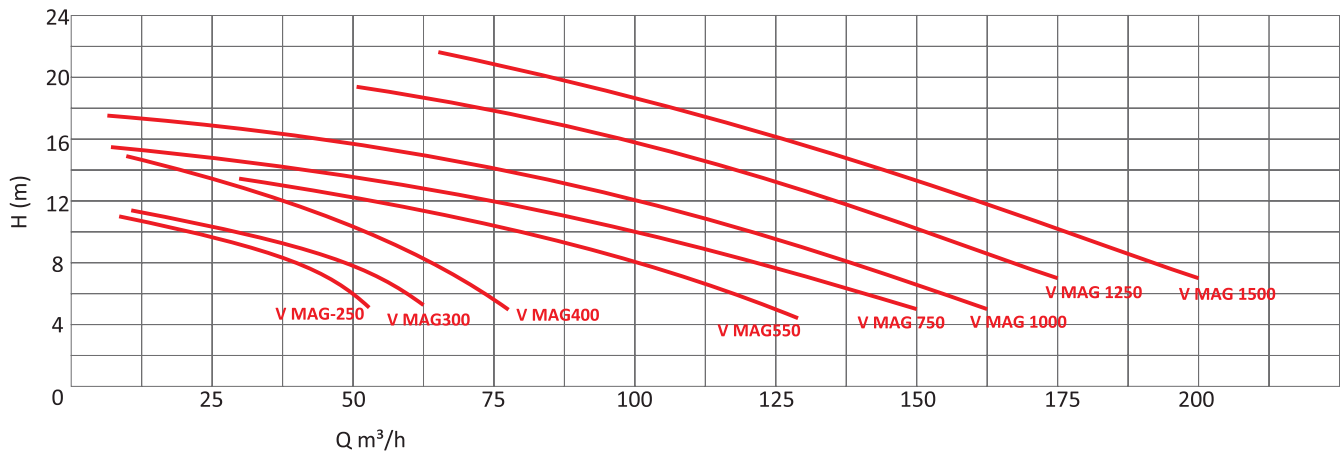
- Pre-filter body, pump body, volute, counter volute and cover in glass-fiber loaded polypropylene resistant to pool chemical,Pre-filter basket in polythene.
- Poly-carbonate pre-filter cover with four-pin closure system.Noryl impeller
- Mechanical seal in ceramic carbon and AISI 316 stainless steel.
- Screw in AISI-316 stainless steel.shaft in AISI-316 stainless steel.

Motor

- Enclosed asynchronous motor with external ventilation.
- Protection grade IP-55 Class F insulation. Double frequency (50Hz and 60 Hz).
- Motor bearings greased for life to ensure long duration and silent operation
- Maximum water temperature + 40°C



CODE	CONNECTIONS (DNA - DNI)	INTENSITY A		DIMENSIONS						PACKING	WEIGHT kg	VOLUME m³
		III 230	III 400	A	B	C	D	E	F			
CAST IRON	mm											
VERT MAGNUS-4-250	125-100	8.5	4.9	903	503	338	169	410	325	1	85	0.54
VERT MAGNUS-4-300	125-100	9.4	5.3	903	503	338	169	410	325	1	85.5	0.54
VERT MAGNUS-4-400	125-100	12.5	6.9	903	503	338	169	410	325	1	87.5	0.54
VERT MAGNUS-4-550	125-100	15.3	8.8	903	503	338	169	410	325	1	96.5	0.77
VERT MAGNUS-4-750	125-100		12	903	503	338	169	410	325	1	109	0.77
VERT MAGNUS-4-1000	125-100		15.8	903	503	338	169	410	325	1	119	0.77
VERT MAGNUS-4-1250	125-100		18.5	903	503	338	169	410	325	1	127.5	0.77
VERT MAGNUS-4-1500	125-100		20.9	903	503	338	169	410	325	1	128.5	0.77



HYDRAULIC FEATURES:

PUMP MODEL	HEIGHT	6	8	10	12	14	16	18	20	22	
	(m)										
VERT MAGNUS-4-250	FLOW (m³/h)	53	43	32	18						
VERT MAGNUS-4-300		62	54	43	26	10					
VERT MAGNUS-4-400		74	66	56	42	29	14				
VERT MAGNUS-4-550		123	104	84	57	30					
VERT MAGNUS-4-750		143	127	107	85	57	12				
VERT MAGNUS-4-1000		160	145	126	107	80	48	14			
VERT MAGNUS-4-1250				167	152	136	118	99	80	47	
VERT MAGNUS-4-1500				188	177	162	146	130	112	92	66

ELECTRIC FEATURES:

PUMP MODELS	INPUT POWER P1	OUTPUT POWER P2		NOISE LEVEL
		kW	HP	
50 HZ	kW	kW	HP	MAX db A
VERT MAGNUS-4-250	2.43	1.8	2.5	59
VERT MAGNUS-4-300	2.97	2.2	3	60
VERT MAGNUS-4-400	3.83	3	4	61
VERT MAGNUS-4-550	5.54	4	5.5	63
VERT MAGNUS-4-750	6.85	5.5	7.5	65
VERT MAGNUS-4-1000	8.26	7.5	10	66
VERT MAGNUS-4-1250	13.7	9.2	12.5	67
VERT MAGNUS-4-1500	15.7	11	15	68

11 CENTRIFUGAL PUMP 2900 R.P.M. IN CAST IRON & BRONZE

Applications:

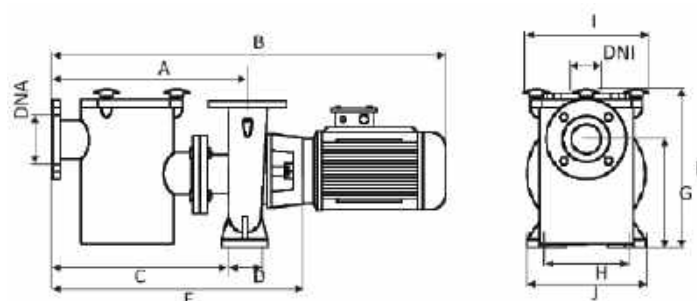
- A large volume centrifugal pump, to which a pre-filter has been applied in the inlet, making these the ideal pumps for large filtering units. The bronze version is ideal for sea water and automatic pool systems that use salt electrolysis as a means of disinfecting.

Constructive Characteristics:

- **Cast iron version:** Pump body, pre-filter, coupling and impeller in cast iron. Shaft and pre-filter sieve in AISI 316 stainless steel. Mechanical seal in carbon-ceramic. On request, the impeller may be in bronze and the mechanical seal in silicon carbide or tungsten carbon.
- **Cast bronze version:** Pump body, pre-filter, support and impeller DIN-1705 RG 5 bronze (G-CuSn 5 ZnPb). Shaft, pre-filter sieve and bolts in AISI 316 stainless steel. Cast iron coupling. Mechanical seal in carbon-ceramic and AISI 316 stainless steel. On request, these pumps may be supplied in any other bronze alloy.

Maintenance:

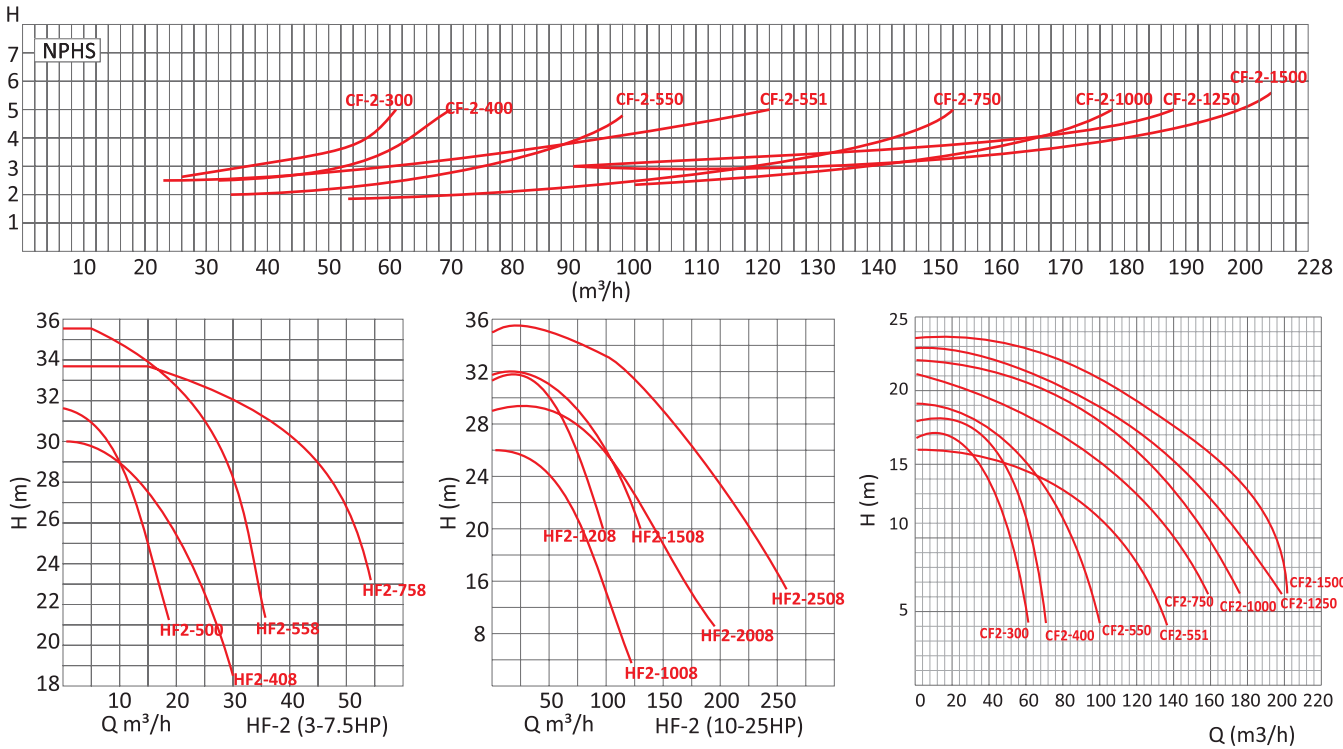
- These pumps are easy and simple to maintain, as the construction of the pump, which
- includes a totally standard motor, allows the motor to be changed or repaired without emptying the installation, even when you do not have pump inlet and outlet valves, or removing any part from the hydraulic section.



Motor:

- Standard asynchronous motor, sealed from external ventilation. Its standard construction allows it to be replaced with another standard motor at any time and in any place.
- Protection |P-55. 2 poles 50Hz.230/400V.
- Bronze impeller on demand (add -BR after pump code).

CODE		CONNECTIONS (DNA - DNI)	INTENSITY A		DIMENSIONS										PACKING	WEIGHT	VOLUME
CAST IRON	BRONZE	mm	III 230	III 400	A	B	C	D	E	F	G	H	I	J		kg	m³
CF2-300	BR2-300	80	9	5.2	465	880	425	80	605	410	275	200	320	250	1	75-90	0.27
CF2-400	BR2-400	80	12	6.9	465	910	425	80	605	410	275	200	320	250	1	79-96	0.27
CF2-550	BR2-550	125-100	16.5	9.5	500	985	455	105	635	435	280	215	330	280	1	104-124	0.30
CF2-551	BR2-551	125-100	16.5	9.5	500	985	455	105	635	435	280	215	330	280	1	104-124	0.30
CF2-750	BR2-750	125-100	21.7	12.5	500	1050	455	105	675	435	280	215	330	280	1	121-140	0.30
CF2-1000	BR2-1000	125-100		15.5	525	1095	470	120	725	465	325	275	345	330	1	140-163	0.30
CF2-1250	BR2-1250	125-100		19	525	1130	470	120	725	465	325	275	345	330	1	148-163	0.30
CF2-1500	BR2-1500	125-100		23	525	1130	470	120	725	465	325	275	345	330	1	148-168	0.30
HF2-308		65-50	8.5	5.2	465	979	430	70	639	360	224	212	265	302	1	94	0.27
HF2-408		80-65	11.8	7.1	442	998	398	95	616	450	310	250	320	333	1	105	0.27
HF2-558		80-65	16.2	9.4	442	1021	398	95	616	450	310	250	320	333	1	110	0.30
HF2-758		100-80		14.2	490	1138	443	95	733	430	246	280	345	365	1	140	0.30
HF2-1008		100-80		16.5	490	1248	443	95	733	430	246	280	345	365	1	155	0.30
HF2-1208		125-100		16.5	500	1258	440	120	743	480	310	280	360	392	1	176	0.30
HF2-1508		125-100		24.2	515	1413	455	120	788	505	335	315	400	424	1	272	0.30
HF2-2008		150-125		32	585	1528	525	120	858	611	440	315	400	472	1	355	0.30
HF2-2508		150-125		41.5	585	1528	525	120	858	611	440	315	400	472	1	385	0.30



HYDRAULIC FEATURES:

CAST IRON	BRONZE	HEIGHT (m)	CF2-BR2	6	8	10	12	14	16	18	20	22
			HF2	18	20	22	24	25	27	30	32	35
CF2-300	BR2-300	FLOW (m³/h)		61	54	51	46	35	29			
CF2-400	BR2-400			70	64	59	55	49	42	30		
CF2-550	BR2-550			95	90	84	77	65	54	32		
CF2-551	BR2-551			128	121	107	90	69	30			
CF2-750	BR2-750			159	152	135	125	109	88	60		
CF2-1000	BR2-1000			175	166	158	147	135	119	98	68	
CF2-1250	BR2-1250			195	188	175	163	150	136	105	86	
CF2-1500	BR2-1500			200	197	193	183	170	155	132	110	87
HF2-308						18	16	14	12			
HF2-408					29	26	24	22	18	6		
HF2-558						36	34	33	30	25	21	12
HF2-758							54	52	48	41	32	
HF2-1008				102	92	83	64	62	42			
HF2-1208							88	84	74	56	36	
HF2-1508								117	113	102	78	54
HF2-2008					165	140	125	118	114	85		
HF2-2508					240	125	200	190	175	145	125	72

ELECTRIC FEATURES:

CAST IRON	BRONZE	INPUT POWER P1	OUTPUT POWER P2		NOISE LEVEL
			kW	HP	
50 HZ	50 HZ	kW	kW	HP	MAX db A
CF2-300	BR2-300	2.64	2.2	3	64
CF2-400	BR2-400	3.54	3	4	64
CF2-550	BR2-550	4.65	4	5.5	65
CF2-551	BR2-551	4.65	4	5.5	66
CF2-750	BR2-750	6.27	5.5	7.5	69
CF2-1000	BR2-1000	8.36	7.5	10	71
CF2-1250	BR2-1250	10.28	9.2	12.5	72
CF2-1500	BR2-1500	12.3	11	15	74
HF2-308		2.69	2.2	3	64
HF2-408		3.54	3	4	64
HF2-558		4.65	4	5.5	65
HF2-758		6.24	5.5	7.5	69
HF2-1008		8.36	7.5	10	71
HF2-1208		10.28	7.5	10	72
HF2-1508		12.3	11	15	74
HF2-2008		16.7	15	20	76
HF2-2508		20.6	18.5	25	77

12 CENTRIFUGAL PUMP “VERT CF-2/ VERT HF-2”

Applications:

A large volume centrifugal pump, to which a pre»filter has been applied in the Inlet, making these the ideal pumps for large filtering units.

Constructive characteristics

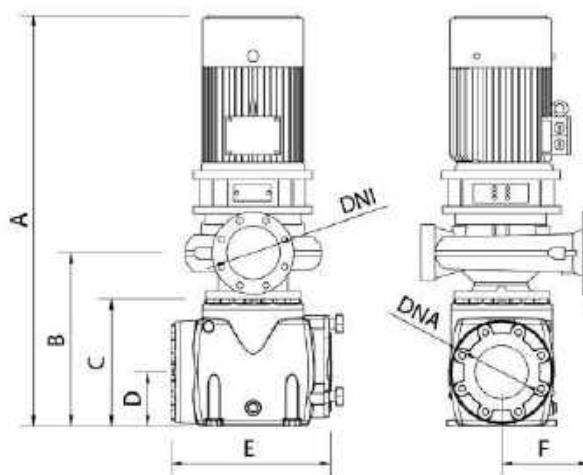
- Cast iron version
- Pump body, pre»filter, coupling and impeller in cast iron. shaft and pre»filter sieve in AISI 316 stainless steel. Mechanical seal in carbon » ceramic. On request, the impeller may be in bronze and the mechanical seal in silicon carbide or tungsten carbon.

Maintenance

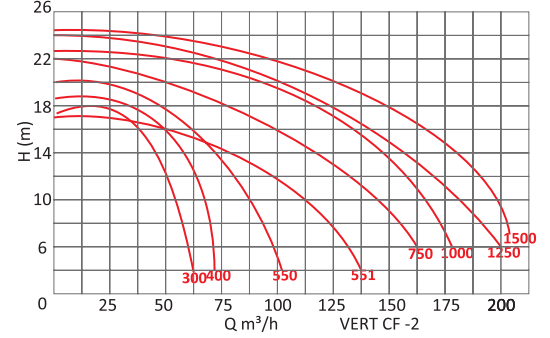
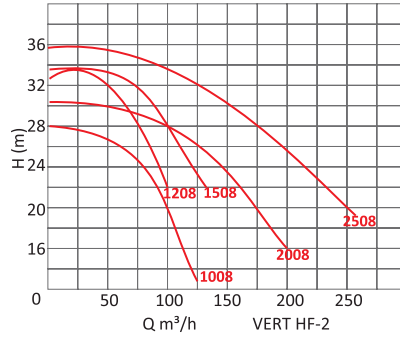
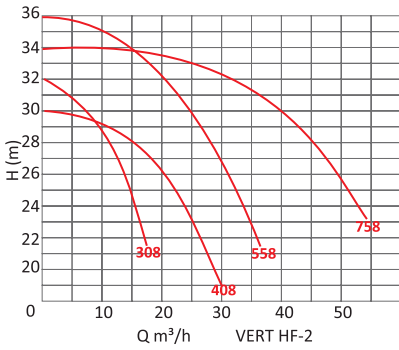
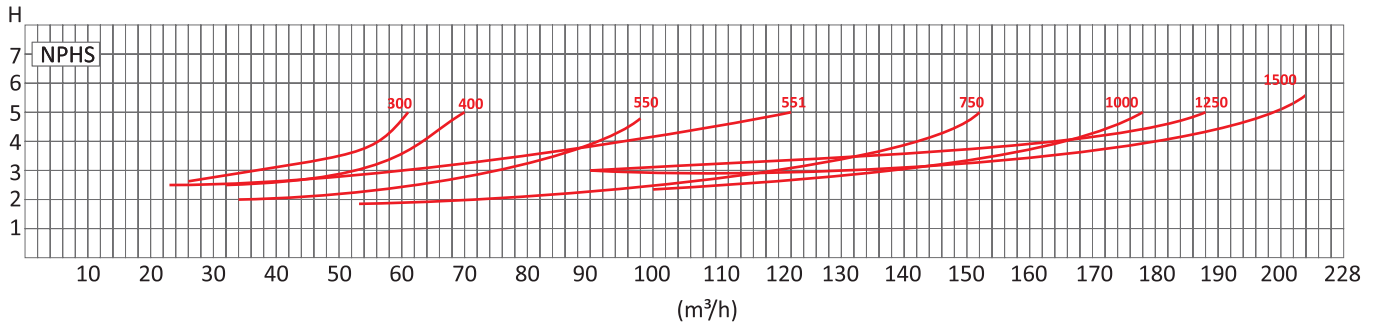
These pump are easy and simple to maintain, as the construction of the pump, which includes a total standard motor, allows the motor to be changed or repaired without emptying the installafion, even when you do not have pump inlet and outlet valves, or removing any part from the hydraulic section.

Motor

Standard asynchronous motor, sealed from external ventilation. Its standard construction allows it to be replaced with another standard motor at any time and any place. Protecftion IP- 55. 2 poles 50-60 Hz.



CODE	CONNECTIONS (DNA - DNI)	INTENSITY A		DIMENSIONS						PACKING	WEIGHT kg	VOLUME m³
		III 230	III 400	A	B	C	D	E	F			
CAST IRON	mm											
VERT CF-2-300	80	9	5.2	858	448	338	169	410	165	1	167	0.45
VERT CF-2-400	80	12	6.9	888	448	338	169	410	165	1	171	0.47
VERT CF-2-550	125-100	16.5	9.5	933	463	338	169	410	200	1	200	0.49
VERT CF-2-551	125-100	16.5	9.5	933	463	338	169	410	200	1	200	0.49
VERT CF-2-750	125-100	21.7	12.5	998	463	338	169	410	200	1	215	0.52
VERT CF-2-1000	125-100		15.5	1043	483	338	169	410	235	1	236	0.55
VERT CF-2-1250	125-100		19	1078	483	338	169	410	235	1	243	0.57
VERT CF-2-1500	125-100		23	1078	448	338	169	410	235	1	243	0.57
VERT HF-2-308	65-32	8.5	5.2	836	418	338	169	410	200	1	149	0.44
VERT HF-2-408	65-32	11.8	7.1	893	418	338	169	410	225	1	161	0.47
VERT HF-2-558	65-32	16.2	9.4	893	418	338	169	410	225	1	183	0.47
VERT HF-2-758	65-40		14.2	1021	418	338	169	410	250	1	210	0.54
VERT HF-2-1008	65-50		16.5	1041	438	338	169	410	250	1	220	0.55
VERT HF-2-1208	65-50		16.5	1041	438	338	169	410	280	1	188	0.55
VERT HF-2-1508	80-65		24.2	1141	438	338	169	410	280	1	289	0.60
VERT HF-2-2008	100-80		32	1166	463	338	169	410	355	1	308	0.60
VERT HF-2-2508	100-80		41.5	1246	463	338	169	410	355	1	325	0.66



HYDRAULIC FEATURES:

CAST IRON	HEIGHT (m)	CF-2	6	8	10	12	14	16	18	20	22
		HF-2	18	20	22	24	25	27	30	32	35
VERT CF-2-300	FLOW (m³/h)		61	54	51	46	35	29			
VERT CF-2-400			70	64	59	55	49	42	30		
VERT CF-2-550			95	90	84	77	65	54	32		
VERT CF-2-551			128	121	107	90	69	30			
VERT CF-2-750			159	152	135	125	109	88	60		
VERT CF-2-1000			175	166	158	147	135	119	98	68	
VERT CF-2-1250			195	188	175	163	150	136	105	86	
VERT CF-2-1500			200	197	193	183	170	155	132	110	87
VERT HF-2-308						18	16	14	14		
VERT HF-2-408					29	26	24	22	22	6	
VERT HF-2-558					36	34	33	33	25	21	21
VERT HF-2-758						54	52	52	41	32	32
VERT HF-2-1008			102	92	83	64	62	62			
VERT HF-2-1208						88	84	84	56	36	36
VERT HF-2-1508						117	113	113	78	54	54
VERT HF-2-2008				165	140	125	118	118	85		
VERT HF-2-2508			240	125	200	190	190	145	125	125	

ELECTRIC FEATURES:

SINGLE PHASE MODELS	INPUT POWER P1		OUTPUT POWER P2		SINGLE PHASE MODELS	INPUT POWER P1		OUTPUT POWER P2		NOISE LEVEL
	50 HZ	kW	kW	HP		50 HZ	kW	kW	HP	
VERT CF-2-300	2.64	2.2	3		VERT HF-2-308	2.69	2.2	3		64
VERT CF-2-400	3.54	3	4		VERT HF-2-408	3.54	3	4		64
VERT CF-2-550	4.65	4	5.5		VERT HF-2-558	4.65	4	5.5		65
VERT CF-2-551	4.65	4	5.5		VERT HF-2-758	6.24	5.5	7.5		69
VERT CF-2-750	6.27	5.5	7.5		VERT HF-2-1008	8.36	7.5	10		71
VERT CF-2-1000	8.36	7.5	10		VERT HF-2-1208	10.28	7.5	10		72
VERT CF-2-1250	0.28	9.2	12.5		VERT HF-2-1508	12.3	11	15		74
VERT CF-2-1500	12.3	11	15		VERT HF-2-2008	16.7	15	20		76
					VERT HF-2-2508	20.6	18.5	25		77

13 CENTRIFUGAL PUMP 1450 R.P.M. IN CAST IRON

Applications:

A large volume centrifugal pump, to which a pre-filter has been applied in the inlet, making these the ideal pumps for large filtering units. The fact that the pump works with a 4 poles motor makes it very quiet and long lasting.

Constructive characteristics

Pump body, support, pre-filter and impeller in cast iron. Shaft-coupling and pre-filter sieve in AISI 316 stainless steel. Mechanical seal in carbon - silicon carbide. On demand the CF-4 pump range may be supplied with bronze impeller (standard in cast iron) or with other versions of mechanical seal, such as: tungsten carbon, AISI 316, epdm, viton etc...

Maintenance

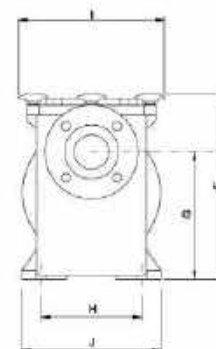
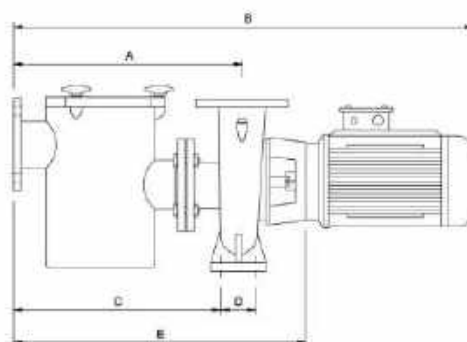
These pumps are easy and simple to maintain, as the construction of the pump, which includes a totally standard motor allows the motor to be changed or repaired without emptying the installation, even when you do not have pump inlet and outlet valves, or removing any part from the hydraulic part of the pump.

Motor

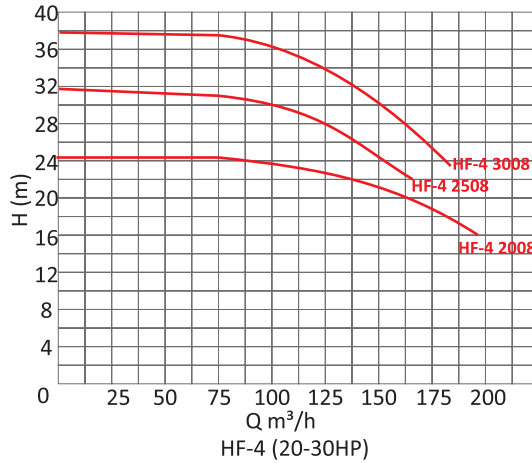
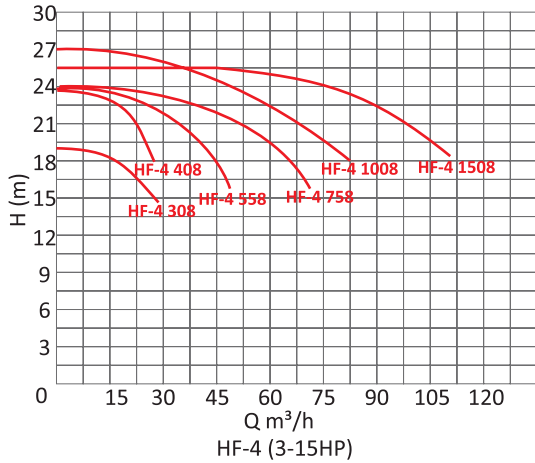
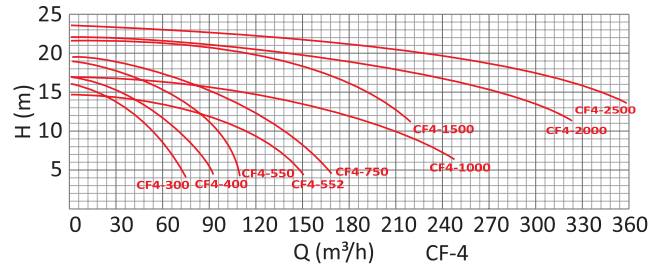
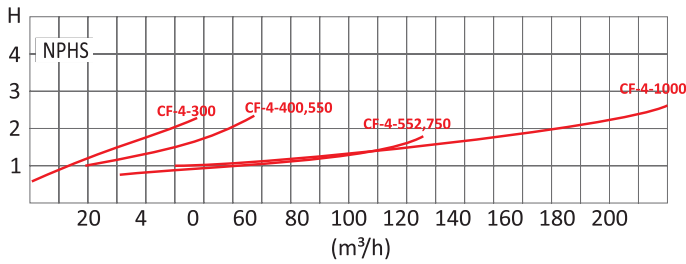
Standard asynchronous motor, sealed from external ventilation. Its standard construction allows it to be replaced with another standard motor at any time and in any place.

Protection IP-55.4 poles 50-60Hz
230/400V.

Bronze impeller on demand (add BR after pump code)



CODE	CONNECTIONS (DNA - DNI)	INTENSITY A		DIMENSIONS										PACKING	WEIGHT	VOLUME
	mm	III 230	III 400	A	B	C	D	E	F	G	H	I	J		kg	m ³
CF4-300	65-50	9.4	5.3	465	979	430	70	639	360	224	212	265	302	1	94	0.27
CF4-400	80-65	12.5	6.9	442	998	398	95	616	450	310	250	320	333	1	105	0.27
CF4-550	80-65	17	9.2	442	1021	398	95	616	450	310	250	320	333	1	110	0.30
CF4-552	100-80	17	9.2	490	1138	443	95	733	430	246	280	345	365	1	140	0.30
CF4-750	100-80	23	12	490	1248	443	95	733	430	246	280	345	365	1	155	0.30
CF4-1000	125-100		15.5	500	1258	440	120	743	480	310	280	360	392	1	176	0.25
CF4-1500	125-100		21.8	515	1413	455	120	788	505	335	315	400	424	1	272	0.31
CF4-2000	150-125		32	585	1528	525	120	858	611	440	315	400	472	1	355	0.46
CF4-2500	150-125		39	585	1558	525	120	858	611	440	315	400	472	1	385	0.47
HF-4 308	65-40	9.4	5.5	480	994	432	95	654	415	310	250	260	336	1	127	0.10
HF-4 408	65-40	12.5	6.9	480	994	432	95	654	415	310	250	260	336	1	127	0.10
HF-4 558	65-50	17	9.2	480	994	432	95	654	415	310	250	260	343	1	139	0.10
HF-4 758	80-65	23	12	480	1125	420	120	723	450	330	280	260	370	1	195	0.11
HF-4 1008	80-65		15.5	505	1150	445	120	748	505	355	315	260	429	1	211	0.13
HF-4 1508	100-80		21.8	505	1238	445	120	778	480	315	315	260	410	1	306	0.12
HF-4 2008	125-100		32	520	1253	445	120	793	505	340	315	260	424	1	324	0.13
HF-4 2508	125-100		41.5	520	1331	460	120	793	565	365	315	260	478	1	364	0.14
HF-4 3008	125-100		52	520	1406	460	120	793	565	365	315	260	478	1	376	0.14



HYDRAULIC FEATURES:

CAST IRON	HEIGHT (m)	CF-4	9	10	12	14	15	16	18	20	21
		HF-4	18	20	22	24	25	27	30	32	35
CF4-300	FLOW (m³/h)		54	50	44	30	20				
CF4-400				70	67	50	36	20			
CF4-550					84	72	66	54	20		
CF4-552			120	110	78	28					
CF4-750					124	104	90	72			
CF4-1000				210	175	130	90	60			
CF4-1500					215	200	190	180	150	120	60
CF4-2000					320	300	275	260	210	102	
CF4-2500						360	340	310	280	220	190
HF-4 308			23	13							
HF-4 408				27	19						
HF-4 558			51	43	33						
HF-4 758			75	64	50	12					
HF-4 1008				85	75	63	54				
HF-4 1058					110	90	72				
HF-4 2008				190	160	120	102				
HF-4 2508					170	160	140	120			
HF-4 3008					210	200	190	160	135	102	

ELECTRIC FEATURES:

SINGLE PHASE MODELS	INPUT POWER P1			OUTPUT POWER P2			
	50 HZ	kW	HP	50 HZ	kW	HP	
CF4-300	2.6	2.2	3	HF-4 308	2.6	2.2	3
CF4-400	3.51	3	4	HF-4 408	3.51	3	4
CF4-550	4.61	4	5.5	HF-4 558	4.61	4	5.5
CF4-552	4.6	4	5.5	HF-4 758	6.25	5.5	7.5
CF4-750	6.25	5.5	7.5	HF-4 1008	8.45	7.5	10
CF4-1000	8.45	7.5	10	HF-4 1508	12.25	11	15
CF4-1500	12.25	11	15	HF-4 2008	16.56	15	20
CF4-2000	16.56	15	20	HF-4 2508	20.29	18.5	25
CF4-2500	20.29	18.5	25	HF-4 3008	24.5	22	30

14 CENTRIFUGAL PUMP “VERT CF-4/ VERT HF-4”

Applications:

A large volume centrifugal pump, to which a pre-filter has been applied in the inlet, making these the ideal pumps for large filtering units. The facts that the pump works with a 4 poles motor makes it very quiet and long lasting

Constructive characteristics

Pump body, pre-filter, coupling and impeller in cast iron. Shaft coupling and pre-filter sieve in AISI 316 stainless steel. Mechanical seal in carbon-silicon carbide.

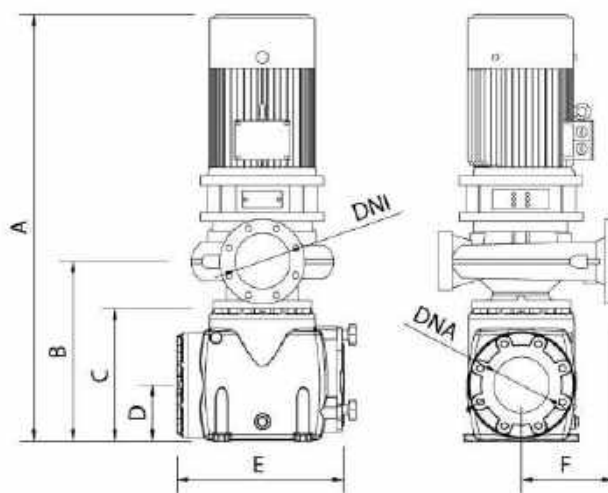
On demand the CF-4 pump range may be supplied with bronze impeller (standing in cast iron) or with other versions of mechanical seal, such as: tungsten carbon, AISI 316, edpm, Vitom etc.

Maintenance

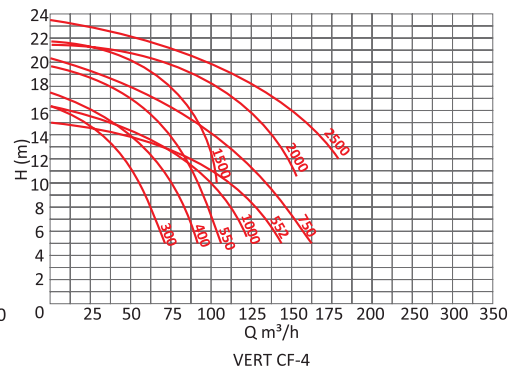
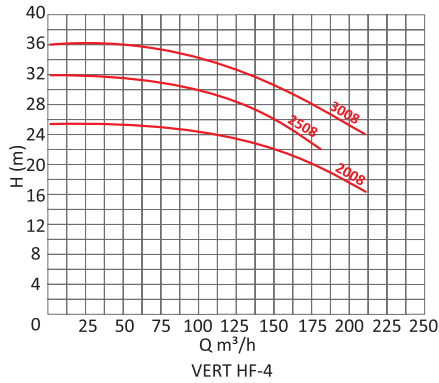
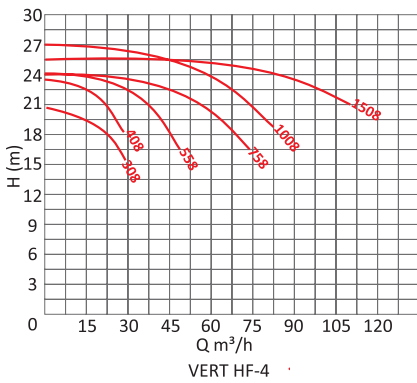
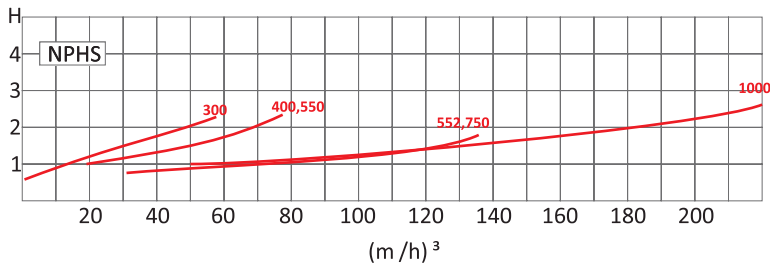
These pump are easy and simple to maintain, as the construction of the pump, which includes a total standard motor, allows the motor to be changed or repaired without emptying the installation, even when you do not have pump inlet and outlet valve, or removing any part from the hydraulic part of pump.

Motor

Standard asynchronous motor, sealed from external ventilation. Its standard.



CODE	CONNECTIONS (DNA - DNI)	INTENSITY A		DIMENSIONS						PACKING	WEIGHT	VOLUME
		III 230	III 400	A	B	C	D	E	F			
CAST IRON	mm			A	B	C	D	E	F		kg	m ³
VERT CF-4-300	65-50	9.4	5.3	913	438	338	169	410	200	1	194	0.48
VERT CF-4-400	80-65	12.5	6.9	913	438	338	169	410	225	1	205	0.48
VERT CF-4-550	80-65	17	9.2	913	438	338	169	410	225	1	210	0.48
VERT CF-4-552	100-80	17	9.2	1007	463	338	169	410	250	1	240	0.53
VERT CF-4-750	100-80	23	12	1096	463	338	169	410	250	1	255	0.58
VERT CF-4-1000	125-100		15.5	1122	463	338	169	410	280	1	276	0.59
VERT CF-4-1500	125-100		21.8	1211	478	338	169	410	280	1	372	0.64
VERT CF-4-2000	150-125		32	1291	478	338	169	410	355	1	455	0.68
VERT CF-4-2500	150-125		39	1331	448	338	169	410	355	1	485	0.70
VERT HF-4-308	65-40	9.4	5.5	913	438	338	169	410	225	1	185	0.49
VERT HF-4-408	65-40	12.5	6.9	913	438	338	169	410	225	1	189	0.49
VERT HF-4-558	65-50	17	9.2	913	438	338	169	410	225	1	198	0.49
VERT HF-4-758	80-65	23	12	1071	438	338	169	410	250	1	259	0.57
VERT HF-4-1008	80-65		15.5	1122	463	338	169	410	280	1	282	0.60
VERT HF-4-1508	100-80		21.8	1196	463	338	169	410	280	1	324	0.64
VERT HF-4-2008	125-100		32	1291	478	338	169	410	280	1	355	0.69
VERT HF-4-2508	125-100		41.5	1331	478	338	169	410	315	1	397	0.71
VERT HF-4-3008	125-100		52	1331	478	338	169	410	315	1	409	0.71



HYDRAULIC FEATURES:

CAST IRON	HEIGHT (m)	CF-4	9	10	12	14	15	16	18	20	21		
		HF-4	18	20	22	24	25	27	30	32	35		
VERT CF-4-300	FLOW (m³/h)		54	50	44	30	20						
VERT CF-4-400				70	67	50	36	20					
VERT CF-4-550					84	72	66	54	20				
VERT CF-4-552				120	110	78	28						
VERT CF-4-750						124	104	90	72				
VERT CF-4-1000					210	175	130	90	60				
VERT CF-4-1500						215	200	190	180	150	120	60	
VERT CF-4-2000							320	300	275	260	210	102	
VERT CF-4-2500								360	340	310	280	220	190
VERT HF-4-308				23	13								
VERT HF-4-408					27	19							
VERT HF-4-558				51	43	33							
VERT HF-4-758				75	64	50	12						
VERT HF-4-1008					85	75	63	54					
VERT HF-4-1508						110	90	72					
VERT HF-4-2008					190	160	120	102					
VERT HF-4-2508							170	160	140	120	30		
VERT HF-4-3008								210	200	190	160	135	102

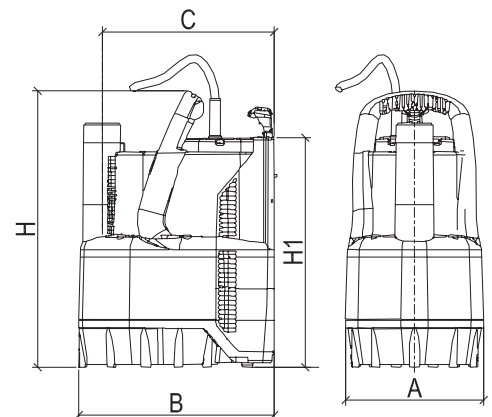
ELECTRIC FEATURES:

SINGLE PHASE MODELS	INPUT POWER P1	OUTPUT POWER P2		SINGLE PHASE MODELS	INPUT POWER P1	OUTPUT POWER P2	
50 HZ	kW	kW	HP	50 HZ	kW	kW	HP
VERT CF-4-300	2.6	2.2	3	VERT HF-4-308	2.6	2.2	3
VERT CF-4-400	3.51	3	4	VERT HF-4-408	3.51	3	4
VERT CF-4-550	4.61	4	5.5	VERT HF-4-558	4.61	4	5.5
VERT CF-4-552	4.6	4	5.5	VERT HF-4-758	6.25	5.5	7.5
VERT CF-4-750	6.25	5.5	7.5	VERT HF-4-1008	8.45	7.5	10
VERT CF-4-1000	8.45	7.5	10	VERT HF-4-1508	12.25	11	15
VERT CF-4-1500	12.25	11	15	VERT HF-4-2008	16.56	15	20
VERT CF-4-2000	16.56	15	20	VERT HF-4-2508	20.29	18.5	25
VERT CF-4-2500	20.29	18.5	25	VERT HF-4-3008	24.5	22	30

15 SUBMERSIBLE PUMP WITH INTERNAL FLOAT “VERTY NOVA”



- The vertical delivery draining submersible pump is suitable for domestic automatically operated fixed applications, for draining basements and garages
- Hydro resistant techno polymer pump body, cover, and suction grid.
- Stainless steel motor, roto shaft, and bolts and screws.
- Threefold seal with interposed rings with oil pre-chamber.
- Submersible type continuous duty asynchronous motor.
- Stator enclosed in airtight stainless steel casing, with an outer cover that protects the wiring and the capacitor.
- Rotor running on permanently lubricated ball bearings, oversized to ensure low noise and durability
- Operating range: from 1 to 10m³/h with head up to 9 meters.
- Liquid temperature range: from 0 °C to +35 °C for domestic use.
- Pump priming limit: 10»15 mm in manual operation
- Max. immersion depth: 7 meters

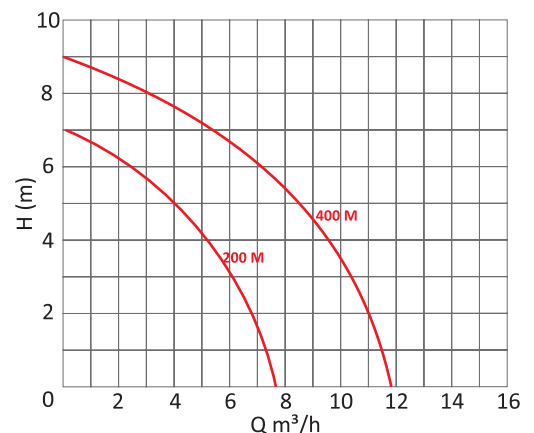


HYDRAULIC FEATURES:

PUMP MODELS	HEIGHT (m)	1	2	3	4	5	6	7	8	9
VERTY NOVA 200 M	FLOW	7.3	6.8	6	5	4	2.5	0		
VERTY NOVA 400 M	(m ³ /h)	11.5	11	10.3	9.5	8.5	7	5.4	3	0

ELECTRIC FEATURES:

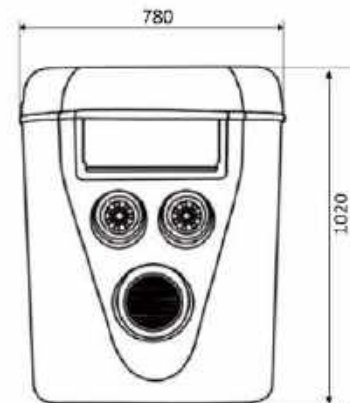
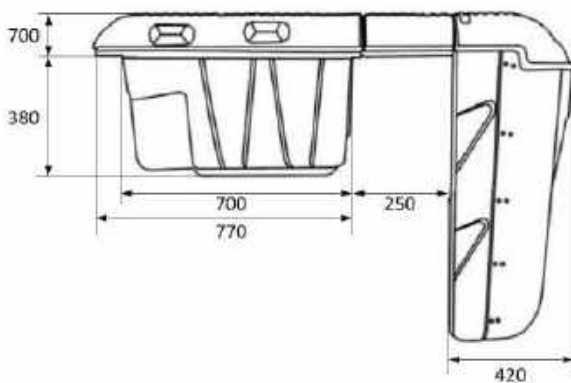
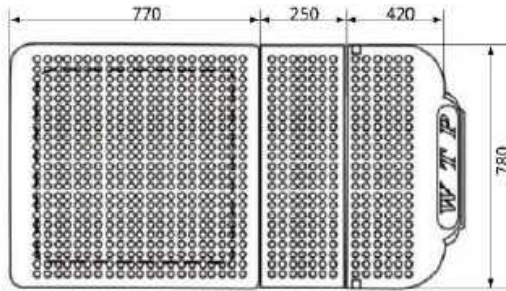
PUMP MODELS	INPUT POWER P1	MOTOR POWER P2		
		kW	kW	HP
50 HZ				
VERTY NOVA 200 M	0.3		0.2	0.28
VERTY NOVA 400 M	0.6		0.4	0.55



PUMP MODEL	CONNECTIONS	INTENSITY A		DIMENSIONS						PACKING	WEIGHT	VOLUME
	mm	II 230	III 230	A	B	C	D	H	H1		kg	m ³
VERTY NOVA 200 M	2"	1.3	-	158	225	200	33	318	265	1	4.2	0.014
VERTY NOVA 400 M	2"	2.6	-	158	225	200	33	354	301	1	5.1	0.014

16 AQUA COMBO FILTRATION SYSTEM

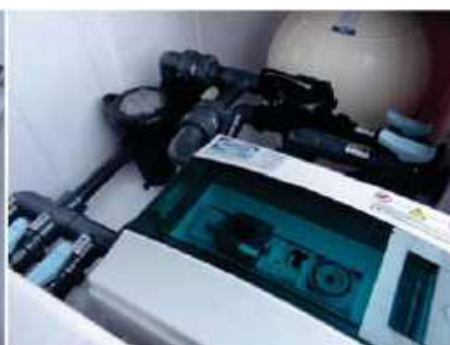
- Filtration pump: 1»2HP
- Dual»speed pump (1HP»2HP): Optional
- Ozone generator: 500 mg/h
- Swimjet (pc): 2
- Filtration bagsSu (pc): 2
- Chemical feeding basket (pc): 2
- Underwater LED light (pc): 1
- RF waterproof remote control: Optional
- Saltwater pool chlorinator: Optional
- Power consumption: 1.6kw
- Dimensions (mm): 1450x760x1030



CODE	FILTRATION PUMP	POWER SUPPLY	FLOW	PACKING	WEIGHT	VOLUME
			(m ³ /h) V=50m ³ /h/m ²		kg	m ³
AC-26	2HP	220V/50Hz/ 110V/60Hz	25	1	57	1.13

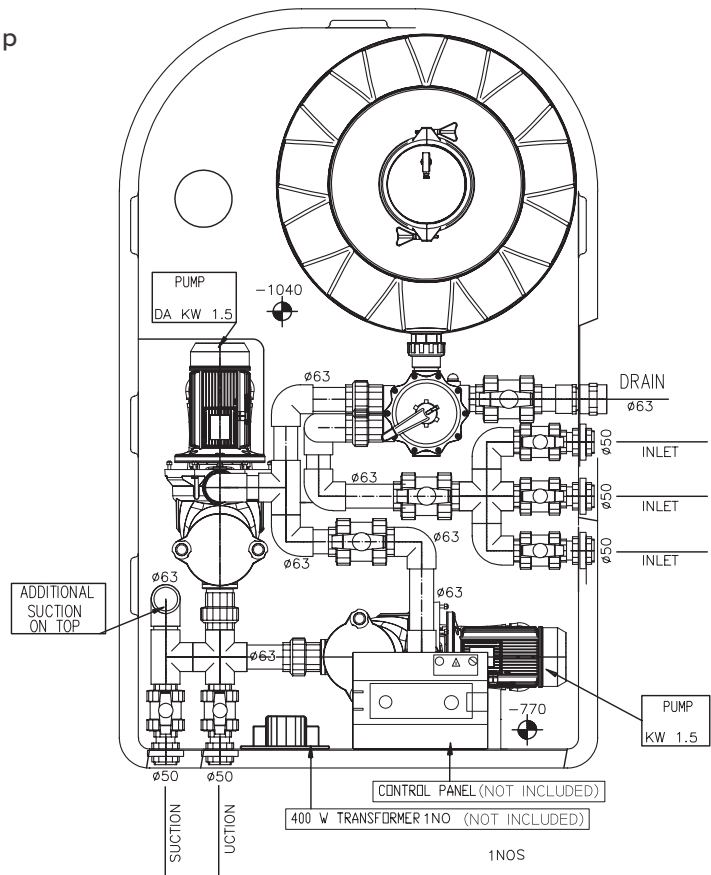
17 AQUA PREASSEMBELED COMPLETE BUNKER ROOM

- Bunker made in reinforced fiberglass with walkable lid mad in 2 pieces with hinges and gas piston on lid opening side.
- Bunker pre-assembled with sand filter, selector valve, circulation pump, fittings and ball valves for every suction or injection line, fittings for external connection to the pipe, electric control box and transformer.
- The design characteristics of the bunker are unique on the market, as they enable you to carry out routine maintenance operation, like filter or pump cleaning, without entering the bunker.



PACKAGE 1

Pre assembled underground pump room for pools up to 6m³/ht

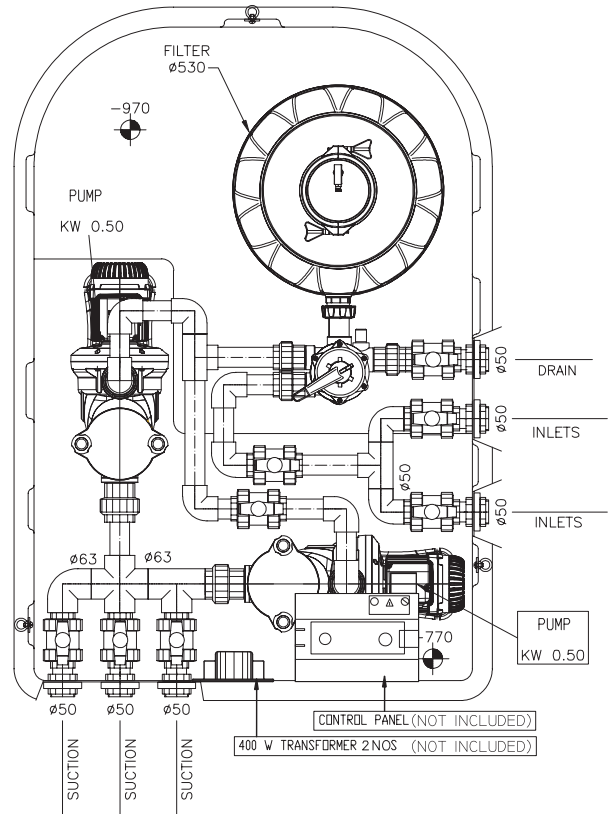


THE PACKAGE CONSIST OF	QTY
BUNKER MADE IN REINFORCED FIBER GLASS WITH ALKABLE LID MADE IN 2 PIECES WITH HINGES DIMENSIONS: 120*175*110 cm	1
AQUARIUS SAND FILTER 450MM DIA. WITH 6 WAY MULTIPOINT VALVE 1.5"	1
LIPARI SELF PRIMING PUMP 0.5HP 1 PHASE	2
INJECTION POINTS	3
SUCTION POINTS	3
BUILT IN DRAINAGE SYSTEM	1
SET OF BALL VALVES, CHECK VALVES, PIPES AND PVC FITTINGS	1
BACKWASH/ DRAIN LINE	1

CODE	DESCRIPTION	PACKING	WEIGHT	VOLUME
107100529DI	COMPLETE BUNKER ROOM 1 WITH ALL EQUIPMENTS	1	140	2.31

PACKAGE 2

Pre assembled underground pump room for pools up to 10m³/ht

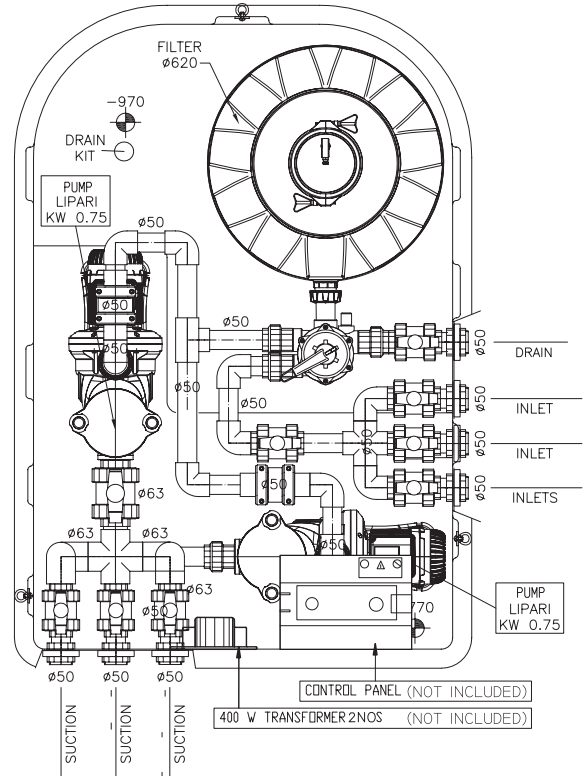


THE PACKAGE CONSIST OF	QTY
BUNKER MADE IN REINFORCED FIBER GLASS WITH ALKABLE LID MADE IN 2 PIECES WITH HINGES DIMENSIONS: 120*175*110 cm	1
AQUARIUS SAND FILTER 530MM DIA. WITH 6 WAY MULTIPOINT VALVE 1.5"	1
LIPARI SELF PRIMING PUMP 0.75HP 1 PHASE	2
INJECTION POINTS	3
SUCTION POINTS	3
BUILT IN DRAINAGE SYSTEM	1
SET OF BALL VALVES, CHECK VALVES, PIPES AND PVC FITTINGS	1
BACKWASH/ DRAIN LINE	1

CODE	DESCRIPTION	PACKING	WEIGHT	VOLUME
107100530DI	COMPLETE BUNKER ROOM 2 WITH ALL EQUIPMENTS	1	150	2.31

PACKAGE 3

Pre assembled underground pump room for pools up to 14m³/ht

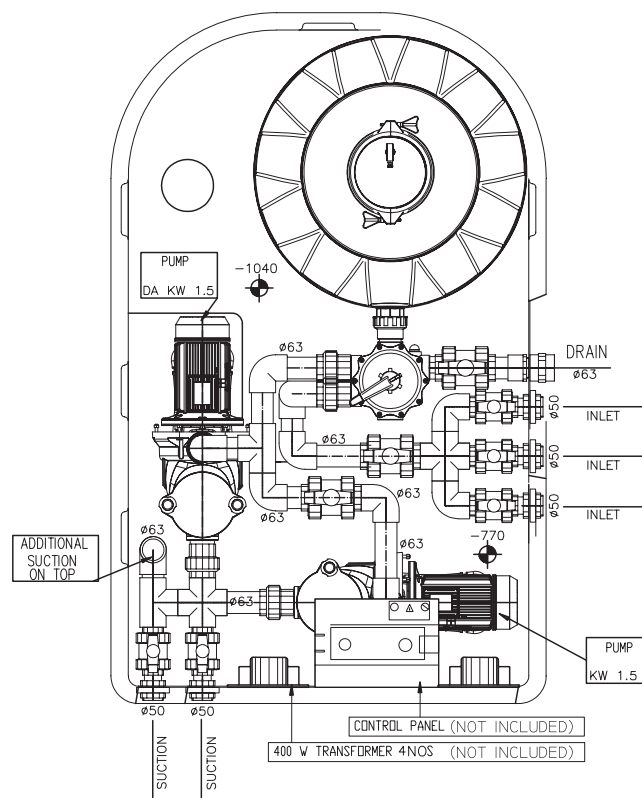


THE PACKAGE CONSIST OF	QTY
BUNKER MADE IN REINFORCED FIBER GLASS WITH ALKABLE LID MADE IN 2 PIECES WITH HINGES DIMENSIONS: 120*175*110 cm	1
AQUARIUS SAND FILTER 620MM DIA. WITH 6 WAY MULTIPOINT VALVE 1.5"	1
LIPARI SELF PRIMING PUMP 1.0HP 1 PHASE	2
INJECTION POINTS	3
SUCTION POINTS	3
BUILT IN DRAINAGE SYSTEM	1
SET OF BALL VALVES, CHECK VALVES, PIPES AND PVC FITTINGS	1
BACKWASH/ DRAIN LINE	1

CODE	DESCRIPTION	PACKING	WEIGHT	VOLUME
107100560DI	COMPLETE BUNKER ROOM 3 WITH ALL EQUIPMENTS	1	165	2.31

PACKAGE 4

Pre assembled underground pump room for pools up to 22m³/ht

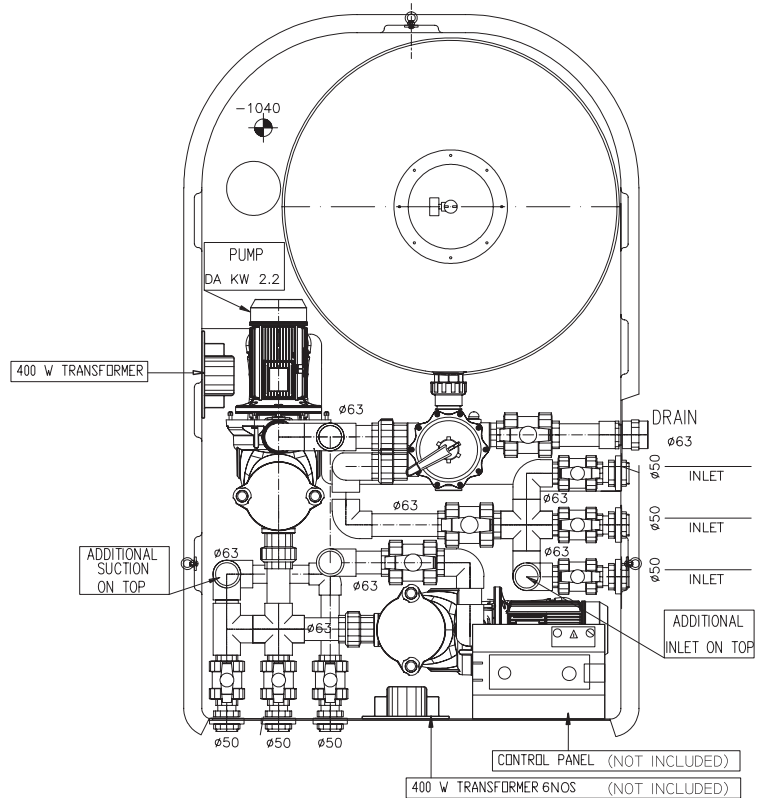


THE PACKAGE CONSIST OF	QTY
BUNKER MADE IN REINFORCED FIBER GLASS WITH ALKABLE LID MADE IN 2 PIECES WITH HINGES DIMENSIONS: 120*175*110 cm	1
AQUARIUS SAND FILTER 790MM DIA. WITH 6 WAY MULTIPOINT VALVE 2"	1
EURO SWIM SELF PRIMING PUMP 2.0HP 1 PHASE	2
INJECTION POINTS	3
SUCTION POINTS	3
BUILT IN DRAINAGE SYSTEM	1
SET OF BALL VALVES, CHECK VALVES, PIPES AND PVC FITTINGS	1
BACKWASH/ DRAIN LINE	1

CODE	DESCRIPTION	PACKING	WEIGHT	VOLUME
107100527DI	COMPLETE BUNKER ROOM 4 WITH ALL EQUIPMENTS	1	195	2.31

PACKAGE 5

Pre assembled underground pump room for pools up to 30m³/ht



THE PACKAGE CONSIST OF	QTY
BUNKER MADE IN REINFORCED FIBER GLASS WITH ALKABLE LID MADE IN 2 PIECES WITH HINGES DIMENSIONS: 130*200*120 cm	1
AQUARIUS SAND FILTER 900MM DIA. WITH 6 WAY MULTIPORT VALVE 2"	1
EURO SWIM SELF PRIMING PUMP 3.0HP 1 PHASE	2
INJECTION POINTS	3
SUCTION POINTS	3
BUILT IN DRAINAGE SYSTEM	1
SET OF BALL VALVES, CHECK VALVES, PIPES AND PVC FITTINGS	1
BACKWASH/ DRAIN LINE	1

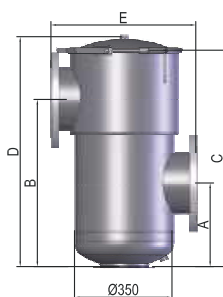
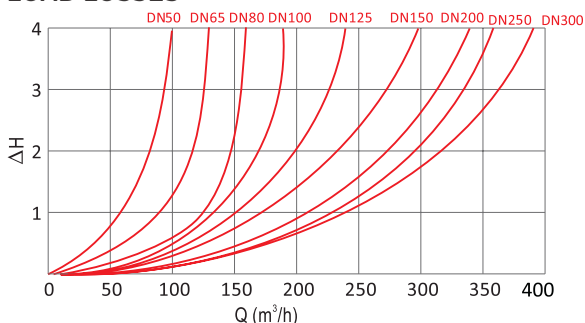
CODE	DESCRIPTION	PACKING	WEIGHT	VOLUME
107100578DI	COMPLETE BUNKER ROOM 5 WITH ALL EQUIPMENTS	1	220	3.12

18 STAINLESS STEEL PREFILTERS

- Made entirely of Stainless Steel 304 or 316.
- Stainless steel basket with 6mm standard perforation.
- AP models working pressure 8 ATE.
- Other models working pressure 3 ATE.
- Comes with pressure gauge on top.
- Lid is tightened by a simple and reliable clamp for closure.
- Plexiglas transparent lid can be supplied on demand.
- Prefilter can be electro polished externally and/or internally on request.



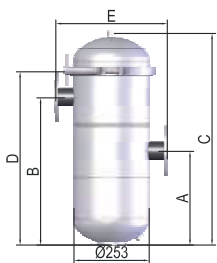
LOAD LOSSES



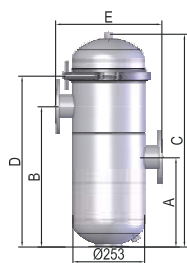
PF-350304/316-DN200 TF / 250



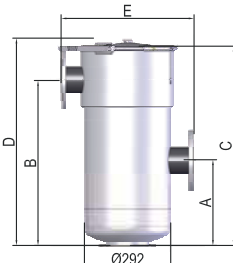
PF-350304/316-DN150 TF



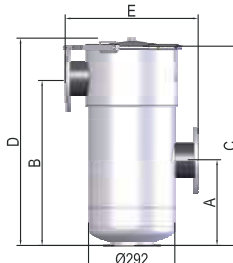
PF-250304/316-DN50 TF



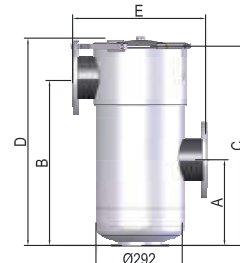
PF-250304/316-DN65 TF



PF-292304/316-DN80 TF



PF-292304/316-DN100 TF

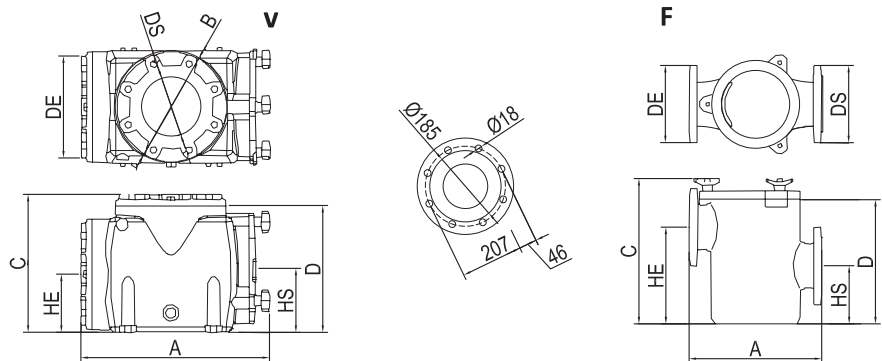
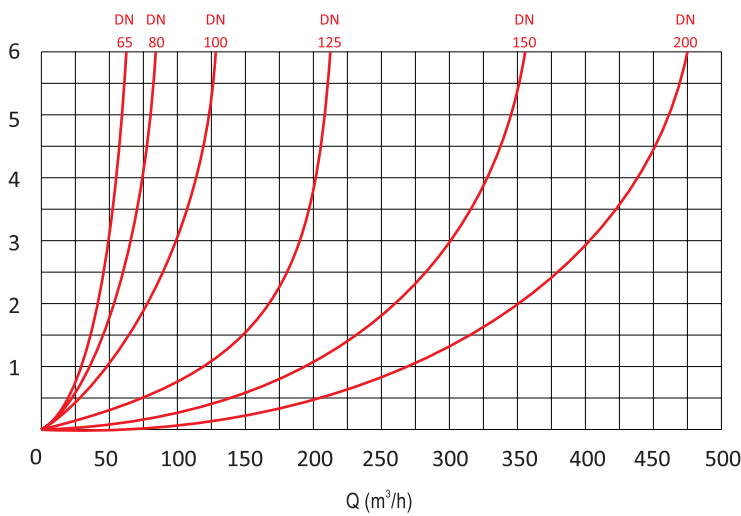


PF-292304/316-DN125 TF

CODE	CONNECTIONS		PRES-SURE ATE	OUTER CASING DIMENSIONS					INSIDE BASKET DIMENSIONS			BASKET CAPACITY m³/h	PACKING	WEIGHT kg	VOLUME m³
	INLET/OUTLET	DRAIN OUTLET		A	B	C	D	E	Ø	h	hole				
PF-250304-DN50 TF	DN 50	1/2"	8	315	495	751	603	375	220	330	6 mm.	80	1	17.5	0.033
PF-250316-DN50 TF	DN 50	1/2"	8	315	495	751	603	375	220	330	6 mm.	80	1	17.5	0.033
PF-250304-DN65 TF	DN 65	1/2"	8	315	495	751	603	375	220	330	6 mm.	100	1	19	0.033
PF-250316-DN65 TF	DN 65	1/2"	8	315	495	751	603	375	220	330	6 mm.	100	1	19	0.033
PF-292304-80 TF	DN 80	1/2"	3	290	565	674	701	450	250	330	6 mm.	130	1	23.5	0.045
PF-292316-80 TF	DN 80	1/2"	3	290	565	674	701	450	250	330	6 mm.	130	1	23.5	0.045
PF-292304-100 TF	DN 100	1/2"	3	290	565	674	701	450	250	330	6 mm.	160	1	24	0.045
PF-292316-100 TF	DN 100	1/2"	3	290	565	674	701	450	250	330	6 mm.	160	1	24	0.045
PF-292304-125 TF	DN 125	1/2"	3	290	565	674	701	450	250	330	6 mm.	180	1	25.5	0.045
PF-292316-125 TF	DN 125	1/2"	3	290	565	674	701	450	250	330	6 mm.	180	1	25.5	0.045
PF-350304-150TF	DN 150	1/2"	3	300	600	777	825	520	320	400	6 mm.	200	1	37.5	0.08
PF-350316-150 TF	DN 150	1/2"	3	300	600	777	825	520	320	400	6 mm.	200	1	37.5	0.08
PF-350304-200 TF	DN 200	1/2"	3	300	600	777	825	520	320	400	6 mm.	220	1	49	0.082
PF-350316-200 TF	DN 200	1/2"	3	300	600	777	825	520	320	400	6 mm.	220	1	49	0.082
PF-350304-250 TF	DN 250	1/2"	3	300	720	927	975	550	320	400	6 mm.	250	1	60.5	0.104
PF-350316-250 TF	DN 250	1/2"	3	300	720	927	975	550	320	400	6 mm.	250	1	60.5	0.104

19 CAST IRON PRE FILTER

- Pot and pre-filter in cast iron
- Strainer in stainless steel AISI-316
- Inlet and outlet clamps according to DIN 2501 with connections from DN-65 (2½") to DN»200 (8") with 3 closing handles in AISI-316 (depending on model) for a perfect lid seal.

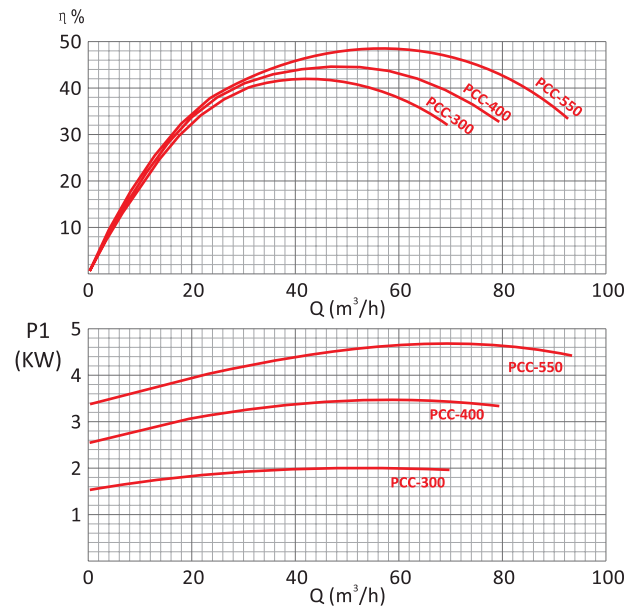
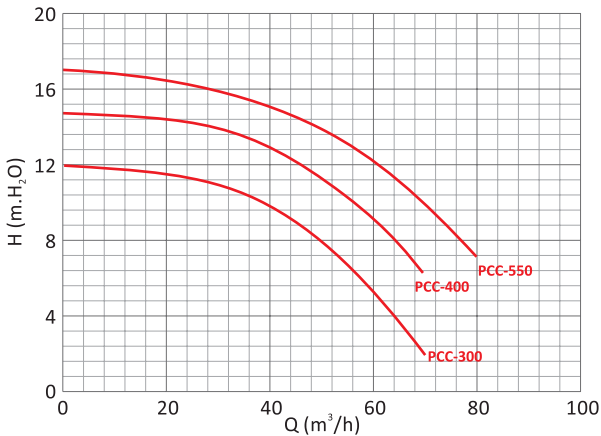
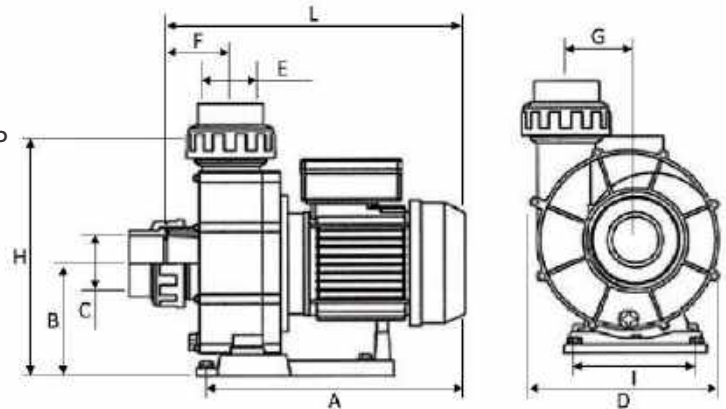


CODE	FLOW RATE	DIMENSIONS										PACKING	WEIGHT	VOLUME
	m³/h	DN	PT	A	B	C	D	DE	HE	DS	HS		kg	lts
F 65/65	55	65	145	380	260	415	360	185	250	185	120	1	20	18
F 80/80	90	80	160	380	260	415	360	200	250	200	120	1	32	18
F 100/100	130	100	180	380	260	415	360	220	270	220	155	1	36	18
F 125/125	220	125	210	380	260	415	360	250	270	250	155	1	36	18
F 150/150	420	150	240	460	340	555	500	285	380	285	190	1	71	22
F 200/200	750	200	295	460	340	555	500	340	380	340	190	1	72	22
V 65/65	55	65	145	489	285	372	338	185	169	185	155	1	78	18
V 80/80	90	80	160	489	285	372	338	200	169	200	155	1	78.5	18
V 100/100	130	100	180	489	285	372	338	200	169	200	155	1	79	18
V 125/125	220	125	210	489	285	372	338	200	169	200	155	1	80	22
V 150/150	420	150	240	489	285	372	338	200	169	200	285	1	81	22

20 COUNTER CURRENT PUMP "PCC" 2900 R.P.M.



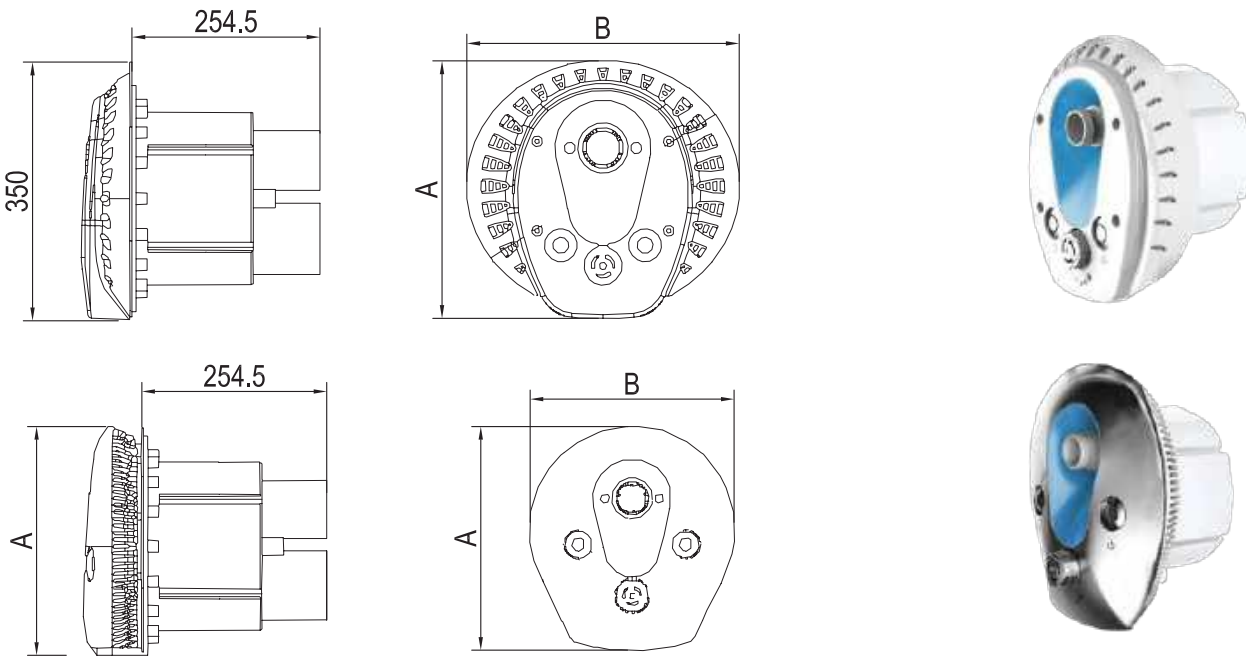
- High-flow centrifugal pump.
- Pump body of polypropylene reinforced by fiberglass, resistant to pool chemicals to provide excellent durability.
- Turbine of Noryl.
- Stainless steel shaft AISI-316.
- Single-phase 3 HP motors or three-phase 3 HP, 4 HP or 5.5 HP motors, all with IP-55 protection.
- Frequency: 50 Hz (60Hz on demand, add-60 after pump code).



CODE	POWER		DIMENSIONS										PACKING	WEIGHT	VOLUME
	kW	HP	A	B	C	D	E	F	G	H	I	L		kg	m ³
PCC-300-M	2.2	3	370	156	Ø 75	260	Ø 75	77	95	340	168/117	440	1	20.8	0.055
PCC-300-T	2.2	3	370	156	Ø 75	260	Ø 75	77	95	340	168/117	440	1	20.8	0.055
PCC-400-T	3	4	410	156	Ø 75	260	Ø 75	77	95	340	168/117	470	1	23	0.055
PCC-550-T	4	5.5	440	156	Ø 75	260	Ø 75	77	95	340	168/177	470	1	25	0.056

COUNTER CURRENT NOZZLE

- Nozzle made entirely of white ABS and Stainless Steel are totally unalterable by UV rays and the harsh chemicals generally used in swimming pools.
- Built-in pneumatic pushbutton to operate relay of the pump's control box.
- Directional jet, venturi outlet, connections.



CODE	POOL	DIMENSIONS		PACKING	WEIGHT	VOLUME
		A	B		kg	m ³
CCN-033	Concrete/Liner	350	370	1	2.5	0.047
CCN-033-SS	Concrete/Liner	360	335	1	2.5	0.047

CONTROL PANEL

- Housed in a clear watertight box with pneumatic electro-pushbutton to ensure complete safety when operating the pump from the water.
- Necessary electrical protection included.



CODE	PHASE	PACKING	WEIGHT	VOLUME
			kg	m ³
CCP-010-M	Single	1	1.36	0.01
CCP-010-T	Three	1	1.36	0.01



03 POOL CIRCULATION

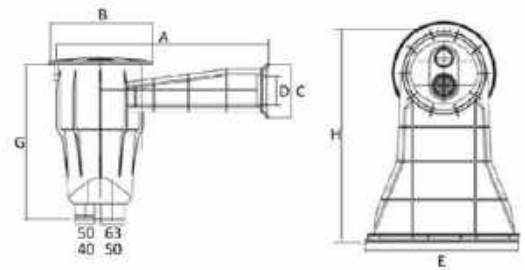
INDEX

01 SKIMMERS	90
02 LEVEL REGULATORS	94
03 MAIN DRAINS	95
04 NOZZELS	105
05 WALL CONDUITS	113

01 SKIMMERS

AQUA ABS OVERFLOW STRAIGHT SKIMMER

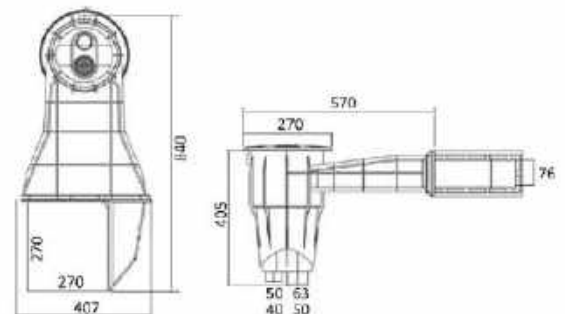
- ABS skimmer with exclusive flared flat mouth for to flow acceleration.
- Injected in one-block.
- Designed and built to increase the water's level up to few centimeters away from the top of the edge.
- Supplied completely with square frame special lid with anti-removal system.
- Fittings D.50 - 63 with shutter flap overflow system D.32x25mf.
- PP Basket, floating weir system thread for pressure test, socket insert, screw in 5.5 316 for mod. Liner, in additional elegant flange cover.
- Flow rate: 9.32 m³/h D.50 - 15.61m³/h D.63.
- In according with legislation UNI 13451.



POOL	CODE	DIMENSIONS							PACKING	WEIGHT	VOLUME
		A	B	C	D	E	G	H		kg	m ³
Concrete	200200004	560	270	140	76	424	405	565	2	5	0.12
Liner	200200003	560	270	140	76	424	405	565	2	5	0.12

AQUA ABS OVERFLOW CORNER SKIMMER

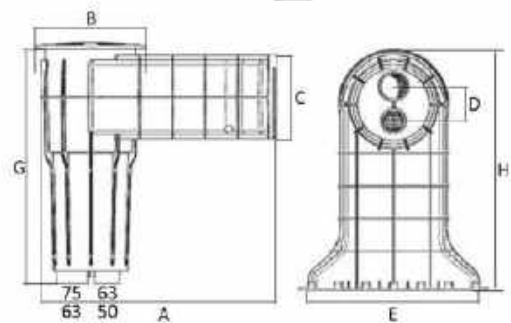
- Exclusive version of the overflow skimmer for installation in the pool corner with the extension of the wall, a natural funnel that captures all the impurities quickly and insuperable for a total cleaning of the water mirror.
- Supplied complete with square frame special lid with anti-removal system.
- Fittings D.50 - 63 with shutter flap overflow system D.32x25mf.
- PP Basket, floating weir system thread for pressure test, socket insert, screw in 5.5. 316 for mod. Liner, in additional elegant flange cover.
- Can be installed in prefabricated pools without sandwich gasket.
- Flow rate: 9.32 m³/h D.50 - 15.61m³/h D.63
- In according with legislation UNI 13451.



POOL	CODE	DESCRIPTION	PACKING	WEIGHT	VOLUME
				kg	m ³
Concrete	200200002	Corner skimmer (right handed)	1	10	0.17
	20200045	Corner skimmer (left handed)	1	10	0.17
Liner	200200001	Corner skimmer (right handed)	1	10	0.17
	200200044	Corner skimmer (left handed)	1	10	0.17

AQUA ABS CLASSIC SKIMMERS

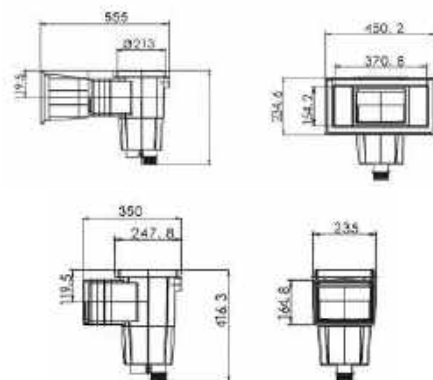
- ABS Skimmer with flared mouth moulded in one-piece without welds.
- Overflow line of clamp more advanced compared to traditional skimmer to increase the rapid and efficient suction.
- Supplied complete with square frame special lid with anti-removal system.
- Fittings D.50 - 63 -75 with shutter flap overflow system D.50.
- PP Basket, anti-noise clamp thread for pressure test, socket insert, screw in S.S. 316 for mod. Liner, in additional elegant flange cover.
- Can be installed in a prefabricated pools without sandwich gasket.
- Liter capacity 22.
- Flow rate: 9.32m³/h D.50 - 15.61m³/h D.63 -22.08m³/h D.75
- In according with legislation UNI 13451.



POOL	CODE	DIMENSIONS							PACKING	WEIGHT kg	VOLUME m ³
		A	B	C	D	E	G	H			
Concrete	2002C0004	575	270	206	85	421	573	590	2	14	0.3
Liner	2002C0003	575	270	206	85	421	573	590	2	14	0.3

ABSWALL SKIMMER REGULAR & WIDE MOUTH

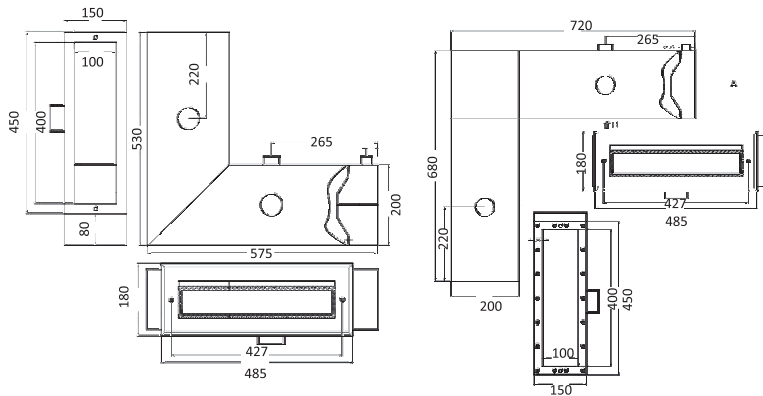
- The skimmer can be used for residential and commercial pools
- 15L wide mouth wall skimmer for concrete and Liner pools
- Made with UV resistant ABS material.
- Maximum strength and durability for all weather conditions.
- The high flexibility design allows 1.5" or 2" suction connections to the piping.



POOL	CODE	DESCRIPTION	CONNECTIONS	FLOW RATE	PACKING	WEIGHT	VOLUME
				m ³ /h		kg	m ³
Concrete	F-111	REGULAR MOUTH	1.5" / 2" thread	9-12	1	3.4	0.055
	F-112	WIDE MOUTH	1.5" / 2" thread	9-12	1	4.7	0.055
Liner	F-113	REGULAR MOUTH	1.5" / 2" thread	9-12	1	5.4	0.112
	F-114	WIDE MOUTH	1.5" / 2" thread	9-12	1	5.8	0.112

STAINLESS STEEL CORNER SKIMMER

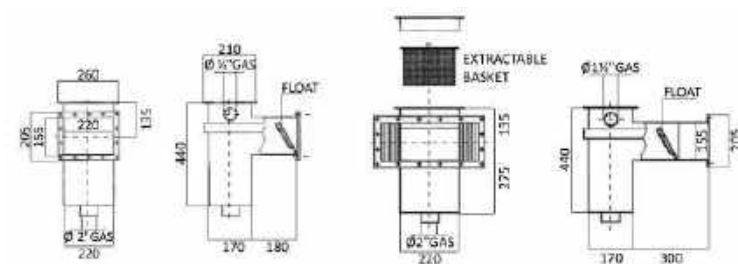
- Made of AISI-316L stainless steel.
- With electrical sensor



POOL	CODE	DESCRIPTION	FLOW RATE	PACKING	WEIGHT	VOLUME
			m ³ /h		kg	m ³
Concrete	19126	Inner corner, 720 x 680 mm	8	1	24	0.072
	19128	Outer corner, 530 x 575 mm	12	1	24	0.072
Liner	19127	Inner corner, 720 x 680 mm	8	1	25	0.072
	19129	Outer corner, 530 x 575 mm	12	1	25	0.072
	19131	Control panel for automatic filling		1	3	0.077

STANDARD STAINLESS STEEL SKIMMER

- Made of AISI-316L stainless steel.



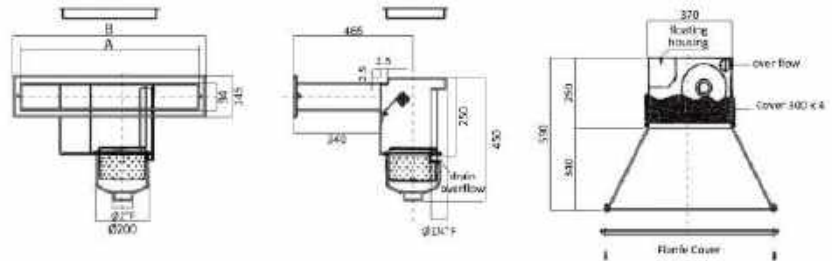
POOL	CODE	MOUTH	FLOW RATE	PACKING	WEIGHT	VOLUME
			m ³ /h		kg	m ³
Concrete	19101R		8	1	12	0.075
	19103R		12	1	15	0.075
	19101		8	1	13	0.075
	19103		12	1	16	0.075
Liner	19102R		8	1	13	0.075
	19104R		12	1	16	0.075
	19102		8	1	13	0.075
	19104		12	1	16	0.075

P.S. With electronic sensor for Automatic Filling

STAINLESS STEEL SKIMMERS FOR LEVEL CHANNEL



- Made of AISI-316L stainless steel.
- For level channel with mouth 600 or 700 mm

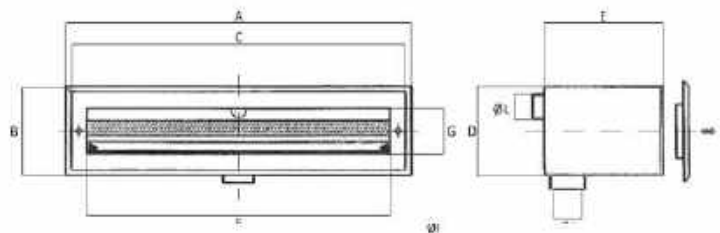


POOL	CODE	FLOW RATE	DESCRIPTION	DIMENSIONS		PACKING	WEIGHT	VOLUME
		m ³ /h		A	B		kg	m ³
Concrete	19110	10	mouth 600 mm	600	650	1	20	0.24
	19002	10	mouth 600 mm automatic filling	600	650	1	20	0.24
	19114	12	mouth 700 mm automatic filling	700	750	1	23	0.24
	19112	12	mouth 700 mm	700	750	1	23	0.24
Liner	19111	10	mouth 600 mm	600	650	1	21	0.24
	19003	10	mouth 600 mm automatic filling	600	650	1	21	0.24
	19115	12	mouth 700 mm automatic filling	700	750	1	26	0.24
	19113	12	mouth 700 mm	700	750	1	25	0.24
	19131		Control panel for automatic filling					

STAINLESS STEEL SKIMMERS WITH REMOVABLE BASKET



- Made of AISI-316L stainless steel.
- Horizontal skimmers for level channel with removable basket from frontal mouth.

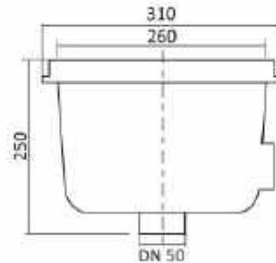


POOL	CODE	FLOW RATE	DIMENSIONS										PACKING	WEIGHT	VOLUME
		m ³ /h	A	B	C	D	E	F	G	ØI	ØL	kg		m ³	
Concrete	19120	8	275	170	250	148	205	391	76	2" F	1" F	1	8	0.030	
	19122	10	475	170	450	148	205	391	76	2" F	1" F	1	11	0.036	
	19124	12	675	170	650	148	205	391	76	2" F	1" F	1	15	0.084	
	19120R	8	275	170	250	148	205	391	76	2" F	1" F	1	8	0.030	
	19122R	10	475	170	450	148	205	400	76	2" F	1" F	1	11	0.036	
	19124R	12	675	170	650	148	205	600	76	2" F	1" F	1	15	0.084	
Liner	19121	8	275	170	250	148	205	391	76	2" F	1" F	1	9	0.030	
	19123	10	475	170	450	148	205	391	76	2" F	1" F	1	12	0.036	
	19125	12	675	170	650	148	205	391	76	2" F	1" F	1	16	0.084	
	19121R	8	275	170	250	148	205	391	76	2" F	1" F	1	9	0.030	
	19123R	10	475	170	450	148	205	400	76	2" F	1" F	1	12	0.036	
	19125R	12	675	170	650	148	205	600	76	2" F	1" F	1	16	0.084	
	19131		Control panel for automatic filling												

02 LEVEL REGULATORS

AQUA ABS LEVEL REGULATOR

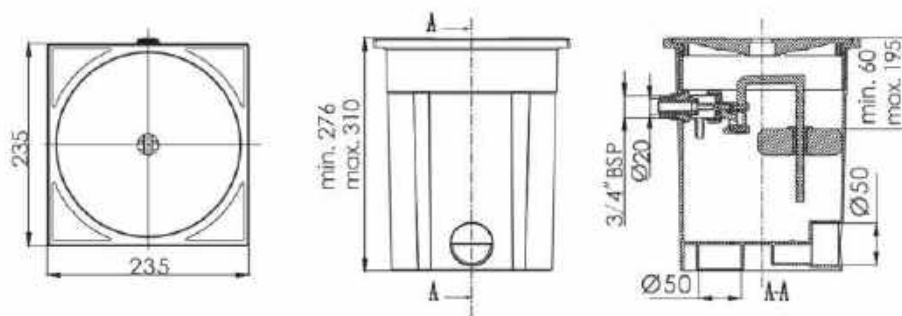
- ABS body, cover adapter, Skimmer cover, skimmer frame cover
- Tap with floaters G 3/8”M & Overflow system stub pipe
- Anti-intrusion system for Skimmer cover Nozzle connection ϕ 50F
- Overflow system connection 050M (to be drilled during installation)
- Water connection 3/4” M
- Standards:
 - Inlet systems UNI EN 1063722006 Par.5.2.3.3
 - UNI EN 13451-1:2002 points 4.41 - 4.5 - 4.6 - 4.11 - 4.12 - 6.1 - 6.2 - 6.3 - 6.1 - 6.2
 - UNI EN 13451-3:2002 points - 4.27 - A.2.2



CODE	DESCRIPTIONS	DIMENSION	PACKING	WEIGHT	VOLUME
		L x W x H		kg	m ³
200200059	MECHANICAL	310 x 310 x 250	1	2	0.045
200200730	ELECTRICAL	310 x 310 x 250	1	2	0.045

ABS WATER LEVEL REGULATOR

- Manufactured of hig-quality ABS Plastic by injection moulding under rigorous production control to guarantee resistance and durability.
- Maximum working pressure is 2.5 bar.



POOL	CODE	CONNECTION	FLOW RATE	PACKING	WEIGHT	VOLUME
			m ³ /h		kg	m ³
Concrete	F-120	Inlet: 20mm OR 3/4 @ BSP Outlet: 50mm	1.8-3	1	1.7	0.0167

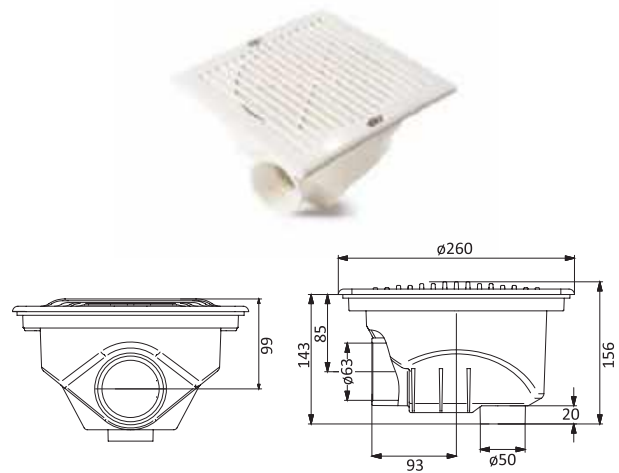
03 MAIN DRAINS

For all kind of main drains the following points need to be taken under consideration:

- Water flow velocity 0.5m/sec. Maximum suction velocity 1.5m/sec.
- Minimum distance between drains is more than 2 meters.
- Recommended to use a special device to deduct the vacuum and automatically switch off the pump.

AQUA ABS SQUARE MAIN DRAIN

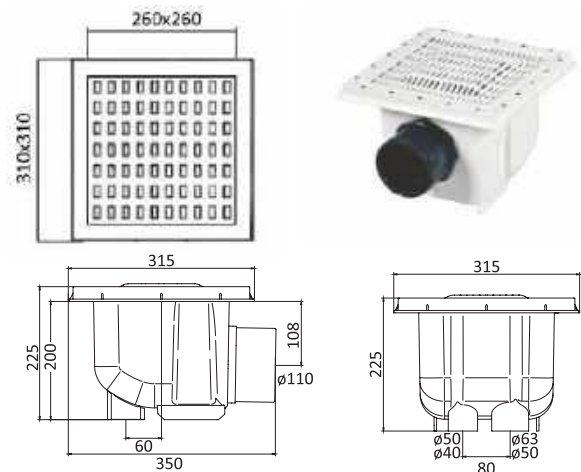
- Main drain made in ABS and anti-vortex grid.
- In accordance with legislation UNI for public use and UNI 13451.
- Lateral fitting D.63F or lower D.50.
- Large diameter (195mm) for accommodate a submersible pump and reduced height (140mm) for floor slot.
- Suckt insert and screw 5.5 316 for mod. Liner. Square frame with adjustable loops for the mod. concrete.



POOL	CODE	Ø PIPE	FLOW RATE AT SPEED	PACKING	WEIGHT	VOLUME
			0.5 m/s m³/h		kg	m³
Concrete	200200038	63F - 75M	28.11	1	1	0.01

ABS AQUAMAX MAIN DRAIN

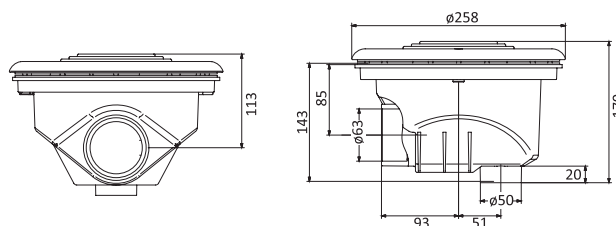
- Made in ABS with anti-vortex grid, ideal for swimming pool with large volumes. 5
- In accordance with legislation UNI for public use and UNI 1341. S
- Flow rate 52 mc/h at speed 0,5 m/s.- Lateral fitting D.125/110.
- External dimension 310x310 h 230mm, ABS grid 260x260mm.
- Suckt insert and screw INOX 316 for mod. Liner.



POOL	CODE	Ø PIPE	FLOW RATE AT SPEED	PACKING	WEIGHT	VOLUME
			0.5 m/s m³/h		kg	m³
Concrete	200200061	90	49.59	1	2	0.03
		125	52.71	1	2	0.03
Liner	200200060	90	49.59	1	3	0.03
		125	52.71	1	3	0.03

AQUA ABS ROUND MAIN DRAIN

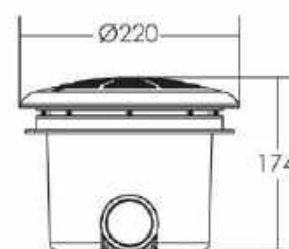
- Main drain made in ABS and anti-vortex grid.
- In accordance with legislation UNI for public use and UNI 13451.
- Lateral fitting D.63F or lower D.50.
- Large diameter (195mm) for accommodate a submersible pump and reduced height (140mm) for floor slot.
- Sucket insert and screw 5.5 316 for mod. Liner.
- Square frame with adjustable loops for concrete.



POOL	CODE	Ø PIPE	FLOW RATE AT SPEED	PACKING	WEIGHT	VOLUME
			0.5 m/s m ³ /h		kg	m ³
Liner	200200037	63 -75	29.72	1	2	0.01

ABS ROUND MAIN DRAIN

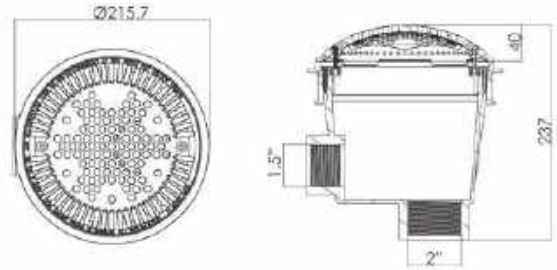
- High quality main drain made in ABS with anti-vortex grid
- Resistance in corrosion and ultraviolet
- ANSP / APSP >1602011 standard



POOL	CODE	FLOW RATE	PACKING	WEIGHT	VOLUME
		m ³ /h		kg	m ³
Concrete	F-121	9	1		
Liner	F-122	9	1	1.1	0.010

VGB ABS SAFETY ROUND MAIN DRAIN

- High quality main drain made in ABS
- Resistance in corrosion and ultra-violet
- ANSP/APSP -1602011 standard



POOL	CODE	CONNECTION	FLOW RATE	PACKING	WEIGHT	VOLUME
			m ³ /h		kg	m ³
Concrete	F-126	1.5" / 2" Threaded	14.4	8	12	0.123

ABS FLASH MAIN DRAIN

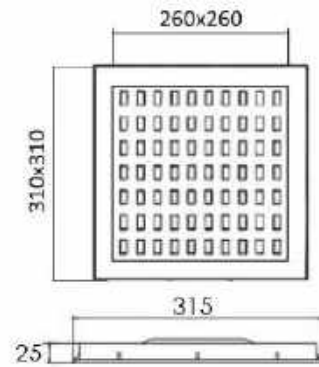
- High quality main drain made in ABS with anti-vortex grid
- Resistance in corrosion and ultraviolet
- ANSP / APSP -1602011 standard



POOL	CODE	CONNECTION	FLOW RATE	PACKING	WEIGHT	VOLUME
			m ³ /h		kg	m ³
Liner	F-123	G2 Internal threaded	13.02	1	4.7	0.040
Concrete	F-124	G2 Internal threaded	13.02	1	3.4	0.040

AQUA ABS SAFETY COVERS

- Made in ABS with anti-vortex grid, ideal for swimming pool with large volumes.
- In accordance with legislation UNI for public use and UNI1341.
- Flow rate 52 mc/h at speed 0,5 m/s.
- Lateral fitting D.125/110. a nunnnnnnuu
- External dimension 310x310x25 mm, ABS grid 260x260mm.
- Sucket insert and screw INOX 316 for mod. Liner.



POOL	CODE	Ø PIPE	FLOW RATE AT SPEED	PACKING	WEIGHT	VOLUME
			0.5 m/s m³/h		kg	m³
Concrete	200200061C	90	49.59	1	2	0.03
		125	52.71	1	2	0.03
Liner	200200060C	90	49.59	1	3	0.03
		125	52.71	1	3	0.03

VGB ABS SQUARE MAIN DRAIN COVER

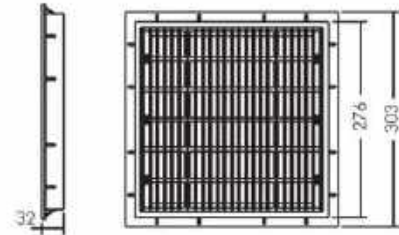
- High quality main drain made in ABS with anti-vortex grid
- Resistance in corrosion and ultra-violet
- External dimension 304 x 304 h 66mm, ABS gri 279 x 279 mm
- ANSP/APSP -1602011 standard



POOL	CODE	FLOW RATE	PACKING	WEIGHT	VOLUME
		m³/h		kg	m³
Concrete	F-101	54	20	29.2	0.164
Concrete	F-102	216	8	8.8	0.028

ABS SQUARE MAIN DRAIN COVER

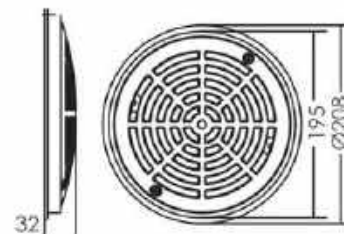
- High quality main drain made in ABS with anti-vortex grid
- Resistance in corrosion and ultra-violet
- External dimension 303 x 303 h 32mm, ABS gri 276 x 276 mm
- ANSP/APSP -1602011 standard



POOL	CODE	FLOW RATE	PACKING	WEIGHT	VOLUME
		m ³ /h		kg	m ³
Concrete	F-152	51			

ABS ROUND MAIN DRAIN COVER

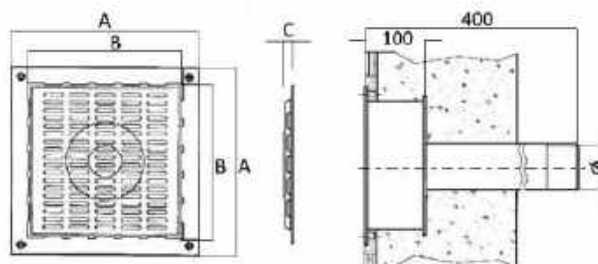
- High quality main drain made in ABS with anti-vortex grid
- Resistance in corrosion and ultra-violet
- ANSP/APSP -1602011 standard



POOL	CODE	FLOW RATE	PACKING	WEIGHT	VOLUME
		m ³ /h		kg	m ³
Concrete	F-137	33.48	30	13.5	0.099

STAINLESS STEEL WALL SAFETY GRATE WITH CASING

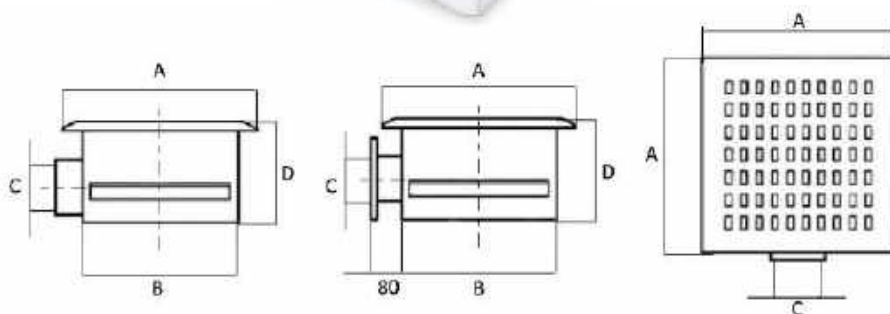
- Made of AISI 316L stainless steel.
- For concrete pools.



CODE		CONNECTION	FLOW RATE AT SPEED	DIMENSIONS			PACKING	WEIGHT	VOLUME
CONCRETE	LINER	Ø	0.5 m/s m³/h	A	B	C		kg	m³
F-168	F-173	1 x 3"	25	300 x 300	240 x 240	23	1	8	0.091
F-169	F-174	1 x 4"	40	350 x 350	290 x 290	23	1	10	0.091
F-170	F-175	1 x 5"	60	450 x 450	390 x 390	23	1	12	0.091
F-171	F-176	2 x 4"	73	550 x 350	490 x 290	23	1	15	0.0124
F-172	F-177	2 x 5"	84	660 x 450	600 x 390	28	1	18	0.0175

STAINLESS STEEL SQUARE DRAINS

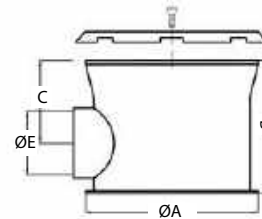
- Made of AISI 316 stainless steel, the upper grille has shiny finish.



CODE	DIMENSIONS				FLOW RATE AT SPEED	PACKING	WEIGHT	VOLUME
	A	B	C	D	0.5 m/s m³/h		kg	m³
F-146	250	200	2" F	170	22	1	6	0.012
F-147	300	250	3" F	200	37	1	8	0.03
F-148	350	300	4" F	200	59	1	10	0.04
F-149	450	400	DN 125	290	78	1	25	0.125
F-150	500	450	DN 150	320	134	1	30	0.137

STAINLESS STEEL ROUND POOL DRAIN

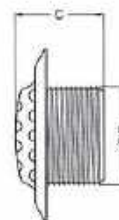
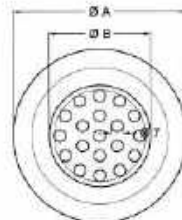
- Made of AISI 316/L - V4A Stainless Steel.
- Connection 2" F.



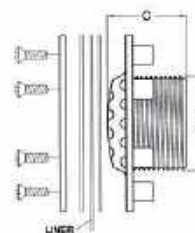
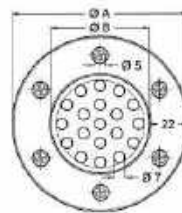
POOL	CODE	FLOW RATE AT SPEED	DIMENSIONS					PACKING	WEIGHT	VOLUME
		0.5 m/s m ³ /h	A	B	C	ØD	ØE		kg	m ³
Concrete	20099	20	170	125	75	190	2" F	1	3	0.008
Liner	20100	20	170	125	75	190	2" F	1	4	0.008
Concrete	20120	25	220	190	140	250	2½" F	1	5	0.015
Liner	20121	25	220	190	140	250	2½" F	1	6	0.015

STAINLESS STEEL SUCTIONS ROUND DRAIN

- Made of AISI 316L stainless steel.



17129/17130/17131/17132



17133/17135/17136/17137

POOL	CODE	DIMENSIONS				FLOW RATE AT SPEED	PACKING	WEIGHT	VOLUME
		A	B	C	D	4 m/s m ³ /h		kg	m ³
Concrete	17129	104	61	50	2"	6	1	1	0.009
Concrete	17130	143	95	56	3"	13.5	1	1	0.018
Concrete	17131	155	110	68	4"	21	1	2	0.004
Concrete	17132	210	125	80	5"	28.5	1	2	0.004
Liner	17133	106	62	48	2"	6	1	1	0.009
Liner	17135	144	90	58	3"	13.5	1	1	0.018
Liner	17136	160	110	66	4"	21	1	2	0.004
Liner	17137	210	130	74	5"	28.5	1	2	0.004

STAINLESS STEEL SUCTIONS WALL THROUGH

- Made of AISI 316L stainless steel.



POOL	CODE	CONNECTIONS	FLOW RATE AT SPEED	PACKING	WEIGHT	VOLUME
			4 m/s m ³ /h		kg	m ³
Concrete	17140	Threaded 3"	6	1	5	0.028
Concrete	17141	Threaded 4"	13.5	1	6	0.040
Concrete	17142	Threaded DN 125"	21	1	8	0.064
Concrete	17143	Threaded DN 150"	28.5	1	10	0.088
Liner	17154	Threaded 3"		1	6	0.028
Liner	17155	Threaded 4"		1	7	0.040
Liner	17156	Flanged DN 125		1	9	0.061
Liner	17157	Flanged DN 150		1	11	0.088

STAINLESS STEEL WALL GRILL SCREW IN PIPE

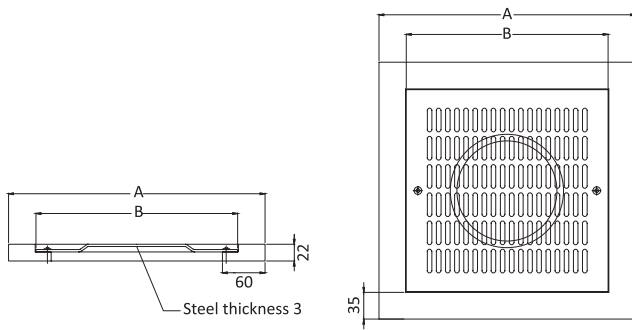
- Made of AISI 316L stainless steel.



CODE	DIMENSIONS				FLOW RATE AT SPEED	PACKING	WEIGHT	VOLUME
	A	B	C	D	4 m/s m ³ /h		kg	m ³
17086	106	62	48	2"	6	1	1	0.018
17087	144	90	58	3"	13.5	1	1	0.018
17088	160	110	66	4"	21	1	1	0.004

STAINLESS STEEL STANDARD BOTTOM GRILLE COVER

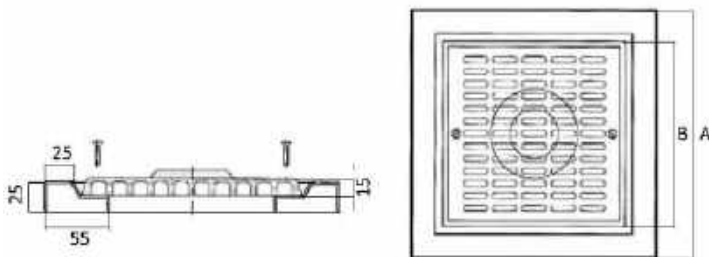
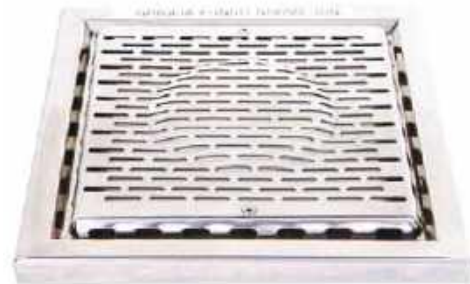
- Made of AISI 316L stainless steel.



CODE		FLOW RATE AT SPEED	DIMENSIONS		PACKING	WEIGHT	VOLUME
CONCRETE	LINER		A	B		kg	m ³
F-155	F-160	17	280 x 280	200 x 200	1	1.7	0.001
F-156	F-161	28	325 x 325	250 x 250	1	2.4	0.003
F-157	F-162	39	380 x 380	300 x 300	1	3.2	0.004
F-158	F-163	69	480 x 480	400 x 400	1	5.1	0.006
F-159	F-164	108	580 x 580	500 x 500	1	5.9	0.010

STAINLESS STEEL SAFETY BOTTOM GRATE COVER

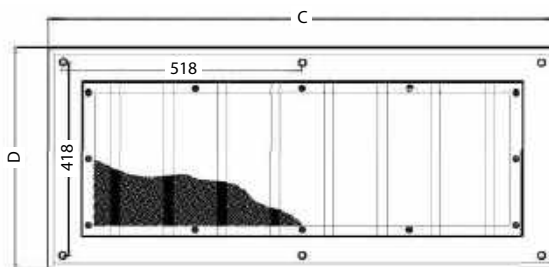
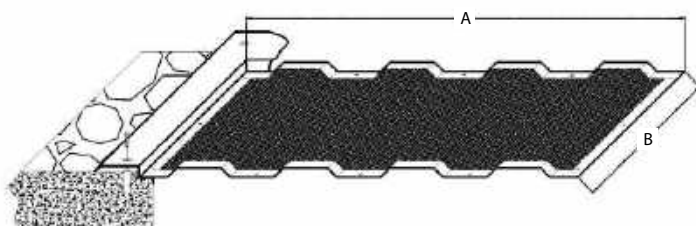
- Made of AISI 316L stainless steel.
- For concrete pools.



CODE		FLOW RATE AT SPEED	DIMENSIONS		PACKING	WEIGHT	VOLUME
CONCRETE	LINER		A	B		kg	m ³
F-165	F-165-L	45	355 x 355	295 x 295	1	4	0.003
F-166	F-166-L	80	455 x 455	395 x 395	1	5	0.006
F-167	F-167-L	140	555 x 555	495 x 495	1	6	0.009

STAINLESS STEEL RECTANGULAR WALL SAFETY GRATE COVER

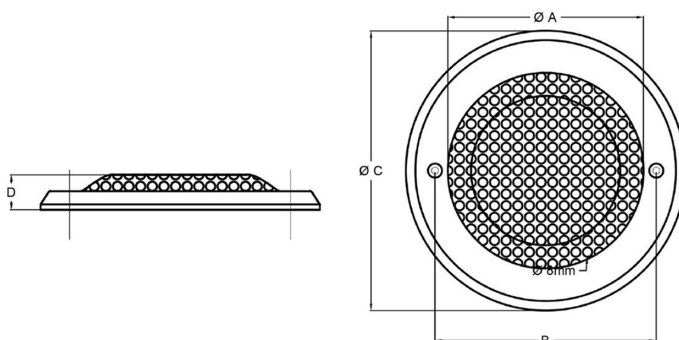
- Made of AISI 316L stainless steel.



CODE	FLOW RATE AT SPEED	DIMENSIONS				PACKING	WEIGHT	VOLUME
	0.5 m/s m ³ /h	A	B	C	D		kg	m ³
F-178	190	723	330	871	478	1	7	0.045
F-179	250	948	330	1096	478	1	9	0.06

STAINLESS STEEL ROUND BOTTOM GRILL COVER

- Made of AISI 316L stainless steel.

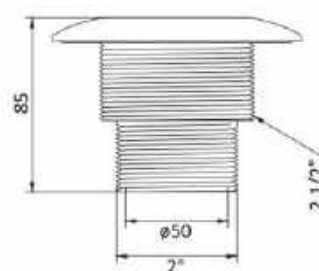


CODE	FLOW RATE AT SPEED	DIMENSIONS				PACKING	WEIGHT	VOLUME
	0.5 m/s m ³ /h	A	B	C	D		kg	m ³
17200	21	168	195	260	33	1	1	0.009
17201	42	220	247	315	31	1	2	0.012
17202	66	273	300	380	47	1	2	0.016
17203	78	320	347	430	34	1	3	0.020

04 NOZZLES

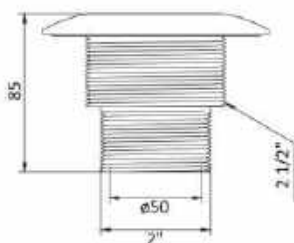
AQUA ABS RETURN WALL INLET

- Injection nozzle designed for high flow rate.
- The innovative design, an inward embrasure form with directional fins improve the distribution of flow and adjustable fins improve the flow distribution.
- The outer—clamping ring nut also has a embrasure and conical form, that allows to distribute extending the flow distribution effect creating a twirled conical effect of the flow right from the very beginning of the water's emissions 5 socket insert. «.1
- Screw in INOX 316 for mod. Liner, in additional elegant flange cover. '77
- Flow rate: 13.49 at speed 4m/sec
- In accordance with legislation UNI 13451.



CODE	DESCRIPTION	PACKING	WEIGHT	VOLUME
			kg	m ³
200200017F	Directional return wall inlet for concrete 2" male thread, 50mm inside glue	50	20	0.09
200200048F	Return wall inlet for liner 2" male thread, 50mm inside glue	50	20	0.09

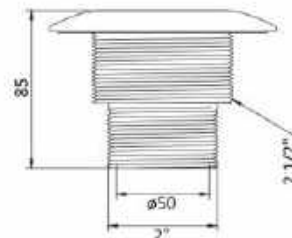
AQUA ABS OVERFLOW CHANNEL DRAIN AND VACUUM POINT



CODE	DESCRIPTION	PACKING	WEIGHT	VOLUME
			kg	m ³
200200020	Suction grill	1	0.1	0.001
200200021	Valve hose tail	1	0.1	0.001
200200022	Blanking plate	1	0.1	0.001
200200047F	Wall inlet for concrete 2" male thread, 50mm inside glue	1	0.2	0.01
200200049F	Wall inlet for liner 2" male thread, 50mm inside glue	1	0.2	0.01

AQUA ABS FLOOR NOZZLE

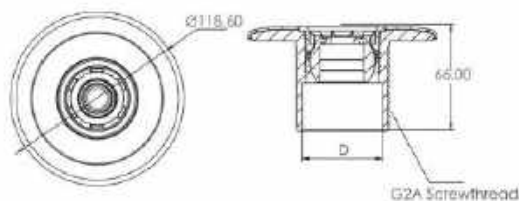
- ABS floor nozzle with radial emission nozzle made in ABS with fitting 6563 and $\phi 50$.
- Complete with gasket, fixing flange at 5 screw in INOX 316 and cover flange.
- Flow rate: 13.49 at speed 4m/sec.
- In accordance with legislation UNI 13451.



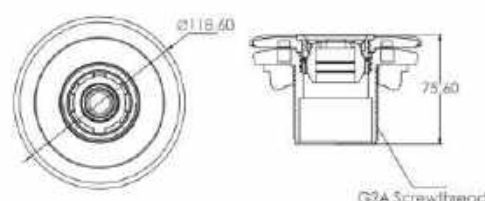
CODE	DESCRIPTION	PACKING	WEIGHT	VOLUME
			kg	m ³
200200028F	Radial floor inlet for concrete 2" male thread, 50mm inside glue	1	0.19	0.01
200200027F	Radial floor inlet for liner 2" male thread, 50mm inside glue	1	0.19	0.01

ABS WALL RETURN INLET

- High quality Return inlet made in ABS
- Resistance in corrosion and ultra-violet
- ANSP / APSP -1602011 standard



F-201

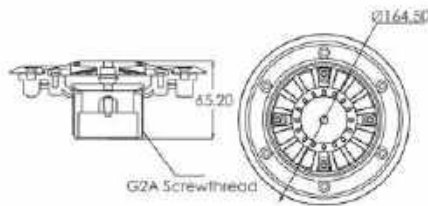


F-202

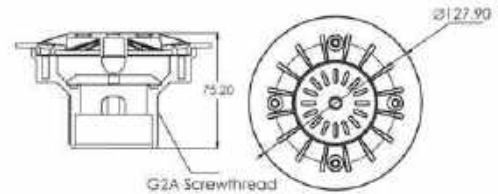
POOL	CODE	CONNECTION	FLOW RATE	PACKING	WEIGHT	VOLUME
			m ³ /h		kg	m ³
Concrete	F-201	50 mm solvent, G2A screw thread	9	24	9.4	0.041
Liner	F-202	50 mm solvent, G2A screw thread	9	24	5.1	0.041

ABS FLOOR INLET

- High quality Return inlet made in ABS
- Resistance in corrosion and ultra-violet
- ANSP / APSP -1602011 standard



F-194

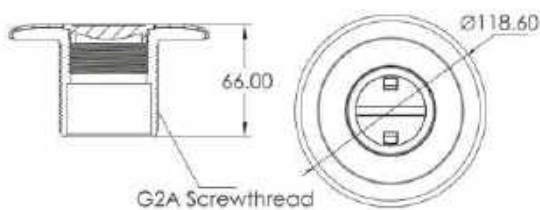


F-194-L

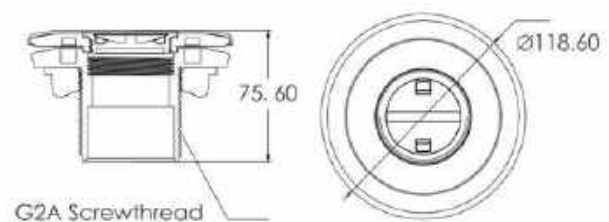
POOL	CODE	CONNECTION	FLOW RATE	PACKING	WEIGHT	VOLUME
			m ³ /h		kg	m ³
Concrete	F-194	Gb50 Solvent, G2A Screw thread	12	24	5.4	0.041
Liner	F-194-L	50 MM SOLVENT, G2A SCREW THREAD	9	12	5	0.021

ABS VACUUM POINT

- High quality vacuum point made in ABS
- Resistance in corrosion and ultra-violet
- ANSP / APSP -1602011 standard



F-203

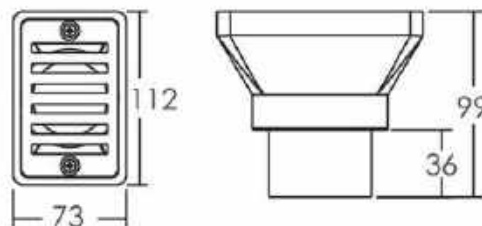


F-204

POOL	CODE	CONNECTION	FLOW RATE	PACKING	WEIGHT	VOLUME
			m ³ /h		kg	m ³
Concrete	F-203	50mm Solvent, G2A Screw thread	9	24	5	0.041
Liner	F-204	50mm Solvent, G2A Screw thread	13.02	12	4.1	0.021

ABS WALL RETURN GUTTER DRAIN

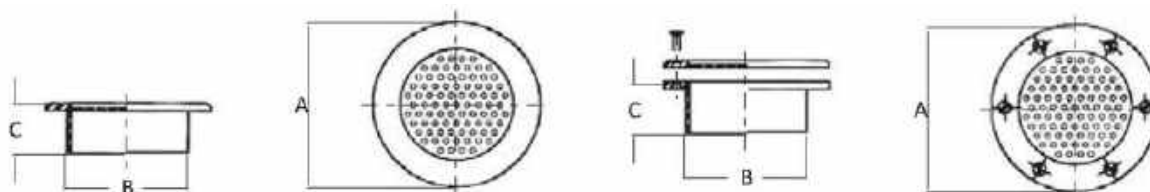
- High quality main drain made in ABS with anti-vortex grid
- Resistance in corrosion and ultra-violet
- ANSP / APSP -1602011 standard



POOL	CODE	FLOW RATE	PACKING	WEIGHT	VOLUME
		m ³ /h		kg	m ³
Concrete	F-198	9	12	3	0.0128

STAINLESS STEEL ORIENTABLE WALL INLETS

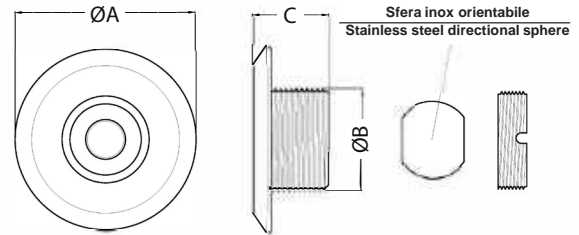
- Made of AISI 316 stainless steel.



POOL	CODE	DIMENSION			FLOW RATE AT SPEED	PACKING	WEIGHT	VOLUME
		A	B	C	4 m/s m ³ /h		kg	m ³
Concrete	F-210	100	1½"	43	4	1	1	0.009
	F-211	104	2"	45	6	1	1	0.009
	F-212	143	3"	45	13.5	1	1	0.018
	F-213	168	4"	51	21	1	2	0.004
Liner	F-214	95	1½"	46	4	1	1	0.009
	F-215	106	2"	48	6	1	1	0.009
	F-216	144	3"	50	13.5	1	2	0.018
	F-217	160	4"	57	21	1	2	0.018

STAINLESS STEEL ORIENTAL WALL INLETS

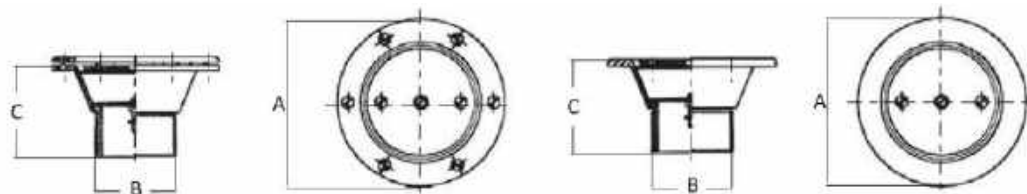
• Made of AISI 316L stainless steel.



POOL	CODE	DIMENSION			FLOW RATE AT SPEED	PACKING	WEIGHT	VOLUME
		A	B	C	4 m/s m ³ /h		kg	m ³
Concrete	F-218	100	1½"	42	4	1	1	0.009
	F-219	104	2"	42	6	1	1	0.009
	F-220	135	3"	50	13	1	2	0.018
Liner	F-221	96	1½"	47	4	1	1	0.009
	F-222	106	2"	50	6	1	1	0.009
	F-223	137	3"	52	13	1	2	0.018

STAINLESS STEEL ADJUSTABLE FLOOR INLETS

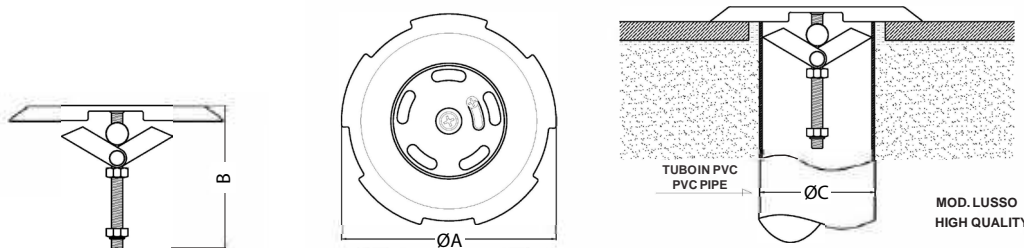
• Made of AISI 316L stainless steel.



POOL	CODE	DIMENSIONS			FLOW RATE AT SPEED	PACKING	WEIGHT	VOLUME
		A	B	C	4 m/s m ³ /h		kg	m ³
Concrete	F-230	145	2"	55	8	1	1	0.018
Liner	F-231	145	2"	60	8	1	1	0.018

STAINLESS STEEL ADJUSTABLE FLOOR INLET “LUSSO”

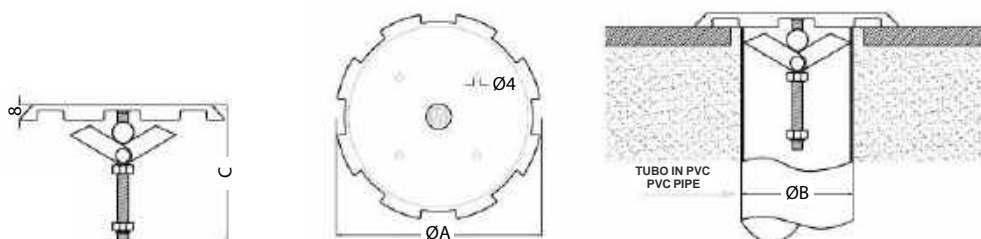
- Made of AISI 316L stainless steel.
- For concrete pools.



CODE	DIMENSIONS			FLOW RATE AT SPEED	PACKING	WEIGHT	VOLUME
	A	B	C	4 m/s m³/h		kg	m³
F-232	120	80	50-63	3	1	1	0.009
F-233	145	80	75-90	5	1	1	0.018

STAINLESS STEEL FIXED FLOOR INLET “STANDARD”

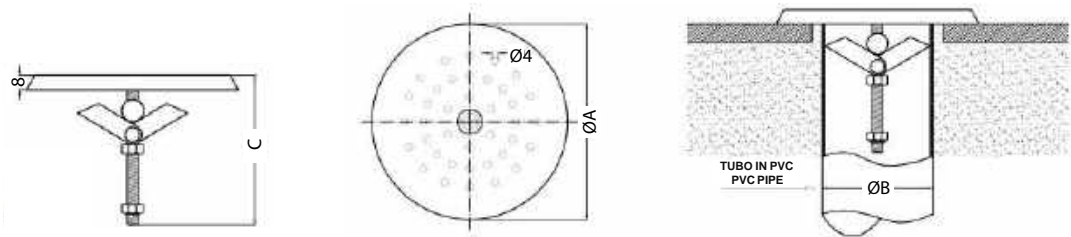
- Made of AISI 316L stainless steel.
- For concrete pools.



CODE	DIMENSIONS			FLOW RATE AT SPEED	PACKING	WEIGHT	VOLUME
	A	B	C	4 m/s m³/h		kg	m³
F-234	115	50-63	70	4	1	1	0.018
F-235	135	75-90	70	6	1	1	0.018

STAINLESS STEEL FIXED FLOOR INLET MOD. KAISER

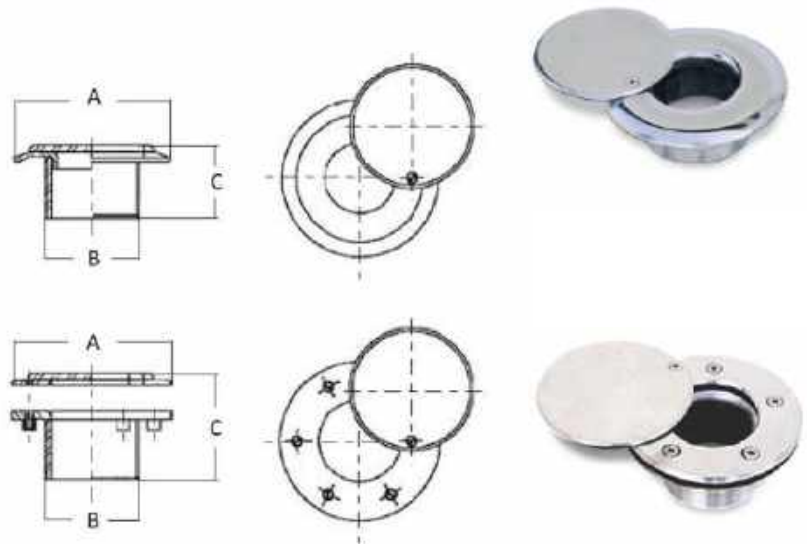
- Made of AISI 316L stainless steel.
- For concrete pools.



CODE	DIMENSIONS			FLOW RATE AT SPEED 4 m/s m ³ /h	PACKING	WEIGHT kg	VOLUME m ³
	A	B	C				
F-236	102	50-63	80	8	1	1	0.009
F-237	130	75-90	80	18	1	1	0.018

STAINLESS STEEL SUCTIONS

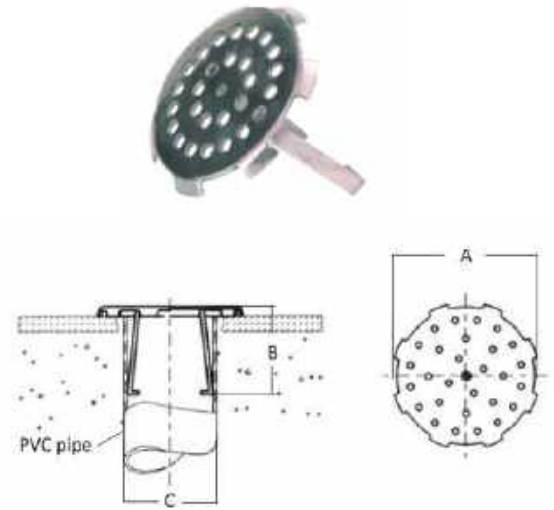
- Made of AISI 316L stainless steel.



POOL	CODE	DIMENSIONS			PACKING	WEIGHT kg	VOLUME m ³
		A	B	C			
Concrete	F-240	100	2"	47	1	1	0.018
Liner	F-241	100	2"	50	1	1	0.018

STAINLESS STEEL OVERFLOW CHANNEL DRAIN

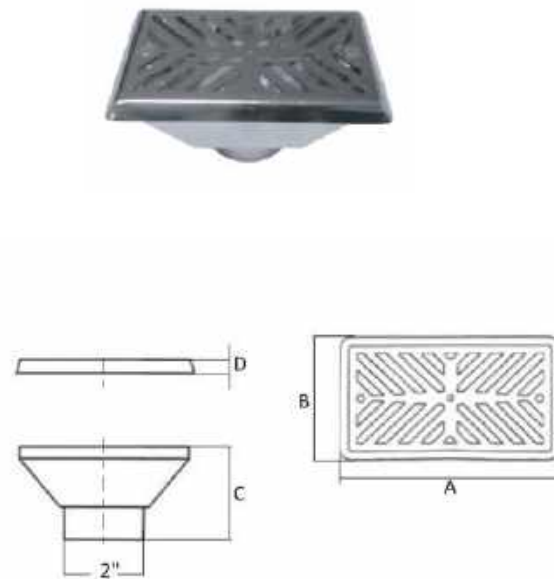
- Made of AISI 316L stainless steel.
- Complete with hook for fixing.



CODE	DIMENSIONS			FLOW RATE AT SPEED	PACKING	WEIGHT	VOLUME
	A	B	C				
				4 m/s m ³ /h		kg	m ³
F-245	108	70	63/70	10	1	1	0.006
F-246	130	80	90/70	20	1	1	0.006

STAINLESS STEEL GRILL (FOLDED)

- Made of AISI 316L stainless steel.

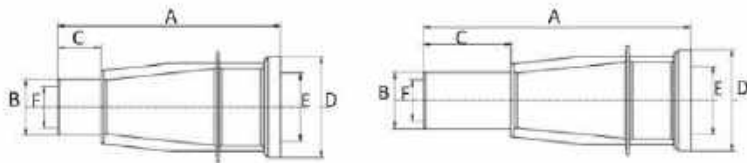


POOL	CODE	DIMENSIONS				FLOW RATE AT SPEED	PACKING	WEIGHT	VOLUME
		A	B	C	D				
						4 m/s m ³ /h		kg	m ³
Concrete	F-248	166	95	87	12	13	1	1	0.006
Liner	F-248-L	150	81	87	12	13	1	1	0.006

05 WALL CONDUITS

AQUA ABS WALL CONDUIT

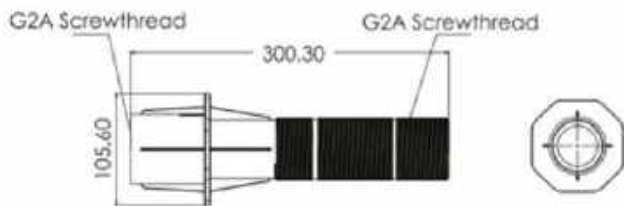
- ABS wall conduit with site for collection nozzle.



CODE	DIMENSIONS						PACKING	WEIGHT	VOLUME
	A	B	C	D	E	F		kg	m ³
200200686	250	Ø63	48	Ø113	2½" inside thread	1½" inside thread	1	0.50	0.006
200200685	300	Ø63	98	Ø113	2½" inside thread	1½" inside thread	1	0.60	0.006

ABS WALL CONDUIT

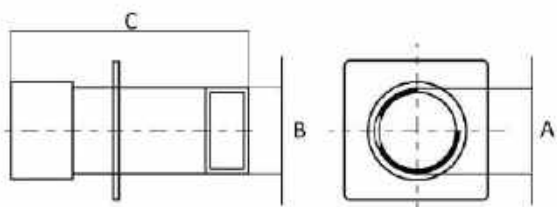
- ABS wall conduit with site for collection nozzle.



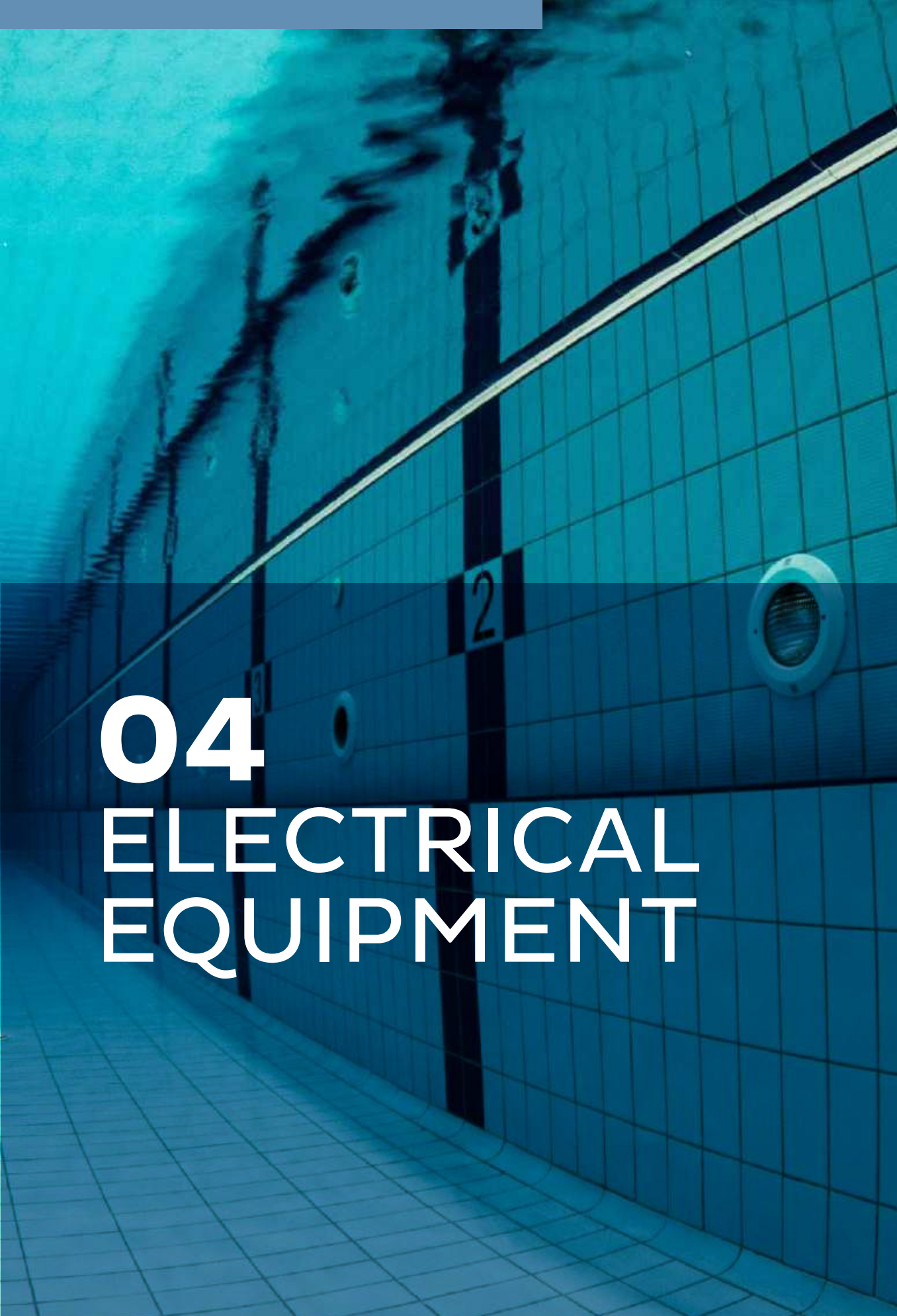
CODE	CONNECTIONS	PACKING	WEIGHT	VOLUME
			kg	m ³
F-250	50 mm solvent, G2A screw thread	1	0.50	0.006

STAINLESS STEEL WALL CONDUITS

- Made of AISI 316 stainless steel.



CODE	DIMENSION			PACKING	WEIGHT	VOLUME
	A	B	C		kg	m ³
F-253	1½"	1½"	250/350	1	1	0.006
F-254	2"	2"	250/350	1	1	0.006
F-255	3"	3"	400	1	2	0.010
F-256	4"	4"	400	1	3	0.010

An underwater photograph of a swimming pool. The view is from below, looking up at a tiled wall. A diving board is visible in the upper right, extending diagonally across the frame. The wall has a grid pattern of tiles and a circular light fixture. The number '2' is visible on the wall. The overall color is a deep teal/blue.

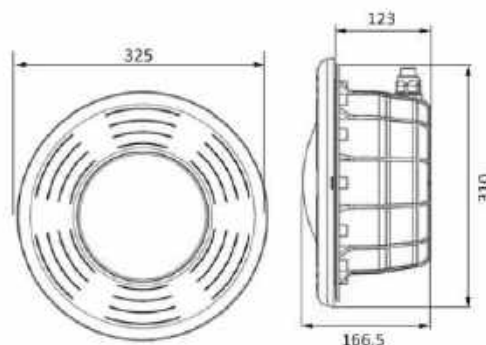
04 ELECTRICAL EQUIPMENT

INDEX

01	AQUA ABS LUXE UNDERWATER LIGHTS	116
02	ABS UNDERWATER LIGHT	117
03	“AQUALUXE” LED LIGHT	118
04	UNDERWATER LED BULBS & REMOTE PAR 56 AC	119
05	UNDERWATER LED BULBS & REMOTE PAR 56 DC	120
06	RESIN UW LED BULB PAR 56 AC	121
07	RESIN UW LED BULB PAR 56 DC	122
08	AQUA LED SPOT LIGHT	123
09	ABS “MINI DICHRO” UNDERWATER LIGHT	124
10	MINI RESIN SPOT LIGHT AC	125
11	MINI RESIN SPOT LIGHT DC	126
12	UNDER WATER FLAT LIGHT	127
13	ABS WALL MOUNTED FLAT LIGHT	128
14	ABS LED FLAT LIGHT	129
15	ABS LED FLAT LIGHT	130
16	BIG ABS LED RESIN FLAT LIGHT DC	131
17	SMALL ABS LED RESIN FLAT LIGHT DC	132
18	STAINLESS STEEL LARGE U/W LIGHT WITH NICHE	133
19	STAINLESS STEEL ROUND HALOGEN LIGHTS	134
20	STAINLESS STEEL SQUARE HALOGEN LIGHTS	135
21	STAINLESS STEEL ROUND LED LIGHTS, WHITE AND WARM WHITE COLOR	136
22	STAINLESS STEEL ROUND LED LIGHTS - RGB COLOR CHANGE	137
23	STAINLESS STEEL MINI SPOT ROUND LIGHT	138
24	STAINLESS STEEL LED FLAT LIGHT	139
25	STAINLESS STEEL LED FLAT LIGHT	140
26	STAINLESS STEEL ULTRA FLAT LED RESIN LIGHT DC	141
27	ULTRA THING RESIN FILLED WALL MOUNT LED	142
28	RECESSED LED POOL LIGHT	143
29	RECESSED LED POOL LIGHT WITH ALUMINIUM ANODIZED REFLECTOR	144
30	CONNECTION BOX	145
31	FLEXIBLE CONNECTION CABLE	146
32	INSULATING GEL IP68	146
33	DC TRANSFORMER	146
34	CASCADE TRANSFORMER	147

01 AQUA ABS LUXE UNDERWATER LIGHTS

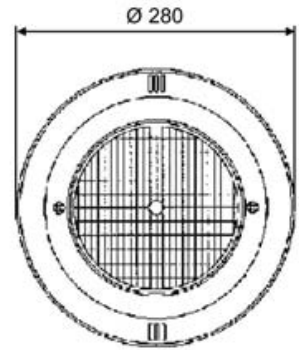
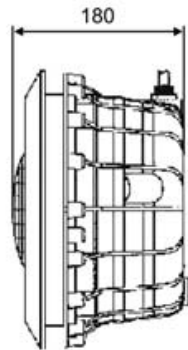
- ABS light PAR56 suitable for both liner and concrete pools
- Supplied with 12V AC lamp (standard 300W and LED are available).
- Kit also contains: light body, light box with connector, power derivation box CEI approved with connector, flexible hose protector.
- 2.5mt panel installation without sandwich gasket.
- Installation kit for the desired kind of structure (Liner, Concrete).
- IP 68 protection rate.



STRUCTURE	CODE	DESCRIPTION	LUMEN	SPOT	PACKING	WEIGHT	VOLUME
						kg	m ³
Concrete	200300002	Par56 under water Halogen light complete with installation kit	4000	300W - 12V AC	1	4.5	0.035
Liner	200300001	Par56 under water Halogen light complete with installation kit	4000	300W - 12V AC	1	4.5	0.035
	SSRIM04	Stainless steel AISI316L V4A rim			1	0.6	0.01

02 ABS UNDER WATER LIGHT

- Made of top quality ABS materials with UV resistant additives.
- The fixing of the front part is with stainless steel claws for a stronger grip and longer life.
- Niche with back thread of 3/4", with an optional marked hole for rear connection.
- Supplied with a very soft & water tight cable of 2.5 meters of length.
- Supplied with a water tight gland and a corrugated tube of 1 meter.
- Available with color options.
- With brass inserts or self-threading.
- Sandwich seals for panel pools.
- CE certified.
- IP68 protection.



CODE	DESCRIPTION	WATT	LUMEN	PACKING	WEIGHT	VOLUME
		12V - AC			kg	m ³
E-101	ABS Underwater light round concrete	300W - 12V	4000	1	2.70	0.015
E-105	ABS Underwater light round liner	300W - 12V	4000	1	2.70	0.015
SSRIM03	Stainless steel AISI 316L V4A Rim			1	0.60	0.01

03 “AQUALUXE” LED LIGHT

- The AQUALUXE led lamp is simple and based on revolutionary construction with patent, that can allow the use of high power led into a body entirely in poly carbonate.
- The high precision of injection molds makes the structure completely sealed and impervious to oxidation.
- Able to generate a high brightness with very little consumption.
- Operation with standard transformers 12V AC allows easy replacement in existing systems.
- The color changing version is controlled either through on-of'f or by remote control.
- IP 68 protection rate.



CODE	DESCRIPTION	SPOT	LUMEN	PACKING	WEIGHT	VOLUME
					kg	m ³
200300013	AQUALUXE LED Light - white	30W - 12V	1800	1	0.1	0.01
200300014	AQUALUXE LED Light - color	30W - 12V	1015	1	0.1	0.01
200300013C	AQUALUXE hot white led Light	30W - 12V	1800	1	0.1	0.01
200300026	AQUALUXE power white lamp	50W - 12V	3700	1	0.1	0.01
200300027	AQUALUXE power lamp changing colors	50W - 12V	3500	1	0.1	0.01
200300026C	AQUALUXE power hot white led light	50W - 12V	3700	1	0.1	0.01
200300030	Remote control & Receiver for multicolor LED Maximum 300 WATT			1	0.5	0.002

04 UNDERWATER LED BULBS & REMOTE PAR 56 AC

- Completely in water proof 316 stainless steel lamp body shell.
- With stainless steel 316 heat diffusing ring.



REMOTE CONTROLLER - RC-02



CODE	DESCRIPTION	COLOR	LED	LUMEN	WATTS	VOLTAGE	PACKING	WEIGHT	VOLUME
								kg	m ³
E-120-252-W	SS CASE PAR56 BULB UNDER WATER LIGHT	White	252	1400	18 W	12 V AC	1	1.1	0.006
E-120-252-WW		Warm white	252	1400	18 W	12 V AC	1	1.1	0.006
E-120-252-RGB		RGB	252	600	18 W	12 V AC	1	1.1	0.006
E-120-333-W		White	333	1800	24 W	12 V AC	1	1.1	0.006
E-120-333-WW		Warm white	333	1800	24 W	12 V AC	1	1.1	0.006
E-120-333-RGB		RGB	333	820	24 W	12 V AC	1	1.1	0.006
E-120-441-W		White	441	2200	35 W	12 V AC	1	1.1	0.006
E-120-441-WW		Warm white	441	2200	35 W	12 V AC	1	1.1	0.006
E-120-441-RGB		RGB	441	1022	35 W	12 V AC	1	1.1	0.006
RC-02	Controller and remote controller (220V AC INPUT-OUTPUT 220V 1000 WATT)								

05 UNDERWATER LED BULBS & REMOTE PAR 56 DC

- Completely in water proof 316 stainless steel lamp body shell.
- With stainless steel 316 heat diffusing ring.



AMPLIFIER - RC-04

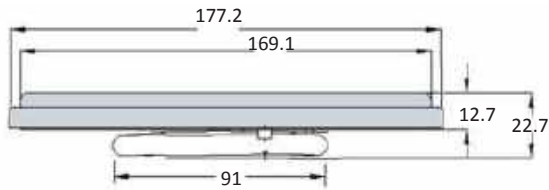


REMOTE CONTROLLER - RC-03

CODE	DESCRIPTION	COLOR	LED	LUMEN	WATTS	VOLTAGE	PACKING	WEIGHT	VOLUME
								kg	m ³
E-124-252-W	SS CASE PAR56 BULB UNDER WATER LIGHT	White	252	1400	18 W	12 V DC	1	1.1	0.006
E-124-252-WW		Warm white	252	1400	18 W	12 V DC	1	1.1	0.006
E-124-252-RGB		RGB	252	600	18 W	12 V DC	1	1.1	0.006
E-124-333-W		White	333	1800	24 W	12 V DC	1	1.1	0.006
E-124-333-WW		Warm white	333	1800	24 W	12 V DC	1	1.1	0.006
E-124-333-RGB		RGB	333	820	24 W	12 V DC	1	1.1	0.006
E-126-441-W		White	441	2200	35 W	12 V DC	1	1.1	0.006
E-126-441-WW		Warm white	441	2200	35 W	12 V DC	1	1.1	0.006
E-126-441-RGB		RGB	441	1022	35 W	12 V DC	1	1.1	0.006
RC-03		Controller and remote controller (220V DC INPUT-OUTPUT 11.66A 140 WATT)							
RC-04	AMPLIFIER 140 WATT								

06 RESIN UW LED BULB PAR56 AC

- Complete water proof light with special epoxy
- Acid- proof, alkali-proof and UV resistant in 60 C aging test, normal led pool light could work over ten weeks
- Easy to install, suitable for swimming pools, fountains.



CONTROLLER RC-03B

REMOTE RC-03B

CONTROLLER RC-01

REMOTE RC-01

CODE	DESCRIPTION	COLOR	LED	LUMEN	WATTS	VOLTAGE	PACKING	WEIGHT	VOLUME
								kg	m ³
E-129-252-W	RESIN PAR56 BULB UNDER WATER LIGHT	White	252	2100	21 W	12 V AC	1	1.1	0.006
E-129-252-WW		Warm white	252	2100	21 W	12 V AC	1	1.1	0.006
E-129-252-RGB		RGB	252	900	18 W	12 V AC	1	1.1	0.006
E-129-531-W		White	531	3600	36 W	12 V AC	1	1.1	0.006
E-129-531-WW		Warm white	531	3600	36 W	12 V AC	1	1.1	0.006
E-129-531-RGB		RGB	531	1650	33 W	12 V AC	1	1.1	0.006
E-129-423-W		White	423	6000	60 W	12 V AC	1	1.1	0.006
E-129-423-WW		Warm white	423	6000	60 W	12 V AC	1	1.1	0.006
E-129-423-RGB		RGB	423	2750	55 W	12 V AC	1	1.1	0.006
E-129-630-W		White	630	3900	45 W	12 V AC	1	1.1	0.006
E-129-630-WW		Warm white	630	3900	45 W	12 V AC	1	1.1	0.006
E-129-630-RGB		RGB	630	1800	40 W	12 V AC	1	1.1	0.006
RC-01	Controller and remote controller (12V AC INPUT - OUTPUT 30A 360WATT)								
RC-03B	Controller and remote controller (220-240V AC INPUT - OUTPUT 220-240V AC)								

07 RESIN UW LED BULB PAR 56 DC

- Made of High quality abs
- Lower power consumption, high stability
- Voltage: 12V AC
- Life-span: Above 50, 000 hours.



AMPLIFIER - RC-04



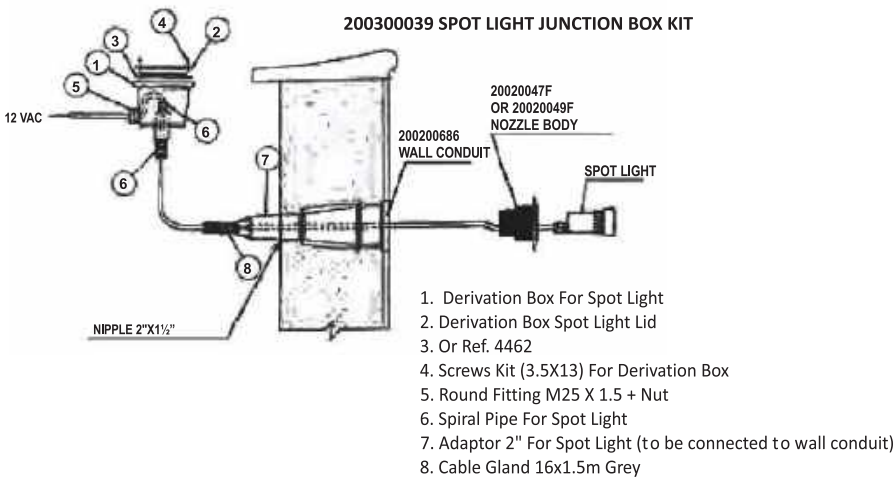
REMOTE CONTROLLER - RC-03



CODE	DESCRIPTION	COLOR	LED	LUMEN	WATTS	VOLTAGE	PACKING	WEIGHT	VOLUME
								kg	m ³
E-127-252-W	RESIN PAR56 BULB UNDER WATER LIGHT	White	252	1300	18 W	12 V DC	1	1.1	0.006
E-127-252-WW		Warm white	252	1437	18 W	12 V DC	1	1.1	0.006
E-127-252-RGB		RGB	252	515	18 W	12 V DC	1	1.1	0.006
E-127-531-W		White	531	1929	35 W	12 V DC	1	1.1	0.006
E-127-531-WW		Warm white	531	2212	35 W	12 V DC	1	1.1	0.006
E-127-531-RGB		RGB	531	1181	35 W	12 V DC	1	1.1	0.006
E-127-630-W		White	630	2049	42 W	12 V DC	1	1.1	0.006
E-127-630-WW		Warm white	630	2332	42 W	12 V DC	1	1.1	0.006
E-127-630-RGB		RGB	630	1331	42 W	12 V DC	1	1.1	0.006
RC-03		Controller and remote controller (220V DC INPUT- OUTPUT 11.66A 140 WATT)							
RC-04	AMPLIFIER 140 WATT								

08 AQUA LED SPOT LIGHT

- For public and private pools with structures in panels and concrete
- Skimmer technology
- Overflow edge technology
- Particularly suitable for public structures and hospitality facilities
- Protection degree IP68
- Supplied with 3m cable



CODE	DESCRIPTION	SPOT	LUMEN	PACKING	WEIGHT	VOLUME
					kg	m ³
200300036	ABS spot light LED white	10W - 12V AC	600	1	0.5	0.02
200300037	ABS spot light LED RGB	10W - 12V AC	350	1	0.5	0.02
200300036C	ABS spot light LED WARM White	10W - 12V AC	600	1	0.5	0.02
200300030	Remote control & Receiver for multicolor LED Maximum 300 WATT			1	0.5	0.002
200200686	Wall conduit 25cm			1	0.2	0.004
100200446	Socket 2" *1/2"			1	0.2	0.004
200300039	Spot light junction box kit			1		
SSRIM05	Stainless steel AISI316L V4A rim			1	0.3	0.01

09 ABS “ MINI DICHRO ” UNDERWATER LIGHT

- U/W lights for Polyester/Liner pool or spa, made of UV resistant white ABS.
- Easily disassembled, using the outer side of the frame as a key when the lamp needs replacement.
- IP 68 protection rate.



E-112



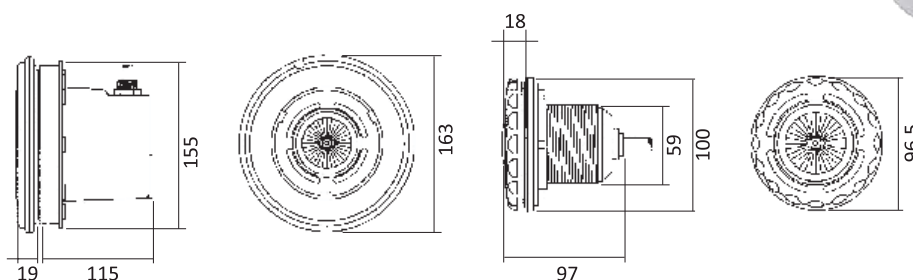
SSRIM02



E-113



SSRIM01



CODE	DESCRIPTION	SPOT	LUMEN	PACKING	WEIGHT	VOLUME
					kg	m ³
E-112	U/W Halogen Light with niche & cable	50W - 12V AC	600	1	5.5	0.022
E-112-L	UWL Halogen Light with niche & cable for Liner	50W - 12V AC	600	1	5.5	0.022
SSRIM02	Stainless steel AISI 316L V4A Rim		600			
E-113	U/W Halogen Light threaded type with cable	50W - 12V AC	600	1	3	0.010
E-113-L	U/W Halogen Light threaded type with cable for Liner	50W - 12V AC	600	1	3	0.010
SSRIM01	Stainless steel AISI 316L V4A Rim			1	0.3	0.01

LEONARDO SPOT LAMP

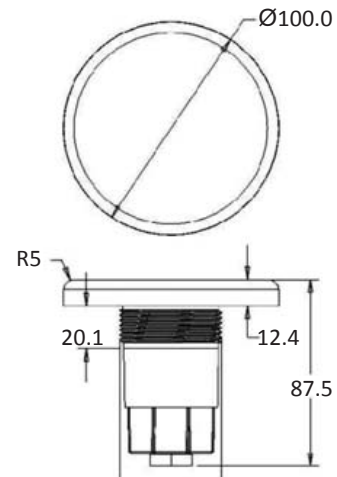
- Compatible with swimming pool light 50W.
- Impulse color change through on-off switch.
- Available in 2 version.
 - Leonardo color: 8 color programs, consumption 5W, beam aperture 120°.
 - Leonardo white: white light, consumption 6W, beam aperture 120°.



CODE	DESCRIPTION	SPOT	LUMEN	PACKING	WEIGHT	VOLUME
					kg	m ³
F0037B09	Leonardo spot lamp MR16 LED - Multi color	5W - 12V AC	250	1		
F0058A08	Leonardo spot lamp MR16 LED - White	5W - 12V AC	250	1		
F0059A08	Leonardo spot lamp MR16 LED - Warm white	5W - 12V AC	250	1		
RC02	Controller & remote controller (220V AC INPUT-OUTPUT 220V 1000 WATT)					

10 MINI RESIN SPOT LIGHT AC

- Made of super bright LED with high quality
- Acid-proof, alkali-proof and UV resistant
- The lamp is filled with epoxy inside, which makes it 100% waterproof
- Low power consumption, high stability.
- Supports 16 different kinds of color changing programs.
- Easy to install, suitable for swimming pools, fountains, etc.



**CONTROLLER
RC-03B**



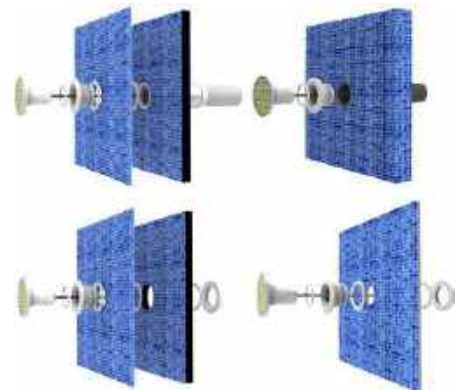
**REMOTE
RC-03B**



**CONTROLLER
RC-01**



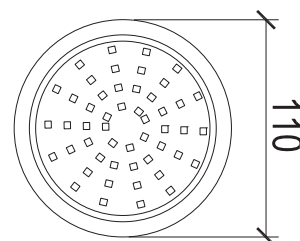
**REMOTE
RC-01**



CODE	DESCRIPTION	COLOR	LED	LUMEN	WATT	VOLTAGE	PACKING	WEIGHT	VOLUME
								kg	m ³
E-300-W	MINI RESIN POT LIGHT	White	700	99	7W	12 V AC	1	0.805	0.061
E-300-WW		Warm white	700	99	7W	12 V AC	1	0.805	0.061
E-300-RGB		RGB	300	99	6W	12 V AC	1	0.805	0.061
RC-01	Controller and remote controller (12V AC INPUT - OUTPUT 30A 360WATT)								
RC-03B	Controller and remote controller (220-240V AC INPUT - OUTPUT 220-240V AC)								

11 MINI RESIN SPOT LIGHT DC

- U/W light made of high quality poly carbonate
- Size: Ø110 x 88 mm
- IP Rate: 68



AMPLIFIER



REMOTE CONTROLLER

CODE	DESCRIPTION	COLOR	LED	LUMEN	WATT	VOLTAGE	PACKING	WEIGHT	VOLUME
								kg	m ³
E-305-W	MINI RESIN POT LIGHT	White	153	1130	15 W	12 V DC	1		
E-305-WW		Warm white	153	1150	15 W	12 V DC	1		
E-305-RGB		RGB	153	580	15 W	12 V DC	1		
RC-03	Controller and remote controller (220V DC INPUT-OUTPUT 11.66A 140 WATT)								
RC-04	AMPLIFIER 140WATT								

12 UNDER WATER FLAT LIGHT

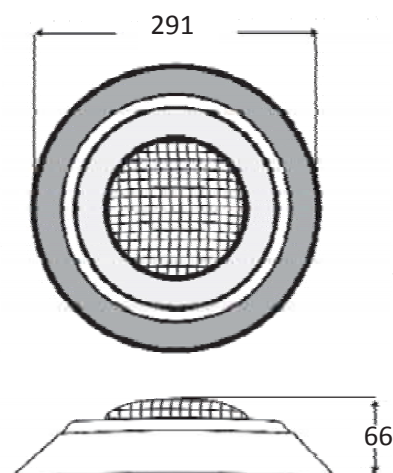
- Made of special ABS resistant to UV rays
- Fixing to the wall using anchors & screws to a reinforced cross
- Fixing to inlet of 1,5" version available
- Resined body from the back side, possibility of changing of the electronic board
- Supplied with a watertight wall gland adaptor
- Durable, reliable and secure, economic & easy to install
- Supplied with 2,5mt underwater cable



CODE	DESCRIPTION	SPOT	PACKING	WEIGHT	VOLUME
				kg	m ³
E-108	ABS Underwater light "FLAT" Light	100WATT-12V	1	1.2	0.063
SSRM07	Stainless steel AISI 316L V4A rim		1	0.6	0.01

13 ABS WALL MOUNTED FLAT LIGHT

- Made of high quality ABS
- Wall mounted pool light for concrete pools
- Halogen bulb 100W-12V
- 2,5m underwater cable HO7RN-F 2x1,5
- 1m of flexible conduit hose
- Tempered protection glass
- Protection rate: IP-68
- Easy to install
- Easy service
- UV protection
- Underwater operation only
- Optional: Variety of protection-colored-glass (yellow, orange, red, green and blue) Different cable length



CODE	DESCRIPTION	SPOT	PACKING	WEIGHT	VOLUME
				kg	m ³
WLP-100	ABS Underwater Halogen light	100WATT-12V	6	1.06	0.07
SSRI08	Stainless steel AISI 316L V4A rim				

14 ABS LED FLAT LIGHT

- Made of super bright LED with high quality
- Acid-proof, alkali-proof and UV resistant
- The lamp is filled with epoxy inside which makes it 100% waterproof
- Unique technique of resin filling, with waterproof level IP68
- Constant color and brightness with protection of over electricity and electric surge
- Low power consumption, high stability
- Easy to install, suitable for concrete or liner structure (Installation kit not included)
- Possible to install for PAR56 light housing with additional supports
- Cable length 4m H07RN-F 2x1.0 2mm
- Controller that supports 16 different kinds of color changing programs, you can switch the lamp to next show by powering off and powering on via the remote control to get an exciting color shows, florid and attractive



SIDE

BACK

CONTROLLER RC-03B

REMOTE RC-03B

CONTROLLER RC-01

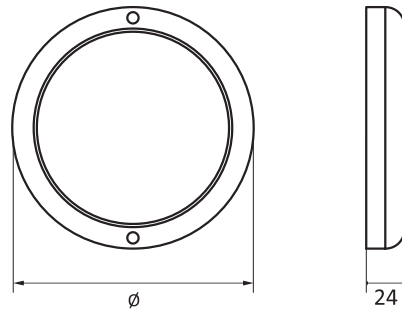
REMOTE RC-01



CODE	DESCRIPTION	LUMEN	COLOR	LED	WATT	Ø	PACKING	WEIGHT	VOLUME	
						mm		kg	m ³	
E-108-252-RGB	Resined waterproof ABS underwater flat light 12V - AC	1350	RGB	252	18	230	1	1.73	0.061	
E-108-252-W		2100	White	252	21	230	1	1.73	0.061	
E-108-252-WW		2100	Warm white	252	21	230	1	1.73	0.061	
E-108-531-RGB		1650	RGB	531	33	230	1	1.73	0.061	
E-108-531-W		3600	White	531	36	230	1	1.73	0.061	
E-108-531-WW		3600	Warm white	531	36	230	1	1.73	0.061	
E-108-423-RGB		2750	RGB	423	55	230	1	1.73	0.061	
E-108-423-W		6000	White	423	60	230	1	1.73	0.061	
E-108-423-WW		6000	Warm white	423	60	230	1	1.73	0.061	
E-108-630-RGB		1800	RGB	630	40	230	1	1.73	0.061	
E-108-630-W		3900	White	630	45	230	1	1.73	0.061	
E-108-630-WW		3900	Warm white	630	45	230	1	1.73	0.061	
RC-01		Controller and remote controller (12V AC INPUT - OUTPUT 30A 360WATT)								
RC-03B		Controller and remote controller (220-240V AC INPUT - OUTPUT 220-240V AC)								
E-108KIT	Kit for liner Pools									

15 ABS LED FLAT LIGHT

- Made of super bright LED with high quality
- Acid-proof, alkali-proof and UV resistant
- The lamp is filled with epoxy inside which makes it 100% waterproof
- Unique technique of resin filling, with waterproof level IP68
- Constant color and brightness with protection of over electricity and electric surge
- Low power consumption, high stability
- Easy to install, suitable for concrete or liner structure (Installation kit not included)
- Cable length 4m H07RN-F 2x1.0 2mm



CONTROLLER RC-03B



REMOTE RC-03B



CONTROLLER RC-01



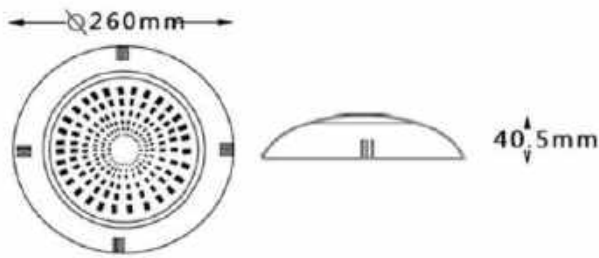
REMOTE RC-01



CODE	DESCRIPTION	LUMEN	COLOR	LED	WATT	Ø	PACKING	WEIGHT	VOLUME
						mm		kg	m ³
E-107-252-W	Resined water proof ABS under water flat light 12V AC	2100	White	252	21	152	1	0.87	0.045
E-107-252-WW		2100	Warm white	252	21	152	1	0.87	0.045
E-107-252-RGB		1350	RGB	252	18	152	1	0.87	0.045
RC-01	Controller and remote controller (12V AC INPUT - OUTPUT 30A 360WATT)								
RC-03B	Controller and remote controller (220-240V AC INPUT - OUTPUT 220-240V AC)								
E-107KIT	Kit for liner Pools								

16 BIG ABS LED RESIN FLAT LIGHT DC

- Warranty: 2 years
- IP Grade: IP 68
- Size: 260 X 40.5mm
- Certification: CE & ROHS



AMPLIFIER
RC-04

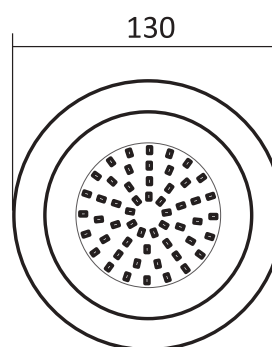


REMOTE CONTROLLER
RC-03

CODE	DESCRIPTION	LUMEN	COLOR	LED	WATT	Ø	PACKING	WEIGHT	VOLUME
						mm		kg	m ³
E-131-252-RGB	Resined waterproof ABS underwater flat light 12V - DC	900	RGB	252	18	260	1		0.066
E-131-252-W		2100	White	252	18	260	1		0.066
E-131-252-WW		2100	Warm white	252	18	260	1		0.066
E-131-441-RGB		1650	RGB	441	35	260	1		0.066
E-131-441-W		3600	White	441	35	260	1		0.066
E-131-441-WW		3600	Warm white	441	35	260	1		0.066
E-131-630-RGB		2750	RGB	630	42	260	1		0.066
E-131-630-W		6000	White	630	42	260	1		0.066
E-131-630-WW		6000	Warm white	630	42	260	1		0.066
E-131KIT	INSTALLATION KIT FOR E-131 LED FOR LINER POOL								
RC-03	CONTROLLER AND REMOTE CONTROLLER (12V DC INPUT -OUT PUT 11.66A 140 WATT)								
RC-04	AMPLIFIER 140 WATT								

17 SMALL ABS LED RESIN FLAT LIGHT DC

- Warranty: 2 years
- IP Grade: Ip68
- Size: 130 x 15mm



**AMPLIFIER
RC-04**

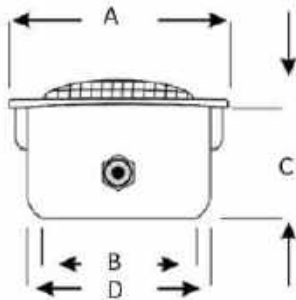


**REMOTE CONTROLLER
RC-03**

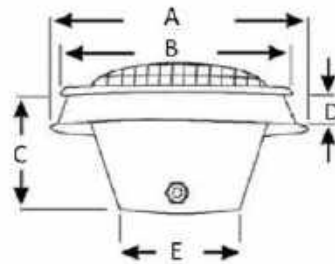
CODE	DESCRIPTION	LUMEN	COLOR	LED	WATT	Ø	PACKING	WEIGHT	VOLUME
						mm		kg	m ³
E-132-108-RGB	Resined waterproof ABS underwater flat light 12V - DC		RGB	108	10	130	1		
E-132-108-W			White	108	10	130			
E-132-108-WW			Warm white	108	10	130			
E-132KIT	INSTALLATION KIT FOR E-132 LED FOR LINER POOL								
RC-03	CONTROLLER AND REMOTE CONTROLLER (12V DC INPUT -OUT PUT 11.66A 140 WATT)								
RC-04	AMPLIFIER 140 WATT								

18 STAINLESS STEEL LARGE U/W LIGHT WITH NICHE

- Made completely of AISI-316 stainless steel
- With round or conical shaped niche
- Include 300w,12V DC bulb,2.5m HO7RN-F 2 X 4 cable
- Corrosion proof
- Chemical resistance
- RE-bulbing without lowering the water level
- Protection IP68.



E-134 /E-134-L



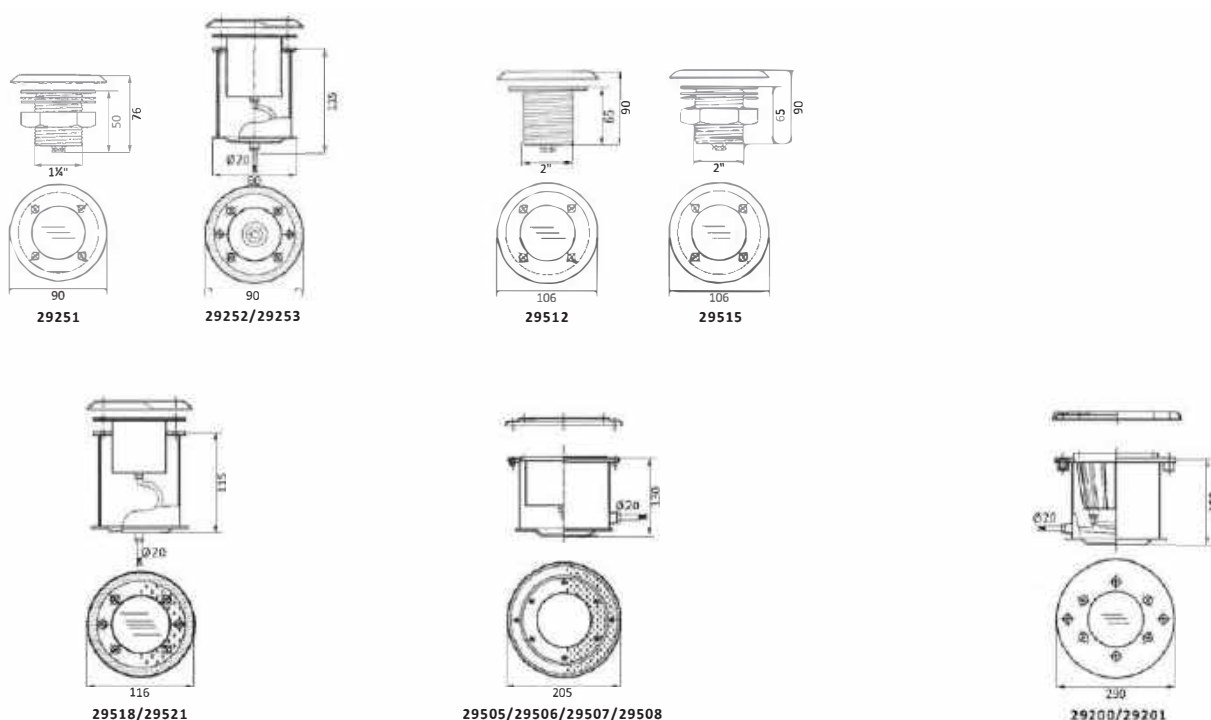
E-133 /E-133-L

STRUCTURE	CODE	NICHE TYPE	DIMENSIONS					PACKING	WEIGHT kg	VOLUME m ³
			A	B	C	D	E			
Concrete	E-133	Conical s.steel	325	300	140	45	152	1	3.30	0.02
	E-134	Round s.steel	300	200	120	222	-	1	3.25	0.02
Liner	E-133-L	Conical s.steel	325	300	140	45	152	1	3.30	0.02
	E-134-L	Round s.steel	300	200	120	222	-	1	3.25	0.02

19 STAINLESS STEEL ROUND HALOGEN LIGHTS



- Made from Stainless Steel AISI-316L V4A for durable use.
- With 3m cable.
- Protection IP68.

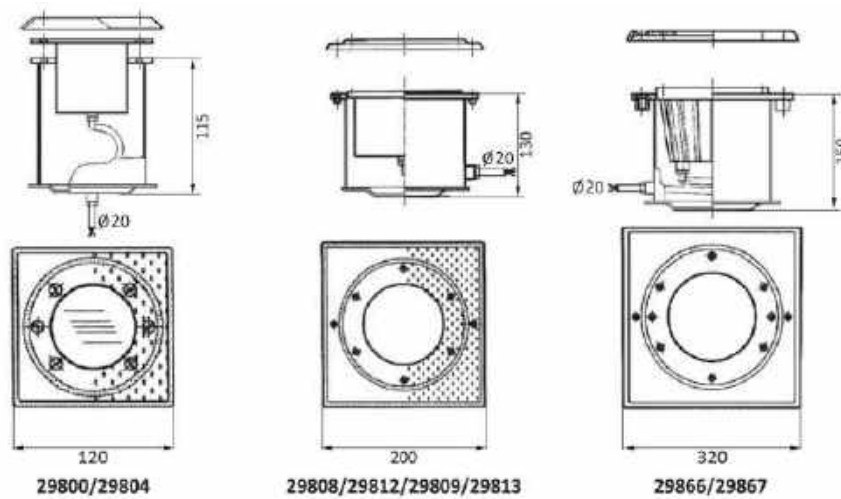


CODE	DESCRIPTION	WATT	LUMEN	PACKING	WEIGHT	VOLUME
		12V - AC			kg	m ³
29251	S.S. Mini light “Mignon” threaded and ferrule 1¼”	20	400	1		
29252	S.S. Mini light “Mignon” with recess for concrete	20	400	1		
29253	S.S. Mini light “Mignon” with recess for liner	20	400	1		
29515	S.S. Mini light threaded and ferrule 2”	50	1000	1		
29518	S.S. Mini Halogen light with recess for concrete	50	1000	1		
29521	S.S. Mini Halogen light with recess for liner	50	1000	1		
29505	S.S. Medium Halogen light with recess for concrete	100	2000	1		
29507	S.S. Medium Halogen light with recess for liner	100	2000	1		
29506	S.S. Medium Halogen light with recess for concrete	150	3000	1		
29508	S.S. Medium Halogen light with recess for liner	150	3000	1		
29200	S.S. Standard Halogen light with recess for concrete	300	6000	1		
29201	S.S. Standard Halogen light with recess for liner	300	6000	1		

20 STAINLESS STEEL SQUARE HALOGEN LIGHTS



- Made from Stainless Steel AISI-316L V4A for durable use.
- With recess and 3m cable.
- Protection |P68.

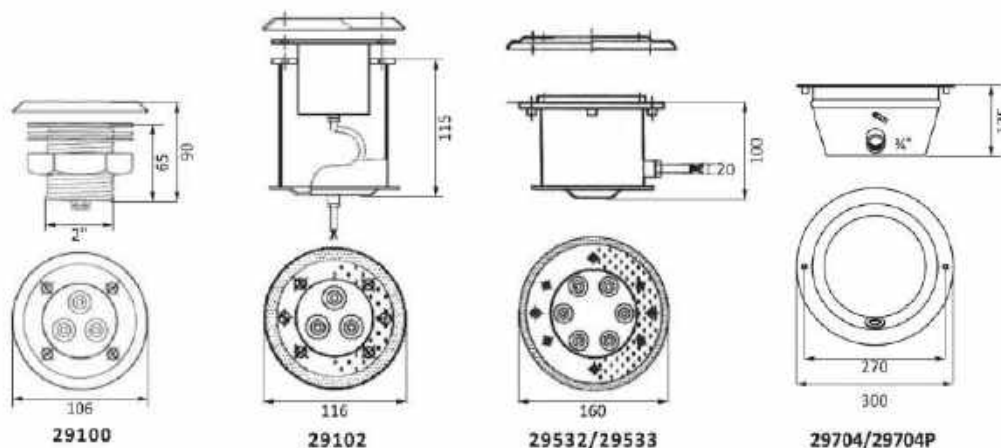


CODE	DESCRIPTION	WATT	LUMEN	PACKING	WEIGHT	VOLUME
		12V - AC			kg	m ³
29800	S.S. Mini Halogen light with recess for concrete	50	1000	1		
29804	S.S. Mini Halogen light with recess for liner	50	1000	1		
29808	S.S. Medium Halogen light with recess for concrete	100	2000	1		
29812	S.S. Medium Halogen light with recess for liner	100	2000	1		
29809	S.S. Medium Halogen light with recess for concrete	150	3000	1		
29813	S.S. Medium Halogen light with recess for liner	150	3000	1		
29866	S.S. Standard Halogen light with recess for concrete	300	6000	1		
29867	S.S. Standard Halogen light with recess for liner	300	6000	1		

21 STAINLESS STEEL ROUND LED LIGHTS, WHITE AND WARM WHITE COLOR



- Made from Stainless Steel AISI-316L V4A for durable use.
- With 3m cable.
- Protection IP68.

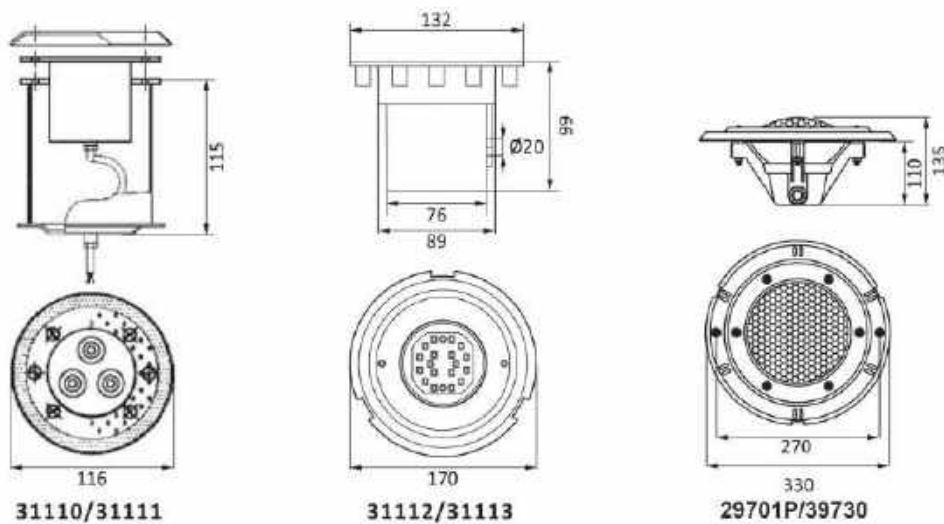


CODE		DESCRIPTION	WATT	LUMEN	PACKING	WEIGHT	VOLUME
			12V - AC			kg	m ³
29100	29100 WW	S.S. Mini light 3 LED threaded and ferrule 2"	3	480	1		
29102	29102 WW	S.S. Mini light 3 LED with steel recess for concrete	3	480	1		
29103	29103 WW	S.S. Mini light 3 LED with S S recess for liner	3	480	1		
29532	29532 WW	S.S. Medium 18 LED light with steel recess for concrete	10	550	1		
29533	29533 WW	S.S. Medium 18 LED light with ABS recess for liner	10	550	1		
29704	29704 WW	S.S Light 61 LED PAR 56 for concrete	35	2520	1		
29704P	29704P WW	S.S Light 61 LED PAR 56 for liner	35	2520	1		

22 STAINLESS STEEL ROUND LED LIGHTS - RGB COLOR CHANGE



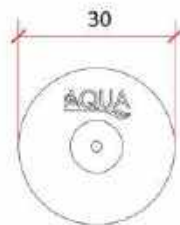
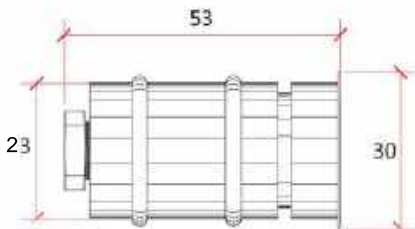
- Made from Stainless Steel AISI-316L V4A for durable use.
- With recess and 3m cable.
- Protection |P68.



CODE	DESCRIPTION	WATT	LUMEN	PACKING	WEIGHT	VOLUME
		12V - AC			kg	m ³
31110	S.S. light 3 LED RGB with steel recess for concrete	3	60	1		
31111	S.S. light 3 LED RGB with steel recess for liner	3	60	1		
31112	S.S. light 18 LED RGB with steel recess for concrete	10	350	1		
31113	S.S. light 18 LED RGB with steel recess for liner	10	350	1		
29701	S.S. Super light 60 LED with ABS recess for concrete	21	900	1		
29701P	S.S. light 21 LED RGB PAR 56 with ABS recess for liner	25	900	1		
29720	RGB Color Change Remote Control + Receiver + receiving for 5 Nos of LED light			1		

23 STAINLESS STEEL MINI SPOT ROUND LIGHT

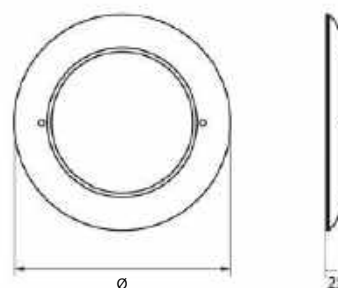
- Made from Stainless Steel AISI-316L V4A for durable use.
- With 3m cable.
- Protection IP68.



CODE	DESCRIPTION	WATT	LUMEN	PACKING	WEIGHT	VOLUME
		12V - AC			kg	m ³
29970	Flat light 1 led white color for concrete	1	130	1	0.30	0.0005

24 STAINLESS STEEL LED FLAT LIGHT

- Made of super bright LED with high quality
- Acid-proof, alkali-proof and UV resistant
- The lamp is filled with epoxy inside which makes it 100% waterproof
- Unique technique of resin filling, with waterproof level IP68
- Constant color and brightness with protection of over electricity and electric surge
- Low power consumption, high stability
- Easy to install, suitable for concrete or liner structure (Installation kit not included)
- Possible to install for PAR56 light housing with additional supports
- Cable length 4m H07RN-F 2x1.0 2mm



CONTROLLER RC-03B



REMOTE RC-03B



CONTROLLER RC-01



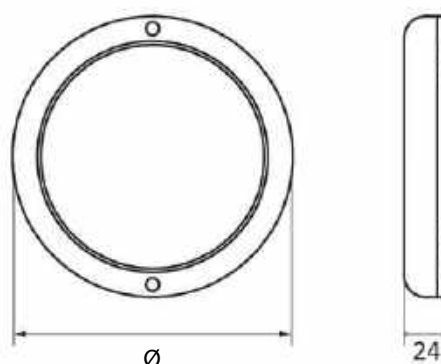
REMOTE RC-01

CODE	DESCRIPTION	LUMEN	COLOR	LED	WATT 12 VAC	Ø	PACKING	WEIGHT	VOLUME
						mm		kg	m ³
E-108SS-252-RGB	Stainless steel led flat light	1350	RGB	252	18	260	1	2	0.068
E-108SS-252-W		2100	White	252	21	260	1	2	0.068
E-108SS-252-WW		2100	Warm white	252	21	260	1	2	0.068
E-108SS-531-RGB		1650	RGB	531	33	260	1	2	0.068
E-108SS-531-W		3600	White	531	36	260	1	2	0.068
E-108SS-531-WW		3600	Warm white	531	36	260	1	2	0.068
E-108SS-423-RGB		2750	RGB	423	55	260	1	2	0.068
E-108SS-423-W		6000	White	423	60	260	1	2	0.068
E-108SS-423-WW		6000	Warm white	423	60	260	1	2	0.068
E-108SS-630-RGB		1800	RGB	630	40	260	1	2	0.068
E-108SS-630-W	3900	White	630	45	260	1	2	0.068	
E-108SS-630-WW	3900	Warm white	630	45	260	1	2	0.068	
RC-01	Controller and remote controller (12V AC INPUT - OUTPUT 30A 360WATT)								
RC-03B	Controller and remote controller (220-240V AC INPUT - OUTPUT 220-240V AC)								
E-108KIT	Kit for liner Pools								

25 STAINLESS STEEL LED FLAT LIGHT



- Made of super bright LED with high quality
- Acid-proof, alkali-proof and UV resistant
- The lamp is filled with epoxy inside which makes it 100% waterproof
- Unique technique of resin filling, with waterproof level IP68
- Constant color and brightness with protection of over electricity and electric surge
- Low power consumption, high stability
- Easy to install, suitable for concrete or liner structure (Installation kit not included)
- Cable length 4m H07RN-F 2x1.0 2mm



CONTROLLER RC-03B



REMOTE RC-03B



CONTROLLER RC-01



REMOTE RC-01

CODE	DESCRIPTION	LUMEN	COLOR	LED	WATT 12 VAC	Ø	PACKING	WEIGHT	VOLUME
						mm		kg	m ³
E-107SS-252-W	Stainless steel led flat light	2100	White	252	21	152	1	0.96	0.045
E-107SS-252-WW		2100	Warm white	252	21	152	1	0.96	0.045
E-107SS-252-RGB		1350	RGB	252	18	152	1	0.96	0.045
RC-01	Controller and remote controller (12V AC INPUT - OUTPUT 30A 360WATT)								
RC-03B	Controller and remote controller (220-240V AC INPUT - OUTPUT 220-240V AC)								
E-107KIT	Kit for liner Pools								

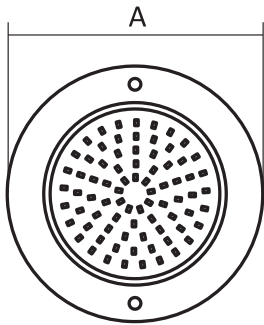
26 STAINLESS STEEL ULTRA FLAT LED RESIN LIGHT DC

- Made of stainless steel AISI-316+ PC
- Ultrathin-8mm thickness
- Energy saving, Eco-friendly, little heat while working, long life, safe in use
- Protection: IP68



**AMPLIFIER
RC-04**

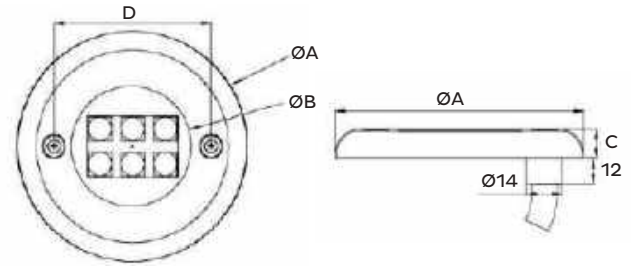
**REMOTE CONTROLLER
RC-03**



CODE	DESCRIPTION	DIAMETER	LED	LUMEN	SPOT	PACKING	WEIGHT	VOLUME
		mm					A	kg
E-301-63W	Resin UW light white color	110	63	364	6W-12V DC	1	0.38	0.01372
E-301-63WW	Resin UW light warm white color	110	63	380	6W-12V DC	1	0.38	0.01372
E-301-63RGB	Resin UW light RGB color	110	63	171	6W-12V DC	1	0.38	0.01372
E-301-108W	Resin UW light white color	160	108	561	10W-12V DC	1	0.72	0.02527
E-301-108WW	Resin UW light warm white color	160	108	581	10W-12V DC	1	0.72	0.02527
E-301-108RGB	Resin UW light RGB color	160	108	290	10W-12V DC	1	0.72	0.02527
E-301-252W	Resin UW light white color	230	252	1235	18W-12V DC	1	1.15	0.04732
E-301-252WW	Resin UW light warm white color	230	252	1250	18W-12V DC	1	1.15	0.04732
E-301-252RGB	Resin UW light RGB color	230	252	613	18W-12V DC	1	1.15	0.04732
E-301-333W	Resin UW light white color	230	333	1587	24W-12V DC	1	1.2	0.04732
E-301-333WW	Resin UW light warm white color	230	333	1600	24W-12V DC	1	1.2	0.04732
E-301-333RGB	Resin UW light RGB color	230	333	880	24W-12V DC	1	1.2	0.04732
E-301-441W	Resin UW light white color	230	441	2018	35W-12V DC	1	1.2	0.04732
E-301-441WW	Resin UW light warm white color	230	441	2043	35W-12V DC	1	1.2	0.04732
E-301-441RGB	Resin UW light RGB color	230	441	1013	35W-12V DC	1	1.2	0.04732
E-302-252W	Resin UW light white color	280	252	1235	18W-12V DC	1	1.6	0.06727
E-302-252WW	Resin UW light warm white color	280	252	1250	18W-12V DC	1	1.6	0.06727
E-302-252RGB	Resin UW light RGB color	280	252	613	18W-12V DC	1	1.6	0.06727
E-302-333W	Resin UW light white color	280	333	1587	24W-12V DC	1	1.6	0.06727
E-302-333WW	Resin UW light warm white color	280	333	1600	24W-12V DC	1	1.6	0.06727
E-302-333RGB	Resin UW light RGB color	280	333	880	24W-12V DC	1	1.6	0.06727
E-302-441W	Resin UW light white color	280	441	2018	35W-12V DC	1	1.6	0.06727
E-302-441WW	Resin UW light warm white color	280	441	2043	35W-12V DC	1	1.6	0.06727
E-302-441RGB	Resin UW light RGB color	280	441	1013	35W-12V DC	1	1.6	0.06727
RC-03	Controller and remote controller (220V DC INPUT-OUTPUT 11.66A 140 WATT)							
RC-04	AMPLIFIER 140WATT							

27 ULTRA THING RESIN FILLED WALL MOUNT LED

- Material: 316 / 304 stainless steel
- Wire VDE Certification
- Working Temperature -20 C ~ 40 C



RED



GREEN



BLUE



WHITE



WARM WHITE



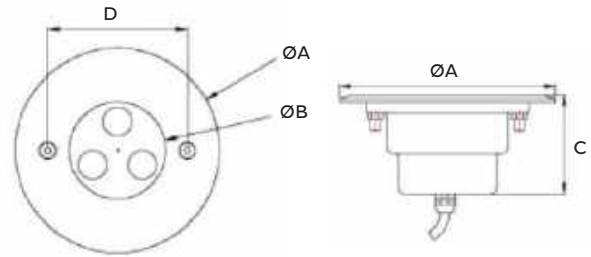
RC-10



RC-11

CODE	DESCRIPTION	LUMEN	WATT	VOLTAGE	COLOR	BEAM ANGLE	DIMENSIONS MM				PACKING	WEIGHT	VOLUME
							A	B	C	D		kg	m ³
AQ-050-W	ULTRA THING RESIN FILLED WALL MOUNT LED	1441	18	12VAC	W	120°	100	48	12	67	1		
AQ-050-WW		1075	18	12VAC	WW	120°	100	48	12	67	1		
AQ-050-RGB		704	18	12VAC	RGB	120°	100	48	12	67	1		
AQ-051-W		1607	25	12VAC	W	120°	150	74	18	104	1		
AQ-051-WW		1475	25	12VAC	WW	120°	150	74	18	104	1		
AQ-051-RGB		813	25	12VAC	RGB	120°	150	74	18	104	1		
AQ-052-W		2204	35	12VAC	W	120°	180	94	18	126	1		
AQ-052-WW		2041	35	12VAC	WW	120°	180	94	18	126	1		
AQ-052-RGB		1080	35	12VAC	RGB	120°	180	94	18	126	1		
RC-10	REMOTE CONTROL												
RC-11	CONTROLLER												

28 RECESSED LED POOL LIGHT



AQ-027S-W-WW-RGB



AQ-028S-W-WW-RGB



AQ-029S-W-WW-RGB



RED



GREEN



BLUE



WHITE



WARM WHITE



RC-10



RC-11

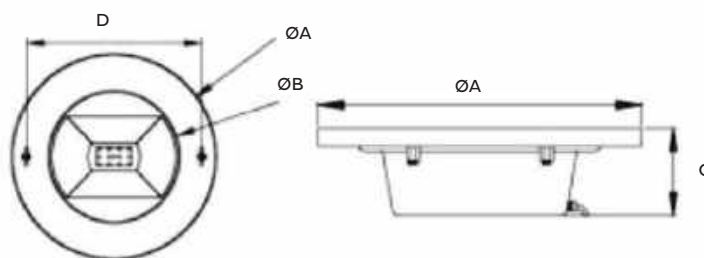
CODE	DESCRIPTION	LUMEN	WATT	VOLTAGE	COLOR	BEAM ANGLE	DIMENSIONS MM				PACKING	WEIGHT	VOLUME
							A	B	C	D		kg	m ³
AQ-027S-W	RECESSED LED POOL LIGHT	456	5	12VAC	W	120°	110	52	58	72.5	1		
AQ-027S-WW		377	5	12VAC	WW	120°	110	52	58	72.5	1		
AQ-027S-RGB		298	5	12VAC	RGB	120°	110	52	58	72.5	1		
AQ-028S-W		1004	10	12VAC	W	120°	160	96	62	120	1		
AQ-028S-WW		720	10	12VAC	WW	120°	160	96	62	120	1		
AQ-028S-RGB		338	10	12VAC	RGB	120°	160	96	62	120	1		
AQ-029S-W		1405	15	12VAC	W	120°	190	122	66	148	1		
AQ-029S-WW		1108	15	12VAC	WW	120°	190	122	66	148	1		
AQ-029S-RGB		381	15	12VAC	RGB	120°	190	122	66	148	1		
RC-10	REMOTE CONTROL												
RC-11	CONTROLLER												

29 RECESSED LED POOL LIGHT WITH ALUMINIUM ANODIZED REFLECTOR



AQ-006K/AQ-007K

- Material: 316 / 304 stainless steel
- Wire VDE Certification
- IP : 68
- Working Temperature:
 - AQ-006K-W: 1 -20 C ~ 48 C
 - AQ-007K-W: 1 -20 C ~ 42 C



RED



GREEN



BLUE



WHITE



WARM WHITE



RC-10



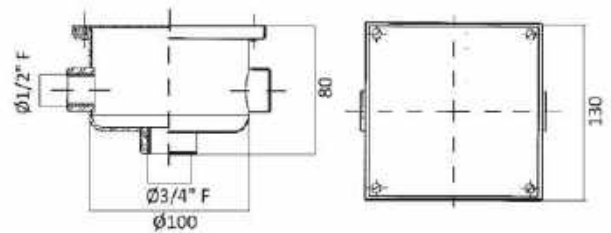
RC-11

CODE	DESCRIPTION	LUMEN	WATT	VOLTAGE	COLOR	BEAM ANGLE	DIMENSIONS MM				PACKING	WEIGHT kg	VOLUME m ³
							A	B	C	D			
AQ-006K-W	RECESSED LED POOL LIGHT WITH ALUMINIUM ANODIZED REFLECTOR	2258	35	12VAC	W	60°	195	105	56	157	1		
AQ-006K-WW		1702	35	12VAC	WW	60°	195	105	56	157	1		
AQ-006K-RGB		441	18	12VAC	RGB	60°	195	105	56	157	1		
AQ-007K-W		3209	50	12VAC	W	60°	270	168	64	232	1		
AQ-007K-WW		2413	50	12VAC	WW	60°	270	168	64	232	1		
AQ-007K-RGB		671	35	12VAC	RGB	60°	270	168	64	232	1		
RC-10	REMOTE CONTROL												
RC-11	CONTROLLER												

30 CONNECTION BOX

STAINLESS STEEL CONNECTION BOX

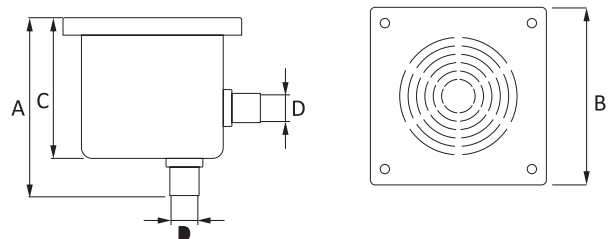
- Made of AISI-316 stainless-steel.
- For connections between lights.
- Fully leakproof with O-ring for cover and gland seals for outlets.
- IP 65 Protection rate.



CODE	PACKING	WEIGHT	VOLUME
		kg	m ³
E-244	1		

AQUA ABS CONNECTION BOX

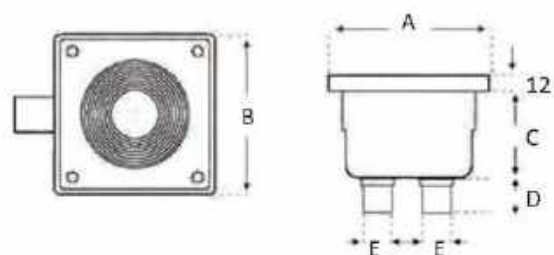
- For connections between lights.
- Constructed of white, UVA-resistant ABS plastic.
- Fully leakproof with O-ring for cover and gland seals for outlets.
- IP 65 Protection rate.



CODE	DIMENSIONS				PACK-ING	WEIGHT	VOLUME
	A	B	C	D		kg	m ³
200300009	13.5	13.5	10.5	M25	40	15	0.1

ABS CONNECTION BOX

- For connections between lights.
- Constructed of white, UVA-resistant ABS plastic.
- Fully leakproof with O-ring Incorporated on the lid and two cable connectors
- IP 65 Protection rate.



CODE	DIMENSIONS					PACK-ING	WEIGHT	VOLUME
	A	B	C	D	E		kg	m ³
E-242	120	120	48	32	25.4	1		

31 FLEXIBLE CONNECTION CABLE



CODE	DESCRIPTION	PACKING	WEIGHT	VOLUME
			kg	m ³
200300010	Connection cable 2m 20mm with 2 threaded end socket 3/4" M25	1		

32 INSULATING GEL IP68

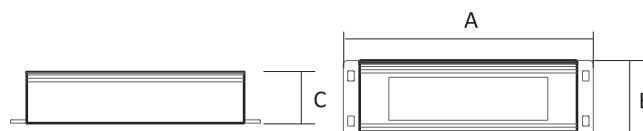
- The isolant gel IP68 is the fluid, simple to use, precise product of high quality.
- Put down "A component" into the "B component", mix them for 15 seconds and apply the ready gel on the cable paying particular attention to the position of it. The time limit for this operation is approximately 1 minute at the room temperature. It takes approximately 5 minutes to make the gel become vcompletely hard.



CODE	DESCRIPTION	PACKING	WEIGHT	VOLUME
			kg	m ³
200300000R	Insulating gel IP68	1		

33 DC TRANSFORMER

- IP66 transformer with cables for fast wiring
- Its high quality guarantees its very long life under heavy duty conditions.
- Input 100-265V(AC), Output 12V(DC)-50/60 Hz
- Manufactured under European norms, RoHS & CE certified.

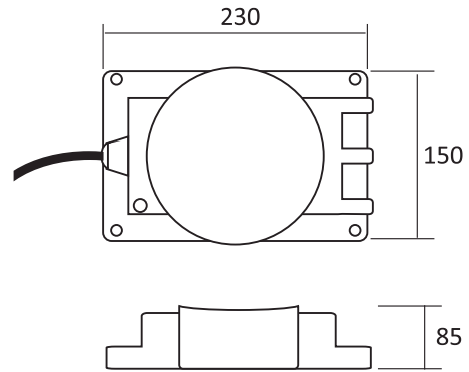


CODE	POWER	DIMENSIONS MM			MAX. OUTPUT CURRENT (DC)	PF	PACKING	WEIGHT	VOLUME
	W	A	B	C				kg	m ³
E-250	100	230	70	46	4.15A	> 0.98	1	1.05	0.016
E-251	150	256	78	47	6.25A	> 0.98	1	1.5	0.018
E-252	300	276	78	47	12.5A	> 0.98	1	1.8	0.022
E-253	360	276	78	47	15A	> 0.98	1	1.8	0.022

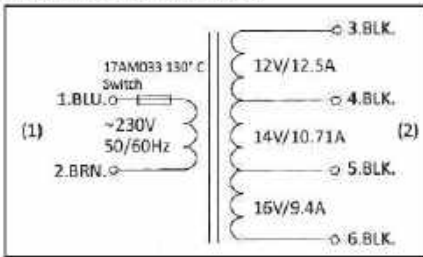
34 CASCADE TRANSFORMER



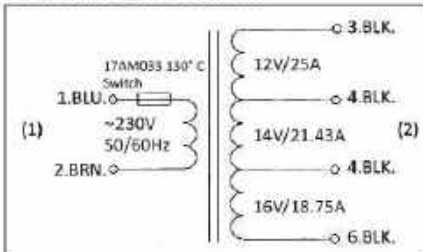
- IP64 transformer with cables for fast wiring.
- Its high quality guarantees its very long life under heavy duty conditions.
- Input 230v~240v, Output 12,14 and 16v. 50/60 HZ.
- Specially recommended for humid areas and where water is close.
- Manufactured under European norms, CE certified.



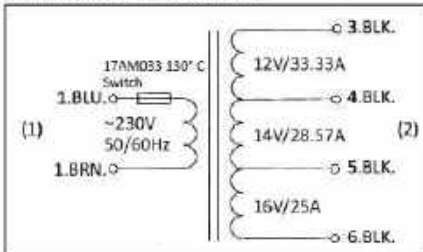
E-245 CIRCUIT DIAGRAM



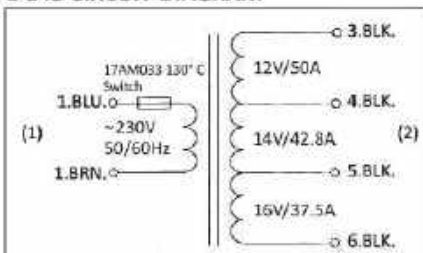
E-246 CIRCUIT DIAGRAM



E-247 CIRCUIT DIAGRAM



E-248 CIRCUIT DIAGRAM



CODE		UNLOAD VOLTAGE (V ± 5%) AC	LOADING VOLTAGE (V ± 5%) AC	RATED CURRENT (A)
E-245	S1:3~4	0~13.1V	0~12V	12.5A
	S1:3~5	0~15.2V	0~14V	10.71A
	S1:3~6	0~17.65V	0~16V	9.4A
E-246	S1:3~4	0~12.68V	0~12V	25A
	S1:3~5	0~14.87V	0~14V	21.43A
	S1:3~6	0~17.05V	0~16V	18.75A
E-247	S1:3~4	0~12.32V	0~12V	33.33A
	S1:3~5	0~14.67V	0~14V	28.57A
	S1:3~6	0~17.01V	0~16V	25A
E-248	S1:3~4	0~12.6V	0~12V	50A
	S1:3~5	0~14.7V	0~14V	42.8A
	S1:3~6	0~16.8V	0~16V	37.5A

CODE	POWER	CURRENT	PACKING	WEIGHT	VOLUME
	W	mA		kg	m ³
E-245	120	50	1	4	0.003
E-246	240	60	1	5	0.003
E-247	320	80	1	6	0.003
E-248	480	85	1	7	0.003



05 POOL-SIDE EQUIPMENT

INDEX

01	LADDERS	150
02	HANDRAILS	154
03	POOL LIFTING SYSTEM	156
04	FITNESS SPORT EQUIPMENT	160
05	WATER DESCENT SYSTEM	165
06	WATER FALL FOUNTAINS	167
07	WATER FALL GAMES	170
08	OVERFLOW GRATNG	171
09	POOL LIFE GUARD	173
10	POOL PANIC SECURITY SYSTEM	176
11	DRY 'N' GO	177
12	HYDRO MASSAGE CHAIRS	178
13	DIVIDING BOARDS	180
14	SLIDES	182
15	SOLAR HEATED SHOWERS	184
16	FOOT WASH COLUMN & BASE	188
17	SOLAR SHOWERS BASE	189
18	LOUNGES	190

01 LADDERS

- Made of Ø42 polished stainless steel AISI-316 or AISI-304
- Steps are made of stainless steel and anti slippery
- Complete with anchor fixtures for deck fixing and pads flange fixture for wall fixing

STANDARD LADDER

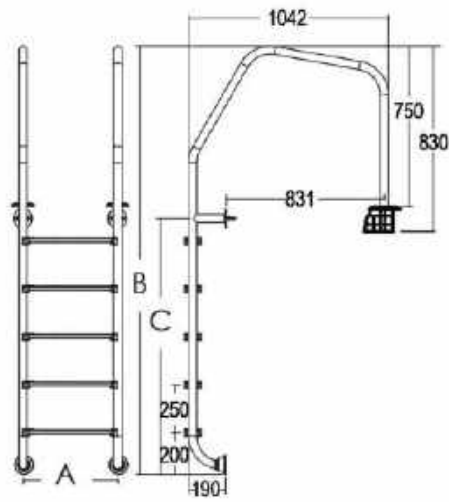


Stainless Steel Step (anti-slippery pad)

Anchor Type

CODE		TREADS	DIMENSIONS					PACKING	WEIGHT	VOLUME
			A	B	C	D	E		kg	m ³
L-105	L-105-316	2	493	1320	686	788	708	1	10	0.08
L-106	L-106-316	3	493	1570	686	788	708	1	11.5	0.09
L-107	L-107-316	4	493	1820	686	788	708	1	13	0.11
L-108	L-108-316	5	493	2070	686	788	708	1	14.3	0.12

OVERFLOW LADDER



Stainless Steel Step
(anti-slippery pad)



Anchor Type



Ancillary Shoring for
NSL815ry pad)

CODE		TREADS	DIMENSIONS			PACKING	WEIGHT	VOLUME
			A	B	C		kg	m ³
L-405	L-405-316	2	493	1460	561	1	15	0.218
L-406	L-406-316	3	493	1710	811	1	17.2	0.225
L-407	L-407-316	4	493	1960	1061	1		0.250
L-408	L-408-316	5	493	2210	1311	1		0.282

MURO LADDER

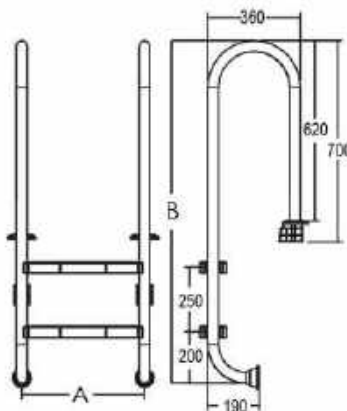
- Composed by lower and upper part with plates, plugs and screws.
- Made in S.Steel| AISI 316.



Stainless Steel Step (anti-slippery pad)



Anchor Type



CODE		TREADS	DIMENSIONS		PACKING	WEIGHT	VOLUME
			A	B		kg	m ³
L-205	L-205-316	2	493	1330	1	8	0.045
L-206	L-206-316	3	493	1580	1	9.7	0.055
L-207	L-207-316	4	493	1830	1	11.2	0.061
L-208	L-208-316	5	493	2080	1	13.7	0.101

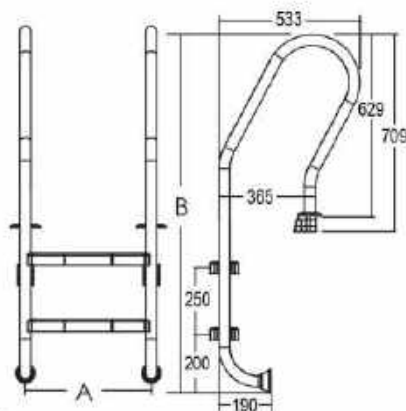
INCLINED LADDER



Stainless Steel Step (anti-slippery pad)

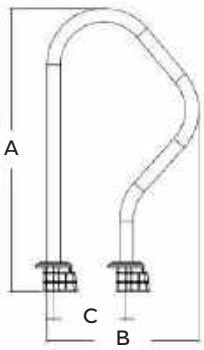


Anchor Type

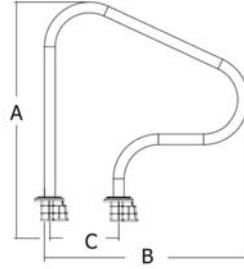


CODE		TREADS	DIMENSIONS		PACKING	WEIGHT	VOLUME
			A	B		kg	m ³
L-305	L-305-316	2	493	1330	1	8.8	0.064
L-306	L-306-316	3	493	1580	1	10.8	0.078
L-307	L-307-316	4	493	1830	1	12.2	0.087
L-308	L-308-316	5	493	2080	1	13.7	0.101

LADDER UPPER PART



L-505



L-506

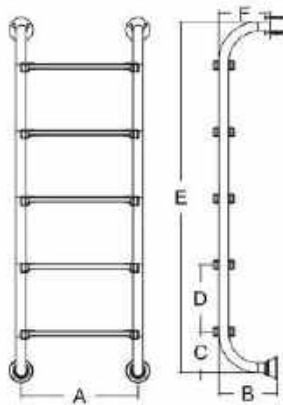


CODE		DIMENSIONS			PACKING	WEIGHT	VOLUME
		A	B	C		kg	m ³
L-505	L-505-316	800	470	225	1	7.1	0.063
L-506	L-506-316	800	800	270	1	8.8	0.010

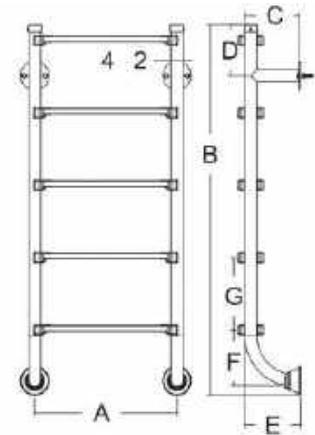
LADDER LOWER PART



L-509/510/511/512



L-513/514/515/516

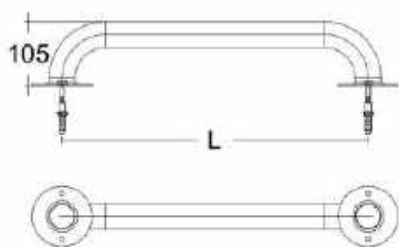


CODE		TREADS	DIMENSIONS						PACKING	WEIGHT	VOLUME
			A	B	C	D	E	F		kg	m ³
L-509	L-509-316	2	493	222	172	280	632	222	1		0.071
L-510	L-510-316	3	493	222	172	280	912	222	1	6.3	0.022
L-511	L-511-316	4	493	222	172	280	1192	222	1	7.8	0.029
L-512	L-512-316	5	493	222	172	280	1472	222	1	9.2	0.036
L-513	L-513-316	2	493	530	190	177	190	200	1	12.6	0.018
L-514	L-514-316	3	493	780	190	177	190	200	1	28.5	0.023
L-515	L-515-316	4	493	1030	190	177	190	200	1	35	0.030
L-516	L-516-316	5	493	1280	190	177	190	200	1	24.6	0.038

02 HAND RAILS

- Made of polished stainless steel AISI-316
- Complete with anchor fixtures for deck fixing and flange fixture for wall fixing

STRAIGHT GRABRAIL



CODE	LENGTH	PACKING	WEIGHT	VOLUME
	m		kg	m ³
500500330	0.5	1	1.5	0.010
500500331	1	1	2.3	0.018
500500332	1.5	1	3.2	0.027
500500333	2	1	4	0.035
500500334	2.5	1	4.6	0.044
500500335	3	1	5.5	0.052

HANDRAIL WITH SUPPORTS



500500340



500500341



500500343



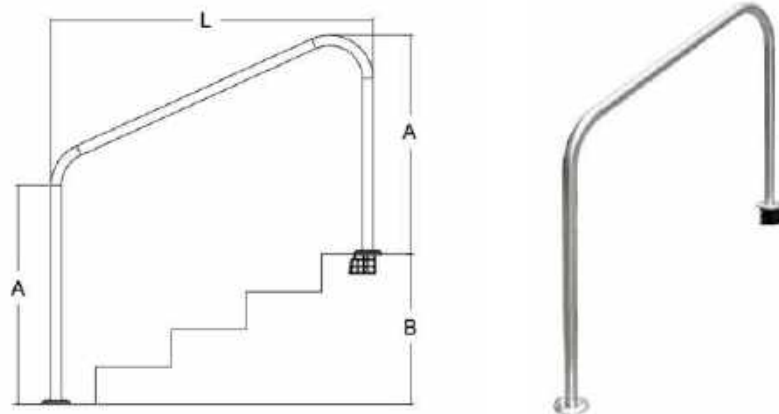
500500344



500500346

CODE	DESCRIPTION	PACKING	WEIGHT	VOLUME
			kg	m ³
500500340	Backrest with base plate	1		
500500341	straight Handrail length in 1meter AISI316	1		
500500343	Straight Joining pipe Ø42 mm in AISI316	1		
500500344	Curved Joining pipe Ø42 mm in AISI316	1		
500500346	End cap of Ø42 mm pipe in AISI316	1		

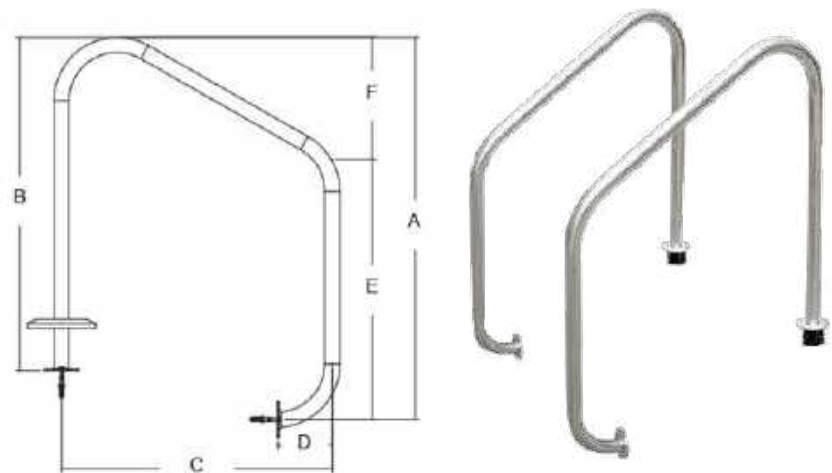
EXIT HANDRAIL 1



05

CODE	DIMENSIONS			PACKING	WEIGHT	VOLUME
	A	B	L		kg	m ³
500500305	800	608	1120	1	12.2	0.178
500500306	800	855	1524	1	14	0.244

EXIT HANDRAIL 2



CODE	DIMENSIONS						PACKING	WEIGHT	VOLUME
	A	B	C	D	E	F		kg	m ³
500500318	1064	927	755	152	725	339	1		0.131



03 POOL LIFT SYSTEM

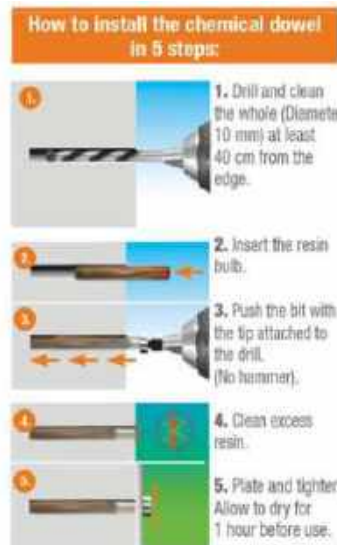
- Made of 316 painted stainless steel
- Works using the mains water pressure supplied from a hose to lift the hydraulic cylinder minimum pressure: 3 bars
- Easy to use: Control valve to raise and lower the life, can be controlled by user or staff.
- No electrics or battery required
- Easy to handle: Transportation wheels to easily move the unijet from storage to the pool.
- Easy to install: Only one hole is needed to be drilled to install the unijet, to secure it against tipping
- Security: With fixation, tipping is not possible
 - Optional footrest for additional security and comfort
 - A safety pin locks the seat in the high position.



Safety wheel in the ground



UNIJET MODEL APPROVED BY APAVE COMPLIES WITH LEGAL OBLIGATION NO 2006/42/CE



TECHNICAL DATA	FEATURES
code	Unijet
Hoisting load max	Up to 120 kg
Weight /Packing volume	55 kg /
Power supply	Hydraulic
Structure	316L painted stainless steel
Seat	Rigid shell
Warranty	2 years
Fixation	Coring (Chemical anchor provided)
Seat course	1,20 m
Dimensions (WxDxH)	70 x 70 x 170 cm
Pool depth	1 Meter minimum



POOL LIFT KART

- Always ready for use
- Access to any part of the pool made easy
- Assists individuals from changing to pool
- Swivel braked rear wheels & Solid front wheels



UNIJET MODEL APPROVED BY APAVE COMPLIES WITH LEGAL OBLIGATION NO 2006/42/CE



Breaking Carpet for Pool Edge



Double Winch



TECHNICAL DATA	MANUAL	MOTORIZED
code	Unikart	Unikart XD
Hoisting load max	Up to 136 kg	Up to 136 kg
Weight /Packing volume	365 kg /	365 kg /
Power supply	No	24V battery
Rear wheels	Swivel braked	Swivel braked
Front wheels	Solid wheels	Solid wheels
Dimensions (WxDxH)	80 x 120 x 170 cm	80 x 120 x 170 cm
Trolley/seat	Painted stainless steel / polypropylene	Painted stainless steel / polypropylene
System	Pantograph (double winch)	Pantograph (double winch)
Lowest seat position	90 cm	75 cm
Warranty	2 years - 7 years (corrosion)	2 years - 7 years (corrosion)



DISABLED MOBILE POOL LIFT CLASSIC & MOTORIZED

- Designed to make all pools accessible to disabled persons or those with reduced mobility such as elderly, for example
- Specific Ip67 mechanical actuator, and powered by a 24 v battery
- Easy to use, press the button and the swimmer goes down into the pool, return button to go up. 40 Cycles per battery charge
- No need for anchoring
- Can be placed at different places of the pool
Stainless steel construction 136 kg lifting capacity
- 4 Hours recharge time
- Swivel braked rear wheels, Solid front wheels

BATTERY



MANUAL

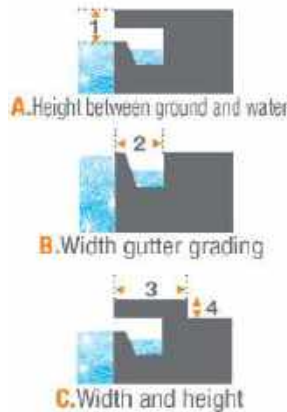


Carpet pool edge

Access for all,
without installation



Please indicate volumes
1-2-3-4



TECHNICAL DATA	MANUAL	MOTORIZED
code	Unikart classic	Unikart classic XD
Max lifting load	Up to 136 kg	Up to 136 kg
Weight /Packing volume	260 kg /	260 kg /
Power supply	No	Battery 24 Volts
Rear wheels	Swivel braked	Swivel braked
Front wheels	Solid wheels	Solid wheels
Dimensions (WxDxH)	80 x 120 x 170 cm	80 x 120 x 170 cm
Trolley/seat	Painted stainless steel / Polypropylene	Painted stainless steel / Polypropylene
System	Pantograph (double winch)	Pantograph (motorized actuator)
Lowest seat position	80 cm	65 cm
Warranty	2 years -7 years (corrosion)	2 years -7 years (corrosion)



POOL LIFT UNIFIX MANUAL & MOTORIZED

- Crane allowing the transfer of a PRM into the pool or inground spa.
- Consists of a swiveling articulated at 360° column which can support a hammock, or a rigid seat. Hoisting load max 150 kg

BATTERY

MANUAL



Please indicate volumes
1-2-3-4



A. Height between ground and water



B. Width gutter grading



C. Width and height



For swimming pool
and Spa



TECHNICAL DATA	MANUAL	MOTORIZED
code	Unifix	Unifix XD
Max lifting load	Up to 150 kg	Up to 150 kg
Weight /Packing volume	50 kg /	60 kg /
Power supply	No	2 Battery
Dimensions (WxDxH)	137 x 30 x 141 cm	132 x 30 x 152.5 cm
Trolley/seat	Galvanized steel / hammock or seat	Galvanized steel / hammock or seat
System	manual	motorized
seat course	130 cm	140 cm
Warranty	2 years	2 years



04 FITNESS SPORT EQUIPMENT AQUA BIKE

- Made in polypropylene, moving parts are made in stainless steel
- Ideal for rehabilitation and fitness
- Adapts to pools depth of 1.2m to 1.7m, can be used with or without water aerobics shoes
- Removable legs
- Suction cup: 8
- Wheels: 2 front
- Colours: 8



TECHNICAL DATA	HEXA BIKE OPTIMA 100	HEXA BIKE OPTIMA 200
Weight / Packing volume	14 kg /	16 kg /
Chassis	Polyethylene	Polyethylene
Accessories	Stainless steel	Stainless steel
Depth of use	120-140 cm	120 - 170 cm
Dimensions	115 x 92 66 cm	120 x 160 x 66 cm
Suction cup	8	9
Wheels	2 front	2 front
Colors	8	7
Brake	Without	with
Warranty	1 Year	1 year

STANDARD EXERCISE EQUIPMENTS

- Made from Polypropylene with stainless steel handle bars, Cranks, Seat post and fixings
- Ideal for rehabilitation and fitness.
- Adapts to pools depth of 1.2m to 1.7m, Can be used with or without aerobics shoes Aqua Run: Ideal for tracking or jogging. Easy to move thanks 2 front mounted wheels and foldable for storage.
- Aqua Jump: For a fun workout, Invigorating and safe. You can bounce and jump in the water
- Aqua Pole: For use in pole Dance. Works arm muscles, biceps, triceps, abdominal muscles



Design Aquafitness



TECHNICAL DATA	HEXA RUN	HEXA JUMP	HEXA MULTI EXERCISE	HEXA STEP
Weight / Packing volume	25 kg /	9 kg /	20 kg /	16 kg /
Chassis	Polyethylene	Polyethylene	Polyethylene	Polyethylene
Accessories	stainless steel	Stainless steel anticorrosion	Stainless steel anticorrosion	
Depth of use	120-140 cm	80 - 170 cm	160 - 180 cm	120 - 140 cm
Dimensions	135 x 82 x 153 cm	Ø106 cm H.22 cm	Ø198 cm H.170 cm	135 x 82 x 153 cm (folded)
Suction cup	8	8	10	8
Wheels	4 front	Wheels	without	4 front
Colors	7	7	7	7
Brake	With	Without	without	With
Warranty	1 Year	1 year	1 year	1 Year

AQUA BIKE PREMIUM



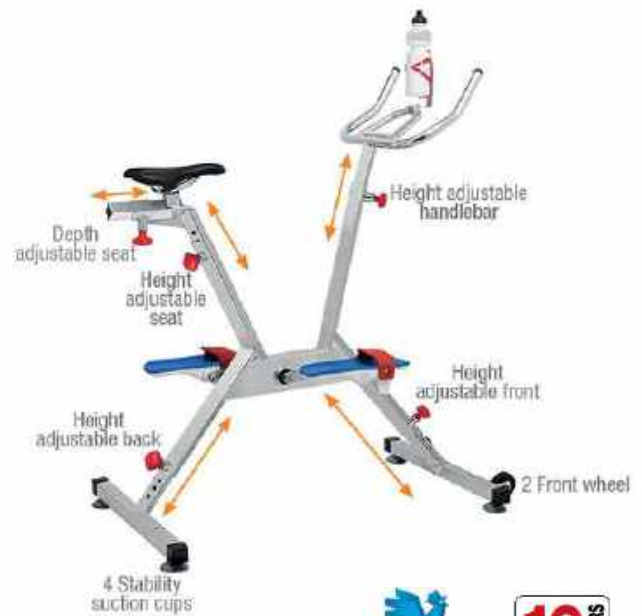
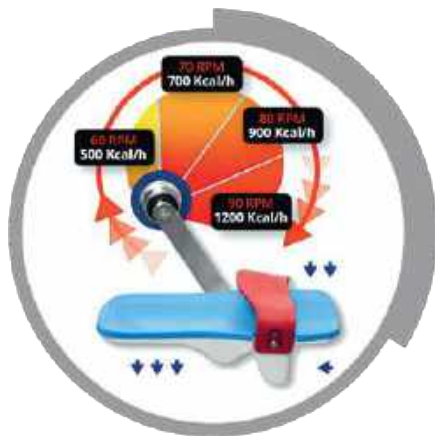
- Made in 316L Stainless steel
- Ideal for rehabilitation and fitness
- Adapts to pools depth of 1.1m to 1.5m, can be used with or without water aerobics shoes
- Height adjustment on seat and on handle bars. Resistant to seawater.
- Easy to move thanks with its 2 front wheels. Handy thanks to its small size



TECHNICAL DATA	HEXA BIKE RESORT 100	HEXA BIKE RESORT 200
Weight / Packing volume	18.3 kg /	25.1 kg /
Material	stainless steel	Stainless steel anticorrosion
Depth of use	110-150 cm	110 - 150 cm
Dimensions	127 x 60.4 x 115 cm	127 x 60.4x 101cm
Suction cup	8	8
Wheels	2 front	2 front
Warranty	1 Year	1 Year

AQUA BIKE STANDARD

- Made in 316L Stainless steel
- Ideal for rehabilitation and fitness
- Adapts to pools depth of 1.1m to 1.5m, can be used with or without water aerobics shoes
- Height and depth adjustment on SEAT, height adjustment on handle bars, Easy to move



Custom ad banner (optional)



Platforms kit with wheels for the beach (optional)



Bottle holder kit: handlebar holder & 500cl bottle (optional)



TECHNICAL DATA	HEXA BIKE ONE 100	HEXA BIKE ONE 200	HEXA BIKE ONE 300
Weight / Packing volume	15.5 kg /	18.3 kg /	20 kg /
Material	stainless steel	Stainless steel anticorrosion	Stainless steel anticorrosion
Depth of use	110-150 cm	110 - 150 cm	110 - 150 cm
Dimensions	84 x 60.4 x 120 cm	127 x 60.4 x 101 cm	120 x 60.4 x 101cm
Suction cup	4	4	4
Wheels	2 front	2 front	2 front
Warranty	1 Year	1 Year	1 Year

PREMIUM EXERCISE EQUIPMENTS



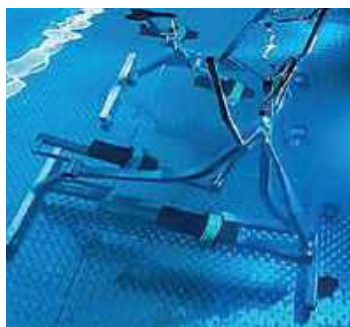
- Made in 316L Stainless steel

Ideal for rehabilitation and fitness

Adapts to pools depth of .8 m to 1.7m, can be used with or without water aerobics shoes: Ideal for aquatrecking or aqua jogging.

Easy to move thanks to 2 front mounted wheels and foldable for storage.

- Fuction cup: 6
- Wheels: 2 front



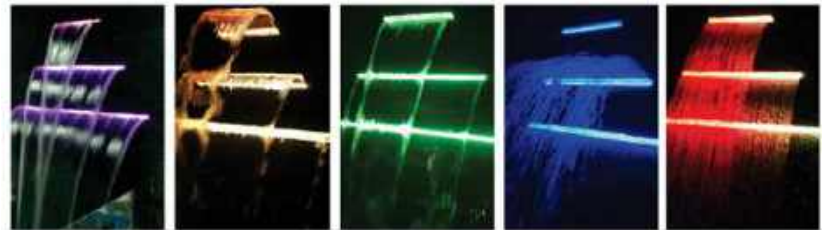
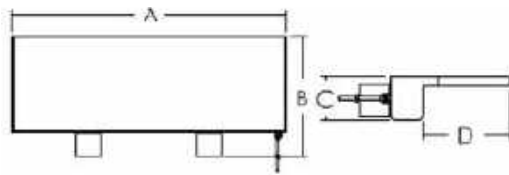
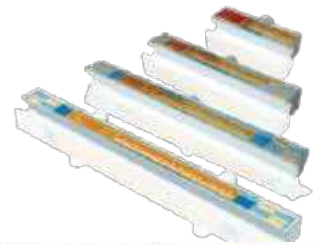
TECHNICAL DATA	HEXA RUN PREMIUM	HEXA ELLIPTIQUE	HEXA JUMP PREMIUM
Weight / Packing volume	32.8 kg /	25.9 kg /	5 kg /
Chassis	Stainless steel 316L	Stainless steel 316L	Stainless steel 316L
Accessories	stainless steel	Stainless steel	Stainless steel
Depth of use	120-140 cm	110 - 150 cm	80 - 170 cm
Dimensions	127 x 65 x 139 cm (unfolded)	135 x 60.6 x 145 cm	Ø91 cm H.21 cm
Suction cup	6	4	4
Wheels	2 front	2 front	without
Warranty	Year	2 Year	2 Year

05 WATER DESCENT SYSTEM

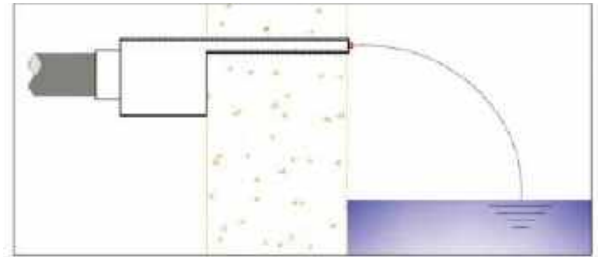
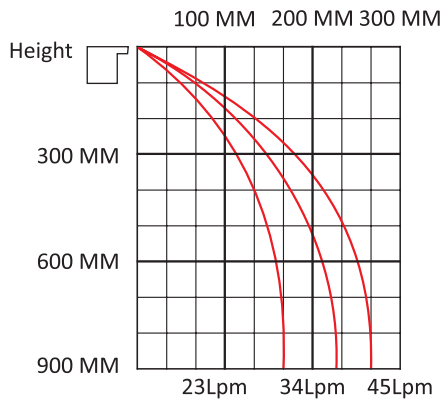
- Available in two different width: 25mm and 150mm, they are suitable for different wall sizes.
- Four different lengths: 300mm, 600mm, 900mm and 1200mm.
- LED strip is powered by external 12V DC, which is safe and reliable.
- The LEDs can be operated through panel or remote control 10 lighting patterns are available.
- Multiple water descents can share the same controller and act in the same pace.
- Input power: 220v ac +15% ;50/60 Hz Output power: 12V DC: 60W
- With remote controller



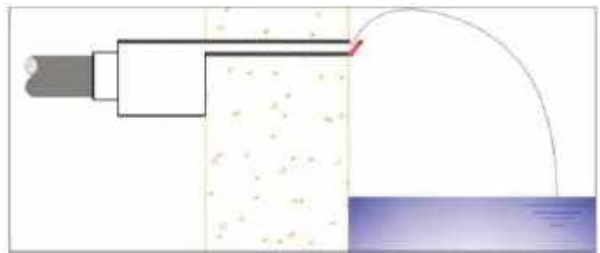
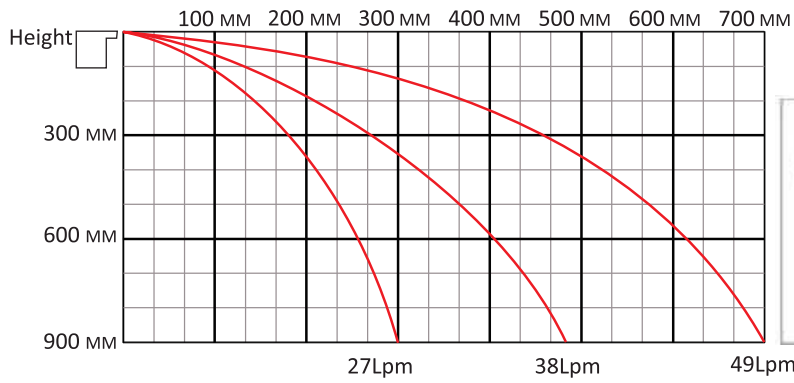
Control Box



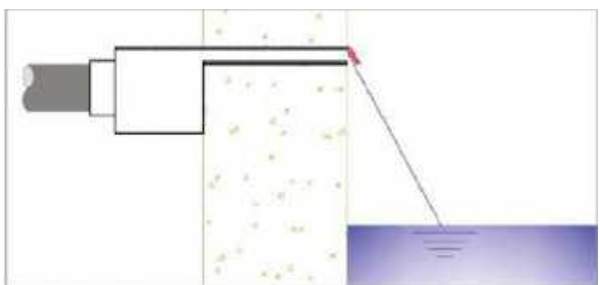
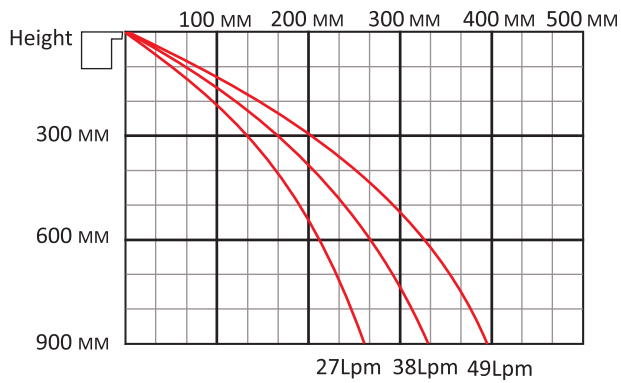
CODE	FLOW RATE	DIMENSIONS				PACKING	WEIGHT	VOLUME
	m ³ /h	A	B	C	D		kg	m ³
PB-88480101	46	306	138	76	25	1		
PB-88480102	46	306	263	76	150	1		
PB-88480111	60	606	138	76	25	1		
PB-88480112	98	606	263	76	150	1		
PB-88480121	120	906	138	76	25	1		
PB-88480122	150	906	263	76	150	1		
PB-88480131	120	1206	138	76	25	1		
PB-88480132	150	1206	263	76	150	1		
PBA-88480401	46	306	152	76	39	1		
PBA-88480402	46	306	277	76	164	1		
PBA-88480411	60	606	152	76	39	1		
PBA-88480412	98	606	277	76	164	1		
PBA-88480421	120	906	152	76	39	1		
PBA-88480422	150	906	277	76	164	1		
PBS-88480501	60	306	152	76	39	1		
PBS-88480502	98	306	277	76	164	1		
PBS-88480511	120	606	152	76	39	1		
PBS-88480512	150	606	277	76	164	1		
PBS-88480521	120	906	152	76	39	1		
PBS-88480522	150	906	277	76	164	1		
CP-WDL	Control box: Input power: 220V AC 15% ; 50/60Hz Output power: 12V DC: 60W							



PB Series



PBA Series

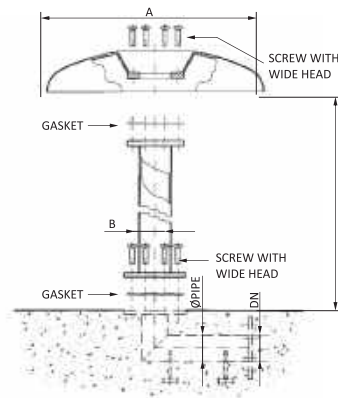


PBS Series

06 WATER FALL FOUNTAINS

STAINLESS STEEL FOUNTAIN "MUSHROOM"

- Made of AISI 316 stainless steel, with metallic silver stoved paint finish.

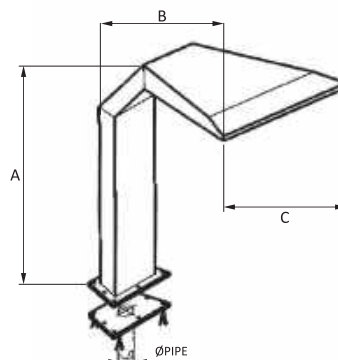


05

CODE	HEIGHT	FLOW RATE	DIMENSIONS					PACKING	WEIGHT	VOLUME
	mm		A	B	H	DN	Ø PIPE		kg	
F-264	800	46	800	114	2000	75	75	1		
F-265	1000	46	1000	140	2000	75	75	1		
F-266	1200	60	1200	168	2000	90	90	1		
F-267	1600	98	1600	220	2200	125	140	1		
F-268	2000	120	2000	273	2200	150	160	1		
F-269	2400	150	2400	273	2200	150	160	1		

STAINLESS STEEL FOUNTAIN "FALL"

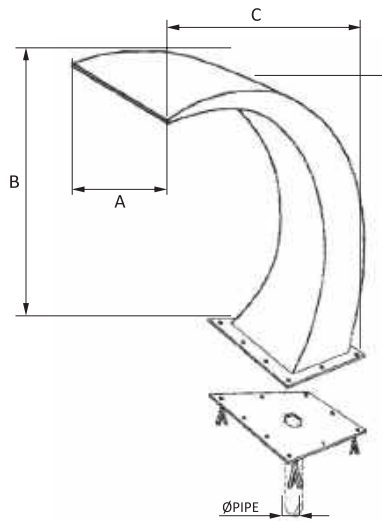
- Made of AISI 316 stainless steel.
- Colors on request: Silver/Metallic Blue, Pearl White.



CODE	JET WIDTH (C)	FLOW RATE	DIMENSIONS			PACKING	WEIGHT	VOLUME
	mm		A	B	Ø PIPE		kg	
F-270	300	25	900	570	63	1		
F-271	400	40	1000	670	75	1		
F-272	600	60	1300	870	90	1		

STAINLESS STEEL FOUNTAIN “COBRA”

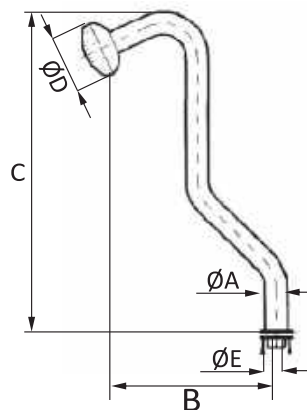
- Made of AISI 316 stainless steel.
- Colors on request: Silver/Metallic Blue, Pearl White.



CODE	JET WIDTH (A)	FLOW RATE	DIMENSIONS				PACKING	WEIGHT	VOLUME
	mm		m ³ /h	A	B	C		Ø PIPE	kg
F-273	300	20	300	650	600	2" F	1		
F-274	500	32	500	650	600	2½"	1		
F-275	650	50	650	800	750	3"	1		
F-276	800	60	800	1000	920	4"	1		

STAINLESS STEEL FOUNTAIN “SUNFLOWER”

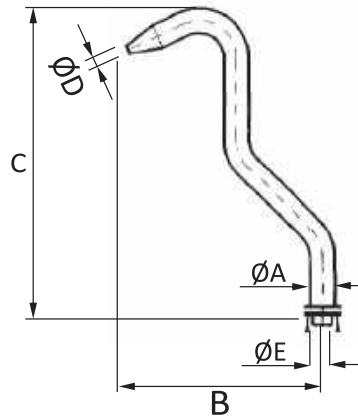
- Made of AISI 316 stainless steel, with metallic silver stoved paint finish.



CODE	DESCRIPTION	FLOW RATE	DIMENSIONS				PACKING	WEIGHT	VOLUME
		m ³ /h	Ø A	B	C	Ø E		kg	m ³
F-277	With Diffuser Ø 168	20	76	600	930	2"	1		
F-278	With Diffuser Ø 220	25	89	700	1300	2"	1		

STAINLESS STEEL FOUNTAIN "HERON"

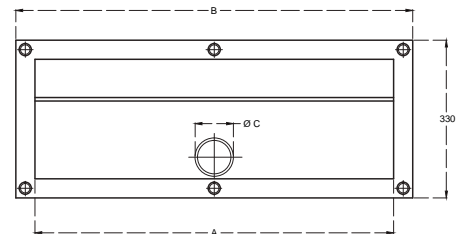
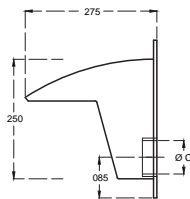
- Made of AISI 316 stainless steel.
- Colors on request: Silver/Metallic Blue, Pearl White.



CODE	DESCRIPTION	FLOW RATE m³/h	DIMENSIONS					PACKING	WEIGHT kg	VOLUME m³
			Ø A	B	C	Ø D	Ø E			
F-279	With Nozzle Ø 27 - 33	15	76	600	930	27	1½"	1		
F-280	With Nozzle Ø 33 - 48	20	89	600	1080	33	2"	1		
F-281	Fan Outlet AV - 200mm	25	76	700	1300	33	2"	1		
F-282	Fan Outlet AV - 300mm	25	89	700	1300	33	2"	1		

"FALL" WALL FOUNTAIN

- Shiny finish.

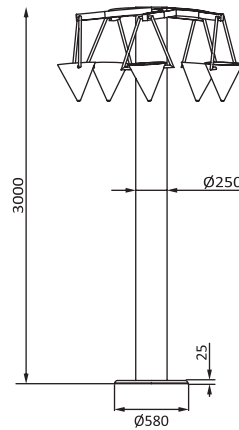
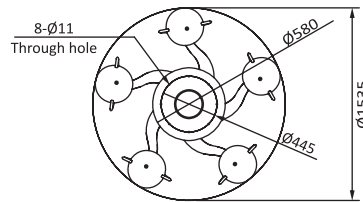


CODE	JET WIDTH mm	RANGE m³/h	DIMENSIONS							PACKING	WEIGHT kg	VOLUME m³
			A	B	C	D	E	F	G			
F-290	300	15	300	380	1½"	330	275	250	85	1		
F-291	500	20	500	580	2"	330	275	250	85	1		
F-292	750	30	750	830	2 x 1½"	330	275	250	85	1		
F-293	1000	40	1000	1080	2 x 1½"	330	275	250	85	1		
F-294	1250	50	1250	1330	2 x 2"	330	275	250	85	1		

07 WATER FALL GAMES

WATER POLE

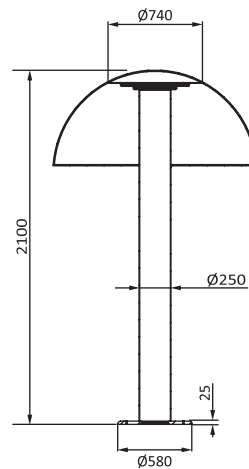
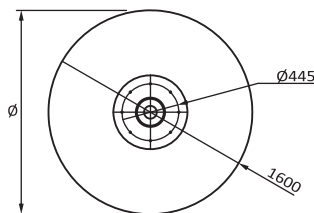
- Water flows up the central pole and down the radial arms.
- Tipsy-turvy buckets of 7 L fill with water and spill over in an active water feature full of color and surprise.
- Optionally mounted with a clock for added functionality.



CODE	Ø	WATER FLOW	HEIGHT	PACKING	WEIGHT	VOLUME
	mm				lt	
F-413	250	1.5	3	1	53.7	0.44

RAINDOME

- Fabricated from GRP to provide an exuberant water curtain feature for recreation pools.
- Water flows up the central stem and then over the surface to provide an all-round curtain.
- Available in 3 different diameters.

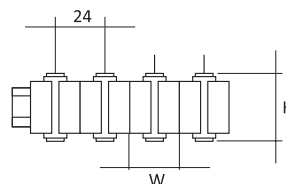


CODE	Ø	HEIGHT	PACKING	WEIGHT	VOLUME
	mm			m	
F-414	1200	2.1	1	45	0.45
F-415	1600	2.1	1	55	0.7
F-416	2000	2.1	1	70	1.2

08 OVERFLOW GRATING

OVERFLOW G RATING

- Made of high quality, UV resistant materials.
- Modular grating for curves.
- The individual gratings are joined forming a continuous flexible run.

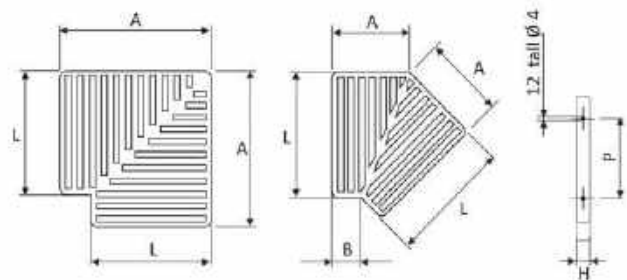


05

CODE	DIMENSIONS		PACKING	WEIGHT	VOLUME
	W	H		kg	m ³
GR-101	195	22	470	13.6	0.080
GR-102	195	35	450	14.3	0.080
GR-103	245	22	320	15.8	0.080
GR-104	245	35	300	16.5	0.080

OVERFLOW GRATING ANGLE

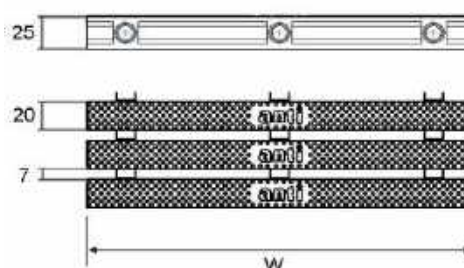
45° and 90° angles made of polyester and Fiberglass



CODE	DESCRIPTION	DIMENSIONS					PACKING	WEIGHT	VOLUME
		A	B	H	L	P		kg	m ³
GR-90-01	OVERFLOW GRATING ANGLE 900 245 x 35 mm	295	-	35	245	127	4	4.1	0.014
GR-90-02	OVERFLOW GRATING ANGLE 900 245 x 22 mm	295	-	22	245	127	4	3.6	0.009
GR-90-03	OVERFLOW GRATING ANGLE 900 195 x 35 mm	245	-	35	195	127	4	2.4	0.009
GR-90-04	OVERFLOW GRATING ANGLE 900 195 x 22 mm	245	-	22	195	127	4	2.2	0.006
GR-45-01	OVERFLOW GRATING ANGLE 450 245 x 35 mm	150	50	35	245	127	4	3.2	0.009
GR-45-02	OVERFLOW GRATING ANGLE 450 245 x 22 mm	150	50	22	245	127	4	2.8	0.009
GR-45-03	OVERFLOW GRATING ANGLE 450 195 x 35 mm	130	50	35	195	127	4	2.0	0.006
GR-45-04	OVERFLOW GRATING ANGLE 450 195 x 22 mm	130	50	22	195	127	4	1.9	0.006

TRANSGRATE

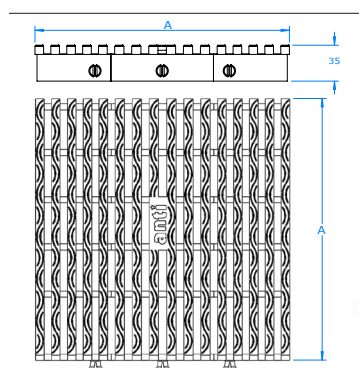
- Designed for Olympic pools.
- Molded from engineering plastics.
- Designed for ease of installation and maximum flexibility.
- Available in a standard width of 250, 300, 350mm. can be cut to custom sizes at request.



CODE	W	PACKING	WEIGHT	VOLUME
	mm		kg	m ³
GR-112	250	8	15	0.01
GR-113	300	8	16	0.01
GR-114	350	8	17	0.15

LOGIGRATE

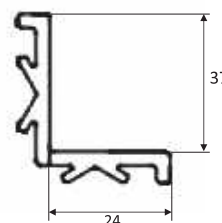
- Designed for Olympic pools.
- Molded from engineering plastics.
- Features elements which run parallel to the pool edge.
- Designed for ease of installation, safety, and maximum flexibility.
- Available in a 3 size width of 250, 300 or 350mm.



CODE	DESCRIPTION	WIDTH A	PACKING	WEIGHT	VOLUME
		m		kg	m ³
AWE026C	ABS LONGI GRATE GLASS FILLED PP	250	8	15	0.01
AWE027C	ABS LONGI GRATE GLASS FILLED PP	300	8	16	0.01
AWE028C	ABS LONGI GRATE GLASS FILLED PP	350	8	17	0.15

GRATING SUPPORT

- Made in plastic.
- Suitable for 22, 24 and 35 mm high grating.
- Supplied in 2 m length.
- Inside measurement 24 x 37 mm.



CODE	PACKING	WEIGHT	VOLUME
		kg	m ³
GR-119	25	13.2	0.033

09 POOL LIFE GUARD

POLYPROPYLENE LIFEGUARD CHAIR

- Chair made in polypropylene which is resistant to sea water and chlorine.
- 100 % recyclable
- Optional hook which can be fitted for a life ring
- Equipped with cup holder and slot to attach a beach umbrella
- The steps and seat are anti slip



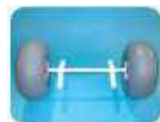
05



Double walk depth
30 cm



Cup holder



Optional wheel for
all the chairs



TECHNICAL DATA	HEXA CHAIR 1 STEP	HEXA CHAIR 2 STEPS	HEXA CHAIR 3 STEPS	HEXA CHAIR 4 STEPS
Weight / Packing volume	35 kg /	50 kg /	70 kg /	86 kg /
Seat height	80 cm	100 cm	127 cm	152 cm
Dimensions	75 x 80 x 140 cm	80 x 105 x 155 cm	90 x 140 x 180 cm	105 x 170 x 210 cm
Material	Recycled polypropylene	Recycled polypropylene	Recycled polypropylene	Recycled polypropylene



POLYPROPYLENE LIFEGUARD CHAIR ALU

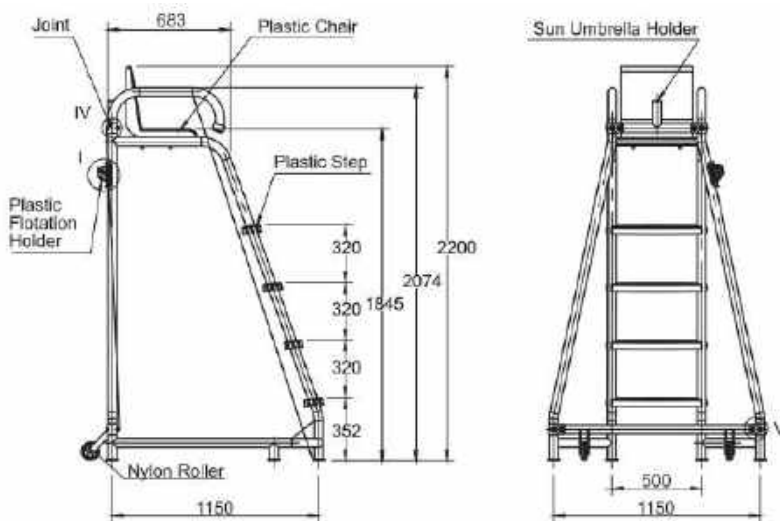
- In natural aluminium, this lightweight chair is built in special profiles giving it stiffness and stability
- Three different heights
- A well seated lifeguard is a happy lifeguard
- Protects against back pain



TECHNICAL DATA	ALU CHAIR 4 STEPS	ALU CHAIR 5 STEPS	ALU CHAIR 6 STEPS
Weight / Packing volume	15 kg /	20 kg /	25 kg /
Seat height	2 cm	2.18 cm	2.36 cm
Seat	PVC	PVC	PVC
Material	Aluminium	Aluminium	Aluminium

LIFEGUARD CHAIR

- Provides a practical vantage point for life guard duties.
- Sturdy Aluminium construction with white powder coating.
- Large Stainless steel 316 wheels allowing the chair to be moved and stored with ease.
- Rubber inserts protect the pool deck from scratches and ensures stable positioning.
- Lifeguard chair has fittings for the mounting of a lifeguard Bouy and Umbrella, both located just behind the seating location.



CODE	HEIGHT	PACKING	WEIGHT	VOLUME
	mm		kg	m ³
PG-14	1895	1	45	0.45

LIFE BUOY

- Made of plastic.
- Exterior diameter 730 mm.

CODE	PACKING	WEIGHT	VOLUME
		kg	m ³
PG-15	6	18	0.33



LIFE HOOK

- Made of aluminium.

CODE	PACKING	WEIGHT	VOLUME
		kg	m ³
PG-16	12	6.5	0.09



10 POOL PANIC SECURITY SYSTEM



STANDARD WALL PANIC BUTTON

- Simple, attachable everywhere.
- Water proof, Protection: Ip65
- Autonomy: 18 months, 1/ 2aa lithium battery



CODE	POWER SUPPLY	DIMENSIONS	PACKING	WEIGHT	VOLUME
				kg	m ³
PG-17	3.2 Battery	100 x 65 x 40 mm			

PANIC BUTTON WITH ANNOUNCEMENT

- Simple, attachable everywhere.
- Water proof, Protection: Ip65
- Autonomy: 18 months, 1/ 2aa lithium battery



CODE	POWER SUPPLY	DIMENSIONS	PACKING	WEIGHT	VOLUME
				kg	m ³
PG-17	3.2 Battery	100 x 65 x 40 mm			

MULTI ZONE RADIO CONTROL

- Simple, follow you every where
- water proof, Protection: IP68
- Autonomy: 18 months, 1/ 2AA lithium battery



CODE	POWER SUPPLY	DIMENSIONS	PACKING	WEIGHT	VOLUME
				kg	m ³
PG-19	3.2 Battery	118 x 68 x 37 mm			

SPARTEL LED BOX AND SPEAKER

- Put it where you want to be notified
- Protection: IP66
- Range:100 m



CODE	POWER SUPPLY	DIMENSIONS	PACKING	WEIGHT	VOLUME
				kg	m ³
PG-20	220V Socket	284 x 180 x 90 mm			

SPARTEL SIGNAL REPEATER

- Allows to transmit a signal in inaccessible areas
- Protection: P 66
- Range: 100 m



CODE	POWER SUPPLY	DIMENSIONS	PACKING	WEIGHT	VOLUME
				kg	m ³
PG-21	220V Socket	180 x 94 x 60 mm			

11 DRY 'N' GO

- Made In stainless steel for perfect hygiene
- Wrings out a swimsuit, eliminates 95% of the water in 10 sec
- To easily put a swimsuit in a bag



DRY 'N' GO®!

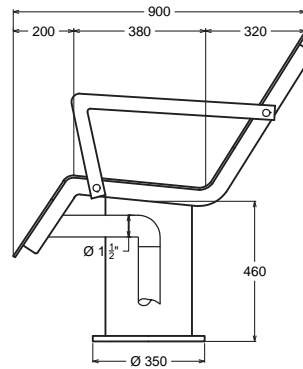


TECHNICAL DATA	MANUAL	MOTORIZED
Code	Dry'n'go XD wringer	Dry'n'go wringer
Weight	25 kg	30 kg
Structure	Stainless steel	Stainless steel
Dimensions (WxDxH)	54 x 3.5.5 x 82 cm	54 x 3.5.5 x 82 cm
References	xdngn000	z184hssd-silver

12 HYDRO MASSAGE CHAIRS

HYDRO MASSAGE ARM-CHAIR

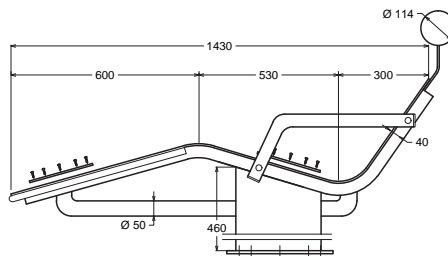
- Hydro massage arm-chair made of shiny finished stainless steel.
- To column (without masonry) 400 mm.
- For concrete or liner pools.
- We recommend to install 2.2KW air blowers



POOL	CODE	PACKING	WEIGHT	VOLUME
			kg	m ³
Concrete	CH-01	1		
Liner	CH-01-L	1		

COLUMN HYDRO MASSAGE BED WITH HANDRAIL

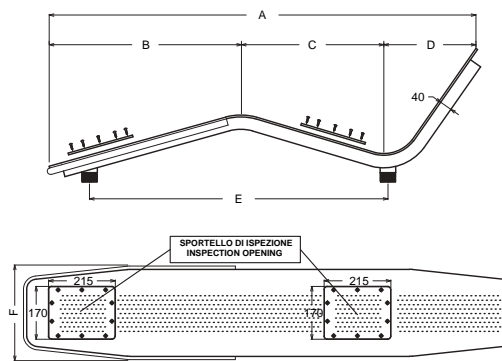
- Column hydro massage bed with handrail made of shiny finished stainless steel AISI 316L.
- For concrete or liner pools.
- We recommend to install 2.2KW air blowers



POOL	CODE	PACKING	WEIGHT	VOLUME
			kg	m ³
Concrete	CH-10	1		
Liner	CH-10-L	1		

HYDRO MASSAGE BED

- Hydro massage bed made of shiny finished stainless steel AISI 316L.
- Bed available in two types (Tight or Wide).
- With inspection opening.
- For concrete.
- We recommend to install 2.2KW air blowers

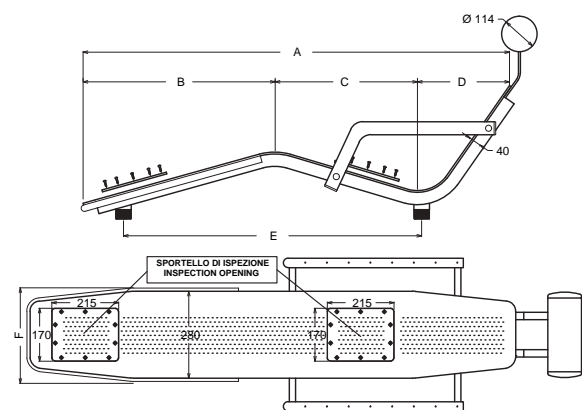


05

CODE	DESCRIPTION	DIMENSIONS						PACKING	WEIGHT kg	VOLUME m ³
		A	B	C	D	E	F			
CH-02	Tight bed standard	1430	600	530	300	1000	280	1		
CH-03	Wide bed standard	1430	600	530	300	1000	400	1		
CH-04	Tight bed with headrest	1430	600	530	300	1000	280	1		
CH-05	Wide bed with headrest	1430	600	530	300	1000	400	1		

HYDRO MASSAGE BED WITH HANDRAIL

- Hydro massage bed made of shiny finished stainless steel AISI 316L.
- Bed available in two types (Tight or Wide).
- With inspection opening.
- For concrete.
- We recommend to install 2.2KW air blowers

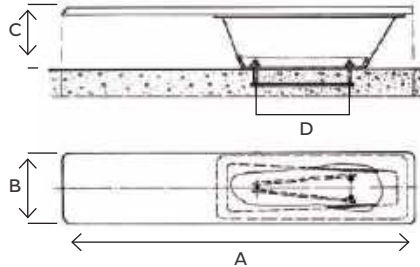


CODE	DESCRIPTION	DIMENSIONS						PACKING	WEIGHT kg	VOLUME m ³
		A	B	C	D	E	F			
CH-06	Tight bed with handrail	1430	600	530	300	1000	280	1		
CH-07	Wide bed with handrail	1430	600	530	300	1000	400	1		
CH-08	Tight bed with handrail & headrest	1430	600	530	300	1000	280	1		
CH-09	Wide bed with handrail & headrest	1430	600	530	300	1000	400	1		

13 DIVING BOARDS

FLEXIBLE DIVING BOARD

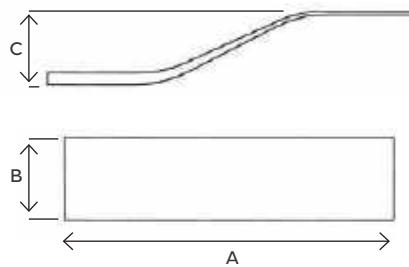
- Board and base made of polyester and fiberglass.
- Non-slip board surface.



CODE	DIMENSIONS				PACKING	WEIGHT	VOLUME
	A	B	C	D		kg	m ³
DB-01	1800	410	350	320	1	30	0.15
DB-02	2000	410	350	530	1	32	0.19
DB-03	2400	410	350	530	1	35	0.20

POOL SPRING BOARD

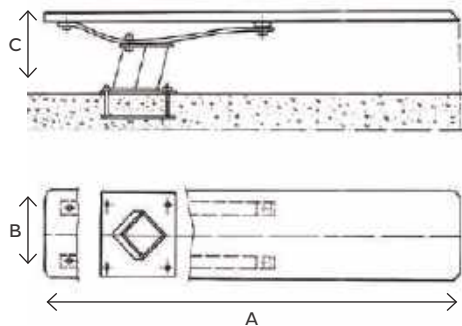
- Polyester and fiberglass board.
- Anchoring unit for deck-mounting.



CODE	DIMENSIONS			PACKING	WEIGHT	VOLUME
	A	B	C		kg	m ³
DB-04	1600	400	320	1	23	0.14

STAINLESS STEEL DIVING BOARD

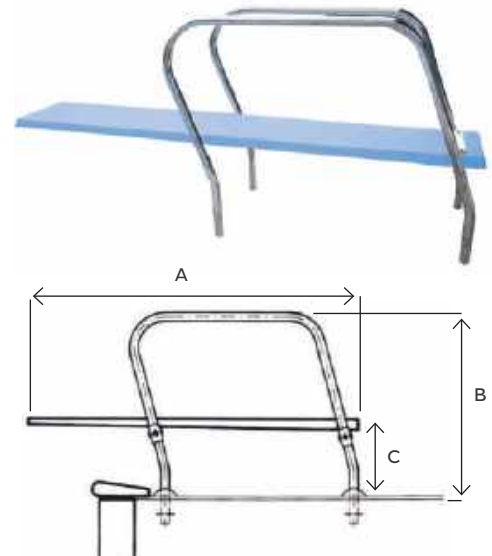
- Polyester and fiberglass board.
- Bases material: In stainless steel construction.
- Non-slip board surface.



CODE	DIMENSIONS			PACKING	WEIGHT	VOLUME
	A	B	C		kg	m ³
DB-05	2400	410	310	1	52	0.20

ROMA DIVING BOARD

- Height from water level 0.60 m.
- Complete with board, handrails and AISI-304-V2A stainless steel install kit.



05

CODE	DIMENSIONS			PACKING	WEIGHT	VOLUME
	A	B	C		kg	m ³
DB-06	1850	1030	450	1		
DB-07	2400	1030	450	1		

STAINLESS STEEL DIVING BOARD FOR PUBLIC POOLS MODEL "HX"

- With AISI 316/L - V4A Stainless Steel column
- AISI 304-V2A Stainless Steel ladder, hand-rail
- Stainless Steel adjustable fulcrum and De Luxe board mt 4.30 / 4.90

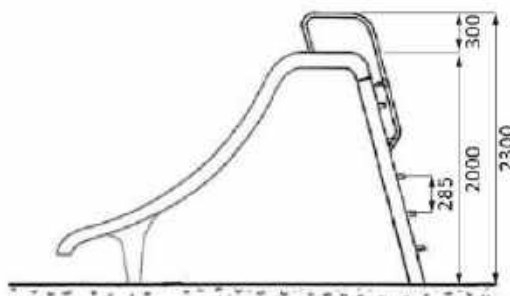


CODE	DIMENSIONS			PACKING	WEIGHT	VOLUME
	A	B	H		kg	m ³
08401	430	850	1000	1		
08402	490	1850	2000	1		
08403	490	2850	3000	1		

14 SLIDES

STRAIGHT POOL SLIDE

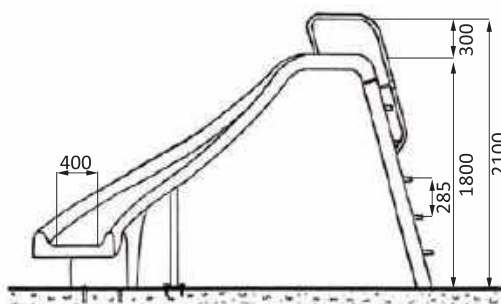
- Polyester and fiberglass material.
- Anti-slipping step surface.
- Support base underneath the sliding-surface-part (slide-body).



CODE	HEIGHT	PACKING	WEIGHT	VOLUME
	mm		kg	m ³
SL-01	2000	2	42	2.40

CURVED POOL SLIDE

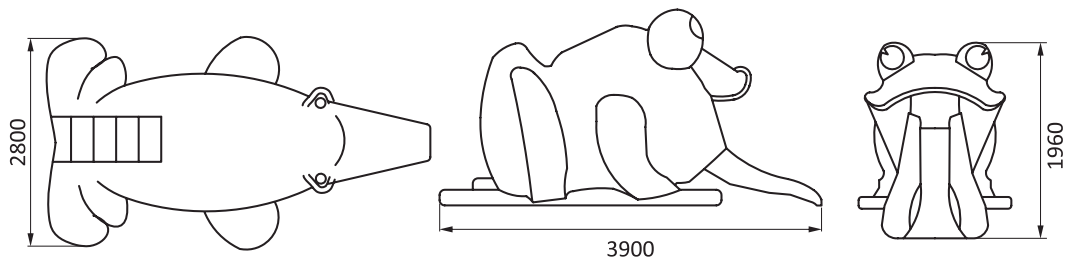
- Polyester and fiberglass material.
- Anti-slipping step surface.
- Support base underneath the sliding-surface-part (slide-body).
- Two water nozzles supplying water along the sliding surface.
- Tall side ramps aside the slide for extra safety.
- Aluminium, epoxic painted handrails with white color.
- Easy fast installation



CODE	DESCRIPTION	HEIGHT	PACKING	WEIGHT	VOLUME
		mm		kg	m ³
SL-02	Right hand curved design	1800	2	45	2.70
SL-03	Left hand curved design	1800	2	45	2.70

FROG SLIDE

- A friendly and welcoming slide and a big attraction for children.
- Made from GRP, can be placed in the wading pool or on the pool deck.
- Does not require water.

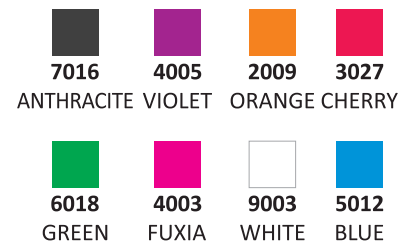
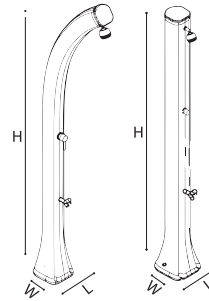


CODE	PACKING	WEIGHT	VOLUME
		kg	m ³
SL-04	1	180	12.86

15 SOLAR HEATED SHOWERS

MODEL "HAPPY"

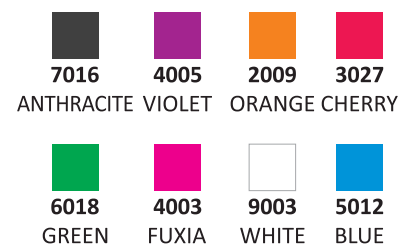
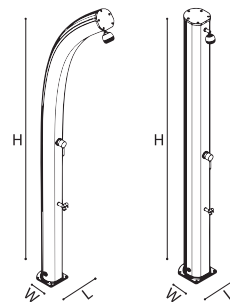
- With hot/cold mixer/Shower head & foot washer
- Polyethylene HD body and chromed accessories



CODE	DESCRIPTION	COLOR/FINISH	DIMENSIONS			WATER CAPACITY lt	PACKING	WEIGHT	VOLUME
			H	W	L			kg	m ³
H-420	"HAPPY XL"	See Chart	220	26	24.5	44	1	8	0.14
H-690	"HAPPY STRAIGHT"	See Chart	215	29	26	40	1	9	0.18

MODEL "JOLLY"

- Made of aluminum protected by anti-corrosion treatment,
- Capacity of 25 liters
- With hot/cold mixer /Shower head & foot washer
- Aluminium body and chromed accessories



CODE	DESCRIPTION	COLOR/FINISH	DIMENSIONS			WATER CAPACITY lt	PACKING	WEIGHT	VOLUME
			H	W	L			kg	m ³
A-520	"JOLLY"	See Chart	226	16.5	15	25	1	13	0.17
A-620	"JOLLY STRAIGHT"	See Chart	229	16.5	15	25	1	12	0.14



HAPPY STRAIGHT



HXAPPY XL



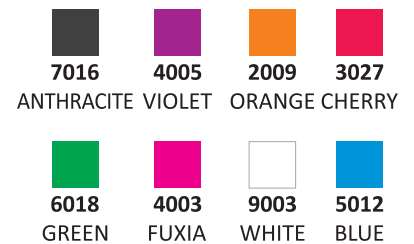
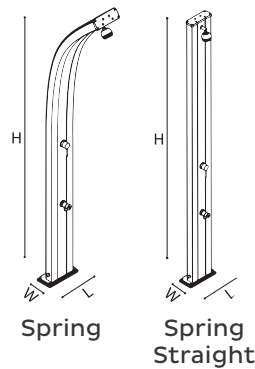
JOLLY



JOLLY STRAIGHT

MODEL "SPRING"

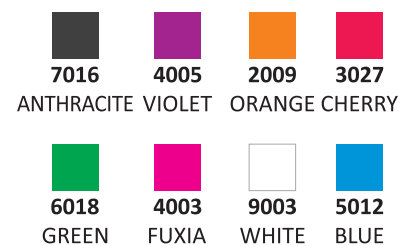
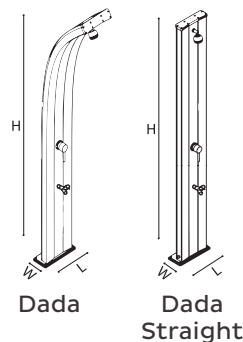
- With hot/cold mixer/Shower head & foot washer
- Aluminium body and chromed accessories
- Made of aluminum and protected by anti-corrosion treatment
- Available in the traditional model in all versions and colors.



CODE	DESCRIPTION	COLOR/FINISH	DIMENSIONS			WATER CAPACITY lt	PACKING	WEIGHT kg	VOLUME m ³
			H	W	L				
A-120	"SPRING"	See Chart	224	12	26	30	1	15	0.27
A-220	"SPRING STRAIGHT"	See Chart	228	12	26	30	1	16	0.27

MODEL "DADA"

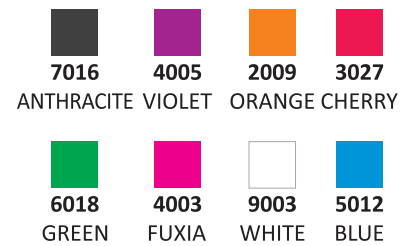
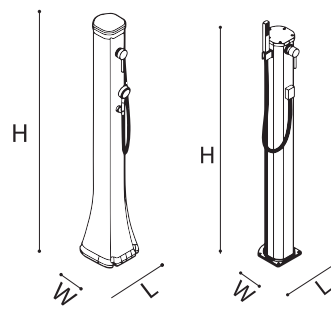
- With hot/cold mixer/Shower head & foot washer
- Made of aluminum protected by anti-corrosion treatment
- With its modern contemporary design, Dada is the jewel of our production.
- The harmony and elegance of its form makes it suitable for any environment



CODE	DESCRIPTION	COLOR/FINISH	DIMENSIONS			WATER CAPACITY lt	PACKING	WEIGHT kg	VOLUME m ³
			H	W	L				
D-320	"DADA"	See Chart	225	14	34	40	1	22	0.34
D-420	"DADA STRAIGHT"	See Chart	229	14	34	40	1	20	0.17

MODEL "HAPPY GO" & "JOLLY GO"

- With hot/cold mixer 81 foot washer
- Polyethylene HD body and chromed accessories
- It is a suitable shower for people who are always on the go.
- Easy to be carried either by car or camper van. 5
- Installation is hassle free, with no special skills required.

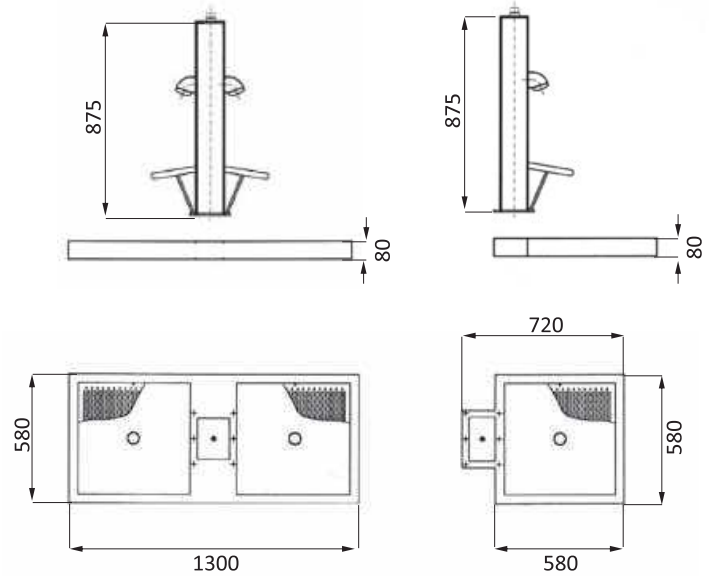


CODE	DESCRIPTION	COLOR/FINISH	DIMENSIONS			WATER CAPACITY lt	PACKING	WEIGHT kg	VOLUME m ³
			H	W	L				
HG-140	"HAPPY GO"	See Chart	120	29.5	27	20	1	4	0.11
JG-140	"JOLLY GO"	See Chart	120	16.5	15.5	20	1	10	0.07



16 FOOT WASH COLUMN & BASE

- Made of AISI-316 stainless steel.
- The whole has mirror finish.
- Complete with timer tap.



CODE	DESCRIPTION	PACKING	WEIGHT	VOLUME
			kg	m ³
SH-106	Single Column	1		
SH-107	Double Column	1		
SH-108	Single Support Base	1		
SH-109	Double Support Base	1		

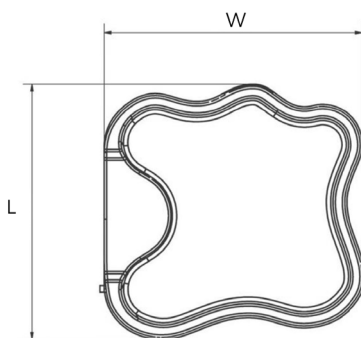
17 SOLAR SHOWERS BASE

LAKE

Its design is inspired by nature, with soft and enchanting lines, setting up a harmonious ambience. It is made of HD polyethylene, which is particularly suitable for outdoor settings.

Equipped with horizontal drain, this allows installation. No drilling or building necessary.

Available in three colors, additional colors can be customized upon request.

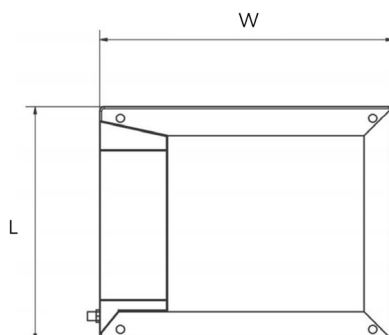


SQUARE

Its basic design enhances its functionality setting up a modern ambience, keeping up with the newest trends.

Made of resin, it is suitable for outdoor applications. Available in anthracite color.

Equipped with horizontal drain, this allows installation. No drilling or building works required.



CODE	DESCRIPTION	DIMENSIONS			PACKING	WEIGHT	VOLUME
		H	W	L		kg	m ³
B-101	LAKE	9	107	103	1	17	
B-102	SQUARE	6	96	77	1	6	

18 LOUNGES

Perfect ergonomics and smooth lines inspired by the dynamics of a body at rest, recall feelings of serenity and well-being.

The possibility to change its angle of inclination, allows you to enjoy of total relaxation, making it an object of unique and exclusive design.

Functionality and stability are guaranteed by HD polyethylene, produced with rotational molding, Suitable for any type of environment, both indoor and outdoor, private and professional use. Changing the legs or using the chaise longue directly in its ground position.

Available in different versions, without varying its functions.

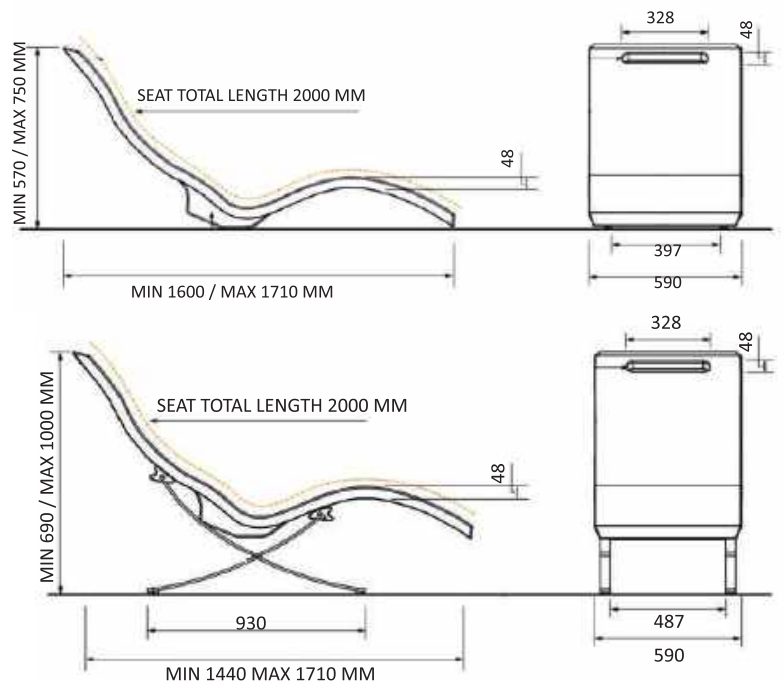
Light and handy, it is easily movable for any subsequent relocation and is simple to sanitize with the most common household products.



GROUND VERSION



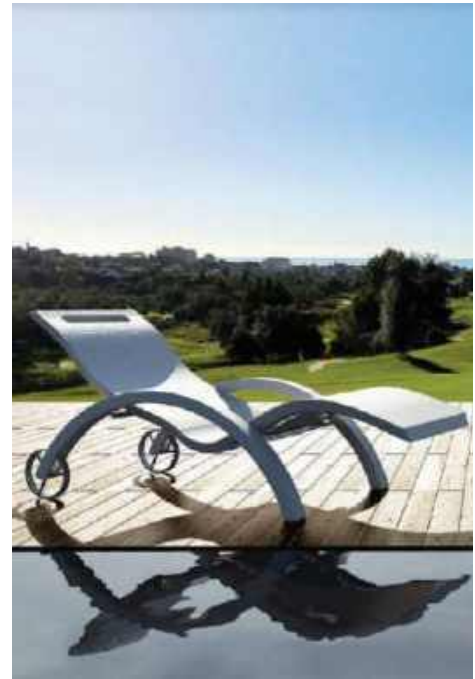
IN-DOOR VERSION



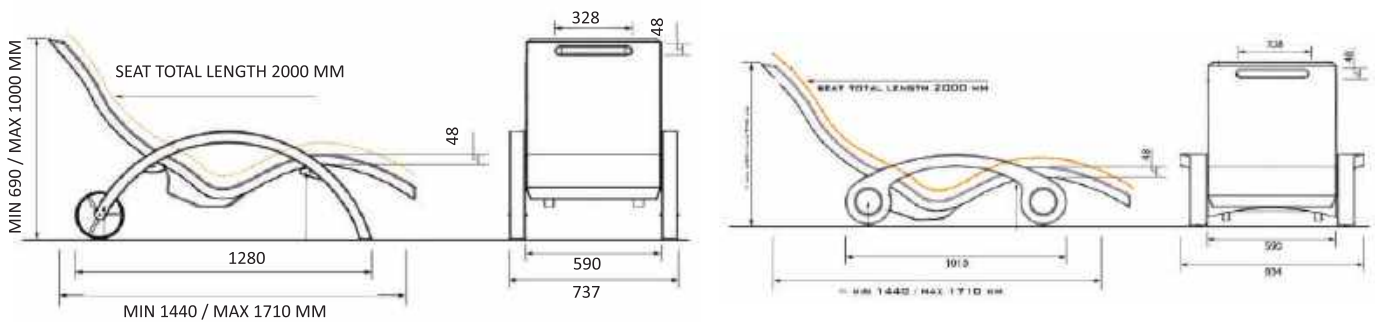
TECHNICAL DATA	GROUND VERSION	INDOOR VERSION	OUTDOOR VERSION	FLOATING VERSION
Weight	16	21	20	-
Surface	Stone effect	Stone effect	Stone effect	Stone effect
Dimensions	160/171 L X 59.7 W X 57/75 H	144/171 L X 59.7 W X 69/100 H	144/171 L X 73.7 W X 69/100 H	144/171 L X 83.4 W X 69/735 H
Seat length	200 CM	200 CM	200 CM	200 CM
Structure	Chromed support stand	Chromed support stand	WHEELED LEG	Chromed support stand
Packing size	180 x 60 x 40 cm	85 x 50 x 7 cm	130 X 50 X 15 cm	
Material	100 % Polyethylene HD	100 % Polyethylene HD	100 % Polyethylene HD	100 % Polyethylene HD
Production	Italy	Italy	Italy	Italy
Warranty	2 Years	2 Years	2 Years	2 Years



FLOATING VERSION



OUTDOOR VERSION



ACCESSORIES



S910



S920



S930

CODE	DESCRIPTIONS
S910	Community support for serendipity chaise lounge polyethylene chair outdoor version
S920	Fly support for serendipity chaise lounge polyethylene chair ground version
S930	Under water support for serendipity chaise lounge polyethylene chair Floating version



06 POOL CLEANING PRODUCTS

INDEX

01	POOL CLEANERS.....	194
02	LEAF SKIMMERS	195
03	BRUSHES	196
04	SELF FLOATING HOSE	197
05	TELESCOPIC HANDLES	197
06	THERMOMETERS	198
07	MAINTENANCE KIT	198
08	QUICK' VAC	199
09	CROCODILE ROCK.....	200
10	QUIRREL PRO	201
11	AUTOMATIC BALANCE TANK	202
12	PEPS	203
13	CHRONO MP3	206

01 POOL CLEANERS

METAL POOL CLEANER

- Heavy aluminum bottom cleaner.
- Very robust.
- Supplied with wheels, brushes and internal ballast.
- For Ø 38 hose.



CODE	SIZE	FIXING		PACKING	WEIGHT	VOLUME
	cm	CLIP	Butterfly Nuts		kg	m ³
C-102	33	•		4	11.7	0.060
C-103	45	•		4	15.5	0.071

ALUMINIUM POOL CLEANER

- Vacuum brush with swivel and EZ-Clip
- For Ø 38 hose.



CODE	SIZE	PACKING	WEIGHT	VOLUME
	cm		kg	m ³
C-107	14"	6	14.3	0.062
C-108	18"	6	17.6	0.078

FLEXIBLE POOL CLEANER

- Made of flexible plastic to adapt to the different shapes and angles of swimming pools.
- Supplied with 8 wheels.
- For Ø 38 hose.
- Fixing: Clip.



CODE	SIDE BRUSHES	PACKING	WEIGHT	VOLUME
			kg	m ³
C-111	WITH	12	16.1	0.05
C-112	WITHOUT	12	16.1	0.05

02 LEAF SKIMMERS

- Standard surface leaf skimmer – clip.

CODE	PACKING	WEIGHT	VOLUME
		kg	m ³
C-142	24	5.5	0.06



- Heavy duty surface leaf skimmer – clip.

CODE	PACKING	WEIGHT	VOLUME
		kg	m ³
C-143	12	6.5	0.11



- Standard deep leaf rake – clip.

CODE	PACKING	WEIGHT	VOLUME
		kg	m ³
C-144	24	6.5	0.08



- Standard deep leaf rake – clip.

CODE	PACKING	WEIGHT	VOLUME
		kg	m ³
C-145	12	7.5	0.11



03 BRUSHES

- New deluxe vacuum brush made of plastic - clip.
- To be connected to Ø38 mm vacuum hose.
- Curved wall brush made of plastic 45cm - clip.
- For Ø 38 hose.

CODE	PACKING	WEIGHT	VOLUME
		kg	m ³
C-120	12	6	0.04



- Straight wall brush made of plastic 26cm - clip.

CODE	PACKING	WEIGHT	VOLUME
		kg	m ³
C-121	24	9.6	0.03



- Stainless steel curved algae brush reinforced 45cm - clip.

CODE	PACKING	WEIGHT	VOLUME
		kg	m ³
C-122	12	8	0.04



- Stainless steel straight wall brush 25 cm- clip.

CODE	PACKING	WEIGHT	VOLUME
		kg	m ³
C-123	24	12	0.03



04 SELF FLOATING HOSE

- Made of EVA, UV-resistant.
- Eases manual and automatic pool cleaners handling because of its flexibility.
- Its design enables the hose to keep floating even when full of water and allows the pool cleaner to work freely on the pool floor.
- End fittings included.



CODE	HOSE	LENGTH	PACKING	WEIGHT	VOLUME
		m		kg	m ³
C-130	Ø 38	10	1	3.8	0.03
C-131	Ø 38	12	1	4.2	0.04
C-132	Ø 38	15	1	5.5	0.06
C-133	Ø 38	30	1	7.0	0.10

HOSE CUFF

CODE	HOSE	PACKING	WEIGHT	VOLUME
			kg	m ³
C-135	Ø 38	12	3	0.02



05 TELESCOPIC HANDLES

- Aluminium, telescopic handle to adapt to pool cleaner, leaf skimmers and brushes.
- Fixing: clip



CODE	LENGTH	PACKING	WEIGHT	VOLUME
	m		kg	m ³
C-141	1.50 (3 x 0.50)	24	8	0.02
C-137	4.80 (2 x 2.40)	20	26	0.09
C-138	9.00 (3 x 3.00)	20	30	0.11

06 THERMOMETERS

DIGITAL THERMOMETER

Solar floating digital thermometer with °C and °F scale.

CODE	PACKING	WEIGHT	VOLUME
		kg	m ³
C-149	24	3	0.02



ANIMAL THERMOMETERS

Floating animal thermometer in 4 shapes.

CODE	PACKING	WEIGHT	VOLUME
		kg	m ³
C-150	48	6.5	0.02



07 MAINTENANCE KIT

Maintenance kit consists of:

- Flexible pool Cleaner C-112
- Surface leaf skimmer C-143
- Curved brush C-120
- Test Kit CL-105
- Thermometer C-150

CODE	PACKING	WEIGHT	VOLUME
		kg	m ³
C-151	24	3	0.02



08 QUICK' VAC

- Light, easy to handle, with 36A Battery, the Quick' Vac is designed to clean any size of pools without any limitation, cables or electricity, it can clean a 15x15m pool in 15 minutes only.
- Ideal for residential and commercial pools, even small fountains, camping and paddling pools.
- The extraordinary flow of the suction pump allow precise cleaning and increased handiness even in the toughest corners and places.
- The detachable filter retrieves all kinds of impurities in the water, with an elastic system it is very easy to detach and empty.
- Manufactured in reinforced plastic, resistant to UV and high temperatures, anticorrosive parts.
- The trolley is made of painted aluminum, comes with a battery support and allows proper storage of the unit.
- The Quick' Vac special for fountain can vacuums in less than 10cm of water depth. • Transmission: 360° Rotating wheels.
- Filtration type: filter bag 75,105, 250, 1000 microns



TECHNICAL DATA	QV 100	QV 200	QV 300
Width	40 cm	40 cm	110 cm
Suction power	40m ³ /h	40m ³ /h	40m ³ /h
Trolley/chassis	Painted aluminium /UNBS	Painted aluminium /UNBS	Painted aluminium /UNBS
Cable length	14m	14m	21m
Weight out of water	5 kg	5 kg	7 kg
Pump	250 m	250 m	250 m
Filtration (micron)	75, 100, 250, 1000	75, 100, 250, 1000	75, 100, 250, 1000
Filtration capacity	2 kg sand	4 kg sand	6 kg sand
Autonomy	3h	3h	3h
Power supply	12V battery / Power supply	12V battery / Power supply	12V battery / Power supply
Minimum water depth	15 cm	40 cm	40 cm
HEXA-F-75	Spare filter bag 75 micron fine filtration		
HEXA-F-105	Spare filter bag 105 micron classic filtration		
HEXA-F-250	Spare filter bag 250 micron exterior filtration		
HEXA-F-1000	Spare filter bag 1000 micron reopen the pool		

09 CROCODILE ROCK



- Powerful design,
- Embodying sportiness, dynamism and emotion, for a high-end model. Double ultra filtering large capacity bags



TECHNICAL DATA	SERIE 1	SERIE 3	SERIE 5 NEON	SERIE 8 XD
Mode	Floor	Floor and wall	Floor and wall	Floor and wall
Pool length	Up to 15 m	Up to 15 m	Up to 18 m	Up to 18 m
Cleaner width	40 cm	40 cm	40 cm	40 cm
Cleaning speed	10 to 18 m/min	10 to 18 m/min	10 to 18 m/min	10 to 18 m/min
Suction power	23 m ³ /h	23 m ³ /h	23 m ³ /h	23 m ³ /h
Weight out of water / in water	7.5 kg / 1.5 kg	9 kg / 2 kg	9 kg / 2 kg	9 kg / 2 kg (without battery)
Cable length	16 m	18 m	20 m	with battery
Trolley	Without	With	With	With
Remote control	Without	Without	With	With
Filtration capacity	3.1 kg	3.1 kg	3.1 kg	3.1 kg
Power supply	110V-240V / 24V dc	110V-240V / 24V dc	110V-240V / 24V dc	12 Volts
Autonomy / Charge time	-	-	-	3H (autonomy) / 6H (charge)
Brush type	PVC, option PVA	PVC, option PVA	PVC, option PVA	PVC, option PVA

10 QUIRREL PRO

- High filtration fineness, 100 micron
- Ability to clean pools with islets
- Ultra-light for the user



The ally for
outdoor hotel pools



TECHNICAL DATA	SQUIRREL PRO 100	SQUIRREL PRO 150 XD	SQUIRREL TWIN 200
Mode	Floor and wall	Floor and wall	Floor
Pool length	Up to 25 m	Up to 20 m	Up to 20 m
Cleaner width	40 cm	40 cm	78 cm
Cleaning speed	10 to 15 m/min	10 to 15 m/min	10 to 15 m/min
Suction power	27 m ³ /h	27 m ³ /h	50 m ³ /h
Weight out of water / in water	9 kg / 2 kg	9 kg / 2 kg	18 kg / 4 kg
Cable length	30 m	with battery	40 m
Trolley	With	With	With
Remote control	With	With	With
Filtration capacity	3.1 kg	3.1 kg	6.2 kg
Power supply	110V-240V / 24V dc	12 Voltes	110V-240V / 24V dc
Autonomy / Charge time	-	3H (autonomy) / 6H (charge)	-
Brush type	PVC, option PVA	PVC, option PVA	PVC, option PVA

11 AUTOMATIC BALANCE TANK



- Innovative automatic cleaning solution
- Much simpler and safer for agents
- Fight against chloramine and sediments
- Permanently stay in balance tank



A robot dedicated to
a balance tank



TECHNICAL DATA	DARK CLEANER
Mode	Balance tank
Cleaner width	40 cm
Cleaning speed	8 m/min
Suction power	30 m ³ /h
Weight out of water / in water	14 kg / 2 kg
Cable length	16 m (supplied)
Trolley	In stainless steel (supplied)
Filtration capacity	External
IR (detection walls)	1
Power supply	110V - 240V / 12V dc



12 PEPS

“The real professional clean and scrub pool cleaner ”

CONSTRUCTION

Class-executive high-strength, aluminum alloy body. The design is reliable to easy to maintain. it will withstand daily use by multiple staff.

PERFORMANCE

The peps pool bottom cleaner is extremely power ful with a professional pump of 37m³/h: largest cleaning capacity on the market (filter can hod up 14 lbs of sand). It has hexatone revolutionary fast rotating brushes stiff bristle and super power suction. This makes it the ideal partner for any swimming pool.

SMART

Equipped with a gyroscopic controller and twin infra-redcaptors, its self-learning automatic mode makes the peps pool bottom clear extremely fast and efficient completing a cycle on a 15m x 10m pool in less than 25 minutes.

Usage a peps pool bottom cleaners Is therefore both easy and efficient.

It comes complete with transaction trolley and remote control

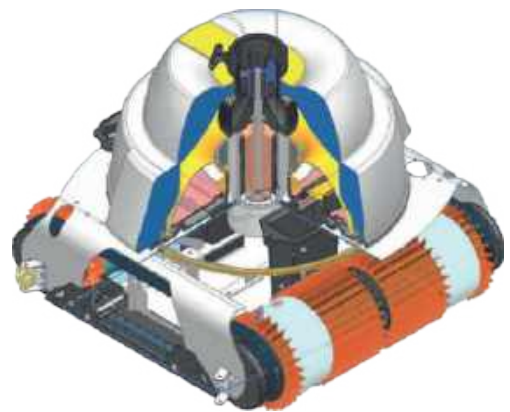


TECHNICAL DATA	PEPS 200	PEPS 300
Pool length	Up to 25 m	25 to 50 m
Cleaner width	40 cm	60 cm
Cleaning speed	10 m/min	12 m/min
Suction power	37 m ³ /h	37 m ³ /h
Weight out of water / in water	14 kg / 2 kg	17 kg / 2 kg
Cable length	30 m	40 m / 30 m (in optional)
Trolley	In stainless steel	In stainless steel
Filtration capacity	4 kg sand	6 kg sand
IR (detection walls)	1	1
Power supply	110V - 240V / 12V dc	110V - 240V / 12V dc
HEXA-F-75	Spare filter bag 75 micron fine filtration	
HEXA-F-105	Spare filter bag 105 micron classic filtration	
HEXA-F-250	Spare filter bag 250 micron exterior filtration	
HEXA-F-1000	Spare filter bag 1000 micron reopen the pool	

HEXAGONE VACUUM POOL CLEANERS

“Magellan System the most advanced pool cleaner intelligence in the world”

More than 20 000 code lines, 10 000 hours of development and around 7 000 Magellan pool cleaners in use in swimming pools the world over (across 51 countries)



CONTROLLED NAVIGATION

5 Choices of cleaning mode:

- Series gyro sensor for controlled trajectory management
- Travel speed adjustment from 8 to 25 metres/minute
- Independently navigates slopes and curves
- Automatically calculates swimming pool dimensions
- Remote control 8 waterproof and shockproof functions

1. Ultra short cycle, Hexpresso mode



4. Long V-mode cycle



2. Short cycle on parallel pathways



5. Very long floor and sidescycle



3. Classic cross-shape cycle



POOL SHAPES

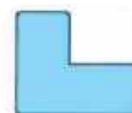
Multi-format

- From the simplest swimming pool to the most complex
- From 18 to 80 metres
- Resistant up to 20 metres depth

Whatever the shape



Rectangle



L-shape



Free-form



With obstacles

Whatever the pool floor



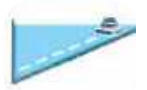
Flat



Sloping



Hopper pool



Beach-entry

Whatever the lining



Tiled



Stainless steel



Liner



Concrete

DETECTION AND SAFETY FUNCTIONS

10 sensors within the pool cleaner:

Wall, slope, side and virtual wall detectors



Wall detector infrared sensor



Slope sensor angle sensor



Virtual wall algorithm



Obstacle detection intensity sensor

Trajectory management control



Controlled navigation gyroscope



Speed of movement RPM sensor



Straight line management chronometer

Pool cleaner safety management



Lack of water micro-amp sensor



Cable anti-tangling rotation sensor



Pump & motor intensity Hi/lo electronic sensor

MAN VS MACHINE

Touchscreen interface

- Colour touchscreen, a dynamic and a global first
- Choice between immediate or timed start modes
- Several cleaning modes available
- Command confirmation and advice by loudspeaker
- Easy reading of pool cleaner settings for hassle-free maintenance
- Self-diagnosis and display of potential problems
- Technical instructions and logbook accessible via touchscreen
- Speed can be configured by user
- Bluetooth option for updates and PC or tablet connections





13 CHRONO MP3

“The best-selling public swimming pool cleaner in Europe...”

The Chrono MP3 pool cleaner is available in 3 different casing lengths, 4 cable lengths, 4 types of trolley, a choice of 4 degrees of filtration, 4 types of auto settings and 3 types of brush.

mp3



Configure your cleaner to personalise your needs and your budget.



INCREDIBLY EASY TO USE

To place the pool cleaner in the water, take the remote control and guide the cleaner into the pool in the position of your choice.

There is no specific start point (unless so desired). To start, press the immediate start or timed start button and you're away.

To remove from the water, a special handle allows you to take hold of the pool cleaner which only weighs 2.2 kg in the water. Wearing parts (belts, brushes...) can be replaced without the need for tools. For an improved customer experience, the cleaner speaks, confirms the user's preferences and offers simple maintenance advice.



MAXIMUM HYGIENE

With its 50m³/h turbo pump, it vacuums dirt resting on the tiling or inside the seals and grouting. By travelling upwards along the pool side each time it detects a wall, it also removes algae accumulating at the foot of the walls. Thanks to its umbrella-opening filter never again will you have to get your hands dirty when cleaning the filter of hair, body hair, mucous residues, piercings, used bandages...



EASY MAINTENANCE

Setup is included in the purchase of the pool cleaner. From then on, we will configure the vacuum for the pool and organise training for pool professionals on the use and maintenance of the machine. Self-diagnosis is included in every machine.



CONFIGURE YOUR CHRONO MP3

MP3 CASING



MP3 M

Suction: 50m³/h. Weight 22 kg.
Cleaning speed: 10 m/min.



MP3 L

Suction: 50 m³/h. Weight 23 kg.
Cleaning speed: 12 m/min.



MP3 XL

Suction: 50 m³/h. Weight 24 kg.
Cleaning speed: 14 m/min.

CAMERA

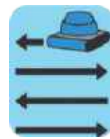


Waterproof IP68 camera with 8 leds

AUTO MODES



Magellan Cross
1hr 30mins for 25m
4hrs for 50m



Systematic
45mins for 25m
3hrs for 50m



V-shape
1hr 45mins for 25m
4hrs for 50m



Floor and sides option
4hrs for 25m 9hrs for 50m

CABLE

Free-floating reinforced PVC coating



25m



32m



40m



50m

OPTION



Edges

90° angle - Rounded angle

TROLLEYS



Classic

With dispenser and 2 forks



25-32m Reel

With reel and dustpan



40-50m Reel

With reel and dustpan



Winch trolley

Equipped with winch trolley and winch

FILTERS



● **20 microns**
Very fine filtration



● **75 micron**
Fine filtration



● **105 microns**
Classic filtration



● **250 microns**
Filtration for exteriors



● **1000 microns**
Filtration for return to operation



2nd bare filter tray
Second filtration option

BRUSHES

Sticky floor



PVC

- For M
- For L
- For XL

Normal floor



Mixed

- For M
- For L
- For XL

Slippery floor



PVA

- For M
- For L
- For XL

ACCESSORIES



Remote cabinet



Level-up



Protective canvas



Depth Kit



Saltwater Kit



Liner Kit



07 CHEMICAL PRODUCTS

INDEX

01	CHLORINE WITHOUT STABILIZER	210
02	STABILIZED CHLORINE	212
03	BROMINE	215
04	DISINFECTANT WITH ACTIVE OXYGEN	216
05	ACTIVE OXYGEN & NEUTRALIZER	217
06	SPA SPECIALIST	218
07	WATER BALANCE	220
08	FILTERING SUPPLY	223
09	SPECIALIST	225
10	ANTI-ALGE	226
11	WALL CLEANING	229
12	FLOATING POOL COVER CLEANING	230
13	FILTER CARE	231
14	PHOTOMETER MD-100 MODEL 5IN1	232
15	POOL -TESTER CL-PH	233
16	CHLORINE AND PH TEST KIT	233



01 CHLORINE

CHLORINE WITHOUT STABILIZER

PCH GRANULAR

- Chlorine shock for pools water. Permanent chlorine to eliminate bacteria, virus or fungi and algae
- Against problem of over stabilization
- Fast dissolving composition
- The average chlorine by weight is around 70%

INTRODUCTIONS:

Shock dosage: 1.3 lb. per 10,000 gal. of water (\approx 150gr / 10 m³). Granular PCH is added to the skimmer, with the filtration working, if it does not contain any stabilized organic chlorine (slow dissolving chlorine tablet, fast or shock chlorine).



CODE	DESCRIPTION	CONTENTS	CONTAINER	PACKING	WEIGHT	VOLUME
					kg	m ³
215000050	PCH GRANULAR	5 kg	Plastic Drum	4	20	
215000250	PCH GRANULAR	25 kg	Plastic Drum	1	20	

PCH LONG LASTING 300G

Regular and long lasting non stabilized pools chlorination

INTRODUCTIONS:

Long lasting chlorination: one cylinder of 300g for 6000 gal (25m³).

Within 4 to 7 days depending on temperature and filtration time.

Adjust pH level between 7.0 and 7.4.

Long lasting PCH is provided in the skimmer, filtration on, and the skimmer must not contain any stabilized chlorine.



CODE	DESCRIPTION	CONTENTS	CONTAINER	PACKING	WEIGHT	VOLUME
					kg	m ³
22030051	PCH long lasting	5.1 kg	Plastic Drum	4	20	

PCH PELLET

- Resolves saturation problems
- The average of chlorine rate is around 70%

INTRODUCTIONS:

Quick chlorination: 15 tablets / 2600 gal (10m³) into the skimmer, without any other product, filtration on, after adjusting pH between 7.0 and 7.4.

Public pools regular chlorination: Thanks to "PCH EVOLUTION" pellets are dissolved as and when required, then the chlorine solution is injected into the filtration circuit generally adjusted by an automatic chlorine regulator.



CODE	DESCRIPTION	CONTENTS	CONTAINER	PACKING	WEIGHT	VOLUME
					kg	m ³
225010250	PCH pellet	25 kg	Plastic Drum	1	25	

LIQUID CHLORINE

- The product is based on hypochlorite of sodium
- See further automated injection systems

INSTRUCTIONS:

Needs a daily input to maintain the chlorine rate to the wished value, by adding 9 oz (250 ml) of liquid chlorine for 2600 gal (10m³). Maintain the pH within 7.2 and 7.4

Without use of stabilizer agent: the active chlorine rate must be between 0.4 and 1.4 ppm.

With stabilizer agent: the free chlorine rate must be at least 2 ppm.

The rate of stabilizer agent must be under 75 ppm, the ideal rate should be around 30 and 50 ppm.



CODE	DESCRIPTION	CONTENTS	CONTAINER	PACKING	WEIGHT	VOLUME
					kg	m ³
242000250	Liquid Chlorine 13.5%	20 lt	Can	1		
242100250	Liquid Chlorine 9.6%	20 lt	Can	1		

CHLORINE STABILIZER AGENT

Fight against the disappearance of chlorine disinfectant.

Slow dissolving powder to use in addition with non-stabilized chlorine in outdoor pools.

Saving 40 to 60% in case of inorganic chlorine treatment: chlorine gas, PCH, liquid chlorine.

INSTRUCTIONS:

0.26 lb (100 g) of stabilizer for 2600 gal (10m³) of water brings a 10ppm rate. Feed the product in the skimmer, filtration on.

Be sure, there is no other product in the skimmer. The ideal rate.

ideal rate should be around 30 and 50 ppm.



CODE	DESCRIPTION	CONTENTS	CONTAINER	PACKING	WEIGHT	VOLUME
					kg	m ³
195000050	Chlorine stabilizer agent	5 kg	Bucket	4	20	
195000250	Chlorine stabilizer agent	25 kg	Bucket	1	25	

02 STABILIZED CHLORINE



SLOW CHLORINE 3 TABLET

Daily disinfection, used to clean and eliminate bacteria, viruses, fungi and algae.

- Chlorine tablets with a long dissolution

Family pools: 1 tablet of 250g/ 6600 gal (25m³) of water every 5 to 7 days in the skimmer or the floating dispenser. Maintain chlorine rate between 1.5 and 2ppm and control one time per month the content of stabilizer.

Commercial / Public pools:

Insert CHLORE LENT 250 tablets directly into the dosage feeder.

Proceed to settings: control valves or regulation settings. Protective equipment's



CODE	DESCRIPTION	CONTENTS	CONTAINER	PACKING	WEIGHT	VOLUME
					kg	m ³
115250050	Slow chlorine 3" tablet	5 lt	Bucket	4		
115250250	Slow chlorine 3" tablet	25 kg	Bucket	1		

CHLORINE POWDER 90%

- Rapidly dissolving powder, average chlorine content close to 90%.
- Slow granular chlorine 90 % - Powerful slow dissolution granular chlorine.
- Use biocides safely. Always read the label and product information's before use.



CODE	DESCRIPTION	CONTENTS	CONTAINER	PACKING	WEIGHT	VOLUME
					kg	m ³
149090050	Chlorine powder 90%	5 kg	Bucket	4		
149090250	Chlorine powder 90%	25 kg	Bucket	1		
149090500	Chlorine powder 90%	50 kg	Bucket	1		
145000050	Chlorine lent granular 90%	5 kg	Bucket	4		
145000250	Chlorine lent granular 90%	25 kg	Bucket	1		

FAST CHLORINE V60

Quick increase of the chlorine level, ideal product for metering pump injection.
 Available chlorine is up to 60%.
 Fast dissolving granular, for a shock treatment directly sprinkle on the pool's surface.

INSTRUCTIONS:

Shock dosage: 1.3 to 1.7 lb. per 10,000 gal. (150g/10m³), in the skimmer, filtration on.
 Commercial pools: Regular treatment, diluted to 2% (4.5 lb. in a 27 gal. tank of water), and then injected by metering pump.
 Maintain a permanent chlorine rate between 2 and 4 ppm..



CODE	DESCRIPTION	CONTENTS	CONTAINER	PACKING	WEIGHT	VOLUME
					kg	m ³
165000050	Fast chlorine V60	5 kg	Bucket	4	20	
165000250	Fast chlorine V60	25 kg	Bucket	1	25	

SHOCK CHORINE 20G

Fast chlorination to recover a green or cloudy water.
50% chlorine available.

INSTRUCTIONS:

Shock chlorination (presence of algae): 7 to 10 pellets / 2600 gal. (10 m³)

Quick chlorination: 1 pellet / 2600 gal. (10m³), goes the chlorine level of 1 ppm.



CODE	DESCRIPTION	CONTENTS	CONTAINER	PACKING	WEIGHT	VOLUME
					kg	m ³
135020050	Shock chlorine 20g	5 kg	Bucket	4	20	
135020250	Shock chlorine 20g	25 kg	Bucket	1	20	

ACTIONS CHLORINE

Disinfectant, anti-algae, flocculant, pH buffer, clarifying.

- 5 regular disinfection actions.
- Destruction and prevention against algae and their development.
- Improved filtration by flocculant effect.
- Effective filtration, proper chlorine level, a proper pH balance, a dash of antialgae, some flocculant to agglomerate the impurities...
- Force 5 is the product that definitely simplifies the processing of water.



INSTRUCTIONS:

1 tablet 250g / 6600 gal. (25 m³) of water in the skimmer or floating dispenser every 4 to 6 days.
The pH should be maintained between 7.0 and 7.4. The stabilizer level should be kept under 75ppm.

CODE	DESCRIPTION	CONTENTS	CONTAINER	PACKING	WEIGHT	VOLUME
					kg	m ³
155250050	5 Action chlorine	5 lt	Bucket	4	20	
155250250	5 Action chlorine	25 kg	Bucket	1	25	

03 BROMINE

SLOW DISSOLVING BROMINE

Recommended for spas, whirlpools and hot water. Pellets 20g slow dissolution.

- Excellent disinfectant regardless of the water pH
- Destruction of bacteria, viruses, fungi and algae.



INSTRUCTIONS:

With Brominator: essential for slow and steady scattering. Fill the feeder with a load of BROME LENT, then recharge in as and of the erosion of pellets. Adjust the flow rate to a bromine rate of 1 to 2 ppm for a pool, or 2 to 3 ppm for a whirlpool.

Shock reactivating treatment: Recommended twice a month and / or if green or cloudy water. BROME CHOC reactive Bromine salts for enhanced disinfection at 0,45 lb. (200g) for 2600 gal. (10m3) of water directly into the pool without any swimmer.

Without Brominator: Put the bromine pellets (no other product in contact) in a skimmer or filter pump strainer.

Dosage: 12 pellets / 6600 gal. (25 m3)of water every 4-7 days. Adjust to a bromine rate of 1 to 2 ppm for a pool and 2 to 3 ppm for a whirlpool.

Keep pH between 7.5 and 8.0. Avoid a pH below 7.2.

CODE	DESCRIPTION	CONTENTS	CONTAINER	PACKING	WEIGHT	VOLUME
					kg	m ³
315020050	5 Action chlorine	5 lt	Bucket	4	20	

SHOCK REACTIVATING POWDER

Use biocides safely. Always read the label and product information before use.



CODE	DESCRIPTION	CONTENTS	CONTAINER	PACKING	WEIGHT	VOLUME
					kg	m ³
325001050	Shock reactivating powder	5 kg	Bucket	4	20	



04 DISINFECTANT WITH ACTIVE OXYGEN

All-in-one, thanks to its formula strengthened with active oxygen.

- Multi-function chlorine for extended regular disinfection.
- Convenient for each week shock treatment.
- Limits stabilizer increase according to chlorine distribution / oxygen.



INSTRUCTIONS:

1 Ovy TWIN 500 tablet / 10,000 gal. (40 m3) in the skimmer every 7 to 10 days.

CODE	DESCRIPTION	CONTENTS	CONTAINER	PACKING	WEIGHT	VOLUME
					kg	m ³
175500045	Chlorine strengthened with active oxygen	4.5 kg	Bucket	4	18	

QUICK DISSOLVING CHLORINE STRENGTHENED WITH ACTIVE OXYGEN



Ovygène is a fast chlorine shock treatment strengthened with active oxygen.

- Granular fast-dissolving, fast increase of chlorine level.
- Synergy between chlorine and active oxygen.
 - Low intake of stabilizer.

INSTRUCTIONS:

During commissioning, or to recover a green or cloudy water, introduce 0.3 to 0.5 lb. (150 to 200 g) OvyGENE for 2600 gal. (10m3) filtration on. Adjust pH between 7.0 and 7.4. Check stabilizer rate under 75 ppm. Caution: Never put in direct contact with any synthetic coating.

CODE	DESCRIPTION	CONTENTS	CONTAINER	PACKING	WEIGHT	VOLUME
					kg	m ³
166002050	Quick dissolving chlorine strengthened with active oxygen	5 kg	Bucket	4	20	

05 ACTIVE OXYGEN & NEUTRALIZER

ACTIVATE OXYGEN POWDER

Free of chlorine oxydizer. Convenient to recover green waters.

- Shock treatment with active oxygen, free of stabilized chlorine
- Completes regular disinfection, also able to reactivate bromine



INSTRUCTIONS:

Use 0.4 to 0.7 lb. (200 to 300 g) of OXYCLEAN / 2600 gal. (10 m³) into the skimmer, without swimmers. In case of algae, double the dose. Treatment with active oxygen alternative to chlorine shock stabilized, helping to reduce intake of stabilizer: Use weekly OXYCLEAN powder 0.3 lb. 150g / 2600 gal. (10 m³)

CODE	DESCRIPTION	CONTENTS	CONTAINER	PACKING	WEIGHT	VOLUME
					kg	m ³
325000050	Activate oxygen powder	5 kg	Bucket	4		

NEUTRALIZER

Rapid deactivation of active chlorine or bromine.

- Works instantly.
- Turns chlorine or bromine to dissolved inactivated salts.



INSTRUCTIONS:

Deactivation of chlorine: 2,5 ppm to deactivate 1ppm of chlorine

Deactivation of bromine: 2 ppm to deactivate 1ppm of bromine

CODE	DESCRIPTION	CONTENTS	CONTAINER	PACKING	WEIGHT	VOLUME
					kg	m ³
395000040	Neutralizer Deactivation of chlorine or bromine	4 kg	Bucket	6	24	

06 SPA SPECIALISTS



ANTI FOAMING

Reabsorbed scum and unwanted surface foam (spas, whirlpool).

INSTRUCTIONS:

Allow 0.3 to 0.6 oz. (10 to 20 ml) ANTI-EMULSION per 10 sq ft (1 m²), depending on the size of the emulsion to remove. You should identify the cause of emulsion and remove the foaming effect product.



CODE	DESCRIPTION	CONTENTS	CONTAINER	PACKING	WEIGHT	VOLUME
					kg	m ³
692000010	Anti-foaming	1L	Bucket	6		

SPA DESCALING PIPELINE

Removes scale and SPAS fat piping
Powerful formula for scaling before draining.

INSTRUCTIONS:

Deactivation of chlorine: 2,5 ppm to deactivate 1ppm of chlorine
Deactivation of bromine: 2 ppm to deactivate 1ppm of bromine
Provide 0.5 liters of product / 1m³. Pour the product directly into the operating area. Leave to work for at least 2 hours. Drain and rinse the basin thoroughly, until complete disappearance of the foam.

NOTE:

If calcium deposits remain on the walls, use the product pure or diluted to 10% directly on tough stains, leave on for 5 to 10 minutes after application, in strong rubbing the stains and rinse thoroughly.

FOR BIOFILM REMOVAL:

Make a shock treatment before using the descaling agent.



CODE	DESCRIPTION	CONTENTS	CONTAINER	PACKING	WEIGHT	VOLUME
					kg	m ³
722000011	Spa descaling pipeline	1L	Bucket	6		

KIT CONTENTS

- 1 kg of pellets 20 g disinfectant
- 1 kg of shock active oxygen powder
- 1.5 kg pH minus powder
- 1 kg = 2.2 lb.
- 1 test strips
- 1 L of anti-algae JET 35



CODE	DESCRIPTION	CONTENTS	PACKING	WEIGHT	VOLUME
				kg	m ³
187999901	Bromine kit spa	1	72		

REFILLS



CODE	DESCRIPTION	CONTENTS	PACKING	WEIGHT	VOLUME
				kg	m ³
315520010	Bromine pellets	1 kg	6		
325500010	Active oxygen enhancer	1 kg	6		
515500015	PH minus powder	1.5 kg	6		
612535010	Anti-algae JET 35	1 L	6		



07 WATER BALANCE

LIQUID PH MINUS

Lowers pH.

- Doesn't generate chloride ions.
- Very high concentration of active ingredient.
- Considerably easier use compared to the powdered product.
- Recommended for injection by automated metering pump.

INSTRUCTION:

Pour 3 fl.oz. (0.1 L) pH MINUS liquid / 2600 gal. (10 m³) to lower pH of 0.5 unit, directly into the pool in front of the outlet(s), filtration on. For a highly hard water, it may be necessary to double this assay.



CODE	DESCRIPTION	CONTENTS	PACKING	WEIGHT	VOLUME
				kg	m ³
512000070	Liquid PH minus	5 L	4		
512000280	Liquid PH minus	20 L	1		

PH MINUS POWDER

Lowers pH.

- Safer use compared to the concentrated liquid product
- Powder fast dissolving.
- Compatible with all types of pool water treatment

INSTRUCTIONS:

0.3 lb. / 2600 gal. (150 g /10 m³) to lower pH of 0.2 units.

Always adjust pH in several times, filtration or recirculation mode, in increments of 0.2 pH unit intervals of 2 hours, without any bathers.



CODE	DESCRIPTION	CONTENTS	PACKING	WEIGHT	VOLUME
				kg	m ³
515000050	PH minus powder	5 kg	6		
515000250	PH minus powder	25 kg	1		

LIQUID PH PLUS

Raises pH.

- Very high concentration of active ingredient.

- Recommended for injection by automated metering pump.

INSTRUCTION:

Pour 3 fl.oz. (0.1 L) pH PLUS liquid / 2600 gal. (10 m3) to raise pH of 0.5 unit, directly into the pool in front of the outlet(s), filtration on.



CODE	DESCRIPTION	CONTENTS	PACKING	WEIGHT	VOLUME
				kg	m ³
522000070	Liquid PH plus	5 L	4		
522000250	Liquid PH plus	20 L	1		

PH PLUS POWDER

Raises pH.

- Safer use compared to the concentrated liquid product

- Powder fast dissolving.

- Compatible with all types of pool water treatment

INSTRUCTIONS:

0.4 lb. / 2600 gal. (200 g /10 m3) to raise pH of 0.2 units. Always adjust pH in several times, filtration or recirculation mode, in increments of 0.2 pH unit intervals of 2 hours, without any bathers.



CODE	DESCRIPTION	CONTENTS	PACKING	WEIGHT	VOLUME
				kg	m ³
525000050	PH plus powder	5 kg	4		
525000250	PH plus powder	25 kg	1		

ALCAFIX RAISES FULL ALKALINITY

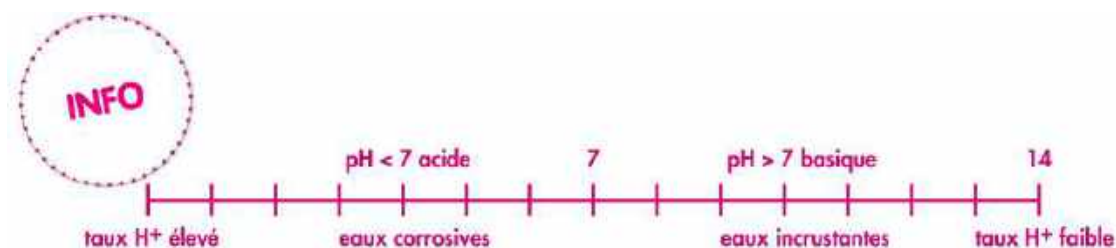
ALCAFIX prevents any sudden changes in pH by increasing the alkalinity of the water.

The water alkalinity is measured by the TA*.

- If TA is too low (below 100 ppm), water balance is unstable, pH drops down at any pH MINUS add, then raises up by itself a few hours later.
- If the TA is too high (above 300 ppm), pH MINUS will lower both the TA and pH.
- Completely safe product

INSTRUCTIONS:

Provide 0.4 lb. / 2600 gal.(200g for 10 m³) to increase the TA by 10 ppm, directly into the pool in front of the outlet(s), filtration on.



The pH is measured on a scale of 0 to 14. The pH expresses the H⁺ ion concentration free. In the pool, we seek to maintain the pH between 7.0 and 7.5 for two reasons:

- bather comfort: non-irritating water to the skin and eye (pH 7.3)
- effective disinfection.

Chemical corrections pH with acidic pH MINUS or pH PLUS base influencing element dissolved in water such as Calcium, Magnesium d minerals...

These elements determine the hardness (TH) and alkalinity (TAC) and a natural balance often restored through the use of ALCAFIX.

RELATIONSHIP

Chlorine / pH

Dissolved in the pool, the chlorine produced two chemical forms associated:

- ion ClO⁻ hypochlorite, which has no or very little faster disinfectant action,
- hypochlorous acid HClO, which is the powerful disinfectant called chlorine.

To the extent permitted by regulation (pH between 6.9 and 7.7) must be below pH 7.5 to benefit from active chlorine levels higher.

The stabilized chlorine do not react exactly as this relationship chlorine / pH because the stabilizing rate



CODE	DESCRIPTION	CONTENTS	PACKING	WEIGHT	VOLUME
				kg	m ³
535000050	Alcafix raises full alkalinity	5 L	4		
535000250	Alcafix raises full alkalinity	25 L	1		

08 FILTERING SUPPLY

FLOCCULANT CARTRIDGE

Improves sand filtration skill.

- Clarifies murky water by gathering suspended particles.
- Suitable for all sand filter equipment.

INSTRUCTIONS:

Every 10 to 15 days, a cartridge for 6600 gal. (25 m³) in the pump prefilter or in the skimmer basket after a filter washing. Best results are obtained when the pH is below 7.4.



CODE	DESCRIPTION	CONTENTS	PACKING	WEIGHT	VOLUME
				kg	m ³
555008010	Flocculant cartridge	1 kg / 8 cart	12		

FLOCCULANT POWDER

Improves sand filtration skill.

- Clarifies murky water by gathering suspended particles.
- Suitable for all sand filter equipment.

INSTRUCTIONS:

Provide 0.4 lb. per 2600 gal. (200 g per 10 m³). Dissolve directly in a watering can (with warm water) and spread the solution around the pool. Recommended pH: lower than 7.4. In the hours following: the water gets clearer because the sand filter collected gathered impurities with flocculant: clean the filter with a back wash followed by rinsing.



CODE	DESCRIPTION	CONTENTS	PACKING	WEIGHT	VOLUME
				kg	m ³
555000050	Flocculant powder	5 L	4		
555000250	Flocculant powder	25 L	1		

LIQUID FLOCCULANT

Clarifies pool water.

- Ready to use, the use is easier than powder products.
- Effective for any pH between 6.9 and 7.8.
- Suitable for all sand filtration equipment.

INSTRUCTIONS:

USING ADVICE, FAMILIAL POOLS

If high turbidity or after a shock chlorination, provide 7 fl. oz. / 2600 gal. (0.2 L / 10m³). Stop the filter, dilute the liquid flocculant in a watering can and spread around the pool. Leave operate 1/2 day, the reaction will create a gray flocculent precipitate to the bottom.

Take off these dirt with the pool vacuum rejecting directly to the drain without going through the filter. Then adjust the water level of the pool

USING ADVICE, COLLECTIVE POOLS

Liquid flocculant is injected by metering pump 24H/24 upstream of the sand filter. Use non diluted liquid flocculant from the can, or diluted up to 25% maximum.

For indoor pool: 3 fl. oz, to 13 fl.oz. / 260 000 gal. (0.1 to 0.4 L / 1000 m³)recycled flow by day For outdoor pool: 6 fl. oz, to 26 fl.oz / 260 000 gal. (0.2 to 0.8 L / 1000 m³) recycled flow by day.



CODE	DESCRIPTION	CONTENTS	PACKING	WEIGHT	VOLUME
				kg	m ³
552000050	Liquid flocculant	5 L	4		
552000200	Liquid flocculant	20 L	1		

09 SPECIALIST

MÉTALFIX

Curative and preventive against soiling of dissolved metals.

Metals occur naturally in the water, even a little, such as copper, iron or manganese, are oxidized by the disinfecting treatments, which colored waters. MÉTALFIX, by sequestering metal ions, delays or prevents these problems.

INSTRUCTIONS:

Pour 2.2 lb. of powder MÉTALFIX / 15.000 gal. (1 kg / 50 m³) at the first filling.

Then add MÉTALFIX, in the same proportion, depending on the volume of fresh water intake.

NOTE: for a higher metal content than 1ppm, double dosing.

The pH is measured on a scale of 0 to 14.

The pH expresses the H⁺ ion concentration free.

In the pool, we seek to maintain the pH between 7.0 and 7.5 for two reasons:

- bather comfort: non-irritating water to the skin and eye (pH 7.3)
- effective disinfection.

Chemical corrections pH with acidic pH MINUS or pH PLUS base influencing element dissolved in water such as Calcium, Magnesium d minerals...

These elements determine the hardness (TH) and alkalinity (TAC) and a natural balance often restored through the use of ALCAFIX.



RELATIONSHIP

Chlorine / pH

Dissolved in the pool, the chlorine produced two chemical forms associated:

- ion ClO⁻ hypochlorite, which has no or very little faster disinfectant action,
- hypochlorous acid HClO, which is the powerful disinfectant called chlorine.

To the extent permitted by regulation (pH between 6.9 and 7.7) must be below pH 7.5 to benefit from active chlorine levels higher.

The stabilized chlorine do not react exactly as this relationship chlorine/pH because the stabilizing rate



CODE	DESCRIPTION	CONTENTS	PACKING	WEIGHT	VOLUME
				kg	m ³
58500020	Metalfix	2 L	6		

ANTICAL

Prevents inlay of dissolved minerals. Particularly limestone and metal deposits.

INSTRUCTIONS:

At first filling, add 33fl. oz. / 5200 gal. (1 L / 20 m³) of water.

In maintenance treatment, add ANTICAL according to the volume of fresh water added.

For "hard" scale-forming waters whose TH is higher than 300 ppm, plan to double this dosage, or 33fl. oz. / 2600 gal. (1 L / 10 m³) of water.



CODE	DESCRIPTION	CONTENTS	PACKING	WEIGHT	VOLUME
				kg	m ³
572000050	ANTICAL	5 L	4		
572000200	ANTICAL	20 L	1		



10 ANTI-ALGAE

JET 30

Strong anti-algae for agitated waters.

- Non-foaming.
- clarifying effect.

INSTRUCTIONS:

Initial treatment

17 fl. oz. / 7900 gal. (1/2 L Jet 30/30 m3) of water.

Each week during the season:

8 fl. oz. / 7900 gal. (1/4 L of Jet 30/30 m3) of water.



CODE	DESCRIPTION	CONTENTS	PACKING	WEIGHT	VOLUME
				kg	m ³
622030050	JET 30 Anti-algae	5 L	4		
622030200	JET 30 Anti-algae	20 L	1		

QT 20

Prevention, fights against algae proliferation.

- Compatible with any type of filtration.
- Efficient whatever the pH of the treated water.

INSTRUCTIONS:

Initial treatment

17 fl. oz. / 7900 gal. (1/2 L QT20/20 m3) of water.

Each week during the season:

8 fl. oz. / 7900 gal. (1/4 L of QT20/20 m3) of water.



CODE	DESCRIPTION	CONTENTS	PACKING	WEIGHT	VOLUME
				kg	m ³
632020050	QT 20 Anti-algae	5 L	4		
632020200	QT 20 Anti-algae	20 L	1		

JET 35 TRIPLE ACTION

Three preventive functions + healing.

Jet 35 fight against algae, against scale and against rust stains.

- Multi functional Anti-algae, it destroys algae, taking away their food.
- Prevents lime and metals deposits.
- Non-foaming, clarifying effect, curative effect.
- Fits with any disinfectant treatment pool.



INSTRUCTIONS:

Preventive treatment before filling the pool:

The pool being empty and clean, sprinkle walls with Jet 35 diluted (1/10).

Insist on: skimmers, overflow drains, main drains, outlets and between tiles.

If possible, leave to work one hour before filling the pool.

Maintenance treatment during the season:

17 fl. oz. / 9000 gal. (1/2 L of Jet 35/35 m³) every 15 days, as preventive maintenance.

CODE	DESCRIPTION	CONTENTS	PACKING	WEIGHT	VOLUME
				kg	m ³
612035050	JET 35 Anti-algae	5 L	4		
612035200	JET 35 Anti-algae	20 L	1		

ALGIFIX

Destroys algae and mold:

- Fast dissolving powder.
- High copper remanence algaecide.

INSTRUCTIONS:

Preventive use: 1 lb. / 2600 gal. (30 g ALGI'FIX per 10m³)

Dilute ALGI'FIX and pour the solution into the pool in front of the outlets, filtration, without any bathers.



CODE	DESCRIPTION	CONTENTS	PACKING	WEIGHT	VOLUME
				kg	m ³
602010010	Algifix	1 kg	6		
602010250	Algifix	25 kg	1		

ALGI-STOP 3

Preventive and curative effect against resistant algae

- Effective whatever the pH
- Compatible with any type of disinfection except PHMB
- Doesn't alter the pH of the water to be treated

INSTRUCTIONS:

Provide 8 fl. oz. / 6600 gal. (250 ml / 25m³). Repeat treatment up to once a month.

In case of strong presence of algae or seaweed mustard, use the Algi-stop 3 24 hours after a shock treatment or active oxygen.



CODE	DESCRIPTION	CONTENTS	PACKING	WEIGHT	VOLUME
				kg	m ³
327000010	Algi-stop 3	1 L	6		
327000030	Algi-stop 3	3 L	8		
327000050	Algi-stop 3	5 L	4		

ANTI-PHOSPHATE PRO

Removes phosphate, thus depriving the algae of their favorite food!

Compatible with any type of disinfection and all filtration equipment.

Associates, as diluted with complementary treatments used in pool.

Active even in case of unbalanced pH, doesn't alter the pH of the water.

INSTRUCTIONS:

Pour ANTI-PHOSPHATE PRO directly into the pool without bathers.

A quarter gal. destroys 1.5 ppm of phosphate in 15.000 gal. of water.

(1 L destroys 1.5 ppm) in 50 m³ of water).

As a precaution, use 3 fl. oz. / 15 000 gal. weekly (0,1L / 50 m³) to maintain the rate of phosphate lower than 0.5 ppm

WHAT ABOUT PHOSPHATES

Phosphates are the element that allows algae to grow. Use a specific product to eliminate it eliminates food algae.



CODE	DESCRIPTION	CONTENTS	PACKING	WEIGHT	VOLUME
				kg	m ³
591000050	Anti-phosphate pro	5 L	4		

11 WALL CLEANING

POOL WALLS CLEANING EXTRA

Strong descaling product for intensive bottom and walls cleaning.

- Coverings technical cleaner: tiling, liner, polyester.
- Powerful multi acid formula, much safer than hydrochloric acid.

INSTRUCTIONS:

Sprinkle with water surfaces to be cleaned. Use OVY'SOL EXTRA pure or diluted to 1 for 30 of water. Leave to work for 5 to 10 minutes after applying the product. Rinse thoroughly. Start by rubbing lasting stains. On aluminum, chrome, stainless steel and enamel, scrub and rinse immediately.

IMPORTANT:

OVY'SOL EXTRA is very powerful: always check compatibility on a test surface prior to application on synthetic materials, in particular sponges and synthetic brushes which are damaged by acid. Use natural sponges and brushes made of natural fibers.

Wear protective gloves and rinse the equipment after use.



CODE	DESCRIPTION	CONTENTS	PACKING	WEIGHT	VOLUME
				kg	m ³
712000050	Pool walls cleaner	5 L	4		
712000200	Pool walls cleaner	20 L	1		

NET BORD GEL

Cleans the waterline against fat and scale

- Double solvent and descaling functions against dirt.
- All pools coverings: tiling, liner, polyester.

INSTRUCTIONS:

Use NET'BORD GEL pure for direct application to the walls previously moistened. Leave it work for 5 to 10 minutes. Wipe the dissolved dirt. Rinse thoroughly with the pool water.

Warning: scrub and rinse immediately on aluminum, chrome, stainless steel and enamel.

IMPORTANT:

NET'BORD GEL is very powerful: always check compatibility on a test surface prior to application on synthetic materials, in particular synthetic sponges and synthetic bristle brushes are damaged by acid. Use natural sponges and brushes made of natural fibers. Wear protective gloves and rinse the equipment after use.



CODE	DESCRIPTION	CONTENTS	PACKING	WEIGHT	VOLUME
				kg	m ³
783000010	Net bord gel Pool wall cleaner	1 L	6		
783000050	Net bord gel Pool wall cleaner	5 L	4		

NET BORD LIQUIDE

Ideal for cleaning the water line.

- All pools coverings: tiling, liner, polyester.



CODE	DESCRIPTION	CONTENTS	PACKING	WEIGHT	VOLUME
				kg	m ³
782000010	Net bord liquide	1 L	6		
782000050	Net bord liquide	5 L	4		

12 FLOATING POOL COVER CLEANING



Maintenance products especially adapted to the floating pool cover.

- NETTOYANT RIDEAU is suitable for plastic surfaces, tiles, wood or glass.

INSTRUCTIONS:

Use pure NETTOYANT RIDEAU, sprayed on the floating pool cover.

Rub and let stand 5 to 10 minutes. Blot the excess product and rinse thoroughly.



CODE	DESCRIPTION	CONTENTS	PACKING	WEIGHT	VOLUME
				kg	m ³
743000050	Pool cover cleaner	5 L	4		

13 FILTER CARE

Cleans sand filters, diatoms filters and cartridge filters.

- Easy to use thanks to its blue color.
- Powerful formula against limescale and dirt accumulated in the filter media.

Using advise for sand filter:

- Family Pool: 33 fl. oz. for 165 lb. (1 L DETARTRANT FILTRE for 75 kg) of filter material.
- Commercial pools: 5 gal. for 4400 lb. to 6600 lb. (20 liters for 2-3000 kg) of filter material.



Make a back wash and stop the filtration in this position.

Pour DETARTRANT FILTRE in the pump prefilter and run a short operation of the pump (a few seconds), just to disperse the product in the filter material. Filtration off, let the product act at least one hour, possibly half a day.

After the cleaning action of the product, restart the back wash and rinse the filter.

Using advise for diatoms filters and cartridge filters: Sock filters and candles or cartridges will be immersed in a container filled with DETARTRANT FILTRE diluted to 10%. Leave on at least 1 hour then brush and rinse.

The use of gloves, apron, goggles is recommended.

CODE	DESCRIPTION	CONTENTS	PACKING	WEIGHT	VOLUME
				kg	m ³
772000050	Filter care	5 L	4		
772000200	Filter care	20 L	1		

14 PHOTOMETER MD-100 MODEL 5IN1



- FREE/TOTAL CHLORINE-PH-CYANURIC ACID-ALCALINITY-HARDNESS
- New MD100 photometer for public pools. Quick, precise and designed in pocket size format.
- Water resistant (analogue IP 68, 1 hour at 0.1 m)
- Scroll Memory calibration display, illuminated screen, automatic shut-off, memory function, date & time, suitable for tests and measurements.
- It is not necessary to repeat the zero calibration before every analysis.
- The zero value is memorized (One Time Zero - OTZ).
- If required, it is possible to make a new zero calibration at any time.
- For public pools.

CODE		DESCRIPTION
700100200	SPARE PARTS	Photometer md-100
700100202		Cuvette kit
700100205		Tablets dpd-1 box 500
700100206		Tablets dpd-3 box 500
700100208		Tablets dpd-4 box 500
700100207		Phenol-red tablets box 500 NR
700100221		Tablets Hardness box 100 NR
700100223		Tablets Cyanuric acid 100 NR
700100225		Tablets Alcalinity box 100 NR

15 POOL-TESTER CL-PH

- Dpd-1 free chlorine (20 tablets) • Phenol red ph (20 tablets)
- Calorimetric dial gauge
- Instruction sheet
- For private pools.



CODE		DESCRIPTION
700100103	SPARE PARTS	Pool-tester cl-ph
700100111		Tablets dpd-1 box 500
700100113		Phenol tablets box 500

16 CHLORINE AND PH TEST KIT

- Supplied in a case.
- Liquid reagents for easy control of swimming pool chlorine and pH.



CODE	DESCRIPTION	PACKING	WEIGHT	VOLUME
			kg	m ³
CL-105	Chlorine and ph test kit	72	11.5	0.03
CL-106	Test kit refill bottle	144	8.0	0.017



08 CHEMICAL DOSING EQUIPMENT

INDEX

01	PERISTALTIC DOSING PUMPS	236
02	SOLENOID DRIVEN DOSING PUMPS	250
03	PRE-ASSEMBLED PANELS	268
04	CONTROLLERS AND ANALYSERS	282
05	SPARE PARTS AND ACCESSORIES	288
06	HEAVYDUTY CHLORINE FEEDER	303
07	STANDARD CHLORINE FEEDER	304
08	FLOATING DISPENSERS	305

01 PERISTALTIC DOSING PUMPS

SIMPOOL POOL-T

CONTEXT OF USE:

- For private pools with a volume up to 200 cu. m, to dose chlorine or other liquid disinfectants upon activation of the recirculation pump.

DESCRIPTION:

- Digital peristaltic pump for dosing chemicals for pools (chlorine, Hydrogen peroxide, flocculant, anti-algae).
- Relay or cycle mode programmable functioning.
- Inhibit input with specific cable to activate and allow the dosing (to be connected to ricirculation pump).
- The pump comes with kit and accessories for a correct installation (collar excluded).

TECHNICAL FEATURES:

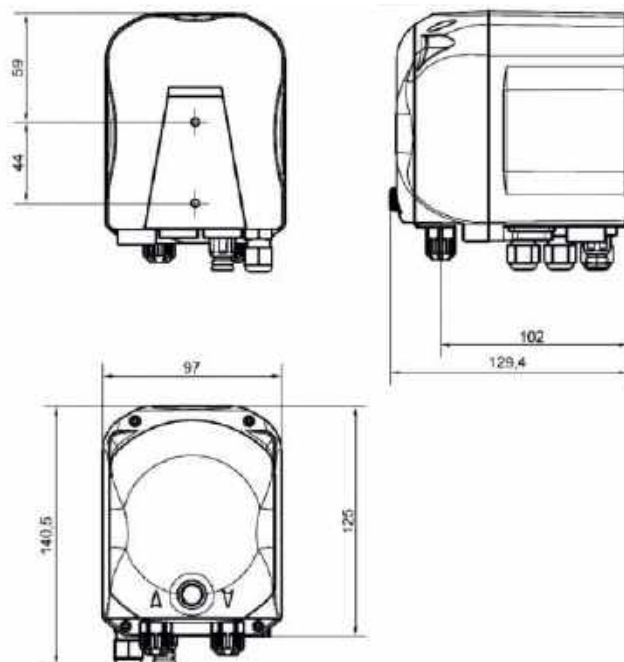
- Power supply: standard 230 VAC
- Absorption: 15 WATT (max)
- Level inputs: standard
- INHIBIT inputs: 230 VAC to activate and allow the dosing (circulation pump)
- Switch: on/off/prime

STANDARDS:

- No. 2004/108/CE EMC directive
- No. 2006/95/CE "DBT low voltage directive"
- No. 2011/65/UE, 2002/96/CE "RoHS and WEEE directives"

PACKAGE SIZE: (LXHXW)

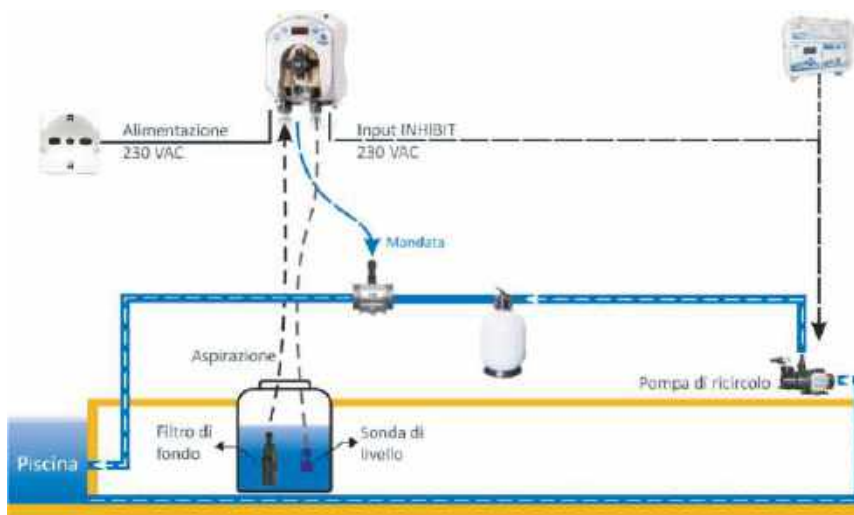
250x145x265 mm



INSTALLATION KIT

	Wall fixing bracket ADSP8000025		Foot filter 4x6 ADSP6000001
	Tubo in PVC Ø4x6, 4m ADSP6000551		G1/2" Duckbill injection valve ADSP6000049
	Wall plugs and screws ADSP6000041		

INSTALLATION EXAMPLE



CODE	POWER	FLOW RATE	PRESSURE	WATT	PIPE	PACKING	WEIGHT	VOLUME
		l/h	bar				kg	m ³
ADD91V4010000000	230V AC	1.4	1	10	SANTOPRENE	1	2.33	0.01
ADD9003010000000	230V AC	3	1	10	SANTOPRENE	1	2.33	0.01

SIMPOOL TIMER

CONTEXT OF USE:

- For private pools with a volume up to 200 cu. m, for timed dosing of chlorine or other liquid disinfectants with built-in timer

DESCRIPTION:

- Digital peristaltic pump with in-built timer for dosing chemicals for pools, with daily and weekly programmable dosing.
- Ideal for the dosing of chlorine, hydrogen peroxide, flocculant and anti-algae.
- Inhibit input to allow the dosing (which can be deactivated if required)
- The pump comes with kit and accessories for a correct installation (collar excluded). Technical

FEATURES:

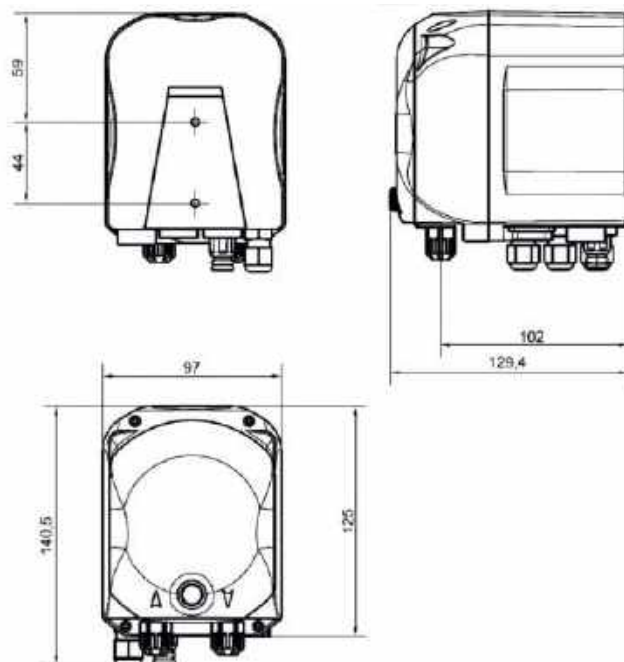
- Power supply: standard 230 VAC
- Absorption: 15 WATT (max)
- Level inputs: standard
- INHIBIT inputs: 230 VAC to activate and allow the dosing (circulation pump)
- Switch: on/off/prime

STANDARDS:

- No. 2004/108/CE EMC directive
- No. 2006/95/CE "DBT low voltage directive"
- No. 2011/65/UE, 2002/96/CE "RoHS and WEEE directives"

PACKAGE SIZE: (LXHXW)

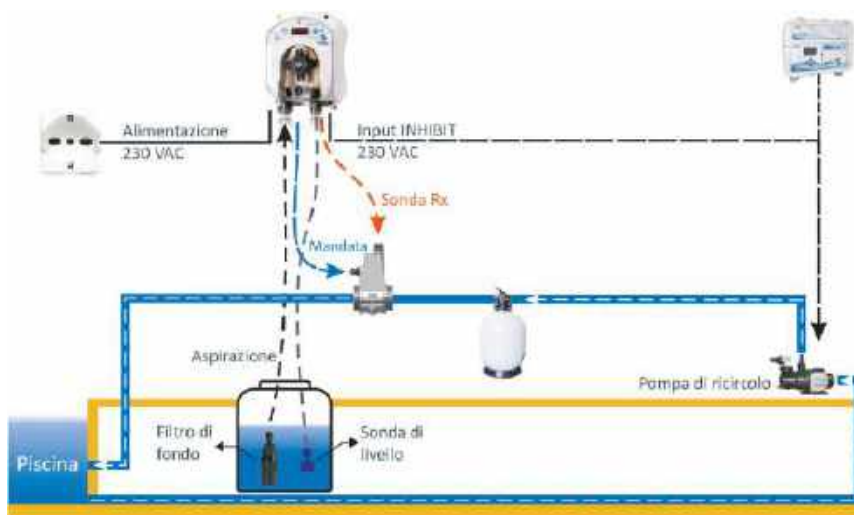
250x145x265 mm



INSTALLATION KIT

	Wall fixing bracket ADSP8000025		Foot filter 4x6 ADSP6000001
	Tubo in PVC Ø4x6, 4m ADSP6000551		G1/2" Duckbill injection valve ADSP6000049
	Wall plugs and screws ADSP6000041		

INSTALLATION EXAMPLE



CODE	POWER	FLOW RATE	PRESSURE	WATT	PIPE	PACKING	WEIGHT	VOLUME
		l/h	bar				kg	m ³
ADD81V40100C0000	230V AC	1.4	1	10	SANTOPRENE	1	2.33	0.01
ADD80030100C0000	230V AC	3	1	10	SANTOPRENE	1	2.33	0.01

SIMPOOL PH

CONTEXT OF USE:

- For private pools up to 200 cu. m for dosing the acid or alkaline corrector with the built-in pH tool.

DESCRIPTION:

- Digital peristaltic pump with built-in pH instrument
- Easy, precise and flexible use.
- Digital display switched on even without circulation flow, flow presence/absence control through a connection to the recirculation pump (Inhibit).
- Level probe compatible.
- The kit includes: pH electrode, 4 m suction/injection pipe, 2 pH buffer solutions to calibrate the electrode, wall fixing bracket and dowels, 2in1 electrode holder collar and product injection suitable for DN50-63 ADPSTC pipes, foot filter.
- Upon request, the temperature-reading compatible version is available (temperature probe not included).

TECHNICAL FEATURES:

- Power supply: standard 230 VAC - 15 WATT (max)
- Level inputs: standard
- INHIBIT inputs: 230 VAC to activate and allow the dosing (circulation pump)
- Switch: on/off/prime

LIGHT MODEL

- Range 0-14 pH (Adjustable range alarm)
- Pause mode

PRO MODEL

- Reduced Range 5-9pH (specific for Swimming Pool use)
- Temperature probe connection*
- Range/Maintenance/ OFA/Temperature alarm
- Statistics: Average pH measurement
- Buzzer

STANDARDS:

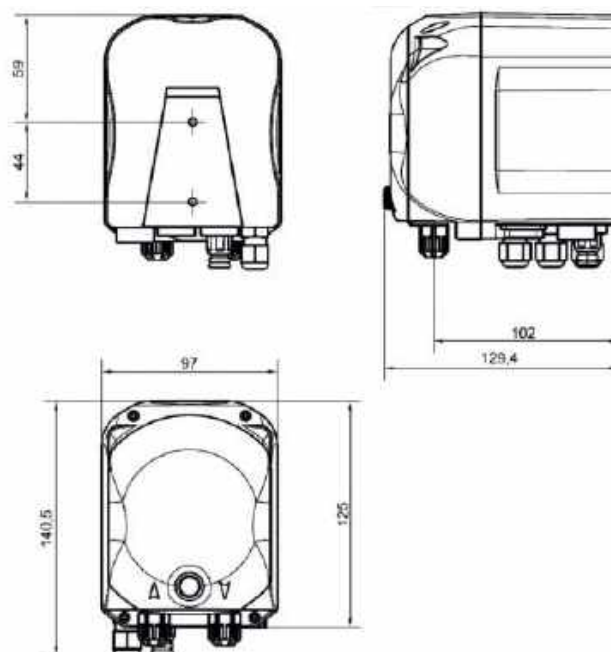
- No. 2004/108/CE EMC directive
- No. 2006/95/CE "DBT low voltage directive"
- No. 2011/65/UE, 2002/96/CE "RoHS and WEEE directives"

PACKAGE SIZE: (LXHxW)

250x145x265 mm



+(Ph kit)

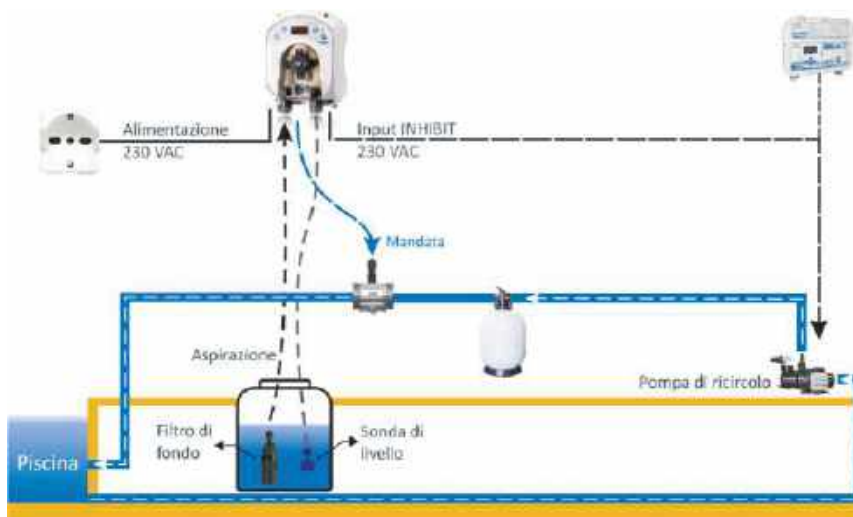



INSTALLATION KIT

	2 in1 injection probe holder ADPSTC		Foot filter 4x6 ADSP6000001
	pH electrode with 5m cable ADELTPH05		Drilling tip cone Ø24 ADSP6000593
	Tubo in PVC Ø4x6, 4m ADSP6000551		pH4 and pH7 buffer solutions ADSPH4 - ADSPH7
	Wall fixing bracket ADSP8000025		Empty bottle to wash the pH probe ADSP4000020
	Wall plugs and screws ADSP6000041		

08

INSTALLATION EXAMPLE



CODE	MODEL	POWER	FLOW RATE	PRESSURE	WATT	PIPE	PACKING	WEIGHT	VOLUME
			l/h	bar				kg	m ³
ADS11401000A00W	SIMPOOL pH	230V AC	1.4	1	15	SANTOPRENE	1	2.33	0.01
ADS00301000A000	SIMPOOL pH	230V AC	3	1	15	SANTOPRENE	1	2.33	0.01
ADD31V401000A000	SIMPOOL PRO pH-Temp*	230V AC	1.4	1	15	SANTOPRENE	1	2.33	0.01
ADD300301000A000	SIMPOOL PRO pH-Temp*	230V AC	3	1	15	SANTOPRENE	1	2.33	0.01

SIMPOOL RX

CONTEXT OF USE:

- For private pools with a volume up to 200 cu. m, for timed dosing of chlorine or other liquid disinfectants depending on the Rx potential read through the built-in tool.

DESCRIPTION:

- Digital peristaltic pump with built-in Rx instrument
- Ideal for the proportional dosing of chlorine and other disinfectants for the pool.
- Easy, precise and flexible use.
- Digital display switched on even without circulation flow, flow presence/absence control through a connection to the recirculation pump (Inhibit).
- Level probe compatible.
- The kit includes: Rx electrode, 4 m suction/injection pipe, 1 mV buffer solution to calibrate the electrode, wall fixing bracket and dowels, 2in1 electrode holder collar and product injection suitable for DN50-63 ADPSTC pipes, foot filter.

TECHNICAL FEATURES:

- Power supply: standard 230 VAC - 15 WATT (max)
- Level inputs: standard
- INHIBIT inputs: 230 VAC to activate and allow the dosing (circulation pump)
- Switch: on/off/prime
- Probe type: Rx electrode

LIGHT MODEL

- Range 0-999 mV (Adjustable range alarm)
- Pause mode

PRO MODEL

- Reduced Range 500-900 mV (specific for Swimming Pool use)
- Range/Maintenance/ OFA/ alarm
- Statistics: Average mV measurement
- Buzzer

STANDARDS:

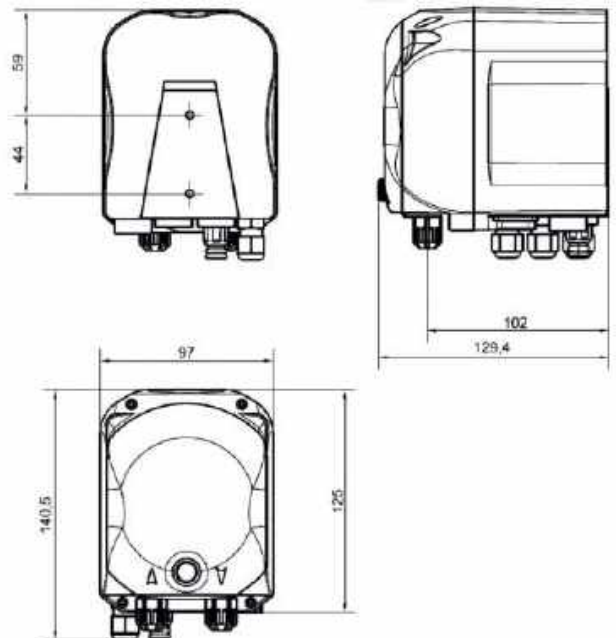
- No. 2004/108/CE EMC directive
- No. 2006/95/CE "DBT low voltage directive"
- No. 2011/65/UE, 2002/96/CE "RoHS and WEEE directives"

PACKAGE SIZE: (LXHXW)









250x145x265 mm



+(Rx  kit)

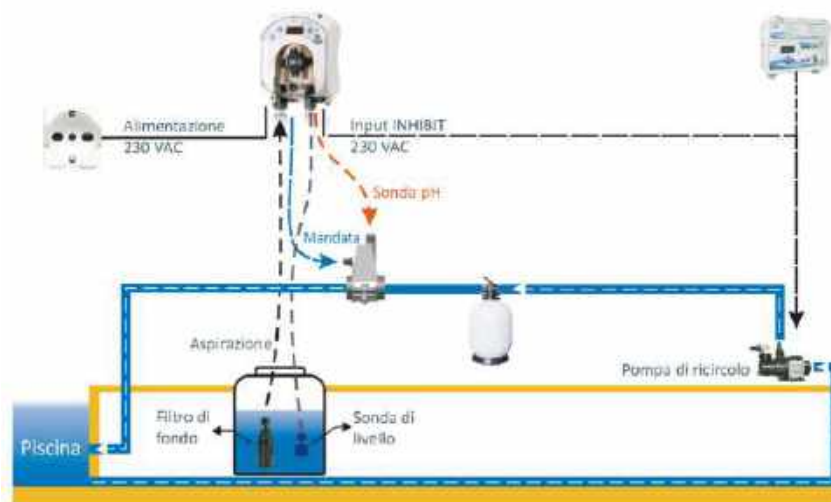


INSTALLATION KIT

	2 in1 injection probe holder ADPSTC		Foot filter 4x6 ADSP6000001
	Rx electrode with 5m cable ADELTRX05		Drilling tip cone Ø24 ADSP6000593
	Tubo in PVC Ø4x6, 4m ADSP6000551		mV 475 buffer solution ADSRX
	Wall fixing bracket ADSP8000025		Wall plugs and screws ADSP6000041

08

INSTALLATION EXAMPLE



CODE	MODEL	POWER	FLOW RATE	PRESSURE	WATT	PIPE	PACKING	WEIGHT	VOLUME
			l/h	bar				kg	m ³
ADS21V401000A000	SIMPOOL LIGHT Rx	230V AC	1.4	1	15	SANTOPRENE	1	2.33	0.01
ADS200301000A000	SIMPOOL LIGHT Rx	230V AC	3	1	15	SANTOPRENE	1	2.33	0.01
ADD21V401000A000	SIMPOOL PRO Rx	230V AC	1.4	1	15	SANTOPRENE	1	2.33	0.01
ADD200301000A000	SIMPOOL PRO Rx	230V AC	3	1	15	SANTOPRENE	1	2.33	0.01

TECHNOPOOL TT

CONTEXT OF USE:

- For the dosing of active oxygen and disinfectants in private pools.

DESCRIPTION:

- Peristaltic pump with built-in timer and temperature control (probe included) for the proportional dosing of active oxygen and disinfectants, with installation kit and equipment.
- The dosing frequency can be set on 1 hour - 24 hours / 1 day- 7 days
- High flow rate PT100 temperature probe included
- Proportionality range 22 - 28 °C
- Operating range 5 - 32 °C
- Power supply 220-230V - 50/60 Hz.
- The kit includes:
 - Suction/injection pipe
 - Wall fixing bracket and dowels
 - Temperature probe
 - 2in1 electrode holder with built-in injection valve
- Suitable for DN50-63 pipes

STANDARDS:

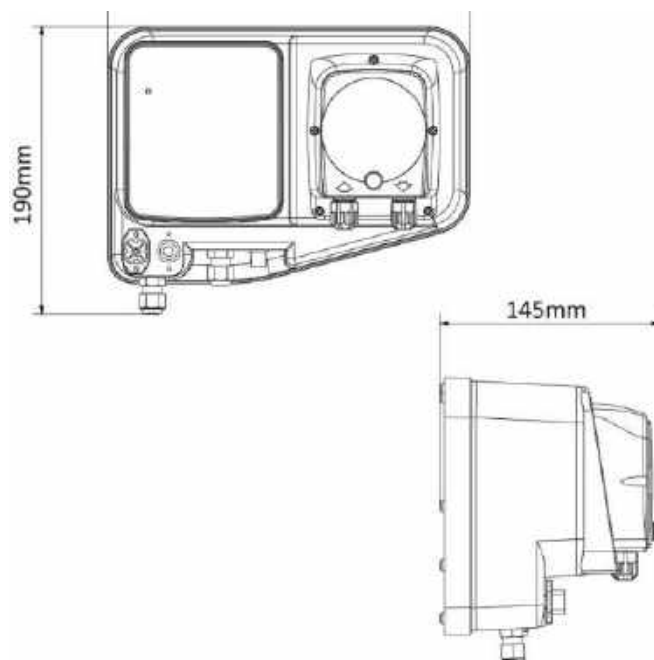
- No. 2004/108/CE EMC directive
- No. 2006/95/CE "DBT low voltage directive"
- No. 2011/65/UE, 2002/96/CE "RoHS and WEEE directives"

PACKAGE SIZE: (LXHXW)








350x160x300 mm



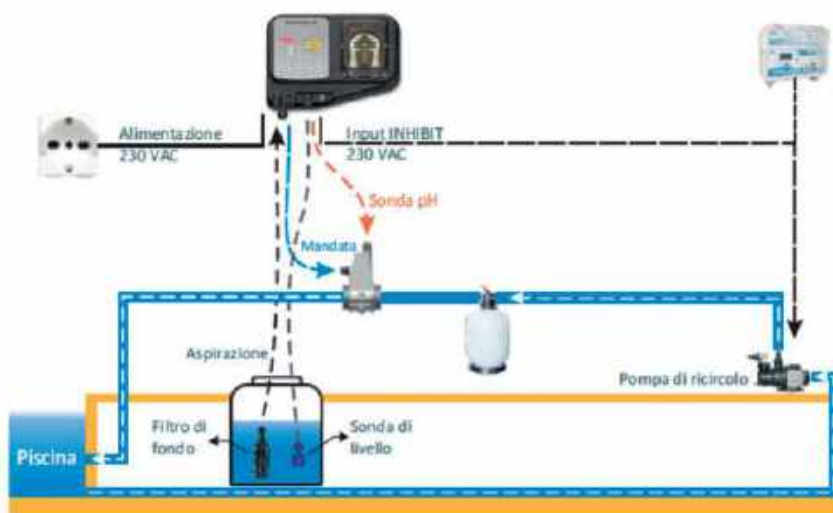
+(°C kit)



INSTALLATION KIT

	2 in1 injection probe holder ADPSTC		Foot filter 4x6 ADSP6000001
	PT100 Temp. probe ADSTS100N		Drilling tip cone Ø24 ADSP6000593
	Tubo in PVC Ø4x6, 4m ADSP6000551		Wall plugs and screws ADSP6000041
	Wall fixing bracket ADSP6020156		

INSTALLATION EXAMPLE



CODE	FLOW RATE	PRESSURE	WATT	PIPE	PACKING	WEIGHT	VOLUME
	l/h	bar				kg	m ³
AD0TT1401000A100	1.4	1	8	4 x 6	1	2.8	0.016
AD0TT0301000A100	3	1	8	4 x 6	1	2.8	0.016

TECHNOPOOL 2 PH-RX

CONTEXT OF USE:

- For private pools with double built-in pH and Rx tool, suitable for the dosing of acid/alkaline correctors depending on the pH reading, and for the dosing of chlorine or other disinfectants depending on the Rx potential reading.

DESCRIPTION:

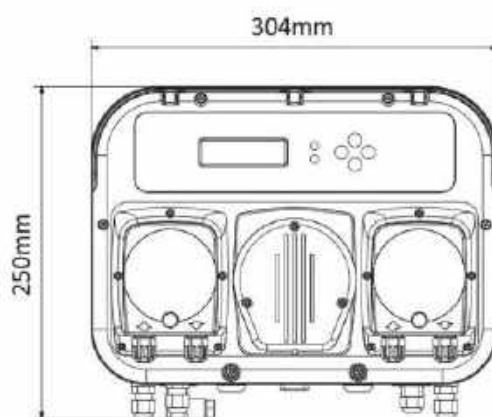
- Double peristaltic pump with pH and Rx built-in instrument to measure and adjust pH and Redox potential.
- Proportional dosing.
- Display with digital controls
- Measurement range 5-9 pH, 0-999 mV
- Acoustic alarms
- Protection password
- Power supply 220-230V 50/60Hz.
- With installation kit and equipment consists of:
 - Suction/injection pipe, buffer solutions
 - Wall fixing bracket and dowels pH and Rx electrodes
 - N°2 2-1 Probe Holder with Injection valve for tube DN50-63
 - Injection valves
 - Foot filters. (2x)
- Compatible with:
 - Level probes
 - Flow and temperature probe

STANDARDS:

- No. 2004/108/CE EMC directive
- No. 2006/95/CE "DBT low voltage directive"
- No. 2011/65/UE, 2002/96/CE "RoHS and WEEE directives"

PACKAGE SIZE: (LXHXW)

390x445x165 mm

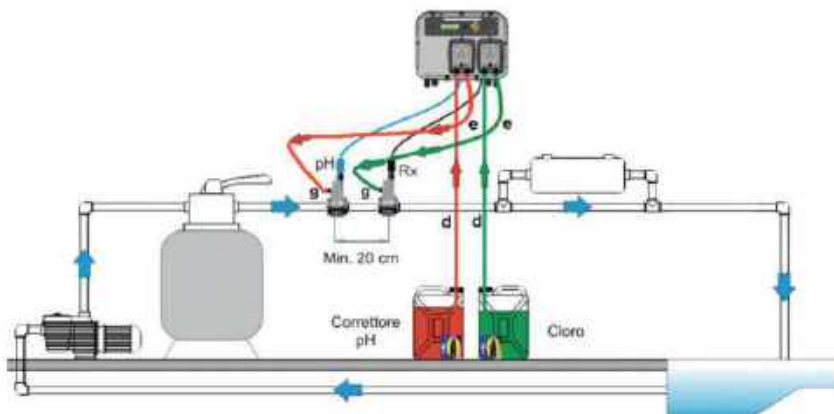


INSTALLATION KIT

	2 in1 injection probe holder ADPSTC		Foot filter 4x6 ADSP6000001
	pH electrode with 5m cable ADELTPH05		Drilling tip cone Ø24 ADSP6000593
	Rx electrode with 5m cable ADELTRX05		pH4 and pH7 buffer solutions ADSPH4 - ADSPH7
	Tubo in PVC Ø4x6, 4m ADSP6000551		mV 475 buffer solution ADSRX
	Wall fixing bracket ADSP6020156		Wall plugs and screws ADSP6000041

08

INSTALLATION EXAMPLE



CODE	FLOW RATE	PRESSURE	WATT	PIPE	PACKING	WEIGHT	VOLUME
	l/h	bar				kg	m ³
AD0T00G0G000A100	1.4 / 1.4	1	12	4 x 6	1	4.1	0.026
AD0T00G0T000A100	1.4 / 3	1	12	4 x 6	1	4.1	0.026

TECHNOPOOL 3

CONTEXT OF USE:

- For private pools with multifunctional built-in tool: pH, Temperature and Rx (upon request).
- Suitable for the dosing of acid/alkaline corrector depending on the pH reading, and for the timed dosing of the disinfectant (like Hydrogen peroxide) depending on water temperature. Also available with the built-in Rx potential reading tool, for a proportional dosing of chlorine.

DESCRIPTION:

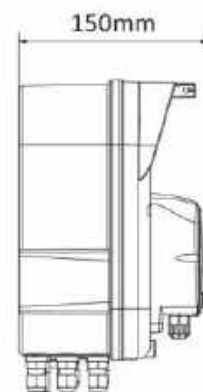
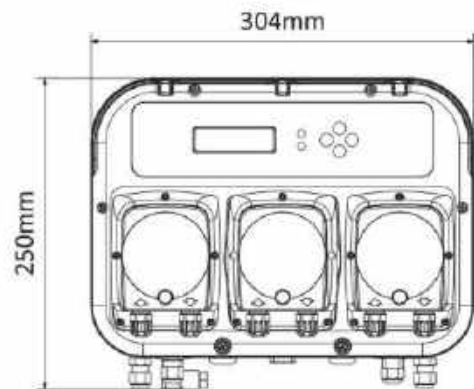
- Triple peristaltic pump with built-in timer and pH, Temperature and Redox instruments (T-pH-Rx model only).
- Acid/Alkaline corrector proportional dosing
- Timed dosing of 1-2 disinfectant products whose quantity is compensated depending on the temperature
- Disinfectant dosing proportioned to the Redox potential (T-pH-Rx model only)
- Display with digital controls.
- Acoustic alarms
- Protection password
- Level probes compatible
- Flow sensor
- Connection to the recirculation pump to allow the dosing (V1)
- Measurement range 5-9 pH, 0-999 mV.
- Power supply 220-230V 50/60Hz
- With kit and equipment for a correct installation consists of:
 - Suction/injection pipe
 - Wall fixing bracket and dowels
 - pH, temperature and Rx electrodes (Rx model only)
 - Buffer solutions
 - Probe holder collars
 - Injection valves
 - Foot filters.

STANDARDS:

- No. 2004/108/CE EMC directive
- No. 2006/95/CE "DBT low voltage directive"
- No. 2011/65/UE, 2002/96/CE "RoHS and WEEE directives"

PACKAGE SIZE: (LXHXW)

390x445x165 mm

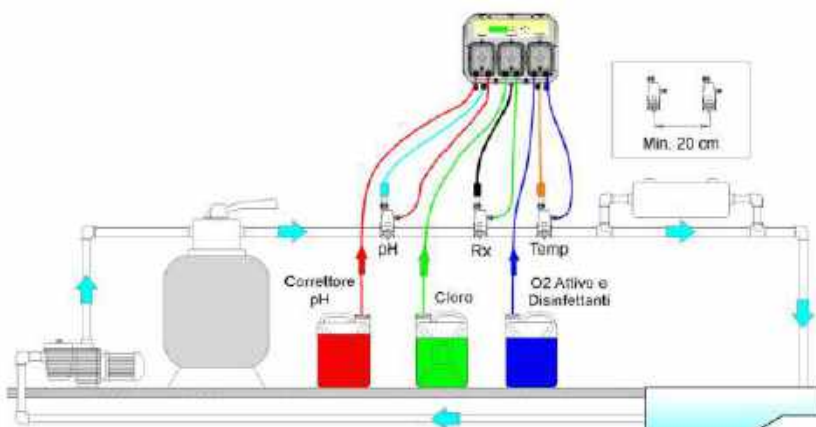


INSTALLATION KIT

	2 in1 injection probe holder ADPSTC		Foot filter 4x6 ADSP6000001
	PT100 Temp. probe ADSTS100N		Drilling tip cone Ø24 ADSP6000593
	Rx electrode pH electrode with 5m cable ADELTPH05 ADELTRX05		pH4 and pH7 buffer solutions ADSPH4 - ADSPH7
	Tubo in PVC Ø4x6, 4m ADSP6000551		mV 475 buffer solution ADSRX
	Wall fixing bracket ADSP6020156		Wall plugs and screws ADSP6000041

08

INSTALLATION EXAMPLE



CODE	MODEL	PROBES	FLOW RATE	PRESSURE	WATT	PIPE	PACKING	WEIGHT	VOLUME
			l/h	bar				kg	m ³
AD5000G0G000A100	T-PH-T	TEMP. - pH	1.4 - 1.4 - 1.4	1 - 1 - 1	25	4 x 6	1	4.33	0.028
AD4600G0G000A100	T-PH-RX	TEMP. - pH - Rx	1.4 - 1.4 - 1.4	1 - 1 - 1	25	4 x 6	1	4.33	0.028

02 SOLENOID DRIVEN DOSING PUMPS

HC 150 IMPROVED RANGE

CONTEXT OF USE:

- Constant flow rate dosing pump with pulse frequency regulation. Easy to set, with a single adjustment potentiometer and a LED.
- Upon request PI version to be used with water meter for proportional dosing of anti-mycosis
- Low level probe facility

TECHNICAL FEATURES:

	STANDARD VERSION	UPON REQUEST
Pump body	PP	PVDF
Diaphragm	PTFE	-
Balls	PYREX	PTFE; ceramic
Body valve	PP	PVDF
O-rings	Viton®	Dutral®
Spring loaded injection valve	Hastelloy/ Pyrex	Hastelloy - ceramic
Injection fitting	PP	PVDF
Foot valve	PP	PVDF
Power supply	230v	110v (Some models)

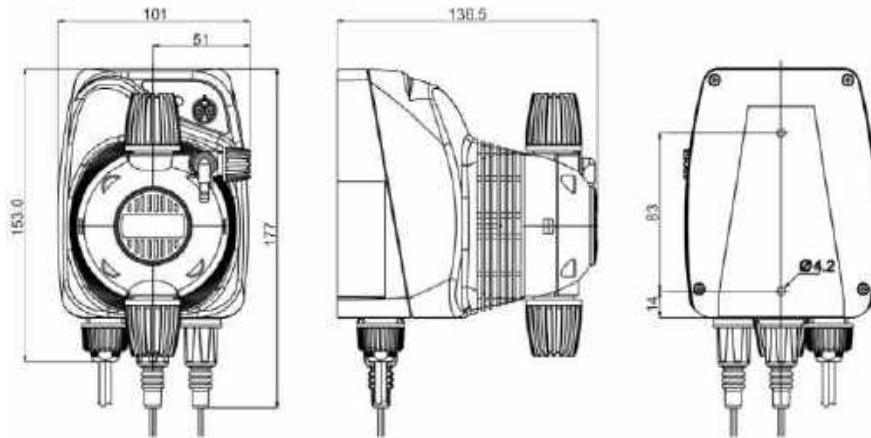
STANDARDS:

- No. 2004/108/CE EMC directive
- No. 2006/95/CE "DBT low voltage directive"
- No. 2011/65/UE, 2002/96/CE "RoHS and WEEE directives"




PACKAGE SIZE: (LXHXW)

192x160x250 mm





INSTALLATION KIT

	Wall fixing bracket ADSP6020221	 x2	PVC crystal Pipe (2m) ADSP6000546
	PE injection pipe (2 m) ADSP6000078		Foot filter 4x6 ADSP6000001
	Wall plugs and screws ADSP6000041		PP injection valve M 1/2 Gas ADSP6200007

CODE		FLOW RATE	PRES-SURE	STROKES	STROKE VOLUME	CON-SUMPTION	TUBE	PUMP HEAD	PACK-ING	WEIGHT	VOLUME
	PI version	l/h	bar	BPM/SPM	ml/colpo	WATT				kg	m ³
AD9500000000	AD9570000000	1.5	5	100	0.25	14	4 x 6	PP 1/2"	1	2.33	0.007
		2	3		0.33						
		3	1		0.50						
AD9500100000	AD9570100000	2	8	120	0.28	14	4 x 6	PP 1/2"	1	2.33	0.007
		5	5		0.69						
		7	2		0.97						
AD9501100000	AD9571100000	7	4	150	0.78	14	4 x 6	PP 1/2"	1	2.33	0.007
		8	2		0.89						
		10	0		1.11						
AD9500200000	AD9570200000	3	12	120	0.42	16	4 x 6	PP 1/2"	1	2.33	0.007
		4	10		0.56						
		5	8		0.69						
AD9501300000	AD9571300000	10	4	180	0.93	16	4 x 6	PP 1/2"	1	2.33	0.007
		12	2		1.11						
		14	0		1.30						
AD9501400000	AD9571400000	2	20	75	0.44	16	4 x 6	PP 1/2"	1	2.33	0.007
		2.5	18		0.56						
		3	15		0.67						

HC 151 PH **NEW**

CONTEXT OF USE:

- For private pools, to dose the acid/alkaline corrector with the built-in pH reading tool.

DESCRIPTION:

- Electromagnetic pump with built-in pH tool for a proportional dosing of acid/alkaline products, with installation kit and equipment.
- Dosing mode selectable in constant or proportional mode.
- Reinforced PP housing, suitable for aggressive working environments
- Input: level probe, inhibit, standby, flow sensor, injection
- Output: alarm or dosing relay
- Statistics
- Password
- Language and Unit measure selectable
- Calibration flow-rate
- Simplified setting by user menu
- Alphanumeric display, 2 lines 16 characters, to simplify pump managing, during the working mode and during the programming
- Power supply 230 Vac. Upon request: 110V;
- IP65 protection degree;
- Wall mounting bracket supplied in installation kit;
- Manual bleed valve (priming);
- Upon request PI-mA version available.

WORKING MODE:

- Constant flow-rate On/Off mode (flow rate in %)
- Self-calibration of measure probe;
- Proportional dosing to the selected setpoint value;
- Selectable Alarms: Level (with “reserve”, early warning), Flow (flow sensor input), Strokes (max number of strokes), OFA (Over Feed Alarm), RANGE.
- The kit contains:
 - Suction/injection pipe;
 - 2 pH buffer solutions to calibrate the electrode;
 - Wall fixing bracket and dowels;
 - Probe holder G½”;
 - pH electrode;
 - Foot filter and injection valve.



TECHNICAL FEATURES:

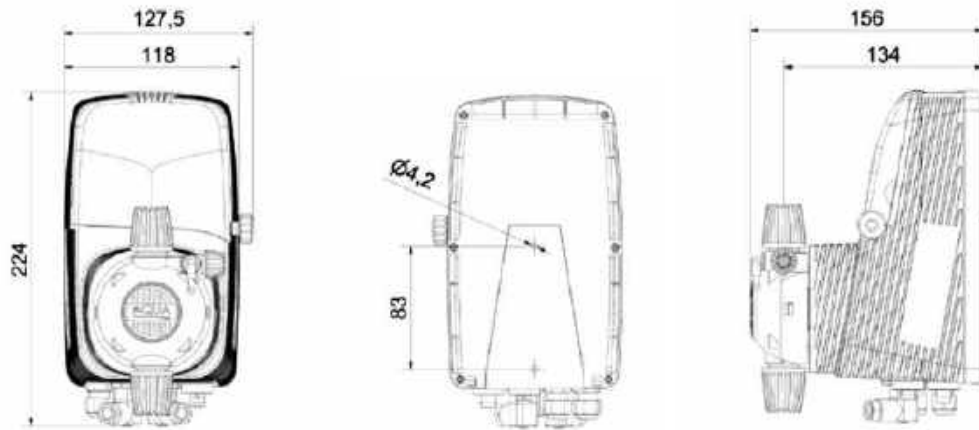
	STANDARD VERSION	UPON REQUEST
Pump body	PP	PVDF/PVC auto-bleeding
Pump housing Diaphragm	PP	-
Balls	PTFE	-
Body valve O-rings	PYREX	PTFE; ceramic
Injection ball valve (Spring)	PP	PVDF
Injection fitting	Viton®	Dutral®
Foot valve	Hastelloy/Pyrex	Hastelloy - ceramic
Power supply	PP	PVDF
Power supply	PP	PVDF
Power supply	230v	110v (Some models)

STANDARDS:

- No. 2004/108/CE EMC directive
- No. 2006/95/CE “DBT low voltage directive”
- No. 2011/65/UE, 2002/96/CE “RoHS and WEEE directives”

PACKAGE SIZE: (LXHXW)

350x160x300 mm



INSTALLATION KIT

	pH electrode with 5m cable ADELTPH05		PP Injection valve M 1/2 Gas ADSP6200007
	Wall fixing bracket ADSP6020221		pH4 and pH7 buffer solutions ADSPH4 - ADSPH7
	PE injection pipe (2 m) ADSP6000078		Threaded probe holder ADPST1
 x2	PVC crystal Pipe (2m) ADSP6000546		Foot filter 4x6 ADSP6000001
	Wall plugs and screws ADSP6000041		

CODE	FLOW RATE	PRESSURE	STROKES	STROKE VOLUME	CONSUMPTION	TUBE	PUMP HEAD	PACK-ING	WEIGHT	VOLUME
	l/h	bar	BPM/SPM	ml/colpo	WATT				kg	m ³
AD96200004000	2	8	150	0.22	14	4 x 6	PP ½"	1	3	0.016
	5	5		0.56						
	7	2		0.78						
AD96203004000	10	4	180	0.93	16	4 x 6	PP ½"	1	3	0.016
	12	2		1.11						
	14	0		1.30						
AD96209004000	20	3	300	1.11	22	4 x 6	PP ½"	1	3	0.016
	25	2		1.39						
	35	0		1.66						

HC 151 RX **NEW**

CONTEXT OF USE:

- For private pools, to dose chlorine or other disinfectants depending on the Rx potential read with the built-in tool.

DESCRIPTION:

- Electromagnetic pump with built-in Rx tool to dose the chlorine or other disinfectants with installation kit and equipment.
- Multifunction solenoid digital dosing pumps. Dosing mode selectable in constant or proportional mode.
- Reinforced PP housing, suitable for aggressive working environments;
- Input: level probe, inhibit, standby, flow sensor, injection
- Output: alarm or dosing relay;
- Statistics
- Password
- Language and Unit measure selectable
- Calibration flow-rate
- Simplified setting by user menu
- Alphanumeric display, 2 lines 16 characters, to simplify pump managing, during the working mode and during the programming
- Power supply 230 Vac. Upon request: 110V
- IP65 protection degree
- Wall mounting bracket supplied in installation kit
- Manual bleed valve (priming)
- High flow rate
- Measurement range 0-999 mV
- Level probe compatible
- Power supply 220-230V 50/60Hz
- Upon request PI-mA version available.

WORKING MODE:

- Constant flow-rate On/Off mode (flow rate in %)
- Self-calibration of measure probe
- Proportional dosing to the selected setpoint value
- Selectable Alarms: Level (with "reserve", early warning), Flow (flow sensor input), Strokes (max number of strokes), OFA (Over Feed Alarm), RANGE.



+(Rx kit)

- The kit contains
 - Suction/injection pipe;
 - mV buffer solution to calibrate the electrode;
 - Wall fixing bracket and dowels;
 - Probe holder G $\frac{1}{2}$ "
 - Rx electrode
 - Foot filter and injection valve.

TECHNICAL FEATURES:

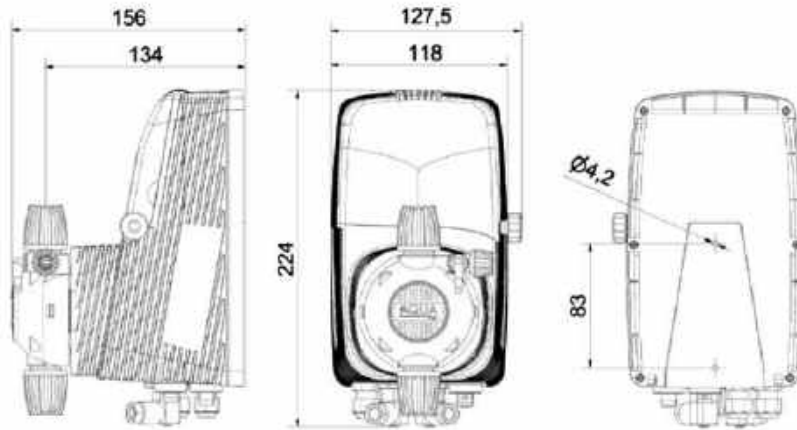
	STANDARD VERSION	UPON REQUEST
Pump body	PP	PVDF/PVC auto. bleeding
Pump housing	PP	-
Diaphragm	PTFE	-
Balls	PYREX	PTFE; ceramic
Body valve	PP	PVDF
O-rings	Viton®	Dutral®
Injection ball valve (Spring)	Hastelloy/Pyrex	Hastelloy - ceramic
Injection fitting	PP	PVDF
Foot valve	PP	PVDF
Power supply	230v	110v (Some models)

STANDARDS:










- No. 2004/108/CE EMC directive
- No. 2006/95/CE "DBT low voltage directive"
- No. 2011/65/UE, 2002/96/CE "RoHS and WEEE directives"

PACKAGE SIZE: (LXHXW)

192x160x250 mm



INSTALLATION KIT

	RX electrode with 5m cable ADELTPH05		PP Injection valve M 1/2 Gas ADSP6200007
	Wall fixing bracket ADSP6020221		mV 475 buffer solution ADSRX
	PE injection pipe (2 m) ADSP6000078		Threaded probe holder ADPST1
	PVC crystal Pipe (2m) ADSP6000546		Foot filter 4x6 ADSP6000001
	Wall plugs and screws ADSP6000041		

CODE	FLOW RATE	PRESSURE	STROKES	STROKE VOLUME	CONSUMPTION	TUBE	PUMP HEAD	PACKING	WEIGHT	VOLUME
	l/h	bar	BPM/SPM	ml/colpo	WATT				kg	m ³
AD96200005000	2	8	150	0.22	14	4 x 6	PP 1/2"	1	2.86	0.007
	5	5		0.56						
	7	2		0.78						
AD96203005000	10	4	180	0.93	16	4 x 6	PP 1/2"	1	2.86	0.007
	12	2		1.11						
	14	0		1.30						
AD96209005000	20	3	300	1.11	22	4 x 6	PP 1/2"	1	2.86	0.007
	25	2		1.39						
	35	0		1.66						

HC 897

CONTEXT OF USE:

- Constant flow rate dosing pump with pulse frequency regulation. Easy to set, with a single adjustment potentiometer and a LED. Level probe compatible

DESCRIPTION:

- Analogue electromagnetic constant flow rate dosing pump
- High-strength PBT container, suitable for high temperatures (both places and liquids)
- Level probe input
- Double pulse regulation scale 0-100% or 0-20%
- Power supply: 220VAC – 50/60Hz
- On-Off switch
- IP65 protection
- Analogue interface with one knob and a LED
- Manual priming valve
- Wall or foot mounting (brackets included in the kit)

TECHNICAL FEATURES:

- DOUBLE REGULATION SCALE 0-100% O 0-20% - precise dosing even at low flow rates
- PVDF BODY PUMP - high chemical compatibility
- FIXING BRACKET - to simplify the installation
- PBT CASE - high mechanical resistance - eco-friendly - ergonomic - low flammability
- BUILT-IN PIPE HOLDER - safe and clean installation
- REMOVABLE CONNECTIONS - easy maintenance of the pump



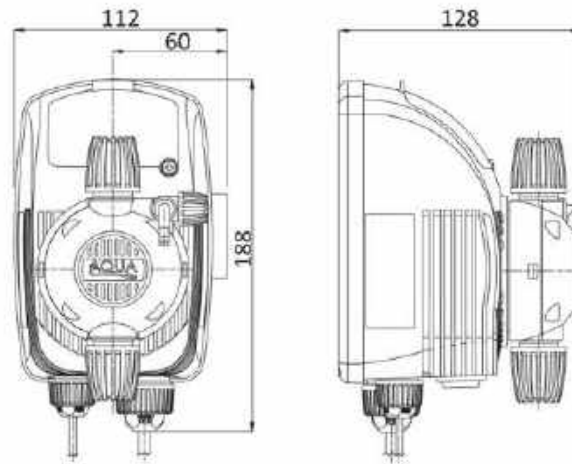
STANDARDS:

- No. 2004/108/CE EMC directive
- No. 2006/95/CE “DBT low voltage directive”
- No. 2011/65/UE, 2002/96/CE “RoHS and WEEE directives”



PACKAGE SIZE: (LXHXW)

192x160x250 mm

	STANDARD VERSION	UPON REQUEST
Pump body	PVCF	-
Diaphragm	PTFE	-
Balls	PTFE	PTFE or ceramic
Body valve	PVDF	-
O-rings	Viton®	Dutral®
Spring loaded injection valve	Hastelloy/P TFE	Hastelloy - ceramic
Injection fitting	PVDF	-
Foot valve	PVDF	-
Power supply	230v	110V



INSTALLATION KIT

	Wall fixing bracket ADSP6020221		x2	PVC crystal Pipe (2m) ADSP6000546
	Support base ADBAS100			PVDF Foot valve PVDF Injection valve ADSP6000028 ADSP6200031
	PE injection pipe (2 m) ADSP6000078			Wall plugs and screws ADSP6000041

CODE	FLOW RATE	PRESSURE	STROKES	STROKE VOLUME	CONSUMPTION	TUBE	PUMP HEAD	PACKING	WEIGHT	VOLUME
	l/h	bar	BPM/SPM	ml/colpo	WATT				kg	m ³
AD89000010000	2	8	150	0.22	15	4 x 6	PVDF ½"	1	2.86	0.007
	5	5		0.55						
	7	2		0.77						
AD89001010000	7	4	150	0.77	15	4 x 6	PVDF ½"	1	2.86	0.007
	8	2		0.88						
	10	0		1.11						
AD89002010000	3	12	150	0.33	20	4 x 6	PVDF ½"	1	2.86	0.007
	4	10		0.44						
	5	8		0.55						
AD89003010000	10	4	180	0.93	20	4 x 6	PVDF ½"	1	2.86	0.007
	12	2		1.11						
	14	0		1.29						
AD89007010000	2	20	75	0.44	20	4 x 6	PVDF ½"	1	2.86	0.007
	2.5	18		0.55						
	3	15		0.66						

HC997 PI-MA-CLK

CONTEXT OF USE:

- Multi-function dosing pump. Microprocessor, display and digital control technology. Constant functioning with flow rate regulation in pulse/minute; pulse/hour; pulse/day. Daily/weekly programmable timer.

DESCRIPTION:

- Up to 8 programmes for each day of the week. Power supply 220- 230V 50/60Hz. 110 V 50/60 Hz upon request.
- Level probe compatible. Protection password and dosing statistics control

TECHNICAL FEATURES:

- Proportional 0/4-20mA, Ppm, 1xN, 1:N, 1xN (M) Ist, 1xN (M) Prop. - Constant: Flow rate, Time, Quantity to dose, Cyclic - Timer Mode: Daily and weekly



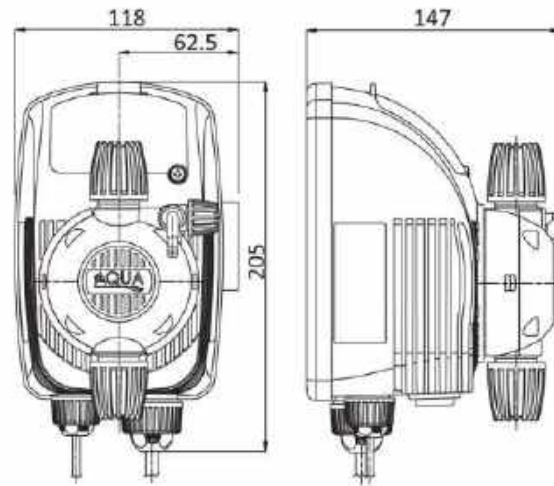
	STANDARD VERSION	UPON REQUEST
Pump body	PVCF	-
Diaphragm	PTFE	-
Balls	PTFE	PTFE or ceramic
Body valve	PVDF	-
O-rings	Viton®	Dutral®
Spring loaded injection valve	Hastelloy/P TFE	Hastelloy - ceramic
Injection fitting	PVDF	-
Foot valve	PVDF	-
Power supply	230v	110V

STANDARDS:


- No. 2004/108/CE EMC directive
- No. 2006/95/CE "DBT low voltage directive"
- No. 2011/65/UE, 2002/96/CE "RoHS and WEEE directives"

PACKAGE SIZE: (LXHXW)

192x160x250 mm



INSTALLATION KIT

	Wall fixing bracket ADSP6020221	 x2	PVC crystal Pipe (2m) ADSP6000546
	Support base ADBAS100		PVDF Foot valve PVDF Injection valve ADSP6000028 ADSP6200031
	PE injection pipe (2 m) ADSP6000078		Wall plugs and screws ADSP6000041

CODE	FLOW RATE	PRESSURE	STROKES	STROKE VOLUME	CONSUMPTION	TUBE	PUMP HEAD	PACKING	WEIGHT	VOLUME
	l/h	bar	BPM/SPM	ml/colpo	WATT				kg	m ³
AD97100010000	2	8	150	0.22	15	4 x 6	PVDF ½"	1	2.86	0.007
	5	5		0.55						
	7	2		0.77						
AD97101010000	7	4	150	0.77	15	4 x 6	PVDF ½"	1	2.86	0.007
	8	2		0.88						
	10	0		1.11						
AD97102010000	3	12	150	0.33	20	4 x 6	PVDF ½"	1	2.86	0.007
	4	10		0.44						
	5	8		0.55						
AD97103010000	10	4	180	0.93	20	4 x 6	PVDF ½"	1	2.86	0.007
	12	2		1.11						
	14	0		1.29						
AD97107010000	2	20	75	0.44	20	4 x 6	PVDF ½"	1	2.86	0.007
	2.5	18		0.55						
	3	15		0.66						

HC999 PI-MA-CLK

CONTEXT OF USE:

Multifunction HIGH FLOW RATE dosing pump. Microprocessor, display and digital control technology. Constant functioning with flow rate regulation in pulse/minute; pulse/hour; pulse/ day. Daily/weekly programmable timer.

DESCRIPTION:

- Up to 8 programmes for each day of the week.
- Power supply 220-230V 50/60Hz. 110 V 50/60 Hz upon request.
- Level probe compatible.
- Protection password and dosing statistics control

TECHNICAL FEATURES:

CODE	DESCRIPTION	MOD. 1-2	MOD. 3	MOD. 4
ADSP6000078	PE delivery tube 4x6 (2m)	✓	-	-
ADSP6000546	PVC crystal tube 4x6 (suction + bleed) (2 m)	2x	2x	-
ADSP6000370	PE delivery tube 6x8	-	2m	-
ADSP6000016	PE 10x14 delivery tube	-	-	2m
ADSP6000440	PVC 10x14 suction tube	-	-	2m
ADSP6000001	Foot filter PP 4x6	✓	✓	-
ADSP6000774	PP foot filter 10x14	-	-	✓
ADSP6200007	Injection valve ball 1/2" PP 4x6	✓	-	-
ADSP6200018	Injection valve 1/2" 6x8 Viton®	-	✓	-
ADSP6000051	Injection valve 1/2" 10X14 Viton®	-	-	✓
ADSP6020221	Wall fixing bracket	✓	✓	✓
ADSP6000041	Anchors and screws	✓	✓	✓
ADBAS100	Horizontal mounting bracket	✓	✓	✓

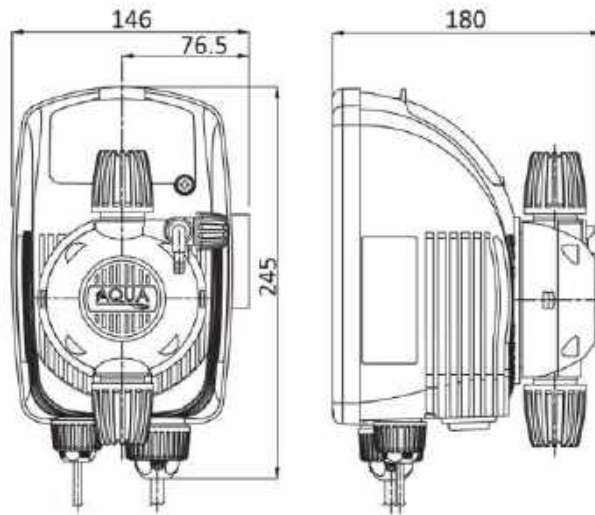
STANDARDS:

- No. 2004/108/CE EMC directive
- No. 2006/95/CE "DBT low voltage directive"
- No. 2011/65/UE, 2002/96/CE "RoHS and WEEE directives"

PACKAGE SIZE: (LXHXW)

350x160x300 mm





INSTALLATION KIT



CODE	MODEL	FLOW RATE	PRES-SURE	STROKES	STROKE VOLUME	CONSUMP-TION	TUBE	PUMP HEAD	PACKING	WEIGHT	VOLUME
		l/h	bar	BPM/SPM	ml/colpo	WATT				kg	m ³
AD99101000000	1	10	10	200	0.22	35	4 x 6	PP ½"	1	5.4	0.016
		12	8		0.55						
		14	5		0.77						
AD99102000000	2	4	20	100	0.77	35	4 x 6	PP ½"	1	5.4	0.016
		4.5	18		0.88						
		5	15		1.11						
AD99103000000	3	20	5	150	0.33	35	4 x 6 / 6 x 8	PP ½"	1	5.4	0.016
		25	3		0.44						
		35	1		0.55						
AD991040Y0000	4	35	2	150	0.93	35	10 x 14	PW ½"	1	5.4	0.016
		45	1		1.11						
		50	0.5		1.29						

HC200 PH

CONTEXT OF USE:

- For private pools, to dose the acid/alkaline corrector with the built-in pH reading tool.

DESCRIPTION:

- Electromagnetic pump with built-in pH tool for a proportional dosing of acid/alkaline products.
- High flow rate
- Mechanic run adjustment (volume injection)
- Measurement range 0-14 pH
- Level probe compatible
- Power supply 220-230V 50/60Hz.
- The kit contains:
 - Suction/injection pipe
 - mV buffer solution to calibrate the electrode
 - Wall fixing bracket and dowels
 - Collar bracket for DN50 pipe and G½" probe holder
 - pH electrode
 - Foot filter



TECHNICAL FEATURES:

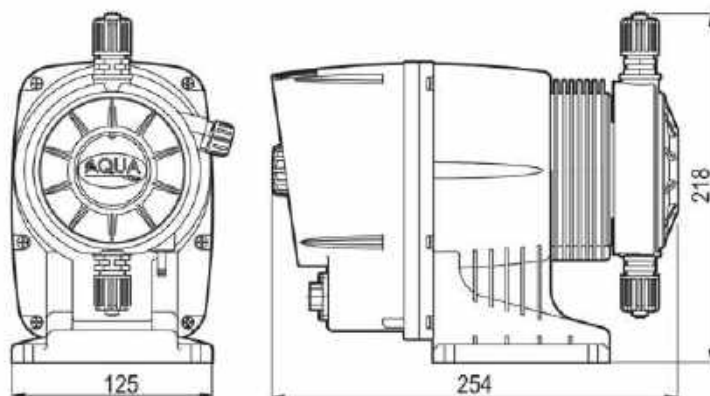
	STANDARD VERSION	UPON REQUEST
Pump body	pp	PVDC, PVC Auto. bleeding
Diaphragm	PTFE	-
Balls	PP	PTFE ; ceramic
Valve fitting	PP	PVDF
O-rings	Viton®	Dutral®
Spring loaded injection valve	Hastelloy	Hastelloy - ceramic
Injection fitting	PP	PVDF
Foot strainer	PP	PVDF
Suction and air bleed pipe	PVC	-
Delivery pipe	PE	-
Power supply	230 V	110 V

STANDARDS:



- No. 2004/108/CE EMC directive
- No. 2006/95/CE "DBT low voltage directive"
- No. 2011/65/UE, 2002/96/CE "RoHS and WEEE directives"

PACKAGE SIZE: (LXHXW)

350x160x300 mm



INSTALLATION KIT

	pH electrode with 5m cable ADELTPH05		Foot filter 4x6 ADSP6000001
	PE injection pipe (2 m) ADSP6000078		PP Injection valve M 1/2 Gas ADSP6200007
	x2 PVC crystal Pipe (2m) ADSP6000546		Threaded probe holder ADPST1
	pH4 and pH7 buffer solutions ADSPH4 - ADSPH7		

CODE	FLOW RATE	PRESSURE	STROKES	STROKE VOLUME	CONSUMPTION	TUBE	PUMP HEAD	PACKING	WEIGHT	VOLUME
	l/h	bar	BPM/SPM	ml/colpo	WATT				kg	m ³
AD2300418000P000	4	18	120	0.55	34	4 x 6	PP 3/8	1	4.75	0.016
	6.8	9		0.94						
	12	1		1.66						
AD2301010000P000	10	10	120	1.38	34	4 x 6	PP 3/8	1	4.75	0.016
	12.6	5		1.75						
	17	1		2.36						
AD2301503000P000	15	3	120	2.08	34	4 x 6	PP 3/8	1	4.75	0.016
	16	1.5		2.22						
	18	1		2.50						

HC200 RX

CONTEXT OF USE:

- For private pools, to dose chlorine or other disinfectants depending on the Rx potential read with the built-in tool.

DESCRIPTION:

- Electromagnetic pump with built-in Rx tool for the proportional dosing of chlorine or other disinfectants, with installation kit and equipment.
- High flow rate
- Mechanic run adjustment (volume injection)
- Measurement range 0-999 mV
- Level probe compatible
- Power supply 220-230V 50/60Hz.
- The kit contains:
 - Suction/injection pipe
 - MV buffer solution to calibrate the electrode
 - Wall fixing bracket and dowels
 - Collar bracket for DN50 pipe and G½" probe holder
 - Rx electrode
 - Foot filter

TECHNICAL FEATURES:

	STANDARD VERSION	UPON REQUEST
Pump body	pp	PVDC, PVC Auto. bleeding
Diaphragm	PTFE	-
Balls	PP	PTFE ; ceramic
Valve fitting	PP	PVDF
O-rings	Viton®	Dutral®
Spring loaded injection valve	Hastelloy	Hastelloy - ceramic
Injection fitting	PP	PVDF
Foot strainer	PP	PVDF
Suction and air bleed pipe	PVC	-
Delivery pipe	PE	-
Power supply	230 V	110 V

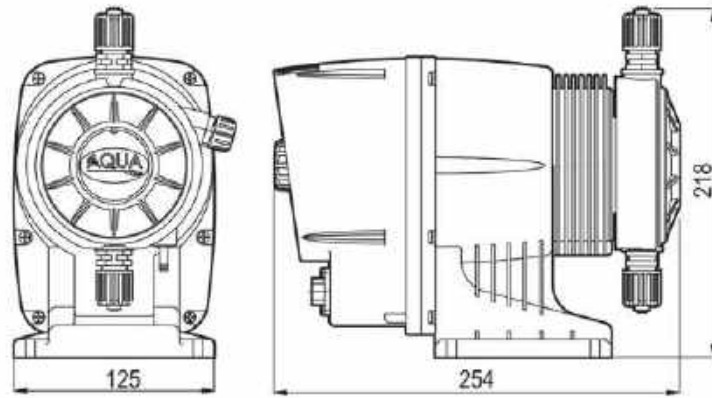


STANDARDS:





- No. 2004/108/CE EMC directive
- No. 2006/95/CE "DBT low voltage directive"
- No. 2011/65/UE, 2002/96/CE "RoHS and WEEE directives"

PACKAGE SIZE: (LXHXW)

350x160x300 mm



INSTALLATION KIT

	Rx electrode with 5m cable ADELTRX05		Foot filter 4x6 ADSP6000001
	PE injection pipe (2 m) ADSP6000078		PP Injection valve M 1/2 Gas ADSP6200007
	x2 PVC crystal Pipe (2m) ADSP6000546		Threaded probe holder ADPST1
	mV 475 buffer solution ADSRX		

CODE	FLOW RATE	PRESSURE	STROKES	STROKE VOLUME	CONSUMPTION	TUBE	PUMP HEAD	PACKING	WEIGHT	VOLUME
	l/h	bar	BPM/SPM	ml/colpo	WATT				kg	m ³
AD2300418000R000	4	18	120	0.55	34	4 x 6	PP 3/8	1	4.75	0.016
	6.8	9		0.94						
	12	1		1.66						
AD2301010000R000	10	10	120	1.38	34	4 x 6	PP 3/8	1	4.75	0.016
	12.6	5		1.75						
	17	1		2.36						
AD2301503000R000	15	3	120	2.08	34	4 x 6	PP 3/8	1	4.75	0.016
	16	1.5		2.22						
	18	1		2.50						

HC201

CONTEXT OF USE:

- For private pools, to dose chemicals by time.

DESCRIPTION:

- Multi-function dosing pump. Mechanic adjustment of each injection. Microprocessor, display and digital control technology.
- Proportional functioning with external digital signal, with input pulses divider and multiplier.
- Proportional functioning with 4-20 mA direct and inverse analogue signal. Constant functioning with flow rate adjustment in pul/minute, min. 1 pulse/10 minutes. Timed functioning with daily/ weekly timer. Level probe compatible (probe and connector not included)
- IP65 protection.

TECHNICAL FEATURES:

	STANDARD VERSION	UPON REQUEST
Pump body	PVDF	PVC Auto. bleeding
Diaphragm	PTFE	-
Balls	PVDF	PTFE ; ceramic
Valve fitting	PVDF	-
O-rings	Viton®	Dutral®
Spring loaded injection valve	Hastelloy	Hastelloy - ceramic
Injection fitting	PVDF	-
Foot strainer	PVDF	-
Suction and air bleed pipe	PVC	-
Delivery pipe	PE	-
Power supply	230 V	110 V

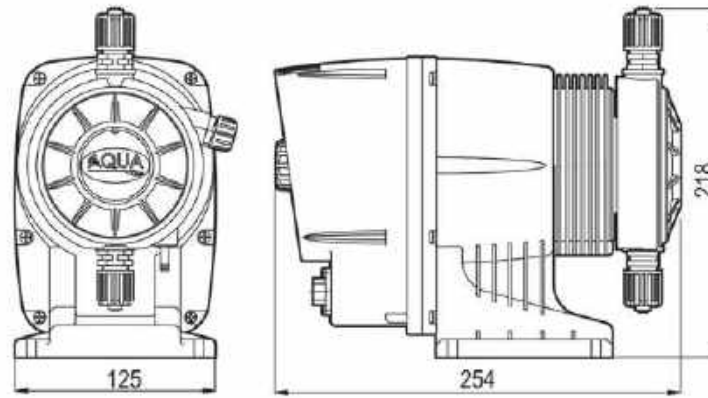
STANDARDS:

- No. 2004/108/CE EMC directive
- No. 2006/95/CE "DBT low voltage directive"
- No. 2011/65/UE, 2002/96/CE "RoHS and WEEE directives"

PACKAGE SIZE: (LXHXW)

355x160x300 mm





INSTALLATION KIT

	PE injection pipe (2 m) ADSP6000078		PVDF Foot valve ADSP6000028
 x2	PVC crystal Pipe (2m) ADSP6000546		PVDF Injection valve ADSP6200031

CODE	FLOW RATE	PRESSURE	STROKES	STROKE VOLUME	CONSUMPTION	TUBE	PUMP HEAD	PACKING	WEIGHT	VOLUME
	l/h	bar	BPM/SPM	ml/colpo	WATT				kg	m ³
AD24004180P04000	4	18	120	0.55	34	4 x 6	PP 3/8"	1	4.75	0.016
	6.8	9		0.94						
	12	1		1.66						
AD24010100P00400	10	10	120	1.38	34	4 x 6	PP 3/8"	1	4.75	0.016
	12.6	5		1.75						
	17	1		2.36						
AD24015030P00400	15	3	120	2.08	34	4 x 6	PP 3/8"	1	4.75	0.016
	16	1.5		2.22						
	18	1		2.50						

03 PRE-ASSEMBLED PANELS

A-TECHNOPOOL SYSTEM PH-RX

Complete Panel with proportional control of pH & Redox comprises:

- 1 Twin peristaltic pump TECHNOPOOL pH-Rx.
- Modular probe holder with pre-filter, water check valve and flow sensor.
- pH and Redox electrodes & buffer solutions.
- 2 low level switches.

STANDARDS:











- No. 2004/108/CE EMC directive
- No. 2006/95/CE "DBT low voltage directive"
- No. 2011/65/UE, 2002/96/CE "RoHS and WEEE directives"

PACKAGE SIZE: (LXHXW)

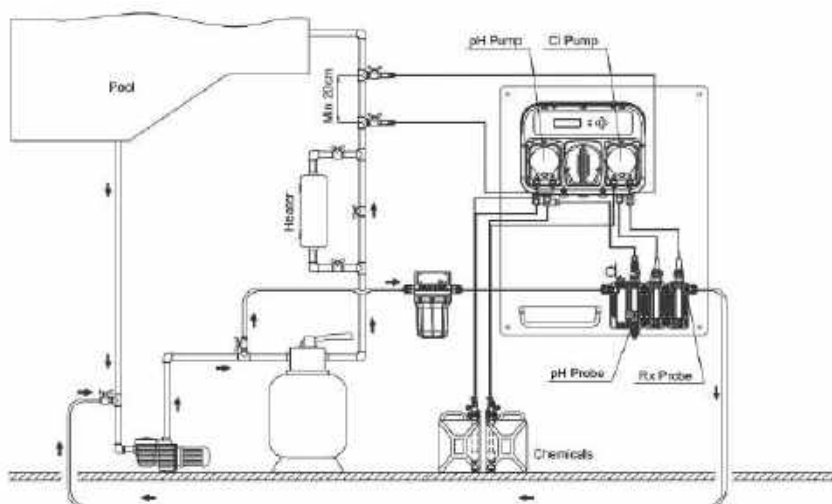
660x560x270 mm



INSTALLATION KIT

	Rx electrode with 1 m cable ADELTRX01		pH4 and pH7 buffer solutions ADSPH4 - ADSPH7
	pH electrode with 1m cable ADELTPH01		x2 PP foot valve ADSP6000001
	x2 PE injection pipe (2 m) ADSP6000078		x2 PP bottom valve M12 Gas (PP-VL-VT) ADSP6000049
	x2 PVC crystal Pipe (2m) ADSP6000546		x2 By-pass connectors PP ADSP5005002 ADSP5004002
	mV 475 buffer solution ADSRX		Tube 10x14 soft type PVC - 4m ADSP6000440

INSTALLATION EXAMPLE



CODE	FLOW RATE	PRESSURE	WATT	TUBE	DIMENSION	PACKING	WEIGHT	VOLUME
	l/h	bar			mm		kg	m ³
ADPSP01	1.5 - 3	1 - 1	12	4 x 6	500 x 600 x 200	1	7	0.1

A-POOL SYSTEM PH-RX

Complete Panel with proportional control of pH and Redox for swimming pool up to 500 m³ comprises:

- 1 AQUAPOOL pump pH-Rx PVDF-PTFE-VT.
- Modular probe holder with pre-filter, water check valve and flow sensor.
- PH and Redox electrodes and buffer solutions.
- 2 low level switches.

TECHNICAL FEATURES:

	STANDARD VERSION
Pump body	PVDF
Diaphragm	PTFE
Balls check valves	PTFE
Valve fitting	PVDF
Seals / O-rings	Viton®
Injection fitting	PVDF
Foot Valve	PVDF

STANDARDS:







- No. 2004/108/CE EMC directive
- No. 2006/95/CE "DBT low voltage directive"
- No. 2011/65/UE, 2002/96/CE "RoHS and WEEE directives"

PACKAGE SIZE: (LXHXW)

660x560x270 mm

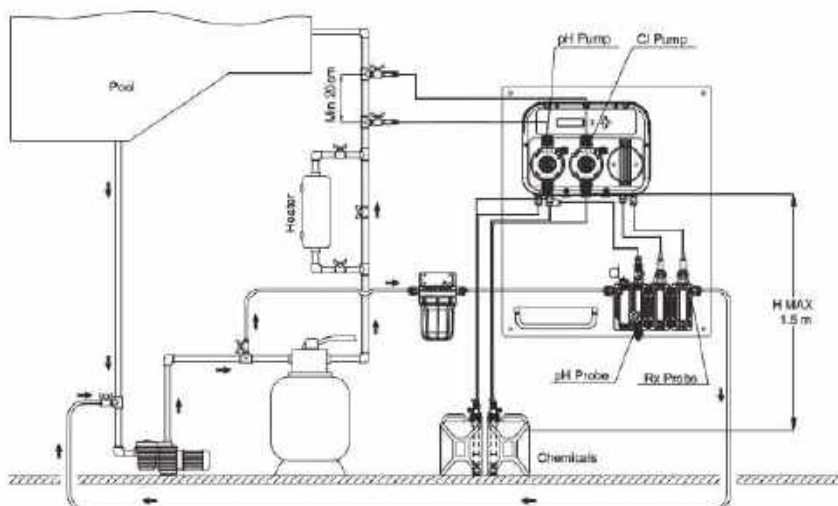


INSTALLATION KIT

	Rx electrode with 1 m cable ADELTRX01		pH4 and pH7 buffer solutions ADSPH4 - ADSPH7
	pH electrode with 1m cable ADELTPH01		x2 PVDF Foot valve ADSP6000028
	x2 PE injection pipe (2 m) ADSP6000078		x2 PP bottom valve M 12 Gas ADSP6200031
	x4 PVC crystal Pipe (2m) ADSP6000546		x2 By-pass connectors PP ADSP5005002 ADSP5004002
	mV 475 buffer solution ADSRX		Tube 10x14 soft type PVC - 4m ADSP6000440
			5" water filter fitted with 80 micron net cartridge ADFV3

08

INSTALLATION EXAMPLE



CODE	FLOW RATE			WATT	TUBE	SUITABLE FOR POOLS UP TO		DIMENSION mm	PACKING	WEIGHT kg	VOLUME m³
	1/h (2 bar)	1/h (4 bar)	1/h (5 bar)			Indoor	Outdoor				
ADPS105	2.5 - 2.5	2 - 2	1.5 - 1.5	35	4 x 6	80 mc	50 mc	500 x 600 x 200	1	10	0.1
ADPS100	7 - 7	6 - 6	5 - 5	35	4 x 6	300 mc	200 mc	500 x 600 x 200	1	10	0.1
ADPS101	12 - 12	10 - 10	8 - 8	45	4 x 6	500 mc	400 mc	500 x 600 x 200	1	10	0.1

A-POOL SYSTEM PH-CL

Complete Panel with proportional control of pH and free chlorine for swimming pool up to 500 m³ comprises:

- 1 AQUAPOOL pump pH-CI PVDF-PTFE-VT.
- Modular probe holder with: pre-filter, water check valve and flow sensor.
- PH and Pt-Cu electrodes and pH buffer solutions.
- 2 low level switches.

TECHNICAL FEATURES:

	STANDARD VERSION
Pump body	PVDF
Diaphragm	PTFE
Balls check valves	PTFE
Valve fitting	PVDF
Seals / O-rings	Viton®
Injection fitting	PVDF
Foot Valve	PVDF

STANDARDS:








- No. 2004/108/CE EMC directive
- No. 2006/95/CE "DBT low voltage directive"
- No. 2011/65/UE, 2002/96/CE "RoHS and WEEE directives"

PACKAGE SIZE: (LXHXW)

660x560x270 mm

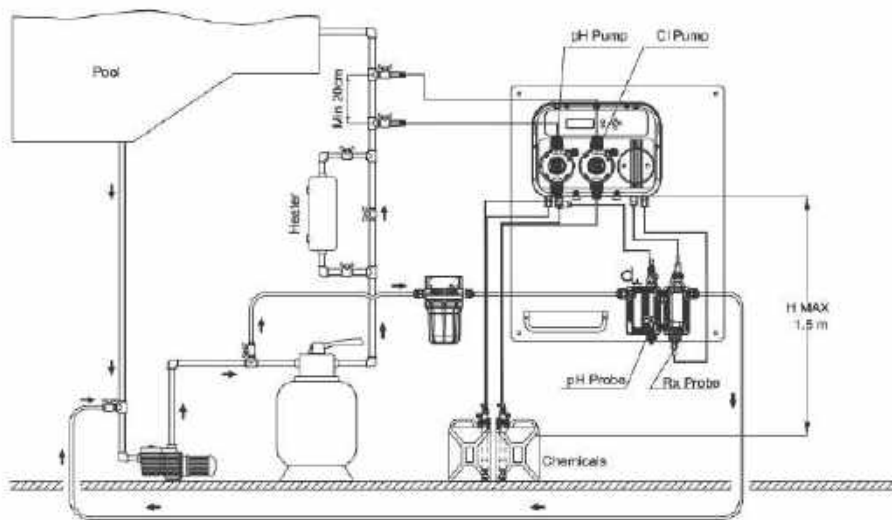


INSTALLATION KIT

	pH4 and pH7 buffer solutions ADSPH4 - ADSPH7		x2	PVDF Foot valve ADSP6000028
	pH electrode with 1m cable ADELTPH01		x2	PP bottom valve M 12 Gas ADSP6200031
	x2 PE injection pipe (2 m) ADSP6000078		x2	By-pass connectors PP ADSP5005002 ADSP5004002
	x4 PVC crystal Pipe (2m) ADSP6000546			Tube 10x14 soft type PVC - 4m ADSP6000440
	5" water filter fitted with 80 micron net cartridge ADFV3			

08

INSTALLATION EXAMPLE



CODE	FLOW RATE			WATT	TUBE	SUITABLE FOR POOLS UP TO		DIMENSION mm	PACKING	WEIGHT kg	VOLUME m ³
	1/h (2 bar)	1/h (4 bar)	1/h (5 bar)			Indoor	Outdoor				
ADPS205	2.5 - 2.5	2 - 2	1.5 - 1.5	35	4 x 6	80 mc	50 mc	500 x 600 x 200	1	10	0.1
ADPS200	7 - 7	6 - 6	5 - 5	35	4 x 6	300 mc	200 mc	500 x 600 x 200	1	10	0.1
ADPS201	12 - 12	10 - 10	8 - 8	45	4 x 6	500 mc	400 mc	500 x 600 x 200	1	10	0.1

A-POOL SYSTEM PH-CLJ

Complete Panel with proportional control of pH & free chlorine for swimming pool up to 500 m³ comprises:

- 1 AQUAPOOL pump pH-CLJ PVDF-PTFE-VT.
- Modular probe holder with pre-filter, water check valve and flow sensor.
- pH and Cl electrodes (ADELCLJ25) & pH buffer solutions.
- 2 low level switches.

TECHNICAL FEATURES:

	STANDARD VERSION
Pump body	PVDF
Diaphragm	PTFE
Balls check valves	PTFE
Valve fitting	PVDF
Seals / O-rings	Viton®
Injection fitting	PVDF
Foot Valve	PVDF

STANDARDS:







- No. 2004/108/CE EMC directive
- No. 2006/95/CE "DBT low voltage directive"
- No. 2011/65/UE, 2002/96/CE "RoHS and WEEE directives"

PACKAGE SIZE: (LXHXW)

660x560x270 mm

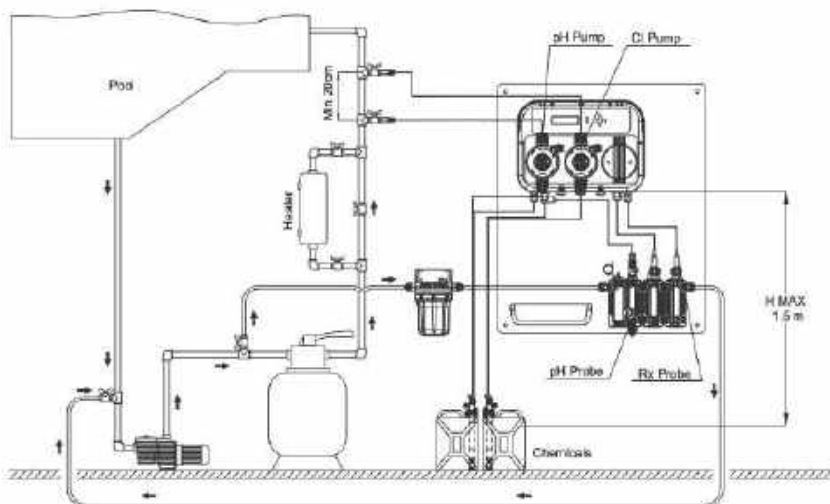


INSTALLATION KIT

	Amperometric probe for free chlorine reading low pH influence ADELCLJ25		pH4 and pH7 buffer solutions ADSPH4 - ADSPH7
	pH electrode with 1m cable ADELTPH01		x2 PVDF Foot valve ADSP6000028
	x2 PE injection pipe (2 m) ADSP6000078		x2 PP bottom valve M 12 Gas ADSP6200031
	x4 PVC crystal Pipe (2m) ADSP6000546		x2 By-pass connectors PP ADSP5005002 ADSP5004002
	5" water filter fitted with 80 micron net cartridge ADFV3		Tube 10x14 soft type PVC - 4m ADSP6000440

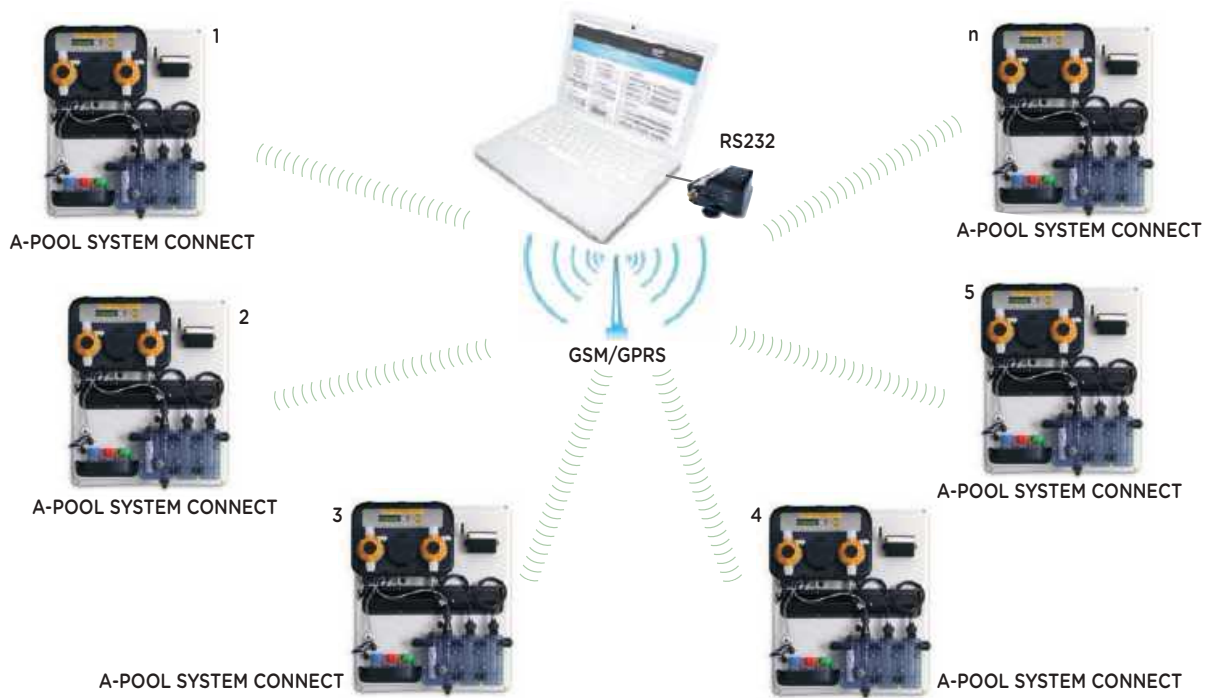
08

INSTALLATION EXAMPLE

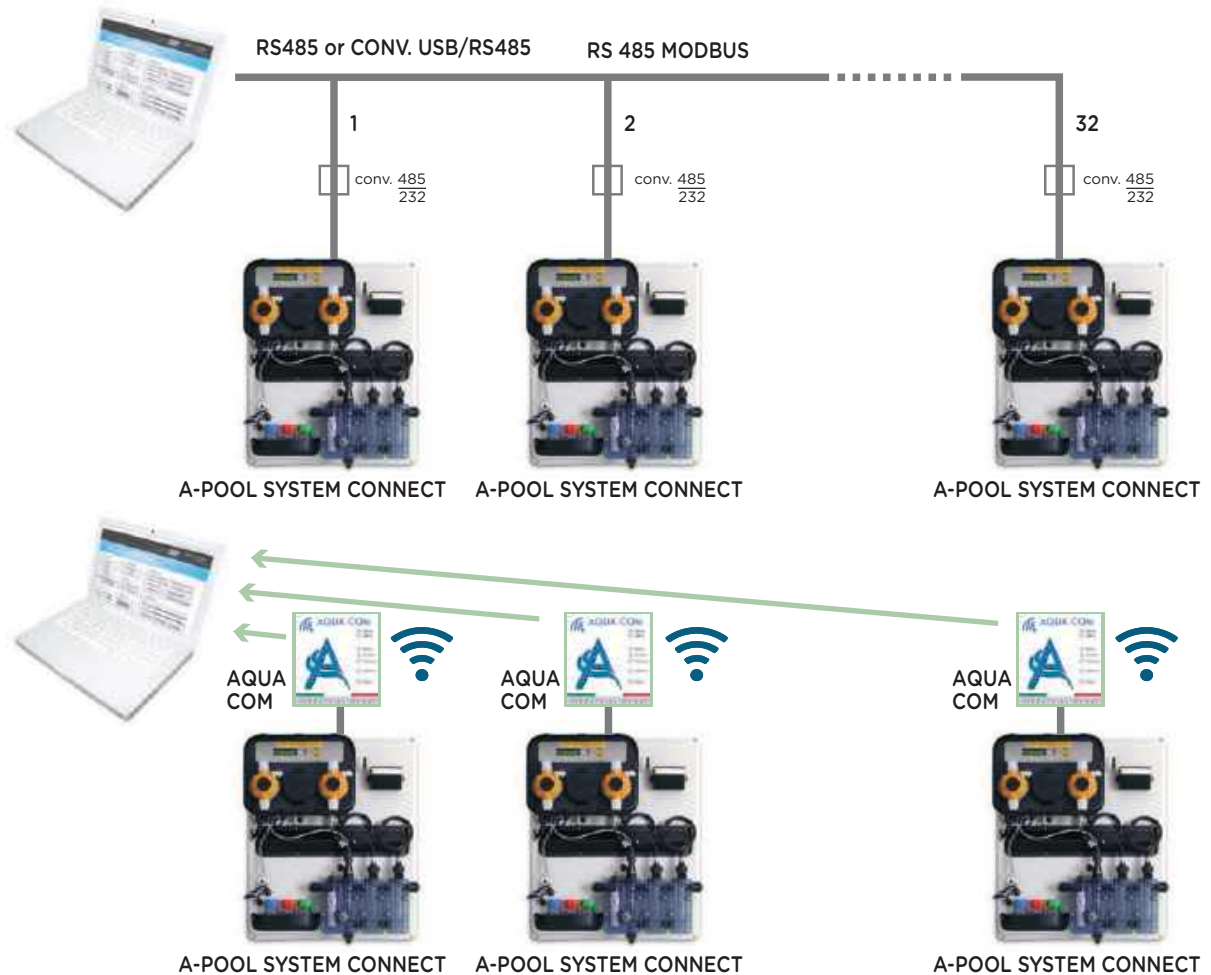


CODE	FLOW RATE			WATT	TUBE	SUITABLE FOR POOLS UP TO		DIMENSION mm	PACKING	WEIGHT kg	VOLUME m ³
	1/h (2 bar)	1/h (4 bar)	1/h (5 bar)			Indoor	Outdoor				
ADPS305	2.5 - 2.5	2 - 2	1.5 - 1.5	35	4 x 6	80 mc	50 mc	500 x 600 x 200	1	10	0.1
ADPS300	7 - 7	6 - 6	5 - 5	35	4 x 6	300 mc	200 mc	500 x 600 x 200	1	10	0.1
ADPS301	12 - 12	10 - 10	8 - 8	45	4 x 6	500 mc	400 mc	500 x 600 x 200	1	10	0.1

GSM/GPRS REMOTE CONNECTION SCHEME



CABLE CONNECTION SCHEME UP TO 1 KM POSSIBLE FOR A-POOL SYSTEM CONNECT



WI-FI AQUA-COM SYSTEM

Aqua Com device is a Wi-Fi modem that connects each Aqua device, with an RS232 or USB interface, to the internet network. From all over the world you can reach the AQUA device connected to Aqua Com via a management SW. An AES (Advanced Encryption Standard) code, with 256 bits, protects your access credentials and PC-Aqua Com communication.



CODE	DESCRIPTION
ACOM100	WI-FI AQUA COM module
ACOM210	Connection cable AQUA COM-RS232

Note: To use the AQUA COM equipment, a subscription must be signed for the cloud smart object service. Instructions on the product manual. First year included in price

GSM/GPRS MODEM

GSM/GPRS modem for connect version with: remote control software via PC (for a correct connection 2 modems are required: a transmission and a reception one).



CODE	DESCRIPTION
ADGSM	GSM/GPRS Modem complete with PC SW and Short Antenna
ADGSMAN	Short Antenna
ADGSMAN4	Antenna 4m

SERIAL CABLES AND EQUIPMENT



CODE	DESCRIPTION	VERSION
ADSP6000659	Null-modem Adaptor	Connect
ADRSDMM2	Serial Cable M-M 2m	Connect
ADRSDMF3	Serial Cable M-M 3m	Connect
ADRSIMF3	Null-modem Adaptor M-F 3m	Connect
ADSP6000658	USB-RS232 Adaptor Cable	Connect
ADSP6000657	RS485 Cable for Basic System Pool	Standard

A-POOL TOP EVO PH-CL

Control panel and proportional regulation of pH and Chlorine from 0-5,00 ppm for private pools composed by:

- N.2 AE START pH-Rx
- N.2 HC151 mA
- N°1 chlorine cell (Pt-Cu) complete with flow sensor and regulator (cod. ADCG5F)
- pH electrode
- Pt-Cu probe for PPM Chlorine reading
- Temperature probe
- pH buffer solutions
- 2 level probes
- Power supply 220-230V 50/60Hz
- Available upon request customized solution for public pools up to 2500mc.










TECHNICAL FEATURES:

	STANDARD VERSION	UPON REQUEST
Pump head	PP	PVDF / PVC Auto. bleeding
Pump housing	PP	-
Diaphragm	PTFE	-
Balls	PYREX	PTFE ; ceramic
Body Valve	PP	PVDF
O-rings	Viton®	Dutral®
Injection ball valve (Spring)	Hastelloy / Pyrex	Hastelloy - ceramic
Injection fitting	PP	PVDF
Foot valve	PP	PVDF
Power supply	230 V	110 V

PACKAGE SIZE: (LXHXW)

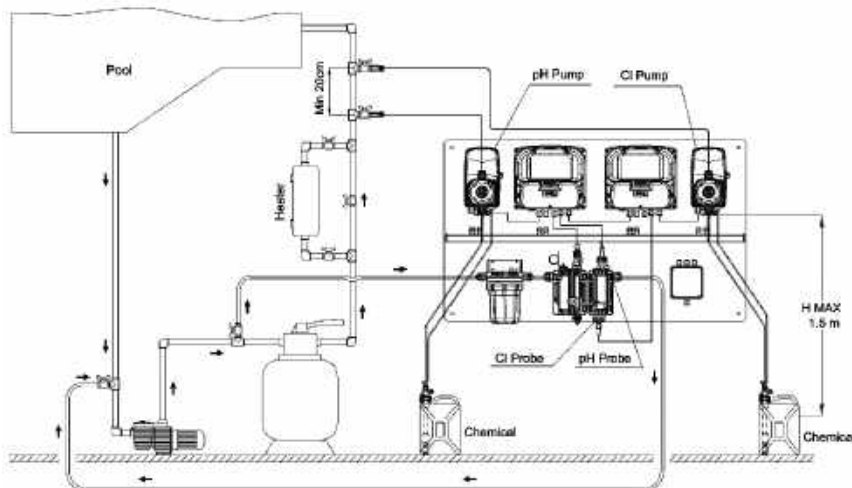
660x560x270 mm

INSTALLATION KIT

	pH4 and pH7 buffer solutions ADSPH4 - ADSPH7		mV 475 buffer solution ADSRX
	pH electrode with 1m cable ADELTPH01		x2 PP foot valve ADSP6000001
	x2 PE injection pipe (2 m) ADSP6000078		x2 PP bottom valve M12 Gas (PP-VL-VT) ADSP6000049
	x4 PVC crystal Pipe (2m) ADSP6000546		x2 By-pass connectors PP ADSP5005002 ADSP5004002

08

INSTALLATION EXAMPLE



CODE	FLOW RATE	PRESSURE	WATT	TUBE	DIMENSION	PACKING	WEIGHT	VOLUME
	l/h	bar			mm		kg	
ADPTE01	10 - 10	4 - 4	35	4 x 6	500 x 600 x 200	1	10	0.1
ADPTE02	20 - 20	3 - 3	35	4 x 6	500 x 600 x 200	1	10	0.1

A-POOL TOP PRO EVO PH-CLJ

Control panel and proportional regulation of pH and Chlorine from 0-5,00 ppm for private pools composed by:

- N.2 AE START pH-CLJ
- N.2 HC151 mA
- Modular probe holder for pH and J probes
- pH electrode
- A-J probe for Chlorine
- temperature probe;
- pH buffer solutions.
- 2 level probes
- Power supply 220-230V 50/60Hz
- Available upon request hydrogen peroxide or bromine version
- Available upon request customized solution for public pools up to 2500mc.



TECHNICAL FEATURES:

	STANDARD VERSION	UPON REQUEST
Pump head	PP	PVDF / PVC Auto. bleeding
Pump housing	PP	-
Diaphragm	PTFE	-
Balls	PYREX	PTFE ; ceramic
Body Valve	PP	PVDF
O-rings	Viton®	Dutral®
Injection ball valve (Spring)	Hastelloy / Pyrex	Hastelloy - ceramic
Injection fitting	PP	PVDF
Foot valve	PP	PVDF
Power supply	230 V	110 V

PACKAGE SIZE: (LXHXW)

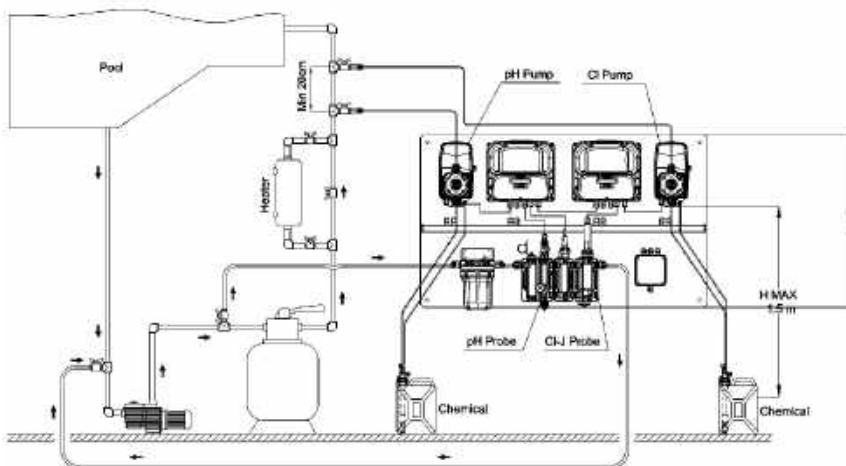
660x560x270 mm

INSTALLATION KIT

	Amperometric probe for free chlorine reading low pH influence ADELCLJ25		pH4 and pH7 buffer solutions ADSPH4 - ADSPH7
	pH electrode with 1m cable ADELTPH01	 x2	PP foot valve ADSP6000001
 x2	PE injection pipe (2 m) ADSP6000078	 x2	PP bottom valve M12 Gas (PP-VL-VT) ADSP6000049
 x4	PVC crystal Pipe (2m) ADSP6000546	 x2	By-pass connectors PP ADSP5005002 ADSP5004002
	mV 475 buffer solution ADSRX		Tube 10x14 soft type PVC - 4m ADSP6000440

08

INSTALLATION EXAMPLE



CODE	FLOW RATE	PRESSURE	WATT	TUBE	DIMENSION	PACKING	WEIGHT	VOLUME
	l/h	bar			mm		kg	
ADPTE11	10 - 10	4 - 4	35	4 x 6	500 x 600 x 200	1	10	0.1
ADPTE12	20 - 20	3 - 3	35	4 x 6	500 x 600 x 200	1	10	0.1

04 CONTROLLERS AND ANALYSERS

ADIN20 START *NEW*

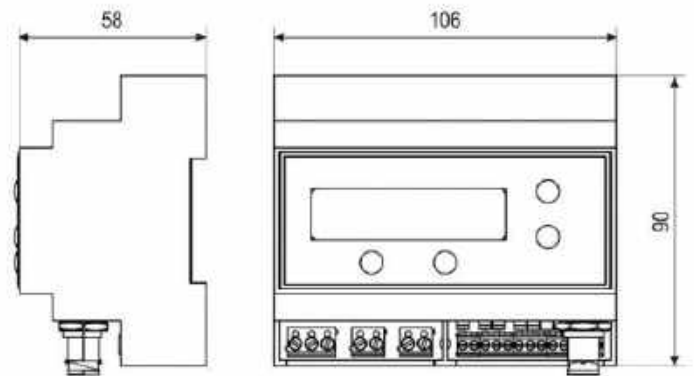
- Digital Controller DIN rail mounting.
- Backlighted LCD display, 2 lines x 16 characters and 4 keys keypad, for an easy user interface
- 2 set-points with independent adjustment and free relay outputs, selectable in On-Off mode, Proportional or Time-Pause Mode
- 0/4-20 mA Proportional Output with selectable range
- PT100 temperature probe, Level and Flow sensor inputs
- Setting menu protected by password
- Fast setting by user menu selection, manual control of both relays (pumps priming), runtime monitoring of all outputs and control of the last probe calibration
- Realy n.2 selectable as setpoint or on each alarm signal.
- Statistics of the alarms, of the number of setpoint activations and of the operating time of each relay
- Self-calibration of measure probes.

ADIN20S PH-RX

- Controller for measurement and control of pH measure range 0.00-14.00 pH, with 0.01 pH accuracy, Redox potential, measure range -1500÷1500 mV, with 1 mV accuracy
- Changing of the monitored parameter by Advanced Settings Menu, protected by password.
PROBE P.80

ADIN20S CHLORINE

- Controller for measurement and regulation of free chlorine available for amperometric Pt- Cu probes
- Measure Range:0.00-10.00 ppm.
PROBE P.81



ADIN20S CL-J

- Controller for measurement and regulation of free chlorine, hydrogen peroxide, bromine, ozono and each other measure available for amperometric selective membrane 4-20mA probes;
- Measure Range selectable: 0.00-2.00 ppm/0.00-5.00ppm 0.00-10.00ppm/0.00- 20.00ppm/0-200ppm.
PROBE P.81

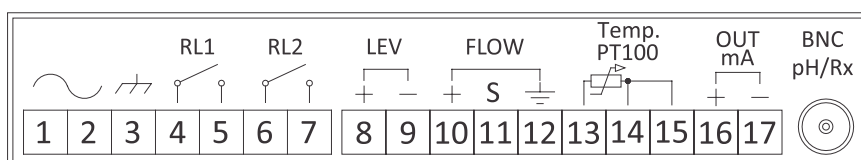
PACKAGE SIZE: (LXHXW)

120x105x145 mm

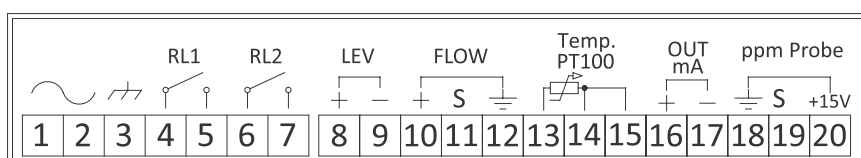
CODE	MODEL	PROBES	PACKING	WEIGHT	VOLUME
				kg	m ³
ADINS20PHRX	Aqua Din 20 start pH-RX controller	pH - Rx	1	0.35	0.001
ADINS20CL	Aqua Din 20 start chlorine (Pt-Cu) controller	CHLORINE (Pt-Cu)	1	0.35	0.001
ADINS20CLJ	Aqua Din 20 start PPM A-J probes	A-J	1	0.35	0.001

	pH - Rx	Chlorine (Pt - Cu)	A - J
Scale	0 - 14.00 pH / ±1.500 mV	0 - 10 ppm	0-2-5-10-20-200 ppm
Scale	±0.01 pH/ ±1 mV	±0.01 ppm	0.01-1 ppm
Current output	1 programmable 0/4-20 mA Proportional Output - 400 Ω max-with galvanic separation		
Relay 1 Output	Related to set point 1 value, free contact - 10 A max working mode - ON - OFF, Proportional or Time/Pause Mode		
Relay 2 Output	Related to set point 2 value or alarms, free contact - 10 A max working mode - ON - OFF, Proportional or Time/Pause Mode (if related to set point 2)		
Display	Backlighted LCD display, 2 lines x 16 characters		
Controls	4 keys keypad		
Temperature	Manual or automatic temperature correction by PT100 sensor (Only pH version)		
Hysteresis	Selectable for each set point		
Alarms	Measure, invariance of the measure, OFA, flow, Level-Each alarm can be set on relay 2		
Power supply	80-265 V AC		
Consumption	3 Watt		
Package	6 modules DIN		
Weight	350 gr		

PH-REDOX

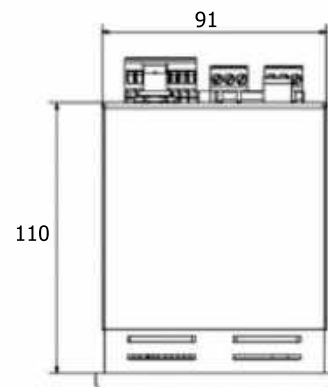
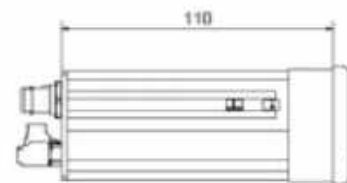


CHLORINE AND A-J



AR 10 START **NEW**

- Digital Controller for panel mounting 48x96.
- Backlighted LCD display, 2 lines x 16 characters and 4 keys keypad, for an easy user interface
- 2 set-points with independent adjustment and free relay outputs, selectable in On-Off mode, Proportional or Time-Pause Mode
- 0/4-20 mA Proportional Output with selectable range
- PT100 temperature probe, Level and Flow sensor inputs
- Setting menu protected by password
- Fast setting by user menu selection, manual control of both relays (pumps priming), runtime monitoring of all outputs and control of the last probe calibration;
- Realy n.2 selectable as setpoint or on each alarm signal.
- Statistics of the alarms, of the number of setpoint activations and of the operating time of each relay
- Self-calibration of measure probes



AR 10 S PH-REDOX

- Controller for measurement and control of pH measure range 0.00-14.00 pH, with 0.01 pH accuracy, Redox potential, measure range -1500÷1500 mV, with 1 mV accuracy
- Changing of the monitored parameter by Advanced Settings Menu, protected by password.
PROBE P.80

AR 10 S CLORINE

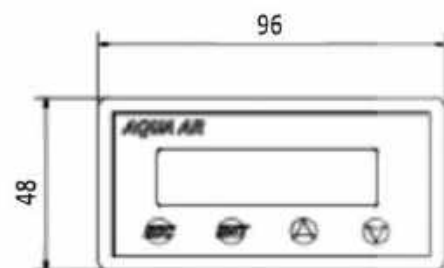
- Controller for measurement and regulation of free chlorine available for amperometric Pt- Cu probes
- Measure Range:0.00-10.00 ppm.
PROBE P.81

AR 10 S CL-J

- Controller for measurement and regulation of free chlorine, hydrogen peroxide, bromine, ozono and each other measure available for amperometric selective membrane 4-20mA probes
- Measure Range selectable: 0.00-2.00 ppm/0.00-5.00ppm 0.00-10.00ppm/0.00-20.00ppm/0-200ppm.
PROBE P.81

PACKAGE SIZE: (LXHXW)

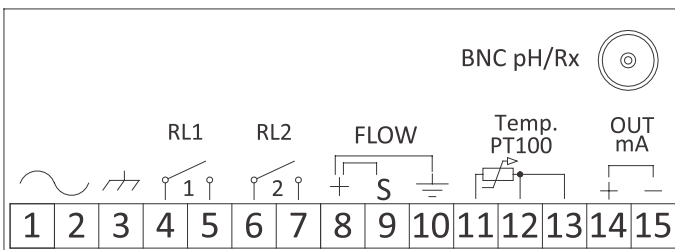
120x105x145 mm



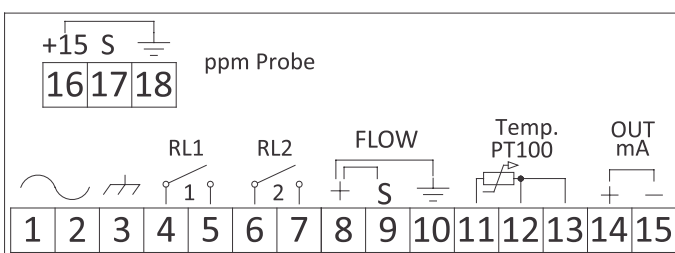
CODE	MODEL	PROBES	PACKING	WEIGHT	VOLUME
				kg	m ³
ADRS10PHRX	Aqua AR 10 start pH-RX controller	pH - Rx	1	0.35	0.001
ADRS10CL	Aqua AR 10 start chlorine (Pt-Cu) controller	CHLORINE (Pt-Cu)	1	0.35	0.001
ADRS10CLJ	Aqua AR 10 start for A-J probes	A-J	1	0.35	0.001

	pH - Rx	Chlorine (Pt - Cu)	A - J
Scale	0 - 14.00 pH / ±1.500 mV	0 - 10 ppm	0-2-5-10-20-200 ppm
Scale	±0.01 pH/ ±1 mV	±0.01 ppm	0.01-1 ppm
Current output	1 programmable 0/4-20 mA Proportional Output - 400 Ω max-with galvanic separation		
Relay 1 Output	Related to set point 1 value, free contact - 10 A max working mode - ON - OFF, Proportional or Time/Pause Mode		
Relay 2 Output	Related to set point 2 value or alarms, free contact - 10 A max working mode - ON - OFF, Proportional or Time/Pause Mode (if related to set point 2)		
Display	Backlighted LCD display, 2 lines x 16 characters		
Controls	4 keys keypad		
Temperature	Manual or automatic temperature correction by PT100 sensor		
Hysteresis	Selectable for each set point		
Alarms	Measure, invariance of the measure, OFA, flow, Level-Each alarm can be set on relay 2		
Power supply	80-265 V AC		
Consumption	3 Watt		
Package	Rack 48 x 96		
Weight	350 gr		

PH-REDOX

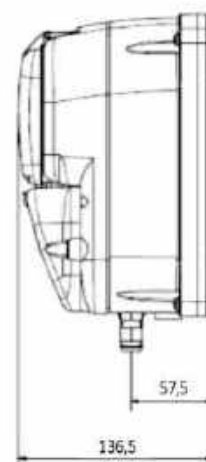
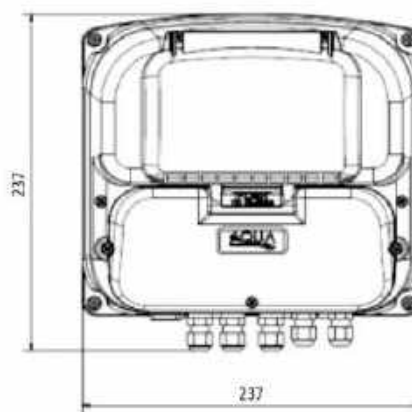


CHLORINE AND A-J



AE START **NEW**

- Digital Controller for wall mounting.
- Backlighted LCD display, 2 lines x 16 characters and 4 keys keypad, for an easy user interface
- 2 set-points with independent adjustment and free relay outputs, selectable in On- Off mode, Proportional or Time-Pause Mode
- 0/4-20 mA Proportional Output with selectable range
- PT100 temperature probe, Level and Flow sensor inputs
- Programming protected by password
- Fast setting by user menu selection, manual control of both relays (pumps priming), runtime monitoring of all outputs and control of the last probe calibration
- Realy n.2 selectable as setpoint or on each alarm signal.
- Statistics of the alarms, of the number of setpoint activations and of the operating time of each relay
- Self-calibration of measure probes.



AE S PH-REDOX

- Controller for measurement and control of pH measure range 0.00-14.00 pH, with 0.01 pH accuracy, Redox potential, measure range -1500÷1500 mV, with 1 mV accuracy
 - Changing of the monitored parameter by Advanced Settings Menu, protected by password.
- PROBE P.80**

AE S CLORINE

- Controller for measurement and regulation of free chlorine available for amperometric
- PT- CU PROBES**
- Measure Range:0.00-10.00 ppm.
- PROBE P.81**

AE S CL-J

- Controller for measurement and regulation of free chlorine, hydrogen peroxide, bromine, ozono and each other measure available for amperometric selective membrane 4-20mA probes
 - Measure Range selectable: 0.00-2.00 ppm/0.00-5.00ppm 0.00-10.00ppm/0.00-20.00ppm/0-200ppm.
- PROBE P.81**

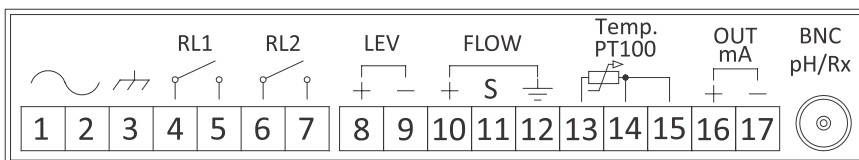
PACKAGE SIZE: (LXHXW)

375x355x620 mm

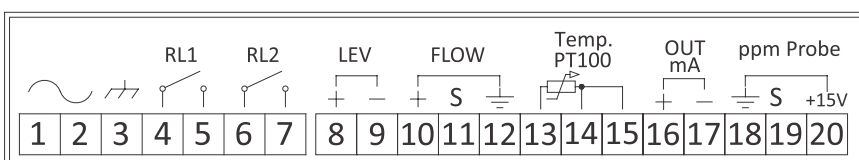
CODE	MODEL	PROBES	PACKING	WEIGHT	VOLUME
				kg	m ³
ADESPHRX	Aqua AE start pH-RX controller	pH - Rx	1	6	0.08
ADESCL	Aqua AE start chlorine (Pt-Cu) controller	CHLORINE (Pt-Cu)	1	6	0.08
ADESCLJ	Aqua AE start for A-J probes	A-J	1	6	0.08

	pH - Rx	Chlorine (Pt - Cu)	A - J
Scale	0 - 14.00 pH / ±1.500 mV	0-2.00/5.00/10.00/20.00 ppm	0-2-5-10-20-200 ppm
Scale	±0.01 pH/ ±1 mV	±0.01 ppm	0.01-1 ppm
Current output	1 programmable 0/4-20 mA Proportional Output - 400 Ω max-with galvanic separation		
Relay 1 Output	Related to set point 1 value, free contact - 10 A max working mode - ON - OFF, Proportional or Time/Pause Mode		
Relay 2 Output	Related to set point 2 value or alarms, free contact - 10 A max working mode - ON - OFF, Proportional or Time/Pause Mode (if related to set point 2)		
Display	Backlighted LCD display, 2 lines x 16 characters		
Controls	4 keys keypad		
Temperature	Manual or automatic temperature correction by PT100 sensor		
Hysteresis	Selectable for each set point		
Alarms	Measure, invariance of the measure, OFA, flow, Level-Each alarm can be set on relay 2		
Power supply	80-265 V AC		
Consumption	3 Watt		
Package	IP54 wall mounting		
Weight	800 gr		

PH-REDOX



CHLORINE AND A-J



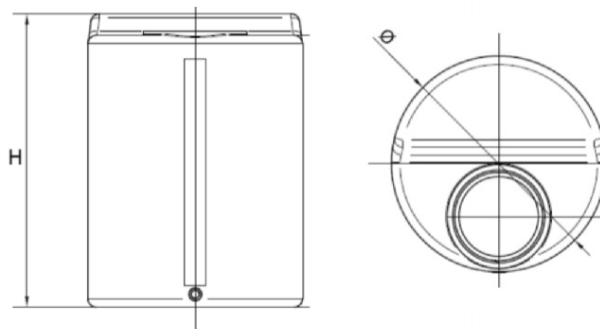
05 SPARE PARTS AND ACCESSORIES

A-TANK

- Cylindrical vertical container with self-supporting structure, flat bottom and hatch with threaded cover. Made in non-toxic UV-stabilized polyethylene, for a higher protection from the atmospheric agents, with a neutral translucent colour.
- The structure is designed depending on the liquid it will contain. It has flat upper surfaces, and a 1/2" lower discharge that ease possible couplings.
- It is monolithic, i.e. moulded in a single piece, with no joints. It has a threaded vent lid, closed upon request, and printed visual level indicator. It can be placed on flat surfaces without particular precautions



CODE	VOLUME	DIMENSIONS
	L	Ø x Height
ADTANK006	50	400 x 525
ADTANK010	100	500 x 680
ADTANK020	200	620 x 800
ADTANK030	300	770 x 890
ADTANK050	500	885 x 1000
ADTANK100	1000	1100 x 1200

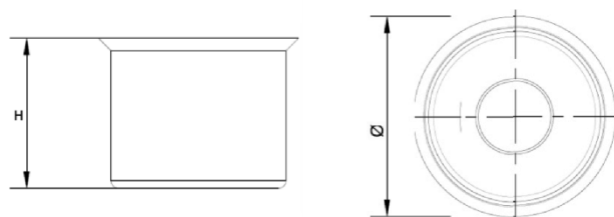


A-VISC

Cylindrical vertical container with self-supporting structure and flat bottom, suitable for the safety containing of the A-TANK tanks. It is made in non-toxic UV-stabilised polyethylene to provide a higher protection from atmospheric agents, with a neutral, translucent colour. It is monolithic, i.e. moulded in a single piece, with no joints. It can be placed on flat surfaces without particular precautions



CODE	VOLUME	DIMENSIONS
	L	Ø x Height
ADVVIC010	100	700 x 450
ADVVIC020	200	800 x 600
ADVVIC030	300	900 x 660
ADVVIC050	500	1050 x 1000
ADVVIC100	1000	1350 x 1050



AG-MAN

Manual mixer with PVC shaft



CODE	MODEL	SIZE	TANK	PACKING	WEIGHT	VOLUME
			L		kg	m ³
ADAGMP06	AG - MAN - PVC60	A - TANK 1	100 - 200	1	3	0.02
ADAGMP07	AG - MAN - PVC70	A - TANK 2-3	300	1	3	0.02
ADAGMP09	AG - MAN - PVC90	A - TANK 5-10	500 - 1000	1	3	0.02

08

A-SUPP

PVC support to install dosing pumps and mixers



CODE	MODEL
ADSUPP010	A - TANK 1
ADSUPP020	A - TANK 2
ADSUPP030	A - TANK 3
ADSUPP050	A - TANK 5
ADSUPP100	A - TANK 10

ADBAS

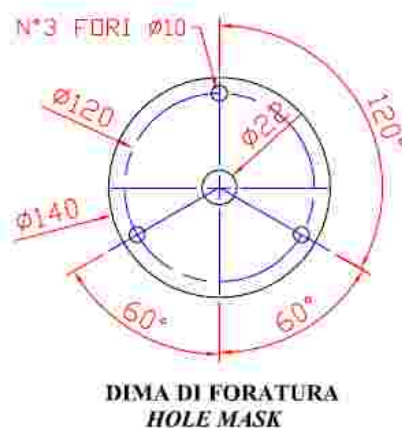
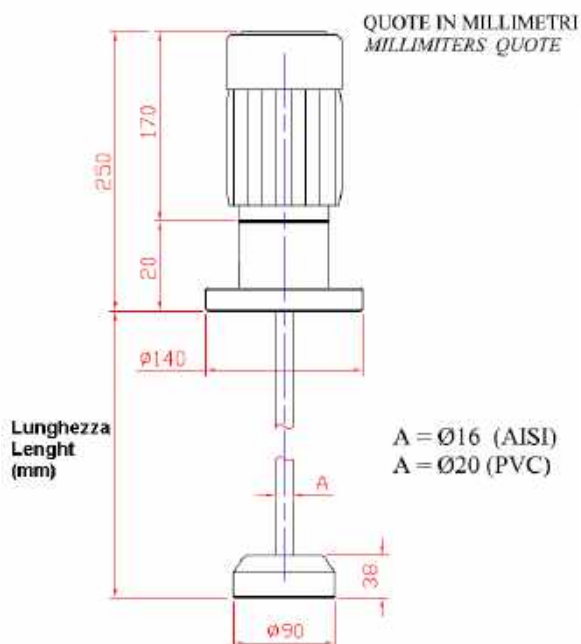
Foot fixing bracket.



CODE	MODEL
ADBAS100	Foot fixing bracket (HC150-151-897-997-899-999)

AG-F

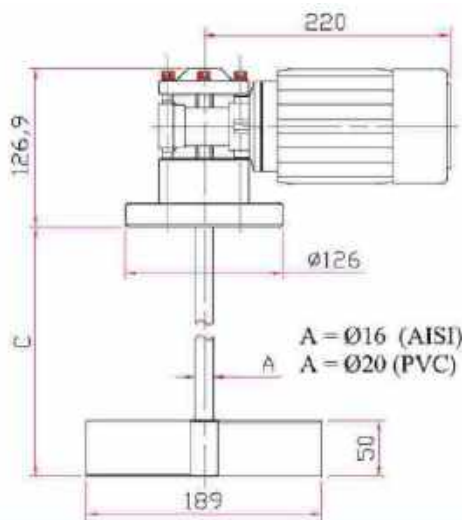
- Fast water mixers.
- Fast speed three-phase AG3-PVC/AG3-AISI 1400 rpm
– Motor 230/380 V - 50 Htz - 0.12HP;
- Fast speed three-phase AG3-PVC/AG3-AISI 1400 rpm
– Motor 230/380 V - 50 Htz - 0.12HP.



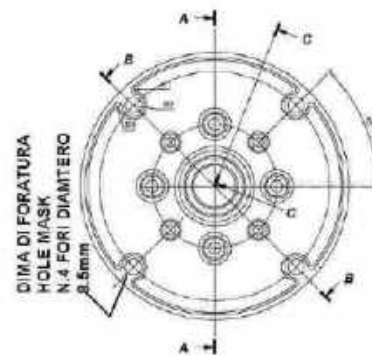
CODE		SIZE	TANK	MATERIAL	SPEED	PACKING	WEIGHT	VOLUME
SINGLE-PHASE	THREE-PHASE		L		rpm		kg	m ³
ADAG1P06F	ADAG3P06F	A - TANK 1	100	PVC	1400	1	6	0.03
ADAG1P07F	ADAG3P07F	A - TANK 2-3	200 - 300	PVC	1400	1	7	0.05
ADAG1P08F	ADAG3P08F	A - TANK 5	500	PVC	1400	1	7	0.05
ADAG1P09F	ADAG3P09F	A - TANK 10	1000	PVC	1400	1	7	0.05
ADAG1A06F	ADAG3A06F	A - TANK 1	100	AISI	1400	1	6	0.03
ADAG1A07F	ADAG3A07F	A - TANK 2-3	200 - 300	AISI	1400	1	7	0.05
ADAG1A08F	ADAG3A08F	A - TANK 5	500	AISI	1400	1	7	0.05
ADAG1A09F	ADAG3A09F	A - TANK 10	1000	AISI	1400	1	7	0.05

AG-S

- Slow water mixers.
- Slow single-phase AG1-PVC /AG1-AISI 70 rpm – Motor 230V 50Hz 0.12HP
- Slow speed three-phase - AG3-PVC/AG3-AISI - 70 rpm – Motor 230/380v - 50 Htz - 0.12HP.



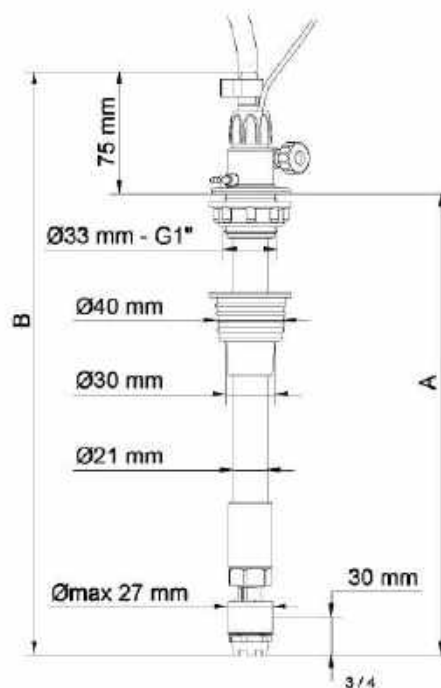
QUOTE IN MILLIMETRI
MILLIMETERS QUOTE



CODE		SIZE	TANK	MATERIAL	SPEED	PACKING	WEIGHT	VOLUME
SINGLE-PHASE	THREE-PHASE		L		rpm		kg	m ³
ADAG1P06S	ADAG3P06S	A - TANK 1	100	PVC	70	1	6	0.03
ADAG1P07S	ADAG3P07S	A - TANK 2-3	200 - 300	PVC	70	1	7	0.05
ADAG1P08S	ADAG3P08S	A - TANK 5	500	PVC	70	1	7	0.05
ADAG1P09S	ADAG3P09S	A - TANK 10	1000	PVC	70	1	7	0.05
ADAG1A06S	ADAG3A06S	A - TANK 1	100	AISI	70	1	6	0.03
ADAG1A07S	ADAG3A07S	A - TANK 2-3	200 - 300	AISI	70	1	7	0.05
ADAG1A08S	ADAG3A08S	A - TANK 5	500	AISI	70	1	7	0.05
ADAG1A09S	ADAG3A09S	A - TANK 10	1000	AISI	70	1	7	0.05

ADLASM

- Suction lance with low level probe.
- Adjustable length
- Suitable for tanks with small hole (min. 27 mm)
- Connection to 4X6 discharge pipe (return line within the tank)
- Probe level and 2 m completely protected cable
- Built-in check valve
- Easy maintenance
- Instructions kit
- 2 modes fixing (with 1" ring nut or sleeve)
- Flow rate up to 100 l/h.



	STANDARD VERSION	UPON REQUEST
Body	PP - PVC -VITON	PP - PVE - DUTRAL
Body valve	PYREX	-
O-rings	Viton®	Dutral®

TOTAL LENGTH (B)	SUITABLE FOR TANK	ADJUSTABLE LENGTH (A)
mm	lt	mm
400	5 - 10	120 -> 300
490	30	120 -> 390
700	60 ADTANK006	120 -> 600
	100 ADTANK010	
940	200 ADTANK020	120 -> 840
	300 ADTANK030	
1420	500 ADTANK050	120 -> 1320
	1000 ADTANK0100	

	CAPACITY
0	T-A tank 5/10 lt
1	T-A tank 60/100 lt
2	T-A tank 30 lt
3	T-A tank 200/300 lt
5	T-A tank 500 lt

	BALLS/O-RING MATERIALS
0	GL - VT
A	GL - DT

	LOW LEVEL PROBE
0	Low level probe without connector
B	Level probe with BNC connector
C	Low level probe with HIRSH connector

	PIPE CONNECTION
0	4 x 6
1	10 x 14

CODE	DESCRIPTION	HIGHT	TANK	mm	O-RING	PIPE	CONNECTOR
		mm	L				m ³
ADLASM0000	Suction nozzle T-A (5/10l - H400) GL-VT 4x6 C/probe LEV.-S/CONN	400	5-10	155-300	Viton®	4 x 6	-
ADLASM00C0	Suction nozzle T-A (5/10l - H400) GL-VT 4x6 C/probe LEV.-C/CONN	400	5-10	155-300	Viton®	4 x 6	HIRSHMANN
ADLASM00B0	Suction nozzle T-A (5/10l - H400) GL-VT 4x6 C/probe LEV.-S/BNC	400	5-10	155-300	Viton®	4 x 6	BNC

CODE	DESCRIPTION	HIGHT	TANK	mm	O-RING	PIPE	CONNECTOR
		mm	L				m ³
ADLASM2000	Suction nozzle T-A (30l - H490) GL-VT 4x6 C/probe LEV.-S/CONN	490	30	155-390	Viton®	4 x 6	-
ADLASM20C0	Suction nozzle T-A (30l - H490) GL-VT 4x6 C/probe LEV.-C/CONN	490	30	155-390	Viton®	4 x 6	HIRSHMANN
ADLASM20B0	Suction nozzle T-A (30l - H490) GL-VT 4x6 C/probe LEV.-S/BNC	490	30	155-390	Viton®	4 x 6	BNC

CODE	DESCRIPTION	HIGHT	TANK	mm	O-RING	PIPE	CONNECTOR
		mm	L				m ³
ADLASM1000	Suction nozzle T-A (60l-100l-H700) GL-VT 4x6 C/probe LEV.-S/CONN	700	60-100	115-600	Viton®	4 x 6	-
ADLASM10C0	Suction nozzle T-A (60l-100l-H700) GL-VT 4x6 C/probe LEV.-C/CONN	700	60-100	115-600	Viton®	4 x 6	HIRSHMANN
ADLASM10B0	Suction nozzle T-A (60l-100l-H700) GL-VT 4x6 C/probe LEV.-C/BNC	700	60-100	115-600	Viton®	4 x 6	BNC

CODE	DESCRIPTION	HIGHT	TANK	mm	O-RING	PIPE	CONNECTOR
		mm	L				m ³
ADLASM3000	Suction nozzle T-A (2/300l - H940) GL-VT 4x6 C/probe LEV.-S/CONN	940	200-300	115-840	Viton®	4 x 6	-
ADLASM30C0	Suction nozzle T-A (2/300l - H940) GL-VT 4x6 C/probe LEV.-C/CONN	940	200-300	115-840	Viton®	4 x 6	HIRSHMANN
ADLASM30B0	Suction nozzle T-A (2/300l - H940) GL-VT 4x6 C/probe LEV.-S/BNC	940	200-300	115-840	Viton®	4 x 6	BNC
ADLASM3001	Suction nozzle T-A (2/300l - H940) GL-VT 4x6 C/probe LEV.-S/CONN	940	200-300	115-840	Viton®	10 x 14	-
ADLASM30C1	Suction nozzle T-A (2/300l - H940) GL-VT 4x6 C/probe LEV.-C/CONN	940	200-300	115-840	Viton®	10 x 14	HIRSHMANN
ADLASM30B1	Suction nozzle T-A (2/300l - H940) GL-VT 4x6 C/probe LEV.-S/BNC	940	200-300	115-840	Viton®	10 x 14	BNC

CODE	DESCRIPTION	HIGHT	TANK	mm	O-RING	PIPE	CONNECTOR
		mm	L				m ³
AD-LASM5000	Suction nozzle T-A (500/1000l - H1420) GL-VT 4x6 C/probe LEV.-S/CONN	1420	500-1000	115-1320	Viton®	4 x 6	-
AD-LASM50C0	Suction nozzle T-A (500/1000l - H1420) GL-VT 4x6 C/probe LEV.-C/CONN	1420	500-1000	115-1320	Viton®	4 x 6	HIRSHMANN
AD-LASM50B0	Suction nozzle T-A (500/1000l - H1420) GL-VT 4x6 C/probe LEV.-S/BNC	1420	500-1000	115-1320	Viton®	4 x 6	BNC
AD-LASM5001	Suction nozzle T-A (500/1000l - H1420) GL-VT 4x6 C/probe LEV.-S/CONN	1420	500-1000	115-1320	Viton®	10 x 14	-
AD-LASM50C1	Suction nozzle T-A (500/1000l - H1420) GL-VT 4x6 C/probe LEV.-C/CONN	1420	500-1000	115-1320	Viton®	10 x 14	HIRSHMANN
AD-LASM50B1	Suction nozzle T-A (500/1000l - H1420) GL-VT 4x6 C/probe LEV.-C/BNC	1420	500-1000	115-1320	Viton®	10 x 14	BNC

A-DOS

Pre-assembled skid, composed by chemical tank, dosing pump, support, suction lance, mixer (automatic or manual). To be specified during order.

Support



Pump + bracket
ADBAS100



Mixer

Uncovered tanks



Tank



Suction nozzle



ADDITIONAL LIST FOR ASSEMBLY

CODE	MODEL
ADSP6020221	Wall mounting bracket (HC100-150-151-897-997-899-999)
ADSP6020156	Wall mounting bracket (TECHNOPOOL)



CODE	MODEL
ADBAS100	Foot mounting bracket (HC150-151-897-997-899-999)



CODE	MODEL
ADSTF200	Foot mounting bracket (HC150-151-897-997-899-999)



CODE	MODEL	MEASURE	LENGTH
ADSP6000078	PE delivery tube	4 x 6	2m
ADSP6000370	PE delivery tube	6 x 8	1m (100 min.)
ADSP6000016	PE delivery tube	10 x 14	1m (50m min.)



CODE	MODEL	MEASURE	LENGTH
ADSP6000546	PVC crystal bleed of tube - PVC crystal suction tube	4 x 6	2m
ADSP6000440	PVC crystal bleed of tube - PVC crystal suction tube	6 x 8	1m (100 min.)



CODE	MODEL	CONNECTION	MATERIAL
ADSP6000028	PVDF foot valve (HC897-997-999-201)	4 x 6	PVDF-PTFE-VT



CODE	MODEL	CONNECTION	MATERIAL
ADSP6200031	PVDF injection valve M - 1/2" Gas (HC897-997-999-201)	G1/2" - 4 x 6	PVDF-PTFE-VT
ADSP6200040	PVDF injection valve M - 1/2" Gas (HC999 Mod.3)	G1/2" - 6 x 8	PVDF-PTFE-VT



CODE	MODEL	CONNECTION	MATERIAL
ADSP6000001	PP foot valve (HC150-151)	4 x 6	PP-GL-VT
ADSP6000774	PP foot valve (HC999)	10 x 14	PVC-GL-VT



CODE	MODEL	CONNECTION	MATERIAL
ADSP6200007	PP injection valve M - 1/2" Gas (HC150-151)	4 x 6	PP-GL-VT
ADSP6200018	PP injection valve 1/2" (HC999 Mod.3)	6 x 8	PP-GL-VT
ADSP6000051	PP injection valve PVC (HC999 Mod.4)	10 x 14	PVC-GL-VT



CODE	MODEL
ADCAN3	Injection fitting extension quill. PVC double thread 3/8"- 1/2" GM-1/2" GF



CODE	MODEL
ADSP6000041	Anchors and screws



CODE	MODEL	CONNECTION
ADSLG1	A-SL	-



CODE	MODEL	CONNECTION
ADSLG	A-SL	HIRSHMANN



CODE	MODEL	CONNECTION
ADSLG4	A-SL	BNC



CODE	DESCRIPTION	MODEL	CABLE LENGTH
			m
ADELTPH01	Combination pH/Rx electrodes, with bonded cable. Epoxy body. Max pressure 5 BAR. Max temperature 40°C.	A-pH 1	1
ADELTPH05		A-pH 5	5
ADELTPH10		A-pH 10	10
ADELTRX01		A-Rx 1	1
ADELTRX05		A-Rx 5	5
ADELTRX10		A-Rx 10	10
ADELTRX05G		A-Rx 5 Gold	5



CODE	DESCRIPTION	MODEL
ADELVPH	Combination pH/Rx electrodes, Glass body. Max pressure 5 BAR. Max temperature 55°C.	A-VpH
ADELVRX		A-VRx



CODE	DESCRIPTION	MODEL
ADELPPH	Combination pH/Rx electrodes, Epoxy body. Max pressure 5 BAR. Max temperature 40°C.	A-PpH
ADELPRX		A-PRx



CODE	DESCRIPTION	MODEL	CABLE LENGTH
			m
ADCV01	Coaxial cable for use with electrodes with a BNC/SN6.	A-CV 1	1
ADCV02		A-CV 2.5	2.5
ADCV05		A-CV 5	5
ADCV10		A-CV 10	10
ADCV15		A-CV 15	15
ADCV20		A-CV 20	20



CODE	MODEL	USE	RANGE
			ppm
ADCG2	Pt-Cu amperometric probe for free chlorine	Inorganic chlorine	0-10
ADCG5F	Pt-Cu amperometric probe for free chlorine + flow + probe	Inorganic chlorine	0-10
ADCG6F	Pt-Cu amperometric probe for free chlorine + flow + 2 probes	Inorganic chlorine	0-10
ADSP4000620	Replacement kit for Pt-Cu electrode	-	-
ADSP6500009	Balls replacement kit	-	-



CODE	MODEL	USE	RANGE
			ppm
ADELCLJ05	Amperometric probe for free chlorine reading	Inorganic chlorine	0-5
ADELCLJ22	Amperometric probe for free chlorine reading low pH influence	Inorganic chlorine	0-5
ADELCLJ25	Amperometric probe for free chlorine reading low pH influence	Inorganic chlorine	0-5
ADELCLJ25S	Amperometric probe for free chlorine reading low pH influence	Organic chlorine - Salt water	0-5
ADELCLJ35	Amperometric probe for total chlorine reading low pH influence	Total chlorine	0-5
ADELDCJ10	Amperometric probe for chlorine dioxide reading	Chlorine dioxide	0-10
ADELOZJ10	Amperometric probe for ozone reading	Ozone	0-10
ADELPAJ02	Amperometric probe for hydrogen peroxide reading	Hydrogen peroxide	0-200
ADELPAJ02	Amperometric probe for per-acetic acid reading	Per-acetic acid	0-200
ADSP6020051	A-J connection cable	-	-
ADELCLJCC1	Electrolytic solution -ecc1-a-j-probe-adelclj25/220 probe		
ADELCLJCC1S	Electrolytic solution -ecc1s-a-j-probe-Salt water adelclj25/220 probe		
ADELCLJM482	Ion-selective membrane m48.2-a-j probe-adelclj25/220/25s probe		



CODE	DESCRIPTION	MODEL	VALUE
ADSPH4	Buffer solution	pH	4 pH
ADSPH7		pH	7 pH
ADSPH9		pH	9 pH
ADSRX		Rx	475 mV



CODE	MODEL	CONNECTION	MATERIAL	RANGE	COMPATIBILITY
				°C	
ADSTS100	100 Probe body PVC-electrode AISI	MG 1/2"	PVC-AISI	0 - 60	ADIN20S AR10S AESTART
ADSTS100NC	PT 100 probe body PVC	DN 12	PVC	0 - 40	
ADSP4000622	Oring for adaptator (ADSP4000622)	MG 3/4" - 6 1/2"	PVC	-	-
ADSP5007205	Oring for adaptator (ADSP4000622)	-	Viton®	-	-





ADSP3600004



ADSP3600005



ADSP3600010



ADSP3600009



A803R050

CODE	DESCRIPTION	MODEL	CONNECTION
ADSP3600004	SINGLE modular probe holder, compatible up to 5 module, PVC body, Viton® seals, max pressure 5 BAR, working temperature 5-60°C	Module with filter - flow sensor - water check - temperature	G1/2" - 10 x 145
ADSP3600005		Module for electrode A-EL	-
ADSP3600010		Module for electrode A-J	-
ADSP3600009		Module for threaded electrode PG 13,5	-
A803R050		430 micron replacement filter cartridge	-



ADPSM097



ADPSM0126



ADPSM01233

CODE	DESCRIPTION	MODEL	CONNECTION
ADPSM097	COMPLETE modular probe holder, compatible up to 5 module, PVC body, Viton® seals, max pressure 5 BAR, working temperature 5-60°C	Modular probe holder with filter - 1x A-EL-GF 1/2"	G1/2" - 10 x 145
ADPSM01233		Modular probe holder with filter - Flow sensor - 2x A-EL	G1/2" - 10 x 145
ADPSM0126		Modular probe holder with filter - Flow sensor - 1x A-J	G1/2" - 10 x 145

CODE	DESCRIPTION	PIPE DIAMETER	MATERIAL	CONNECTION
ADPSTC	Collar injection probe holder 2 in 1	DN 50-63	PP-VL-VT	4 x 6





CODE	DESCRIPTION
ADSP6100087	Connection kit for 2 modules
ADSP6100088	10 x 14 pipe connection kit G 1/2"
ADSP6000254	10 x 14 tube kit 4 mt.

CODE	DESCRIPTION	PIPE DIAMETER	CONNECTION
ADSP6000111	Threaded T collar for pipes	DN 50	G 1/2"
ADSP6000113		DN 63	G 1/2"



CODE	DESCRIPTION	PIPE DIAMETER	CONNECTION
ADPST1	Threaded probe holder	pH-Rx-Ø12mm	G 1/2"



CODE	MODEL	CONNECTION
ADPSD	Modular probe holder with 2 pH-Rx probes compatible	G 3/8" - 4 x 6
ADPSD2	Modular probe holder with 2 pH-Rx probes compatible	G 1/2" - 10 x 14



CODE	MODEL	LENGTH
		m
ADPSI05	Immersion probe holder for pH-Rx probe	0.5
ADPSI10	Immersion probe holder for pH-Rx probe	1
ADPSI15	Immersion probe holder for pH-Rx probe	1.5
ADPSI20	Immersion probe holder for pH-Rx probe	2
ADPSI30	Immersion probe holder for pH-Rx probe	3



CODE	DESCRIPTION
ADFLA	Flange for immersion probe holder





ADSP3600004



ADSP4000045

CODE	DESCRIPTION
ADSP4000048	Panel 500 x 600 ABS embossed grey
ADSP4000045	Panel 600 x 650 ABS embossed grey

CODE	DESCRIPTION
ADSP4000047	Drawer buffer solutions



08

CODE	DESCRIPTION
ADSP4000046	Cover mm 435 x 85 ABS embossed grey



CODE	DESCRIPTION
ADSP6000764	Self-tapping screw Ø4.2 x 16
ADSP6020306	Seal expanded rubber mm 436 x 86



CODE	DESCRIPTION	CONNECTION
ADFV	5" water filter fitted with 80 micron net cartridge, Black PP head, transparent SAN sump	G 3/8" - 4 x 6
ADFV3	5" water filter fitted with 80 micron net cartridge, Black PP head, transparent SAN sump	G 1/2" - 10 x 14
A4030100	RLA cartridge 80 MICRON	-



A-CON

Threaded Water Meters with pulse output.

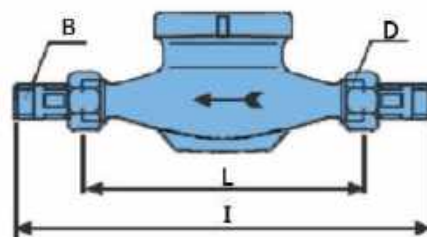


TECHNICAL FEATURES

TECHNICAL FEATURES							
Gauge - Size - DN	mm	13	20	25	30	40	50
Qmax max. flow rate (CEE)	m ³ /h	3	5	7	10	20	30
QN Nominal flow rate (CEE)	m ³ /h	1.5	2.5	3.5	5	10	15
Minimum Flow Qmin (CEE)	l/h	30	50	70	100	200	450
Minimum Working Temperature	°C	40	40	40	40	40	40
Max Working Pressure	BAR	16	16	16	16	16	16
Pulse emitter	4 imp / 1lt (k=0.25)						

DIMENSIONS

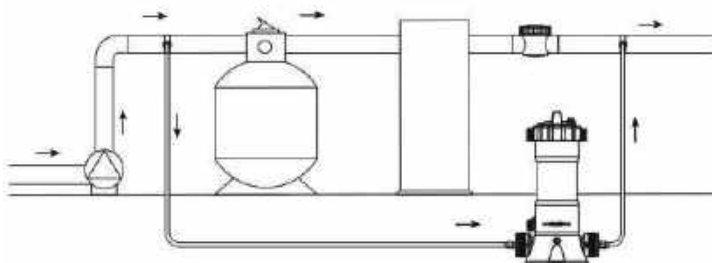
CODE	CONNECTION		DN mm	Qn m ³	PN	L mm	I mm
	B	D					
ADCONRC00	1/2"	3/4"	13	1.5	16	110	190
ADCONRC01	3/4"	1"	20	2.5	16	130	230
ADCONRC02	1"	1 1/4"	25	3.5	16	260	360
ADCONRC03	1 1/4"	1 1/2"	30	5	16	260	380
ADCONRC04	1 1/2"	2"	40	10	16	300	440
ADCONRC05	2"	2 1/2"	50	15	16	300	460



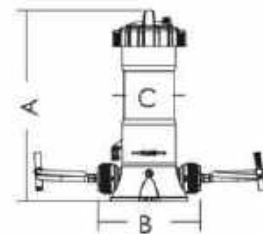
CODE	CONNECTOR	IN-OUT	PULSES	FLOW RATE	PACKING	WEIGHT	VOLUME
				m ³ /h		kg	m ³
ADCONRC00	HIRSMANN	G 1/2"	4 IMP/lt	1.5	1		
ADCONRC000B	BNC	G 1/2"	4 IMP/lt	1.5	1		
ADCONRC01	HIRSMANN	G 3/4"	4 IMP/lt	2.5	1		
ADCONRC010B	BNC	G 3/4"	4 IMP/lt	2.5	1		
ADCONRC02	HIRSMANN	G 1"	4 IMP/lt	3.5	1		
ADCONRC020B	BNC	G 1"	4 IMP/lt	3.5	1		
ADCONRC03	HIRSMANN	G 1 1/4"	4 IMP/lt	5	1		
ADCONRC030B	BNC	G 1 1/4"	4 IMP/lt	5	1		
ADCONRC04	HIRSMANN	G 1 1/2"	4 IMP/lt	10	1		
ADCONRC040B	BNC	G 1 1/2"	4 IMP/lt	10	1		
ADCONRC05	HIRSMANN	G 2"	4 IMP/lt	15	1		
ADCONRC050B	BNC	G 2"	4 IMP/lt	15	1		

06 HEAVY DUTY CHLORINE FEEDER

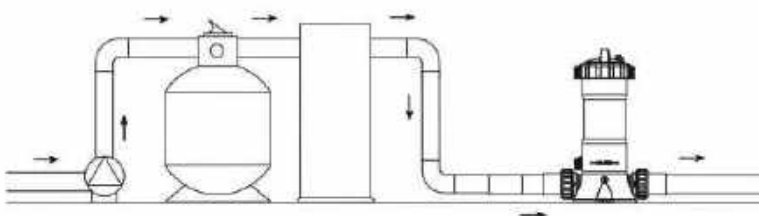
- Offer user-friendly solution for sanitizing large residential and commercial swimming pool using either chlorine or bromine tablets
- Heavy duty and able to provide automatic sanitization for pools up to 608000 litres.
- Both in-line and off-line plumbing installations are available in 2 sizes.
- CL-300F IN-line: with direct pipe connections of 1.5"
- CL-320F Off-line: for bypass connections via flexible tubing,with fittings.
- CL-400F IN-line: with direct pipe connections of 1.5"
- CL-420F Off-line: for bypass connections via flexible tubing,with fittings.



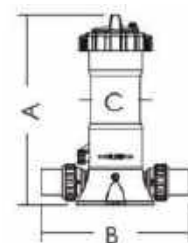
CL-320F,CL-420F



CL-320F,CL-420F



CL-300F,CL-400F

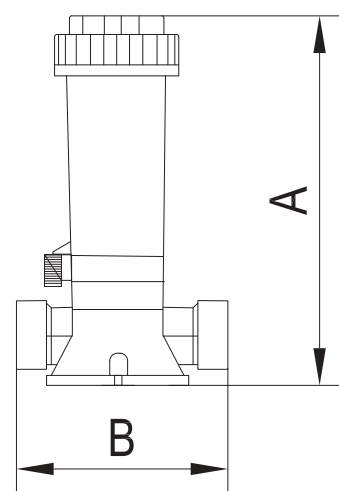


CL-300F,CL-400F

CODE	DIMENSIONS			LOADING CAPACITY	PACKING	WEIGHT	VOLUME
	A	B	C			kg	m ³
CL-300F	420	330	110	2	1	2	
CL-320F	420	230	110	2	1	4	
CL-400F	705	330	110	4	1	2	
CL-420F	705	230	110	4	1	4	

07 STANDARD CHLORINE FEEDER

- CL-100F In-line: with direct pipe connections of 1.5@ inside and 2@ outside
- CL-110F Off-line: For bypass connections via flexible tubing, with fittings.
- CL-200F In-line: With direct connections of 1.5 @ inside and 2@outside
- CL-220F Off-line: For by-pass connections via flexible tubing, with fittings.



CODE	DIMENSIONS		LOADING CAPACITY	PACKING	WEIGHT	VOLUME
	A	B			kg	m ³
CL-100F	358	205	1.8	1	1.4	0.01
CL-110F	358	205	1.8	1	1.5	0.01
CL-200F	386	229	4.5	1	2.2	0.01
CL-220F	386	229	4.5	1	2.5	0.01

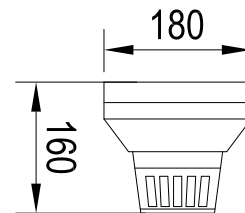
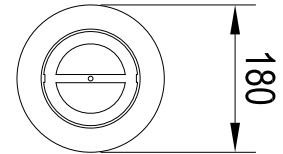
08 FLOATING DISPENSERS

For tri-chloride tablets.



CL-101

CL-102



CODE	DOSAGE REGULATOR	LOADING CAPACITY	PACKING	WEIGHT	VOLUME
				kg	m ³
CL-101	●	1 kg	10	5.8	0.069
CL-102	●	1 kg	8	2.6	0.070



09 DISINFECTION

INDEX

01	AQUA SALT	308
02	COMMERCIAL SALT CHLORINATOR	312
03	“QUANTUM”	314
04	PRO POOL	316
05	HR UVC STERILISER	318
06	UV SYSTEM INDIUM	320
07	AQUA PRO UV	321
08	OXYGENATION AND IONIZATION	324
09	COPPER IONIZER UV	326
10	AQUA COMPACT OZONE & UV-C	328
11	AQUA OZONE EQUIPMENT “POP-I & II”	330
12	AQUA OZONE EQUIPMENT “CT-10 & CTO-20”	331
13	AQUA OZONE EQUIPMENT “POS”	332
14	AQUA OZONE EQUIPMENT “CTO 50, 100, 150, & 200”	334
15	OZONE DESTRUCTOR	336
16	OZONE MIXING DEGAS VESSEL	337

01 AQUA SALT

AQUA SALT™ SALT CHLORINATOR

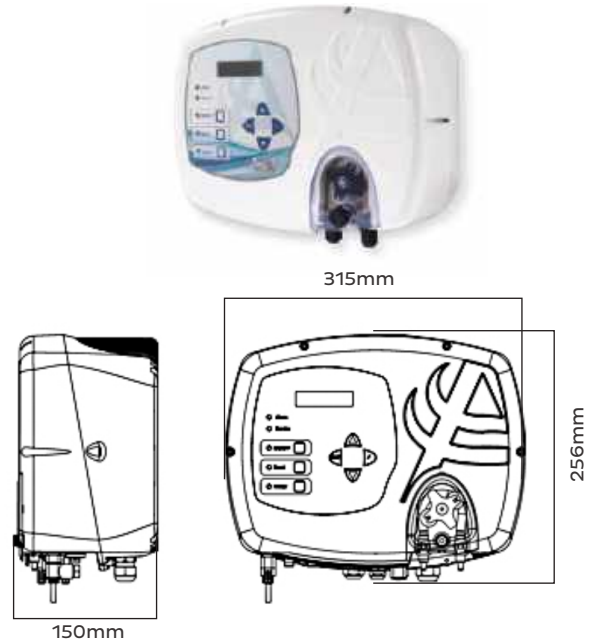
CONTEXT OF USE:

- For public and private pools
- Aqua salt control unit available in 4 versions:
 - 1. Standard model:** internal/external time-controlled
 - 2. Model pH:** same as standard model with additional control and dosing of acid/alkaline pH corrector/ via peristaltic pump;
 - 3. Model pH-Rx:** same as model pH with additional Rx reading for modulation of Cell chlorine generation
 - 4. Model pH-ClJ:** (mounted on a thermoformed panel): same as model pH with additional Cl reading (PPM) for modulation of Cell chlorine generation.

TECHNICAL FEATURES:

- Compatible with all sizes of electrolytic cells ADCEL
- IP65 protection
- Max working temperature 40°C
- Max chlorine production: 40 g/h**
- Swimming pool dimension (Max)200mc*
- Double safety on the presence of flow
- Language selection
- Pump feeding for salt concentration restoring
- Cell cleaning through polarity inversion
- Control of real use and maintenance alarms
- Approximate Salt level calculation with range alarms
- Additional timer for circulating pump
- Software for Windows-based management free for all models (RS232 port standard for all models)
- Power supply: 180÷260 Max consumption: 300 W
- Cell power supply: 24VDC 10 A
- Available upon request Bluetooth module for connection with APP for Android and Windows phone
- Available upon request MASTER/SLAVE version for parallel multiple connection for swimming pool bigger for 200m

• **PACKAGE SIZE (LXHXW):**
405x200x311 mm



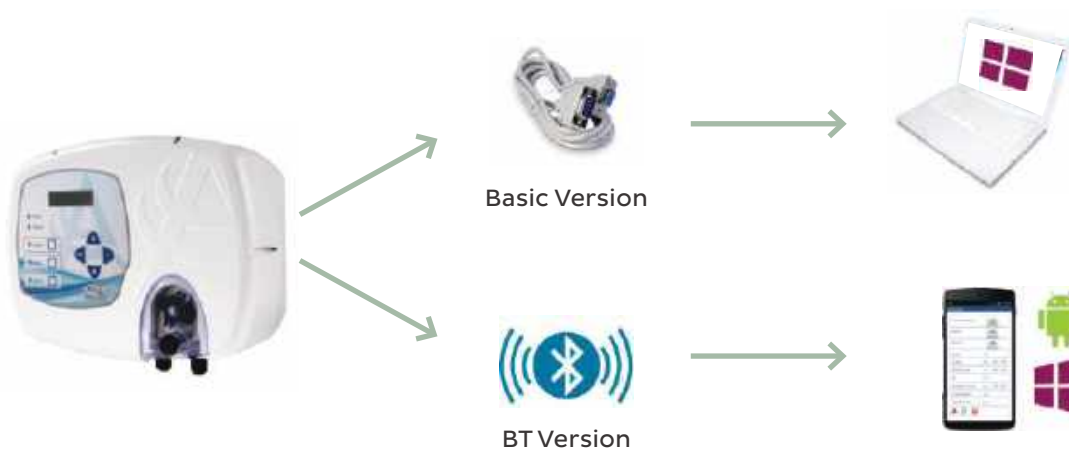
CODE	MODEL	SUITABLE FOR ADCEL	PERISTALTIC PH PUMP ACID/ALKALINE	PACKING	WEIGHT	VOLUME
					kg	m ³
ADSAL110	AQUA SALT STANDARD	50-100-150-200	-	1	3.4	0.025
ADSAL210	AQUA SALT PH	50-100-150-200	1.4 lt/h - 1 BAR	1	3.4	0.025
ADSAL310	AQUA SALT PH-RX	50-100-150-200	1.4 lt/h - 1 BAR	1	3.4	0.025
ADSAL410	AQUA SALT PH-CLJ	50-100-150-200	1.4 lt/h - 1 BAR	1	3.4	0.025

* The installer is in charge for the correct sizing of Chlorine capability that has to respect the country legislation.
For intense use check Master-Slave option

** If the production of 40g/h is not enough for your application you can evaluate the NEW Master/Slave configuration

ITEMS INCLUDED IN THE BOX

STANDARD		 ADSP6020156					
PH		 ADSP6020156	 ADELTPH05	 ADSPH05/7	 ADPSTC	 ADSP6000001	 ADSP6000551
PH-RX		 ADSP6020156	 ADELTPH05	 ADSPH05/7	 ADPSTC	 ADSP6000001	 ADSP6000551
	 ADELTX05G	 ADSRX	 ADSP6000111	 ADSPH05/7			
PH-CLJ		 ADFV3	 ADELTPH05	 ADSPH05/7	 ADSP6000049	 ADSP6000001	 ADSP6000551
	 ADELCLJ25S	 ADSP6000440	 ADSP5005002 ADSP5004002				



With Aqua Salt Bluetooth at any time, you can turn on and turn off the device, activate/deactivate boost, activate/deactivate winter mode, increase/decrease the percentage of chlorine in the pool, read the value of pH and Redox, check alarms, set setpoint of the measures of interest

STABILIZED SALT

Stabilized salt for electrolysis cells, it is often said that common salt or softeners work just as fine. That's wrong! The specific salt for pool contains the stabilizer, which is necessary to keep "Strong" the bonds of the produced chlorine, otherwise very likely to break up due to UV rays. This is what actually guarantees water disinfection



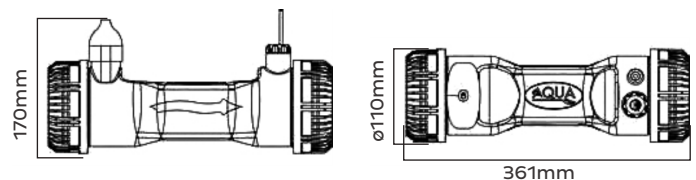
DESCRIPTION:

- NaCl
- Acid isocyanurate
- Magnesium

CODE	DESCRIPTION	WEIGHT	VOLUME
		kg	m ³
700100085	Fine-grained stabilized salt -bags kg.25	18	0.25

ADCEL ELECTROLYTIC CELL

The disinfectant chlorine is produced in the electrolytic cell thanks to an electrolytic reaction that gives sodium hypochlorite from an aqueous solution of sodium chloride. It contains the flow sensor, the titanium plates and a PT100 probe to measure the temperature. The correspondence between swimming pool dimension and cell model is indicative. Please refer to Chlorine production data.



TECHNICAL FEATURES:

- Titanium plates
- Connection pins made in AISI 316
- In-built flow sensor
- PT100 temperature probe
- Max. operating pressure: 3.75 bar
- Max. chlorine production: 40 g/h**
- Hydraulic connections of the cell: d.50 or d.63

- Max water hardness 30°F*
- Transparent body of the replaceable cell
- Cell power supply: 24VDC
- Max. absorbed power: 240 W

Note: For water hardness higher than 30°F we recommend anti-scale devices (water softeners)

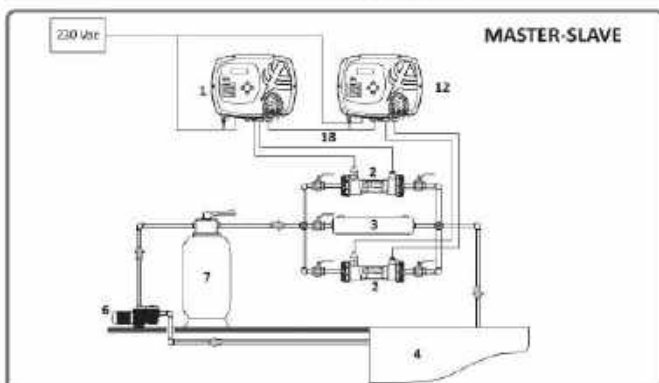
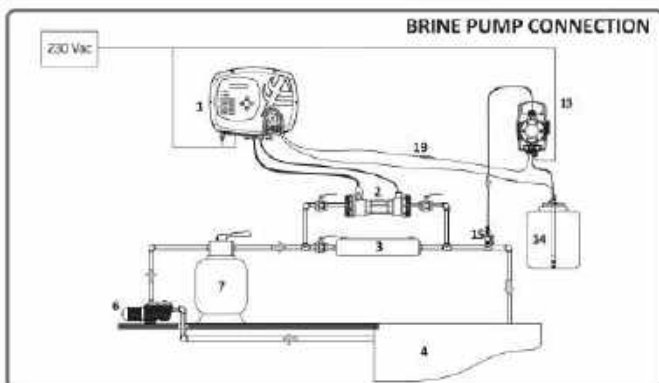
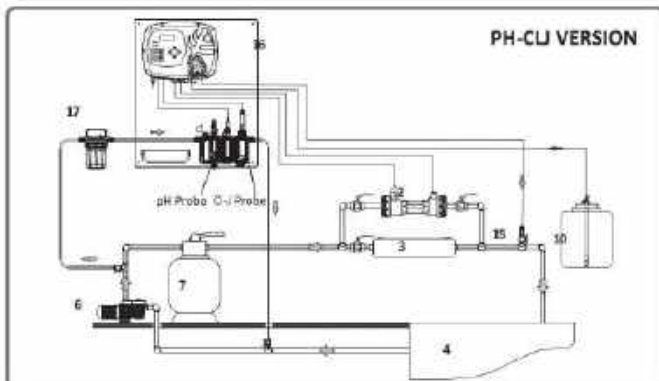
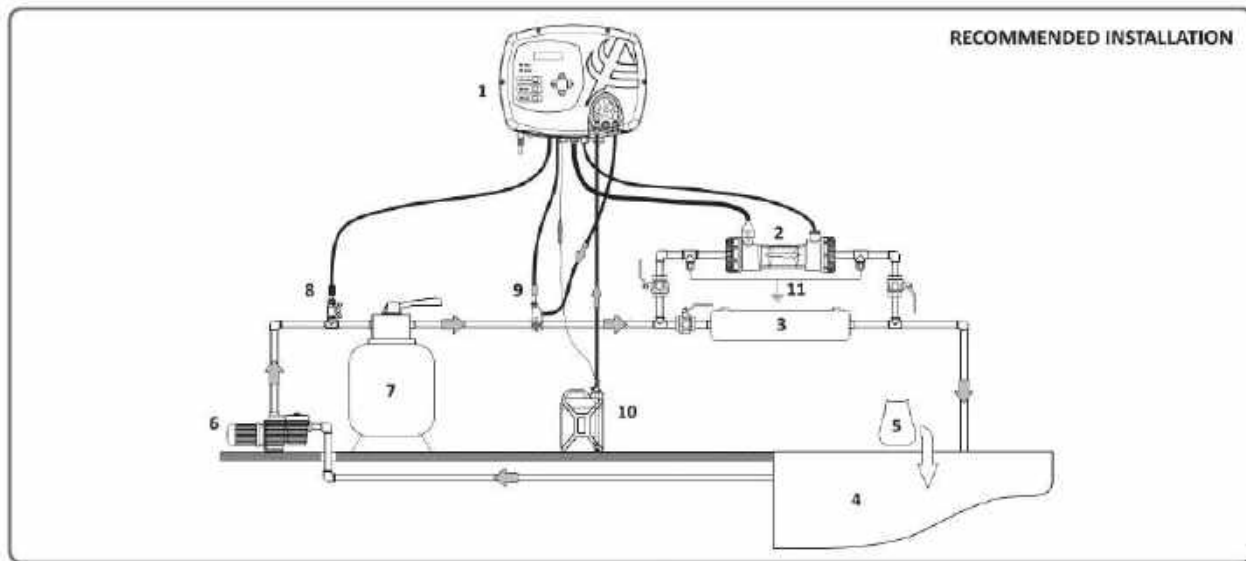
PACKAGE SIZE (LXHXW):
385x150x140 mm

CODE	MODEL	MAX. POOL DIMENSION	CHLORINE PRODUCTION	RECOMMENDED SALT LEVEL	MAX SALT LEVEL	PACKING	WEIGHT	VOLUME
		m ³	g/h	g/lt	g/lt		kg	m ³
ADCELSPA	SPA	Up to 5	Up to 0.8	3.5 - 4.5	8	1	1.9	0.008
ADCEL050	50	Up to 50*	Up to 10	3.5 - 4.5	8	1	1.9	0.008
ADCEL100	100	Up to 100*	Up to 20	3.5 - 4.5	8	1	1.9	0.008
ADCEL150	150	Up to 150*	Up to 30	3.5 - 4.5	8	1	1.9	0.008
ADCEL200	200	Up to 200*	Up to 40	3.5 - 4.5	8	1	1.9	0.008

* The installer is in charge for the correct sizing of Chlorine capability that has to respect the country legislation. For intense use check Master-Slave option

** If the production of 40g/h is not enough for your application you can evaluate the NEW Master/Slave configuration

INSTALLATION EXAMPLE



1. Aqua Salt control unit (Master in Master/Slave system)
2. Electrolytic cell
3. Heater
4. Swimming pool
5. Salt
6. Recirculating pump
7. Sand filter
8. Collar with Rx probe
9. Collar 2 in 1 with pH probe and injection of pH corrector pH
10. pH corrector
11. Grounding kit connection
12. Aqua Salt Slave
13. HC899 pump for brine dosage
14. Brine tank with lance and level sensor
15. Collar with injection junction
16. Aqua Salt pH-CLJ panel with probe and probe holder
17. Prefilter for pH-CLJ panel
18. Connecting cable for Master-Slave
19. Connecting cable for brine pump

NEW CONFIGURATION MASTER / SLAVE

Thanks to the new MASTER / SLAVE version available on request for 2016 you can now connect in parallel a desired number of AQUA SALT systems. In this way the chlorine generation capacity is not limited to 40g per hour but can reach any required value.

When connecting MASTER / SLAVE, the main system (MASTER) powers on the N secondary systems (SLAVE).

The Master System can be either Standard / PH / PH - RX / PH - CLJ, the SLAVE system is always a Standard type.

In order to select your MASTER / SLAVE system please contact the sales offices of AQUA SPA.

02 COMMERCIAL SALT CHLORINATOR

AutoChlor

FRESH WATER ELECTROLYSERS CHLORINE GENERATOR



- Reverse polarity leads to reduction in maintenance by de-scaling calcium build-up on the electrode
- Powered by switch mode power supply (SMPS)
- Considerably more efficient than transformer powered electrolyzers/chlorine generators
- Expected electrode life – 45,000 hours
- Build-in cell cleaning function
- Sealed, internally cooled power supply (IP 44)
- Skid mounted modular design
- TDS Range: 1,200 – 4,000 ppm
- Warranty – 3 years

MODEL	CHLORINE g/h		POWER KW		MINIMUM WATER FLOW	DN	DIMENSION L x W x H (cm)	PACKING	WEIGHT kg	VOLUME m ³
	at 1200 mg/l TDS	at 2500 mg/l TDS	at 1200 mg/l TDS	at 2500 mg/l TDS						
FDRCN-65	65	98	1.1	0.93	80	50	120 x 62 x 127	1	172	
FDRCN-100	98	147	1.66	1.39	120	50	120 x 62 x 127	1	178	
FDRCN-130	130	196	2.2	1.85	230	80	137 x 62 x 148	1	234	
FDRCN-200	195	294	3.31	2.78	230	80	137 x 62 x 148	1	238	
FDRCN-260	260	392	4.41	3.7	480	100	160 x 65 x 159	1	310	
FDRCN-325	325	490	5.51	4.63	480	100	160 x 65 x 159	1	320	
FDRCN-400	390	588	6.61	5.55	480	100	160 x 65 x 159	1	340	
FDRCN-550	552	833	9.36	7.86	750	125	140 x 100 x 159	1	470	
FDRCN-650	650	980	11.02	9.25	750	125	140 x 100 x 159	1	490	
FDRCN-800	780	1180	13.22	11.14	900	150	156 x 940 x 159	1	540	
FDRCN-1100	1105	1670	18.73	15.77	1280	150	166 x 118 x 159	1	740	
FDRCN-1300	1300	1742	22.03	16.45	1710	150	166 x 118 x 159	1	890	
FDRCN-1700	1660	2500	28.14	23.6	1920	200	175 x 160 x 159	1	1170	
FDRCN-2000	1950	2613	33.05	24.66	2250	250	175 x 160 x 159	1	1340	
FDRCN-2200	2210	3330	37.46	31.44	2580	250	186 x 185 x 159	1	1650	
FDRCN-2600	2600	3480	44.07	32.88	3000	250	186 x 185 x 159	1	1980	
FDRCN-2800	2760	4165	46.78	39.32	3200	300	256 x 203 x 159	1	2470	
FDRCN-3300	3315	4998	56.27	47.18	3750	300	270 x 203 x 159	1	2580	
FDRCN-4000	3900	5226	66.1	49.33	4500	300	270 x 203 x 159	1	2750	

SALT WATER ELECTROLYSERS

AutoChlor

- Reverse polarity leads to reduction in maintenance by de-scaling calcium build-up on the electrode
- Powered by switch mode power supply (SMPS)
- Considerably more efficient than transformer powered chlorine generators
- Expected electrode life – 45,000 hours
- Build-in cell cleaning function
- Sealed, internally cooled power supply
- Skid mounted design (Ip44)
- Salinity 4000ppm – 35000ppm / sea water
- Warranty – 3 years



MODEL	CHLORINE	POWER CONSUMPTION	MINIMUM WATER FLOW	PIPE DN	DIMENSION	PACKING	WEIGHT	VOLUME
	Grams/Hours	kW	Liters/Minute		L x W x H (cm)		kg	m ³
SRC-100	100	0.58	150	50	92 x 78 x 113	1	140	
SRC-150	150	0.87	150	50	92 x 78 x 113	1	160	
SRC-200	200	1.16	150	50	100 x 97 x 112	1	190	
SRC-300	300	1.74	150	50	100 x 97 x 112	1	200	
SRC-400	400	2.32	150	50	101 x 102 x 123	1	210	
SRC-500	500	2.9	150	50	101 x 102 x 123	1	220	
SRC-625	625	3.63	150	50	101 x 102 x 123	1	200	
SRC-800	800	4.64	480	100	160 x 65 x 159	1	350	
SRC-1000	1000	5.8	390	80	140 x 100 x 159	1	400	
SRC-1250	1250	7.25	390	80	140 x 100 x 159	1	420	
SRC-1500	1500	8.7	390	80	140 x 100 x 159	1	450	
SRC-2000	2000	11.6	720	125	170 x 118 x 159	1	650	
SRC-2500	2500	14.5	720	125	170 x 118 x 159	1	700	
SRC-3000	3000	17.4	720	125	170 x 118 x 159	1	750	

03 “QUANTUM”

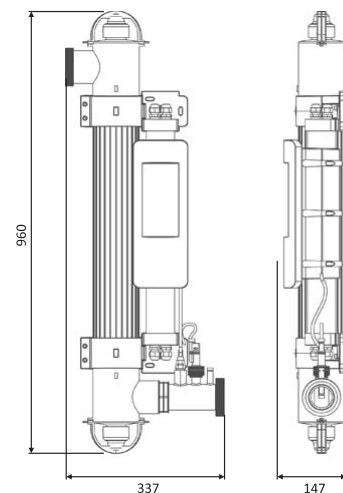
ELECO
ENGINEERING

FEATURES:

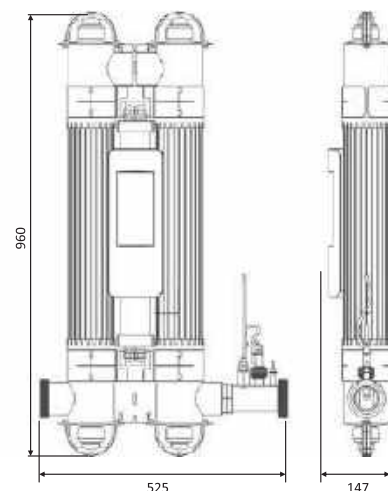
- Combined Photocatalytic & Hydroxyl Radical technology: most powerful, proven oxidizer
- The only water treatment technology available that breaks down organics such as sun tan oil and urea, converting them back into their harmless molecular form
- The powerful technology has the ability to instantly destroy all viruses, bacteria and pathogens
- Destroys harmful chloramine
- Two power options:
 - 55 Watts for flow rates up to 16m³/hour (65m³ pool volume)
 - 110 Watts for flow rates up to 32m³/hour (130m³ pool volume)
- Ensures a significant reduction in chemical consumption
- Reaction is contained within the chamber releasing only pure, fresh water
- Comes pre-assembled with all necessary sensors and control components
- Ultimate sterilization without compromise to health; eliminates sore eyes, itchy skin, discolored hair, strong odors whilst creating no risk to the health of pool users
- Sea water compatible
- 14,000-hour lamp life
- All Quantum units are supplied complete with flow switch, lamp life indicator (long-life 14,000 hour lamps) and reset switch



Q-65-UK



Q-130-UK



OPERATION:

The Quantum is a brand new technology to the swimming pool industry with the benefit of being used and approved by high profile industries such as hospitals and drinking water purification companies.

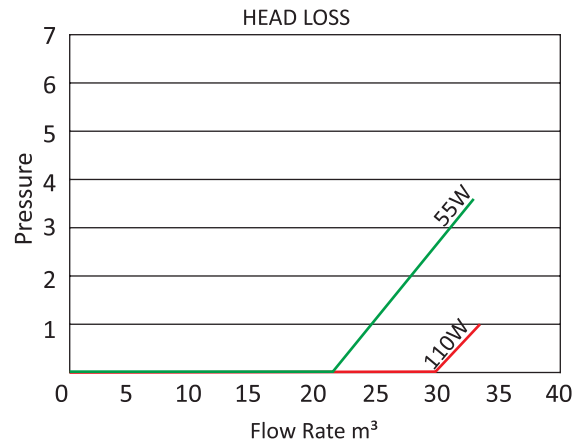
Quantum uses new Nano Crystal technology: a prime focus of the science world today; possessing the power to sterilize sewerage into drinking water without the use of chemicals.

In fact one of the many benefits of the Quantum is a significant reduction of residual chemicals such as chlorine or hydrogen peroxide.

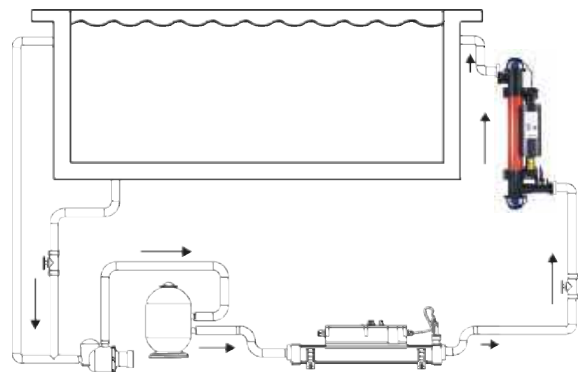
Built to be installed easily into your existing set-up, the Quantum is completely safe and significantly more powerful than chlorine, hydrogen peroxide, UV or ozone. Photocatalytic Oxidisation has an immensely powerful effect with the ability to instantaneously destroy viruses, bacteria and pathogens, and more astoundingly possessing the ability to convert suntan oil, urea and other contaminants back in to their harmless molecular form.

The first cost-effective photocatalytic oxidizer specifically for the swimming pool industry, for a toxic free swimming sensation. Not only does it eliminate undesirable side-effects such as sore eyes, itchy dry skin, discolored hair and strong odours, but it also makes water crystal clear, and most importantly it creates no risk to the lungs or health of bathers and swimming pool attendants.

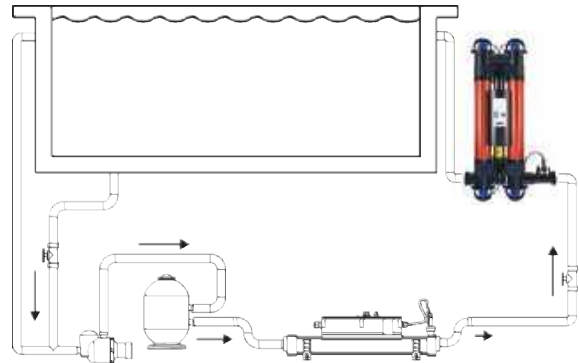
Quantum units are supplied complete with flow switch and a lamp life indicator (which flashes 'Red' when the UV lamps are required to be changed after 14,000 hours) and reset.



INSTALLATION OF Q-65-UK



INSTALLATION OF Q-130-UK



CODE	Q-65-UK	Q-130-UK
TYPE	Single Tube	Double Tube
VOLTAGE AND FREQUENCY	220V ~ 240V 50/60Hz or 110V ~ 120V 50/60Hz	
MAX. OPERATING PRESSURE	3 bar	3 bar
MAX. POWER CONSUMPTION	64 W	128 W
LAMP	Low pressure / High output	
LAMP LIFE	14,000 hours	14,000 hours
MINIMUM FLOW RATE	4 m³/h	4 m³/h
MAXIMUM FLOW RATE	16,000 litres per hour (16 m³/h)	32,000 litres per hour (32 m³/h)
MAXIMUM POOL SIZE	65 m³	130 m³
IP RATING	IP65	IP65
WATER CONNECTIONS	2" / 63 mm stepped and reducers 1 1/2" / 50 mm	
DOSING RATE	Exceeds the equivalent of 30mj/cm² at maximum flow rate	
SALT WATER	100% sea water safe	
APPROVALS	CE approved	
OXIDISATION PROCESSES	Quantum photocatalytic oxidiser (PCO) & hydroxyl radicals (OH)	

04 PRO POOL

ELEGRO
ENGINEERING

FEATURES:

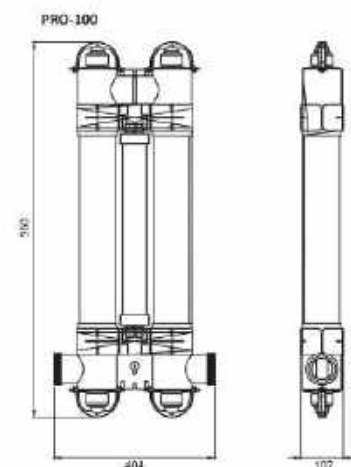
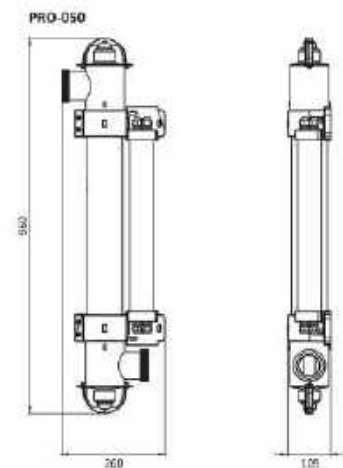
- Suitable for all pools as follows:
 - 55 Watts for flow rates up to 16m³/hour (65m³ pool volume)
 - 110 Watts for flow rates up to 32m³/hour (130m³ pool volume)
- Improves water quality
- Reduces harmful chloramines
- Controls bacteria, micro-organisms and pathogens
- Easily dismantled for maintenance / service
- Easy installation
- Robust, durable construction
- Low maintenance / running costs
- UV Lamps can be replaced without the need to drain the system
- Supplied with mounting brackets for easy wall fixing

OPERATION:

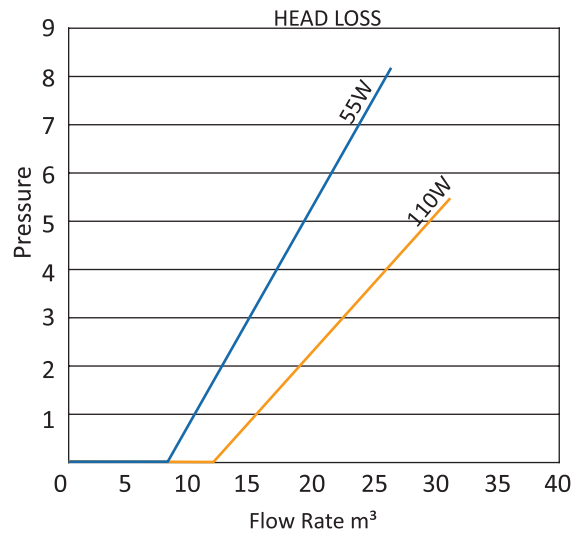
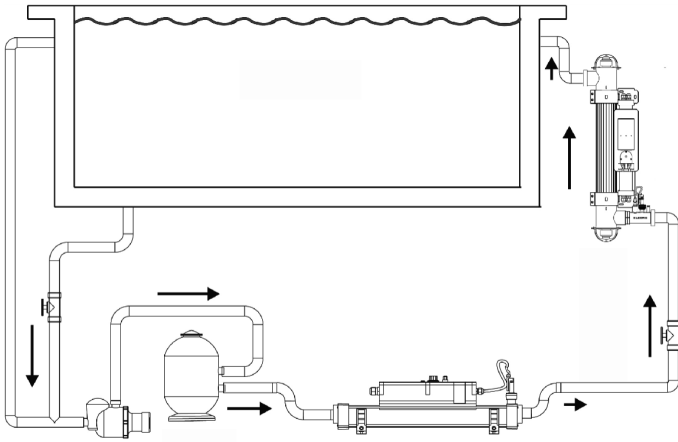
The PRO POOL UV is designed for disinfection of residential pool and spa water, providing cost effective treatment and improved water clarity. The system utilises high output, low pressure UV lamps powered by electronic ballasts which are housed within the center enclosure. The water is routed through a narrow diameter and long flow path, ensuring close and extended UV contact. This design also ensures that the Quartz Sleeves are continuously rinsed by the water flow, avoiding the typical encrustations which would affect UV sanitizing performance.

The inlet and outlet allow easy connection onto existing or new pipework systems and provides complimentary protection against chlorine resistant organisms, as well as enhanced algae control. UV treatment is compatible with all other sanitizers, including chlorine; bromine; active oxygen; peroxide; and copper based compounds, and allows for the levels of these to be significantly reduced.

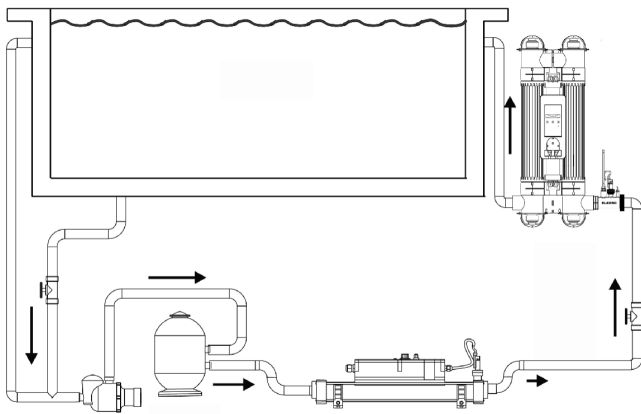
UV treatment introduces no by-products into the water, but also has no residual effect and therefore a small background level of disinfectant should always be maintained.



INSTALLATION OF PRO-050



INSTALLATION OF PRO-100



CODE	PRO-050	PRO-100
TYPE	Single Tube	Double Tube
VOLTAGE AND FREQUENCY	220V ~ 240V 50/60Hz or 110V ~ 120V 50/60Hz	
MAX. OPERATING PRESSURE	3 bar	3 bar
LAMP OUTPUT	55 W	110 W (2 x 55 W)
LAMP	Low pressure / High output	
UV-C OUTPUT	18 W	36 W
LAMP LIFE	8,000 hours	8,000 hours
MINIMUM FLOW RATE	4 m³/h	4 m³/h
MAXIMUM FLOW RATE	16,000 litres per hour (16 m³/h)	32,000 litres per hour (32 m³/h)
MAXIMUM POOL SIZE	65 m³	130 m³
IP RATING	IP65	IP65
WATER CONNECTIONS	2" / 63 mm stepped and reducers 1 1/2" / 50 mm	
DOSING RATE	Exceeds the equivalent of 30mj/cm² at maximum flow rate	
SALT WATER	100% sea water safe	
APPROVALS	CE approved	

05 HR UVC STERILISER

ELECO
ENGINEERING

FEATURES:

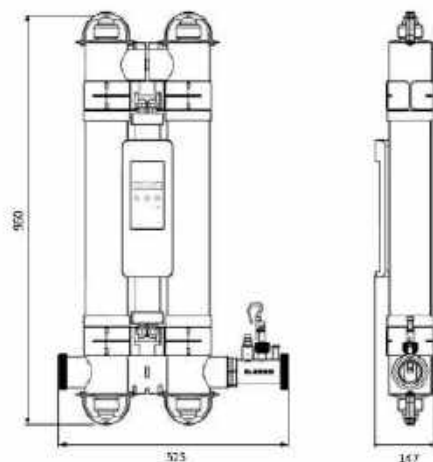
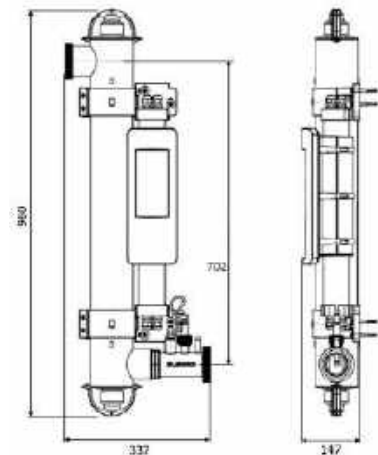
- Unrivalled reflection - up to 95% reflection is achieved drastically improving the efficiency.
- Compatible with and compliments all traditional treatment methods including; Chlorine, Bromine, Active Oxygen Hydrogen Peroxide and Salt electrolysis
- Narrow and extended chamber ensures maximum exposure to the powerful UV-C
- Long lamp life up to 9,000 hours
- Easy to use and install, can be retro-filled to any existing pool system.
- A self-cleaning system, reducing the need for maintenance.
- Intelligent lamp life indicator - signals when the lamps are no longer producing sufficient UV-C and need to be changed. Ensuring your unit is always performing optimally
- Supplied with T-Piece and flow switch

OPERATION:

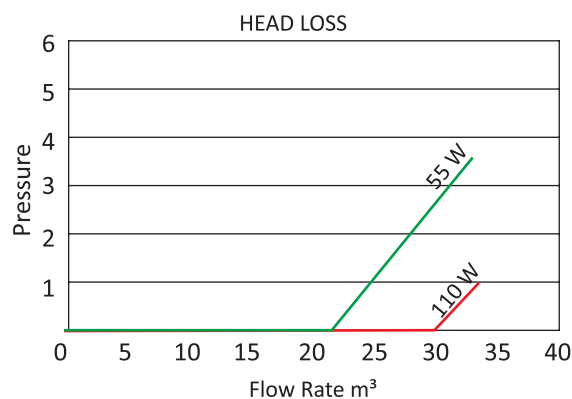
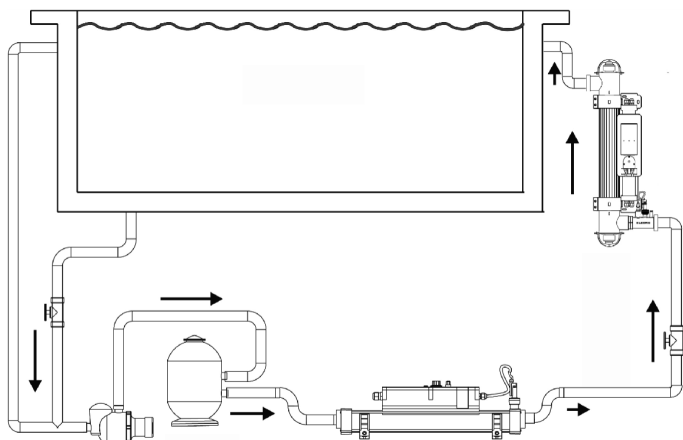
With the H.R.UV-C, up to 95% reflectivity is achieved (if you compare this to stainless steel reactors only 20 to 28% reflection is typically achieved). The H.R.UV-C is 100% sea and saltwater compatible, unlike stainless steel units that suffer corrosion issues.

The super reflective properties of the H.R.UV-C optimizes the UV-C radiation and dramatically increases the performance. The inside surface casing is extremely repellent and therefore self-cleaning.

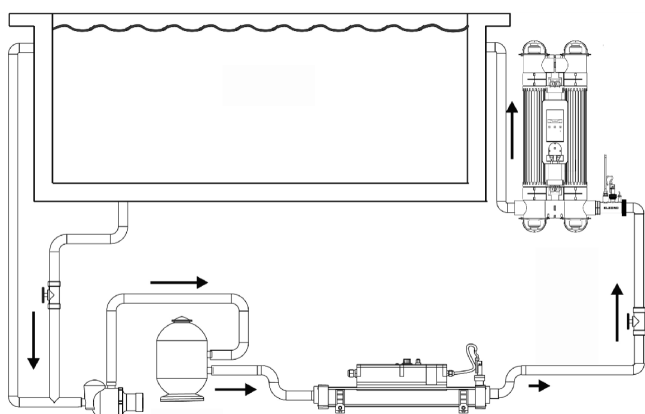
Intelligent electronics indicate when the lamps are not producing sufficient UV-C and need to be changed. Ensuring your unit is always performing optimally.



INSTALLATION OF HR-550UK



INSTALLATION OF HR-110-UK



CODE	HR-55-UK	HR-110-UK
TYPE	Single Tube	Double Tube
VOLTAGE AND FREQUENCY	220V ~ 240V 50/60Hz or 110V ~ 120V 50/60Hz	
MAX. OPERATING PRESSURE	3 bar	3 bar
LAMP OUTPUT	55 W	110 W (2 x 55 W)
LAMP	Low pressure / High output	
UV-C OUTPUT	64 W	128 W
LAMP LIFE	9,000 hours	9,000 hours
MINIMUM FLOW RATE		
MAXIMUM FLOW RATE	14 m³/h	28 m³/h
MAXIMUM POOL SIZE	65 m³	130 m³
IP RATING	IP65	IP65
WATER CONNECTIONS	2" / 63 mm stepped and reducers 1 1/2" / 50 mm	
DOSING RATE	Exceeds the equivalent of 30mj/cm² at maximum flow rate	
SALT WATER	100% sea water safe	
APPROVALS	CE approved	

06 UV SYSTEM INDIUM



- Equipped by standard connections with BSP thread for maximum compatibility installation.
- Tubes of ultrapure quartz, obtained by extrusion, having a minimum permeability of 95%, to guarantee the maximum efficiency of germicidal lamps.
- The locking connectors as well the disinfection chamber are made by stainless steel AISI316L.
- Germicidal lamps with new technology Indium+, high efficiency and long life. These lamps utilize a special combination of alloys to control the internal mercury vapor pressure across a wide temperature range. The result is maximum UV intensity for virtually all applications.
- Power supply: 230VAC -50/60 Hz



CODE	SH i+10	SH i+20	SH i+40	SH i+60	SH i+100	SH i+200
MAX. WORK TEMP	35°C	35°C	35°C	35°C	35°C	35°C
WORK PRESSURE	8 bar	8 bar	8 bar	8 bar	8 bar	8 bar
FLOW RATE	10000 lt/h	20000 lt/h	40000 lt/h	60000 lt/h	100,000 lt/h	200,000 lt/h
POWER ABSORBED	210 Watt	420 Watt	820 Watt	1220 Watt	1600 Watt	2660 Watt
LAMPS	1x200W	2x200W	4x200W	6x200W	4x330W	8x320W
LAMPS LIFE	16000 Hours	16000 Hours	16000 Hours	16000 Hours	16000 Hours	16000 Hours
UV DOSE	>400 mw/cm ²	>400 mw/cm ²	>400 mw/cm ²	>400 mw/cm ²	>400 mw/cm ²	>400 mw/cm ²
CHAMBER MATERIAL	S.Steel AISI316	S.Steel AISI316	S.Steel AISI316	S.Steel AISI316	S.Steel AISI316	S.Steel AISI316
DRAIN	1/4"	1/4"	1/2"	1/2"	1"	1"
PORT SIZE IN-OUT	2" Gas M	2 1/2" Gas M	DN80	DN100	DN125	DN200
TOTAL HOUR COUNTER	Yes	Yes	Yes	Yes	Yes	Yes
UV METER	Optional	Optional	Optional	Optional	Optional	Optional
TEMPERATURE CONTROL	Yes	Yes	Yes	Yes	Yes	Yes
FAULTS ALERT	Yes	Yes	Yes	Yes	Yes	Yes
STATUS LAMP CONTROL	Yes	Yes	Yes	Yes	Yes	Yes
IP CONTROL	IP 55	IP 55	IP 55	IP 55	IP 55	IP 55
WIDTH	155 mm	340 mm	280 mm	280 mm	280 mm	356 mm
HEIGHT	945 mm	945 mm	1130 mm	1130 mm	2000 mm	2000 mm
DEPTH	95 mm	95 mm	390 mm	390 mm	280 mm	356 mm

PS: add -W to include the above UV with wiping mechanism system

07 AQUA PRO UV INOX

The AQUA Pro assortment consists of a complete range of industrial UV-C equipment.

The units provide healthy, clear and safe water.

AQUA Pro UV INOX purifiers are the driving force in an installation; they have the ability to keep the water free of algae, bacteria and fungi.

Each AQUA Pro UV-C purifier is equipped with a control cabinet. There are four options which can be combined with a suitable AQUA Pro unit and several other options like a temperature sensor and a flow switch.



- Each unit is equipped with a 316L stainless steel reactor.
- Each unit is equipped with a UV-C control unit, combination with a Basic, Control Timer, Control Monitor or Control Monitor Plus. UV-C and temperature sensor are optional
- Easy installing and maintenance.

CODE	RECOMMENDED FLOW	RECOMMENDED FLOW	RECOMMENDED FLOW
	at 25mj/cm ² m ³ /h	at 40mj/cm ² m ³ /h	at 60mj/cm ² m ³ /h
PRO-UV- 40-76	3.9	3.9	1.6
PRO-UV-75/76-A	9.0	9.0	3.8
PRO-UV-75-114	13.5	13.5	5.6
PRO-UV-140-114	27.9	27.9	11.6
PRO-UV-140-76	17.9	17.9	7.4
PRO-UV-200-76	24.5	24.5	10.2
PRO-UV-200-154	52.0	52.0	21.7
PRO-UV- 420-168	104	104	43.4
PRO-UV- 400-204	119.5	119.5	49.8
PRO-UV- 600-219	180.1	180.1	75
PRO-UV- 975-306	367.9	367.9	153.3
PRO-UV-1950-306	723.3	723.3	301.4

* CAPACITY BASED ON 250,400,600 J/M²,T10 mm@ 254NM = 95% MPSSM-AVERAGE INTENSITY

CODE	UV-C LAMP POWER CONSUMPTION	REACTOR Ø	REACTOR LENGTH	REACTOR SHAPE	CONNECTION	PACK-ING	WEIGHT	VOLUME
	W	mm	mm				kg	m ³
PRO-UV- 40-76	40	76	370	L	3/4" male thread	1		
PRO-UV-75-76	75	76	655	L	3/4" male thread	1		
PRO-UV-75-114	75	114	850	U	2" male thread	1		
PRO-UV- 140-114	140	114	850	U	2" male thread	1		
PRO-UV- 140-76	140	76	850	U	1.5" male thread	1		
PRO-UV- 200-76	200	76	1100	U	2" male thread	1		
PRO-UV-200-154	200	154	1100	U	90 mm flange	1		
PRO-UV- 420-168	420	168	850	U	3" male thread	1		
PRO-UV- 400-204	400	204	1100	U	110 mm flange	1		
PRO-UV-600-219	600	219	1100	U	140 mm flange	1		
PRO-UV-975-306	975	306	1100	U	DN 250	1		
PRO-UV- 1950-306	1950	306	1100	U	DN 250	1		

SMART PIN TECHNOLOGY

The VGE Pro UV-C Purifiers are equipped with the unique Smart Pin Technology (SPT).

This innovative system is a reliable way to integrate the UV-C lamp(s) in a safe, efficient and smart way in a reactor.

The SPT makes it possible to replace the lamp safely, although the system remains filled with water. If the lamp is mistakenly not turned off during the replacement, it will switch off automatically as soon as it is removed from the socket. Due to the seal between the lamp socket and lamp, the system can be used in situations where IPx4 is required.

The high-quality ceramic is an excellent electrical insulator and is resistant to corrosion.

A visual observation of the operation of the lamp is no problem through various transparent parts.

BENEFITS:

- Prevents the release of harmful UV-C radiation
- Changing the UV-C lamp with water in the system
- Resistant to corrosion
- Splash proof
- Visual inspection for operation of the lamp
- Clamping system for optimal seal function
- Lamp replacement without tools



AQUA PRO CONTROL UNITS

Each AQUA Pro UV-C purifier is equipped with a control cabinet.
The following overview provides the advantages per control unit for a AQUA Pro UV-C purifier.

CONTROL UNIT	AQUA PRO Control Monitor	AQUA PRO Control Monitor Plus	AQUA PRO UV BASIC	AQUA PRO UV CONTROL TIMER
				
ELECTRICAL BALLAST	✓	✓	✓	✓
MICROPROCESSOR CONTROLLED FUNCTIONS	✓	✓		
UV MONITORING BY SENSOR	✓	✓		
TEMPERATURE MONITORING ON SENSOR	✓			
TEMPERATURE MONITORING ON BASE BOARD	✓			
LAMP HOUR COUNTER	✓	✓		✓
ACTUAL LAMP CURRENT AND LAMP POWER	✓			
SWITCH ON CYCLE COUNTER	✓	✓		
INTERLOCK INPUT FOR EXTERNAL FLOW SWITCH	✓	✓		
INRUSH CURRENT LIMITATION	✓			
LCD DISPLAY AND BUTTONS MOUNTED IN THE FRONT	✓	✓		✓
MAIN SWITCH	✓	✓		
MULTI-COLOUR DISPLAY	✓	✓		
POLYCARBONATE CABINET		✓		
ABS CABINET			✓	✓
STEEL POWDER COATED CABINET	✓			
ALARM FUNCTIONS UV TEMPERATURE FAILED LAMPS	✓	✓		
STOP IF ERROR AND ALARM FUNCTION	✓			
REMOTE SWITCH, INTERLOCK AND MAIN SWITCH	✓			
MULTIPLE LANGUAGES	✓	✓		
REALLY CONTACTS	✓	✓		
4-20MA SIGNAL INPUT /OUTPUT	✓	✓		
LAMP/BALLST SAFETY MECHANISMS	✓			
DIMENSION CONTROL UNIT	✓	300 X 320 X 110 MM	380 X 190 X 130 MM	350 X 100 X 180 MM



AQUA PRO UV HDPE

The AQUA Pro assortment consists of a complete range of industrial UV-C equipment.

The units provide healthy, clear and safe water.

AQUA Pro UV HDPE purifiers are the driving force in an installation; they have the ability to keep the water free of algae, bacteria and fungi.

Each AQUA Pro UV-C purifier is equipped with a control cabinet. There are four options which can be combined with a suitable VGE Pro unit and several other options like a temperature sensor and a flow switch.



- Each unit is equipped with a HDPE reactor.
- Each unit is equipped with a UV-C control unit, combination with a Basic, Control Timer, Control Monitor or Control Monitor Plus. UV-C and temperature sensor are optional
- Easy installing and maintenance.

CODE	RECOMMENDED FLOW	RECOMMENDED FLOW	RECOMMENDED FLOW
	at 30mj/cm ² m ³ /h	at 40mj/cm ² m ³ /h	at 60mj/cm ² m ³ /h
PRO-HD-UV-75 -110	11.2	8.4	5.6
PRO-HD-UV- 140-110	20.1	15.1	10.1
PRO-HD-UV- 200-110	27.2	20.4	13.6
PRO-HD-UV- 200-160	39.2	29.4	19.6
PRO-HD-UV- 400-200	90.8	68.1	45.4
PRO-HD-UV- 600-225	134.1	100.6	67.1
PRO-HD-UV- 975-315	282	211.5	141.0
PRO-HD-UV-1950-315	553.7	415.2	276.8

* CAPACITY BASED ON ,300,400,600 J/M²,T10 mm@ 254NM = 95% MPSSM-AVERAGE INTENSITY

CODE	UV-C LAMP POWER CONSUMPTION	REACTOR Ø	REACTOR LENGTH	REACTOR SHAPE	CONNECTION	PACK-ING	WEIGHT	VOLUME
	W	mm	mm				kg	m ³
PRO-HD-UV- 75 -110	75	110	850	U	2" male thread	1		
PRO-HD-UV- 140-110	140	110	850	U	2" male thread	1		
PRO-HD-UV- 200-110	200	110	1100	U	3" male thread	1		
PRO-HD-UV- 200-160	200	160	1100	U	90 mm flange	1		
PRO-HD-UV- 400-200	2 X 200	200	1100	U	110 mm flange	1		
PRO-HD-UV- 600-225	3 X 200	225	1100	U	140 mm flange	1		
PRO-HD-UV- 975-315	3 X 200	315	1670	U	160 mm flange	1		
PRO-HD-UV- 1950-315	3 X 200	315	1670	U	225 mm flange	1		





SMART PIN TECHNOLOGY

The VGE Pro UV-C Purifiers are equipped with the unique Smart Pin Technology (SPT). This innovative system is a reliable way to integrate the UV-C lamp(s) in a safe, efficient and smart way in a reactor. The SPT makes it possible to replace the lamp safely, although the system remains filled with water. If the lamp is mistakenly not turned off during the replacement, it will switch off automatically as soon as it is removed from the socket. Due to the seal between the lamp socket and lamp, the system can be used in situations where IPx4 is required. The high-quality ceramic is an excellent electrical insulator and is resistant to corrosion. A visual observation of the operation of the lamp is no problem through various transparent parts.

BENEFITS:

- Prevents the release of harmful UV-C radiation
- Changing the UV-C lamp with water in the system
- Resistant to corrosion
- Splash proof
- Visual inspection for operation of the lamp
- Clamping system for optimal seal function
- Lamp replacement without tools



	VGE Pro UV Basic	VGE Pro UV Control Timer	VGE Pro UV Control Monitor	VGE Pro UV Control Monitor Plus
				
Electronic ballast	✓	✓	✓	✓
Microprocessor controlled functions	-	-	✓	✓
UV-monitoring by sensor	-	-	✓	✓
Temperature monitoring by sensor	-	-	-	✓
Temperature monitoring on base board	-	-	-	✓
Lamp hour counter	-	✓	✓	✓
Actual lamp current and lamp power	-	-	-	✓
Switch-on cycle counter	-	-	✓	✓
Interlock input for external flow switch	-	-	✓	✓
Inrush current limitation	-	-	-	✓
LCD Display and buttons mounted in the front	-	✓	✓	✓
Main switch	-	-	✓	✓
Multi-colour display	-	-	✓	✓
Polycarbonate cabinet	-	-	✓	-
ABS cabinet	✓	✓	-	-
Steel powder coated cabinet	-	-	-	✓
Alarm functions UV, temperature, failed lamps	-	-	✓	✓
Stop if error and alarm function	-	-	-	✓
Remote switch, interlock and main switch	-	-	-	✓
Multiple languages	-	-	✓	✓
Relay contacts	-	-	✓	✓
4-20mA signal input/output	-	-	✓	✓
Lamp/ballast safety mechanisms	-	-	-	✓
Dimension control unit	380 x 190 x 130 mm 378 x 278 x 180 mm 560 x 380 x 180 mm	350 x 100 x 180 mm	300 x 320 x 110 mm	450 x 300 x 210 mm 400 x 300 x 150 mm

08 OXYGENATION AND IONIZATION



- Chlorine free /Salt free water Sanitizer
- Implementing oxygen protection, copper ionization technology
- Sanitization through a propriety method of electrolysis whereby the water molecule is split to produce powerful oxidizers and secondary sanitation by releasing of copper ions into the water stream.
- Vastly reduce chemical costs-no chlorine / salt additions to water.
- No chemical / by products -major improvement to human health
- Easy maintenance -weekly check of PH and copper residual only
- 2 yearslimited warranty on electronics and oxygen plates
- Only consumable are: copper Ionization Electrodes-Life span of 12-24 months on average use.
- Free smart phone app detailing installation / maintenance and problem solving guide
- App featuring one touch service contact.

CODE	POWER	CAPACITY	FLOW RATE	MAX PRESSURE	CONSUMPTION	WEIGHT	VOLUME
		m ³	m ³ /h	(Bar)	A	kg	m ³
MK-75	220V	75	20	8	2.5	7	0.05
MK-150	220V	150	40	8	2.5	10	0.06
MK-250	220V	250	60	8	7	35	0.16
MK-500	220V	500	120	8	14	70	0.16
MK-750	220V	750	160	8	21	105	0.16
MK-1000	220V	1000	240	8	28	140	0.16

MK7/CF1-75

FOR POOLS UP TO 75000 L

63 mm electrodes chamber with 1 set of oxygen stack electrodes and 1 set of copper ionization electrodes



MK7/CF1-150

FOR POOLS UP TO 150000 L

90 mm electrodes chamber with 1 set of oxygen stack electrodes and 1 set of copper ionization electrodes



MK7/CF1-250

FOR POOLS UP TO 250000 L

3 x 90mm oxygen stack electrode chambers
1 x 90mm double copper ionization electrode chamber



MK7/CF1-500

FOR POOLS UP TO 500000 L

6 x 90mm oxygen stack electrodes chambers
2 x 90mm double copper ionization electrode chambers



MK7/CF1-750

FOR 5 POOLS UP TO 750000 L

9 x 90 mm oxygen stack electrode chambers
3 x 90 mm double copper ionization electrode chambers



MK7/CF1-1000

FOR 5 POOLS UP TO 1 MILLION L

12x90mm oxygen stack electrodes chambers
4 x 90mm double copper ionization electrodes chambers



09 COPPER IONIZER UV



- This revolutionary combination of UV-C and copper electrolysis in one disinfection system, minimizing the use of chlorine
- A built-in electronic ballast to ensure an efficient and stable power supply
- Enables swimming without the use of chlorine
- Up to 35% more UV-C yield as a result of reflection
- Easy installation and maintenance
- Comes with 63mm to 50mm fittings, 1.5" female threaded

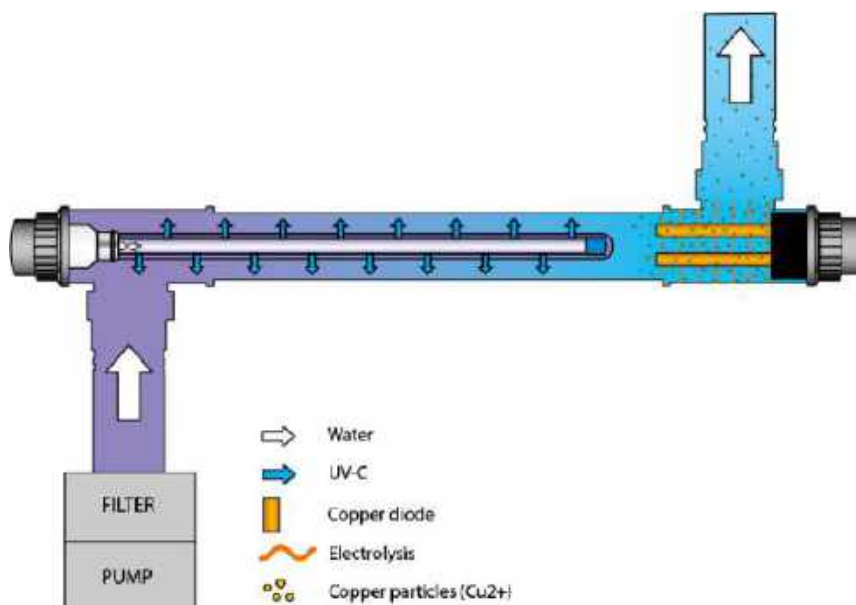


OPERATION:

This revolutionary combination of UV-C and copper electrolysis means you can have a chlorine-free pool! With the Blue Lagoon Copper Ionizer UV-C you have to test your pool water once every two weeks. You only need to test your water values with the supplied test strips and, if necessary, adjust the device to the correct level.

Other ionizer systems dose approximately 2 ppm copper in your pool water.

With Blue Lagoon Copper Ionizer UV-C, a dose of 0,7 ppm will be enough to fully and safely disinfect your pool. This device is able to reduce the chlorine concentration up to 100%! Max. copper:0,7 ppm. Connections: 063mm / 50mm / 1.".



WHAT IS THE DISINFECTION MECHANISM OF COPPER IONIZATION?

Electrically charged copper ions(Cu^{2+})in the water search for particle of opposite polarity, such as bacteria, virus and fungi.

Positively charged copper ions form electrostatic compounds with negatively charged cell walls of microorganisms.

These compounds disturb cell wall permeability and cause nutrient uptake to fail.As result,bacteria are no longer able to multiply and eventually die. The ions remain active until they absorbed by a microorganism.



Please notice the correct grounding

CODE	UV-C-01	UV-C-02
TYPE	40,000/ 40 W	75,000/ 75 W
REC.FLOW FOR 30 MJ/CM2	11 m3/h	16 m3/h
MAX.PRESSURE	2	2
MAX.FLOW	23	23
DIAMETER UNIT	70 mm	70 mm
LENGTH UNIT	100 cm	100 cm
DIAMETER IN -OUTLET	63 mm/50 mm/1.5"	63 mm/50 mm/1.5"
STAINLESS STEEL	316 L	316 L
ELECTRONIC BALLAST	230V AC 50/60Hz	230V AC 50/60Hz
MAXIMUM CURRENT	0.29A	0.29A
LAMP POWER	40 W	75 W
LAMP	T5 40 W Ionizer	T5 75 W Ionizer
LIFESPAN LAMP	9.000 h	9.000 h
COPPER IONIZER	0.7 ppm	0.7 ppm
REPLACE LAMP ALERT	YES	YES
WEIGHT	5 KG	5.2 KG
PACKING VOLUME	0.042	0.042

10 AQUA COMPACT OZONE & UV-C



- This unit provides triple disinfection: ozone, OH radicals and UV-C!
- A built-in electronic ballast to ensure an efficient and stable power supply
- Up to 35% more UV-C yield as a result of reflection
- 100% effective and constant operation
- 316L Stainless steel housing
- The ozone UV-C lamp produces ozone for 4.500 hours and produces UV-C for 9.000 hours
- The device will indicate when the lamp needs replacing
- Easy installation and maintenance

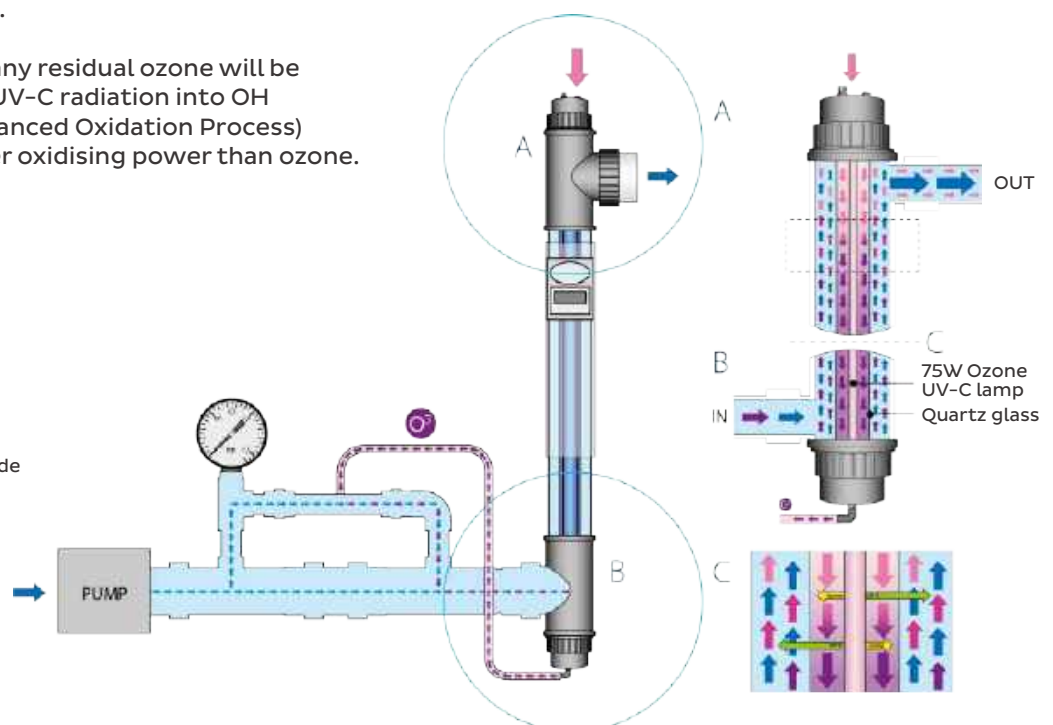


OPERATION:

This revolutionary combination of ozone and UV-C makes it possible to have a pool with minimal chloride usage. Through the supplied venturi, air is sucked in from the outside into the space between the UV-C lamp and the quartz sleeve. The special UV-C lamp generates radiation of both 254nm and 185nm. The 185nm radiation converts the available oxygen into ozone. The produced ozone (max. 0,6 g/h) is mixed with water through the venturi to perform its disinfecting/oxidising job.

Inside the UV-C housing, any residual ozone will be converted by the 254nm UV-C radiation into OH radicals (the so called Advanced Oxidation Process) that have an even stronger oxidising power than ozone.

- Air
- Water
- Air + ozone (O₃)
- Air + ozone (O₃) with hydrozide
- Ozone producing radiation
- UV-C



The lamp has a double function, producing ozone and UV-C light at the same time. The ozone in the water will be completely broken down by the UV-C light, because of this so called OH-radicals are being produced which have a high oxidation potential. This result in oxidation of the organic pollution in the water and the UV-C light will also disinfect the water at the same time.

WHAT IS AOP?

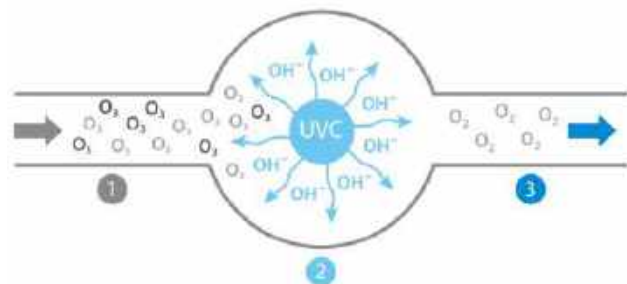
The Advanced Oxidation Process (AOP) combines the benefits of ozone and UV-C into one device. When ozone is used in combination with UV-C light in water, hydroxyl radicals (OH-) are created. These radicals are very effective in oxidizing the water and therefore reduction the organic pollution in the water, also chlorine disinfection by-products such as THM and chloramines are being reduced. The UV-C light not only disinfects the water very effectively (also chlorine resistant organism like Cryptosporidium and Giardia are being inactivated) but it also reduces the chloramines in the water. Because UV-C light will destroy the residual ozone in the water, there is no deozonation device needed. AOP is a very effective and efficient way of sanitizing and disinfecting your pool. As a result the amount of chlorine in a pool can be kept to a minimum.

BENEFITS AOP:

- Strong combination of ozone (oxidation) and UV-C (disinfection)
- Improves the disinfection efficiency
- Makes a pool with a minimal amount of chlorine possible
- Effective against chlorine-resistant microorganisms
- Prevents skin and eye irritation
- Can be quickly added to existing filtration



Please notice the correct grounding



CODE	UVC-03
TYPE	75.000/ 75 W
REC.FLOW FOR 30 MJ/CM2	18 m3/h
MAX.PRESSURE	2
MAX.FLOW	23
DIAMETER UNIT	70 mm
LENGTH UNIT	100 cm
DIAMETER IN -OUTLET	63 mm/50 mm/1.5"
STAINLESS STEEL	316 L
ELECTRONIC BALLAST	230V AC 50/60Hz
MAXIMUM CURRENT	0.57A
LAMP POWER	75 W
LAMP	VGE T5 75 W Ozone
LIFESPAN LAMP	4.500 HOURS OZONE - 9.000 HOURS UVC
OZONE	0.6 gr/h
REPLACE LAMP ALERT	YES
TIMER	YES
WEIGHT	6 KG
PACKING VOLUME	0.053

11 AQUA OZONE EQUIPMENT "POP-I & II"

Aqua pop - I & II are wall-mountable, air-cooled, very ultraviolet (VUV) radiation type ozone generator packages specifically designed for swimming pool applications.

The package incorporates VUV type Ozone generator(s), vacuum trigger box, PVDF check valve & venturi injector, manifold. The ozone contacting vessel and degas valve are optional. These packages are capable of producing ozone in 2g/hr & 4g/hr



Vacuum Trigger Box

Injector Manifold

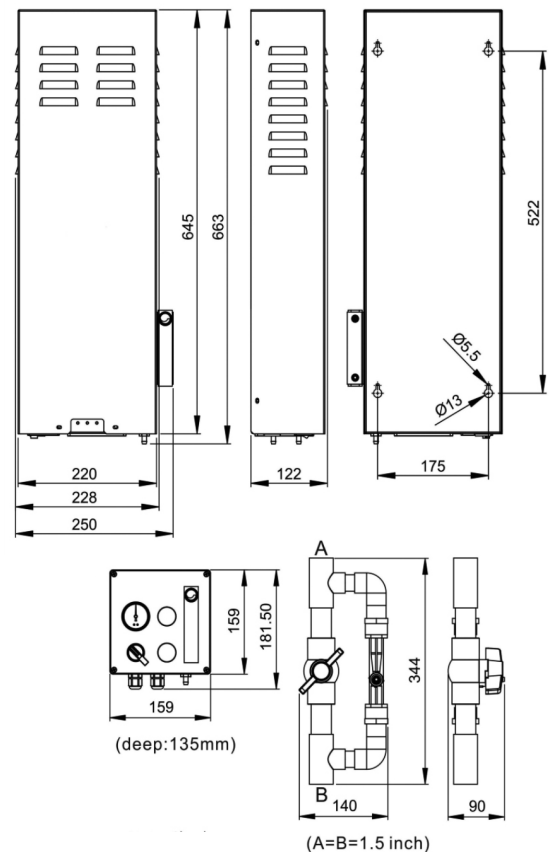
Ozone Generator

DESIGN FEATURES

- Very ultraviolet (VUV) radiation
- Aluminum UV bulb housing
- 10,000.00hr UV Bulb arc Life
- Universal voltage Electronic ballast(s)
- UV bulb failure indicator (s)
- Venturi manifold equipped
- Vacuum trigger Box equipped

BENEFITS

- Clear, cleaner water
- Complete sanitation
- Superior oxidation
- no harmful by-products
- No or reduce chlorine usage
- Neutral PH of water



CODE	POP I	POP II
OZONE OUTPUT	2 g/hr	4 g/hr
MATCHED POOL VOLUME *	Upto 180 m ³	Upto 360 m ³
EQUIPPED GENERATOR QTY.	One	Two
VENTURI MANIFOLD CONNECTION SIZE	Inlet: 0.75" / 25 mm Outlet: 0.75" / 25 mm	Inlet: 0.75" / 25 mm Outlet: 0.75" / 25 mm
POWER REQUIREMENT ** (SINGLE PHASE)	120/240V 60/50Hz -550 W	120/240V 60/50Hz -650 W
OPTIONAL WATER BOOST PUMP REQUIREMENT	2 m ³ @ 30 m Head	2 m ³ @ 30 m Head
OPTIONAL ORP CONTROLLED	n/a	n/a
WEIGHT NET/GROSS	13/18 kg	22/32 kg
PACKING	1	1

* For indoor hotel pool with middle bather load & chlorine as secondary sanitizer only.

** Not include ozone boost water pump's power consumption.

12 AQUA OZONE EQUIPMENT “CT-10 & CTO-20”

The CTO-10 & CTO-20 are wall-mountable, air-cooled, CD type ozone generator packages specifically designed for swimming pool applications. The package incorporates CD type ozone generator with internal PSA oxygen module and with the main function of vacuum triggered system On/Off control & ozone safe interlock, external oil-less compressor, water backflow prevention device and venturi injector manifold. The ozone contacting vessel, degas valve and ORP controller are optional. These packages are capable of producing ozone in 10g/hr & 20g/hr.

DESIGN FEATURES

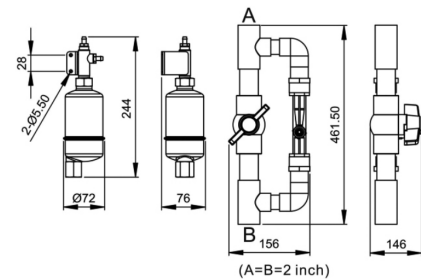
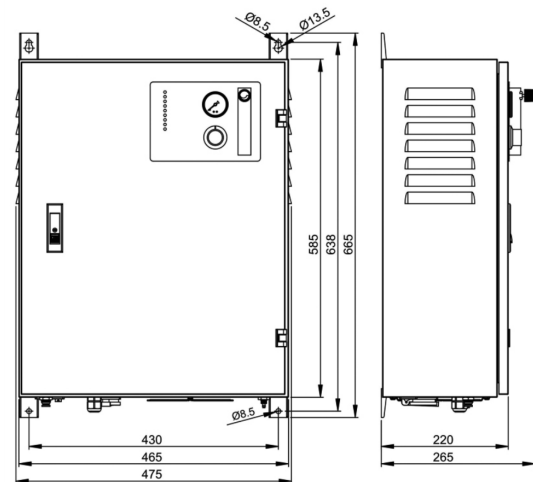
- Corona Discharge (CD)
- Integrated PSA Module
- External Oil-less Compressor
- Automatic Vacuum Trigger
- Ozone ON/OFF Control
- 4-20 ma Ozone Control
- Venturi Injector Manifold
- Auto Drain Valve

BENEFITS

- Clearer, cleaner water
- Complete sanitation
- Superior oxidation
- No harmful by-products
- No or reduce chlorine usage
- Neutral PH of water



Injector Manifold Auto Drain Valve Ozone Generator



CODE	CTO-10	CTO-20
OZONE OUTPUT	10 g/hr	20 g/hr
MATCHED POOL VOLUME *	Upto 450 m ³	Upto 900 m ³
EQUIPPED COMPRESSOR QTY. (FLOW @ PRESSURE)	One (60 LPM @ 2 bar)	One (60 LPM @ 2 bar)
VENTURI MANIFOLD CONNECTION SIZE	Inlet & Outlet: 1”/ 32 mm	Inlet & Outlet: 1”/ 32 mm
POWER REQUIREMENT ** (SINGLE PHASE)	120/240V 60/50Hz -450 W	120/240V 60/50Hz -550 W
OPTIONAL WATER BOOST PUMP REQUIREMENT	2 m ³ @ 30 m Head	2 m ³ @ 30 m Head
ORP CONTROLLED	Option	Option
WEIGHT NET/GROSS	24/30 kg	28/34 kg
EXTERNAL OIL-LESS COMPRESSOR WEIGHT NET/GROSS	11.5/13.5 kg	11.5/13.5 kg
PACKING	1	1

* For indoor commercial pool with middle bather load & chlorine as secondary sanitizer only.
 ** Not include water boost water pump's power consumption.

13 AQUA OZONE EQUIPMENT "POS"

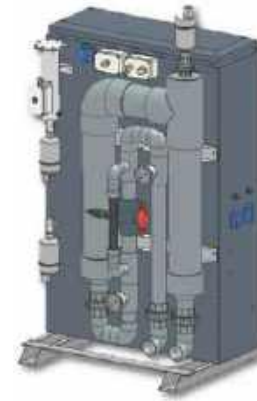
The POS series are turn-key, skid-mount, air-cooled, VUV or CD type ozone/water contacting systems specifically designed for swimming pool applications. The system incorporates complete VUV or CD type ozone generator, oil-less compressor(s), system operation & function indicating control panel, ozone injector with bypass valve, water backflow prevention device, PVC contacting vessel with degas valve, gray epoxy powder coated mild steel cabinet with stainless steel mounting base and with the main function of vacuum triggered system On/Off control & ozone safe interlock both for VUV & CD type, ORP controlled ozone output auto adjusting only for CD type. The water boost pump, ORP controller & ozone destructor are optional. POS in VUV type produces ozone in 4g/hr, 6g/hr & 8g/hr; POS in CD type produces ozone in 10g/hr, 20g/hr, 30g/hr & 40g/hr.

DESIGN FEATURES

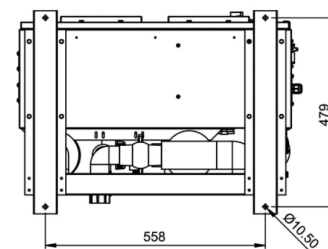
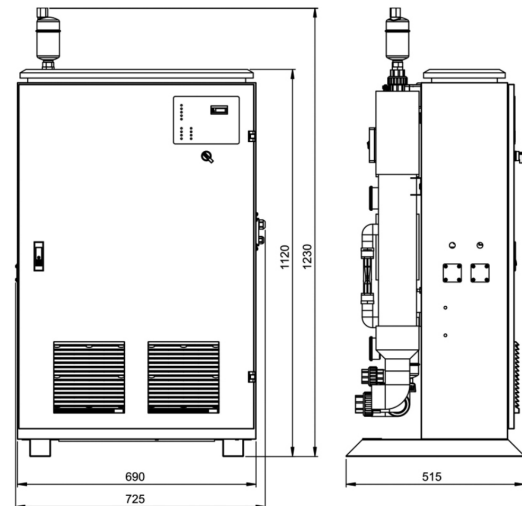
- Corona Discharge (CD) or Very UV (VUV) radiation
- Integrated PSA Module(s)
- Contacting Vessel Combined
- Degas & Auto Drain Valves
- Oil-less Compressor(s) Equipped
- Automatic Control
- Ozone Boost Pump Optional
- ORP Controller Optional
- Ozone Destructor Optional

BENEFITS

- Clearer, cleaner water
- Complete sanitation
- Superior oxidation
- No harmful by-products
- No or reduce chlorine usage
- Neutral PH of water



UV-TYPE:

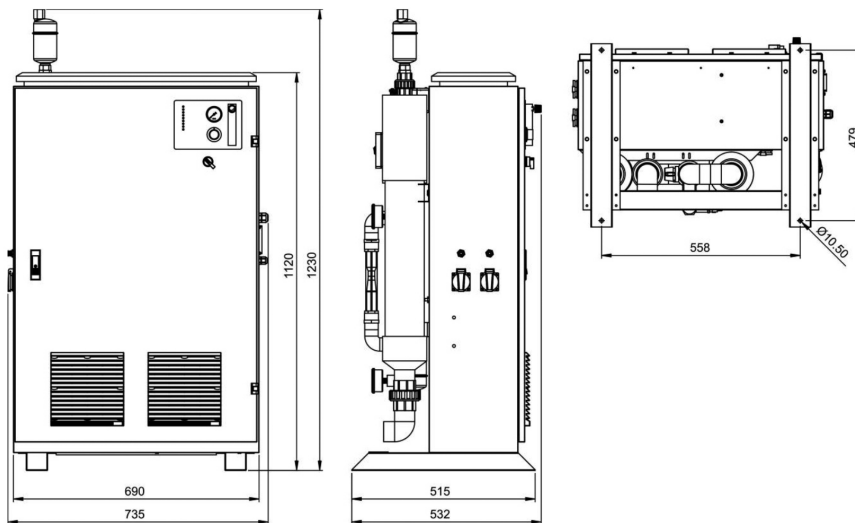


UV-TYPE:

CODE	POS-4UV	POS-6UV	POS-8UV
OZONE OUTPUT	4 g/hr	6 g/hr	8 g/hr
MATCHED POOL VOLUME *	Upto 360 m ³	Upto 540 m ³	Upto 720 m ³
EQUIPPED COMPRESSOR QTY. (FLOW @ PRESSURE)	One (20 LPM @ 0.05 bar)	Two (20 LPM @ 0.05 bar)	Two (20 LPM @ 0.05 bar)
WATER CONNECTION SIZE	Inlet: 1.5"/ 50 mm Outlet: 1.5"/ 50 mm	Inlet: 1.5"/ 50 mm Outlet: 1.5"/ 50 mm	Inlet: 1.5"/ 50 mm Outlet: 1.5"/ 50 mm
POWER REQUIREMENT ** (SINGLE PHASE)	120/240V 60/50Hz -450 W	120/240V 60/50Hz -550 W	120/240V 60/50Hz -650 W
OPTIONAL WATER BOOST PUMP REQUIREMENT	2 m ³ @ 30 m Head	2 m ³ @ 30 m Head	2 m ³ @ 30 m Head
OPTIONAL ORP CONTROLLED	n/a	n/a	n/a
WEIGHT NET/GROSS	80/100 kg	80/100 kg	80/100 kg
PACKING	1	1	1

* For indoor hotel pool with middle bather load & chlorine as secondary sanitizer only.
 ** Not include ozone boost water pump's power consumption.

CD-TYPE:



CODE	POS-10	POS-20	POS-30	POS-40
OZONE OUTPUT	10 g/hr	20 g/hr	30 g/hr	40 g/hr
MATCHED POOL VOLUME*	Upto 450 m ³	Upto 900 m ³	Upto 1350 m ³	Upto 1800 m ³
EQUIPPED COMPRESSOR QTY. (FLOW @ PRESSURE)	One (60 LPM @ 2 bar)	One (60 LPM @ 2 bar)	Two (120 LPM @ 2 bar)	Two (120 LPM @ 2 bar)
WATER CONNECTION SIZE	Inlet: 1.5"/ 50 mm Outlet: 1.5"/ 50 mm	Inlet: 1.5"/ 50 mm Outlet: 1.5"/ 50 mm	Inlet: 1.5"/ 50 mm Outlet: 1.5"/ 50 mm	Inlet: 1.5"/ 50 mm Outlet: 1.5"/ 50 mm
POWER REQUIREMENT** (SINGLE PHASE)	120/240V 60/50Hz -450 W	120/240V 60/50Hz -600 W	120/240V 60/50Hz -1050 W	120/240V 60/50Hz -1200 W
OPTIONAL WATER BOOST PUMP REQUIREMENT	2 m ³ @ 30 m Head	2 m ³ @ 30 m Head	2 m ³ @ 30 m Head	2 m ³ @ 30 m Head
ORP CONTROLLED	Option	Option	Option	Option
WEIGHT NET/GROSS	95/115 kg	95/115 kg	95/115 kg	95/115 kg
OIL-LESS COMPRESSOR WEIGHT NET/GROSS	12.5/15 kg	12.5/15 kg	12.5/15 kg	12.5/15 kg
PACKING	1	1	1	1

Note: * For indoor hotel pool with middle bather load & chlorine as secondary sanitizer only.
 ** Not include ozone boost water pump's power consumption.

14 AQUA OZONE EQUIPMENT

“ CTO 50, 100, 150, & 200”

The CTO-30W, 40W & 60W are cabinet, water-cooled, corona discharge type ozone generators specifically designed for industrial applications. The system incorporates water-cooled quartz glass/stainless steel ozone cell, solid state high frequency power supplies, PSA oxygen concentration modules, manual adjusting & function indicating control panel, gray epoxy powder coated mild steel cabinet with mounting legs and with the main function of ozone ON/OFF, 4-20 ma remote controls & ozone safe interlock. These systems can be fed by customer supplied tank type oil-less compressor or multi small oil-less air compressor supplies by us. These models ozone generator produce ozone in 50g/hr, 100g/hr, 150g/hr & 200g/hr

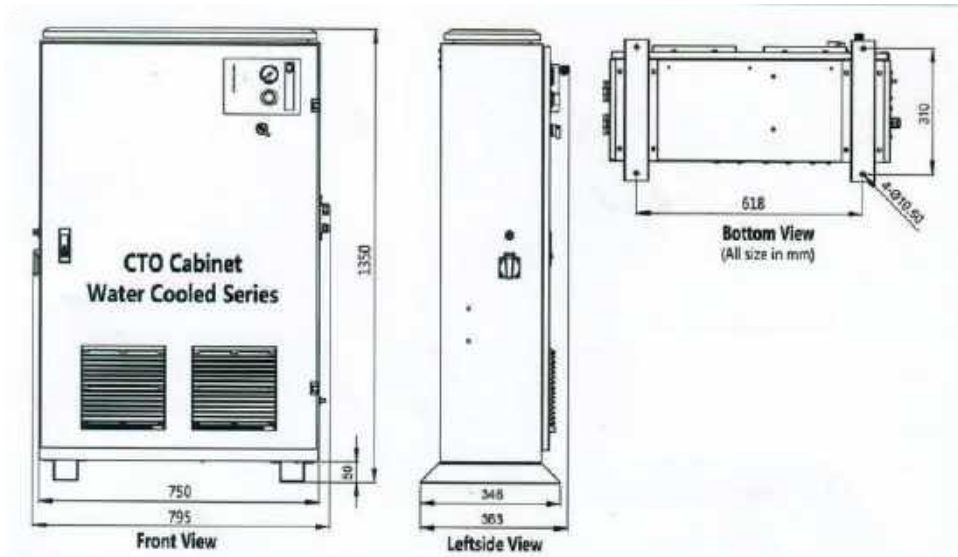
DESIGN FEATURE

- Corona discharge (CD)
- Integrated PSA Module(s)
- Ozone ON/Off remote control
- 4-20ma Ozone remote control
- Modular design, water cooled
- Cabinet, floor mount
- Feed gas 3-in-1 Pneumatic device
- Anti water backflow solenoid valve optional

BENEFITS

- Clearer, cleaner water
- Complete sanitation
- Superior oxidation
- No harmful by-products
- No or reduce chlorine usage
- Neutral PH of water





CODE	CTO-50 W	CTO-100 W	CTO-150 W	CTO-200 W
OZONE OUTPUT	50 g/hr	100 g/hr	150 g/hr	200 g/hr
OZONE OUTPUT FLOW	7.5L/min	10L/min	15L/min	20L/min
OZONE OUTPUT PRESSURE	0.4 bar (6 psi)	0.4 bar (6 psi)	0.4 bar (6 psi)	0.4 bar (6 psi)
COMPRESSED AIR REQUIREMENT (FLOW @ PRESSURE)	120 LPM @ 2 bar	120 LPM @ 2 bar	240 LPM @ 2 bar	240 LPM @ 2 bar
POWER REQUIREMENT (SINGLE PHASE)	120/240V 60/50Hz - 500 W	120/240V 60/50Hz -950 W	120/240V 60/50Hz -1450 W	120/240V 60/50Hz -1800 W
OZONE OUTPUT ON/OFF REMOTE CONTROL	Yes	Yes	Yes	Yes
OZONE OUTPUT 4-20MA REMOTE CONTROL	Yes	Yes	Yes	Yes

Note: * Not include oil-less compressor's power consumption.

15 OZONE DESTRUCTOR

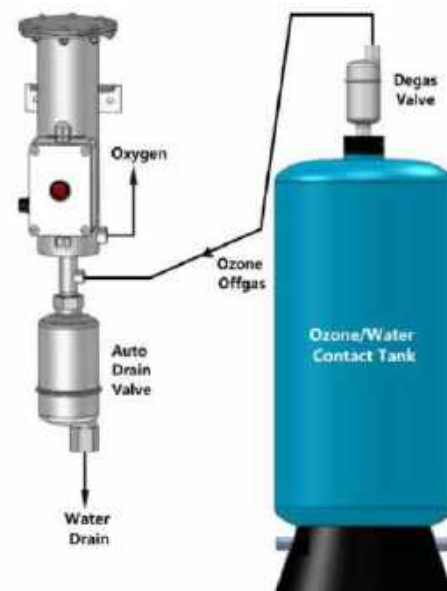
- The OD-3 is wall-mountable, thermal-catalytic method ozone destructor specifically designed for destruction of ozone oil-gas vent from contacting vessel. The unit incorporates stainless steel housing, high efficiency manganese/copper catalyst, silicon rubber heating band and fuse protected switch box with power cord. The featured micro-thermal heating design ensures water vapor does not condense on catalyst to extend catalyst service life. The unit is capable of destruction ozone gas up to 3 SCFM in 99.9% efficiency
- Pressure drop: less than 1 PSI
- Destruct efficiency: 99.9%
- Power required: 25 watts, 120v/60Hz or 240/50Hz

FEATURES

- Catalyst reaction type
- Constructed of 304 stainless steel Integrated heater band
- Excellent ozone destruct efficiency
- Wall mountable

APPLICATION

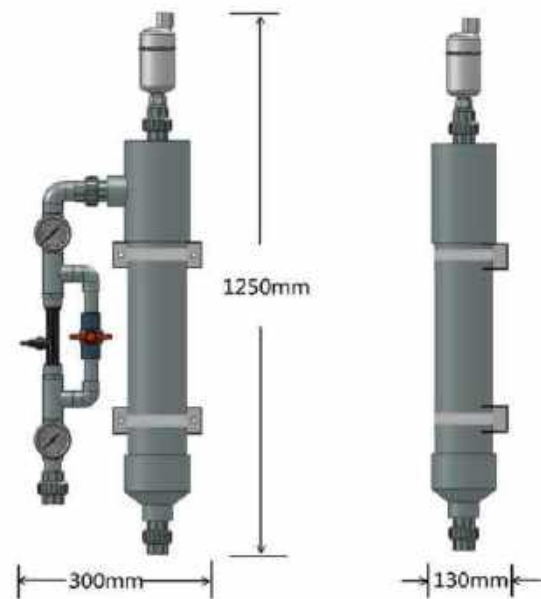
- Catalyst reaction type
- Constructed of 304 stainless steel
- Integrated heater band
- Excellent ozone destruct efficiency
- Wall mountable



CODE	FLOW RATE	DIMENSIONS	WEIGHT	VOLUME
	m ³ /Hr		kg	
OD-3	5.1	105 X 325 X 150 mm	2.2	

16 OZONE MIXING DEGAS VESSEL

- The ozone mixing degas vessels (MDV) are designed in properly size and as simple as possible.
- The MDV-I & II are designed to supply a high mass transfer of ozone to the process water. An injector manifold incorporated into the vessel both draws the O₃ from the generators and mixes the O₃ into the water stream. The vessel then provides additional mixing, contact time, and degassing of excess ozone from the water prior to the point of use.
- The MDV series are in ozone/chlorine compatible PVC plastic construction and incorporate with venturi injector, bypass valve, pressure gauges, SS degassing valve and SS wall mount brackets.



DESIGN FEATURE:

- High mass transfer
- Enhancing contact time
- Degassing excess ozone
- Pressure gauges equipped
- Ozone/chlorine compatible
- Wall mountable

APPLICATION:

- Swimming pool
- Water feature & park
- Aquarium & aqua animal
- Bottled water plant
- CIP cleaning
- Dairy farm
- Process water treatment

CODE	FLOW RATE	SUCTION FLOW	CONNECTION SIZE	TEMPERATURE	WEIGHT	VOLUME
	m ³ /H	m ³ /H	mm	max	kg	
MDV-1	1.5-3.0	0.9	25/32	45°C	13.5	
MDV-11	3.0-5.0	1.5	32/40	45°C	13.5	

A photograph of a modern villa at dusk. The villa features a traditional tiled roof and large glass windows that are illuminated from within. In the foreground, a swimming pool is visible, with a lounge chair covered in a blue towel and a rolled-up white towel with a flower on it. The sky is a deep blue, and there are palm trees and other tropical plants in the background.

10 POOL COVERS

INDEX

01	AUTOMATIC COVERING	340
02	THERMAL COVERING	365
03	POOL ENCLOSURE	386

01 AUTOMATIC COVERINGS



LOGIC DRIVE SYSTEM

DESCRIPTIONS

In this system, the spindle is immersed in the pool and is supported with two flanges, which are bolted to the pool shell. The motor that winds and unwinds the cover is located inside the spindle (inroller motor Logic) and its cable passes through the pool shell in a sleeve. The cover is operated automatically by using a key switch and the limits are programmed electronically.



COMPONENTS

The following elements are included in the drive system:

- Stainless steel spindle made to measure
- Stainless steel flanges, 30 mm shaft & locking ring
- Stainless steel sleeve through wall with flexible reinforced hose & hose clamp
- Logic motor 24 V DC
- Logic 250 – IP68 – 250 Nm – 4 rpm
- Logic 500 – IP68 – 500 Nm – 4 rpm
- Control panel IP56, including touch pad, safety transformer 230V AC/24V AC – 300 VA, circuit board 24V DC 20A
- Flush or surface key switch IP54 with open, close, stop functions
- Set of straps
- Set of directional guides
- Screws, bolts & other fixings included

LOGIC DRIVE SYSTEM

	MOTOR LOGIC 250 (250 Nm)+ Spindle Ø 140 mm
	MOTOR LOGIC 250 (250 Nm)+ Spindle Ø 168 mm
	MOTOR LOGIC 250 (250 Nm)+ Spindle Ø 219 mm
	MOTOR LOGIC 500 (500 Nm)+ Spindle Ø 168 mm
	MOTOR LOGIC 500 (500 Nm)+ Spindle Ø 219 mm

CODE	DESCRIPTIONS
LDS-01	MOTOR LOGIC 250 (250 NM) + SPINDLE Ø 140MM
LDS-02	MOTOR LOGIC 250 (250 NM) + SPINDLE Ø 168MM
LDS-03	MOTOR LOGIC 250 (250 NM) + SPINDLE Ø 219MM
LDS-04	RMEOMTOTRELCOOGNICTR5000L (S5E0T0-N2MC)H+ASNPINEDLSLE(OØPE1N68, MCLMOSE)
LDS-05	MOTOR LOGIC 500 (500 NM) + SPINDLE Ø 219MM
LDS-06	SUPPLEMENT FOR PRE-CAST SET (INSTEAD OF STANDARD SLEEVE THROUGH WALL)
LDS-07	SUPPLEMENT FOR COUNTER FLANGES FOR POLYESTER POOLS
LDS-08	SET OF FRISBEES FOR LINER POOL (2 PIECES) : Ø350MM
	SET OF FRISBEES FOR LINER POOL (2 PIECES) : Ø550MM
LDS-09	REMOTE CONTROL SET – 2 CHANNELS (OPEN, CLOSE)
LDS-10	REMOTE CONTROL SET – 4 CHANNELS (OPEN, CLOSE, STOP, AUX.)
LDS-11	BLUETOOTH DEVICE O'CONNECT

CODE	DESCRIPTIONS	SPINDLE DEPTH UP TO (M)	POOL DIMENSIONS
			m
PCLDS-01	COMPLETE POOL COVER LOGIC DRIVE SYSTEM & PC ECLIPSE 60MM	2.2	3.00 X 6.00
PCLDS-02	COMPLETE POOL COVER LOGIC DRIVE SYSTEM & PC ECLIPSE 60MM	2.2	3.00 X 7.00
PCLDS-03	COMPLETE POOL COVER LOGIC DRIVE SYSTEM & PC ECLIPSE 60MM	2.2	3.00 X 8.00
PCLDS-04	COMPLETE POOL COVER LOGIC DRIVE SYSTEM & PC ECLIPSE 60MM	2.2	3.00 X 9.00
PCLDS-05	COMPLETE POOL COVER LOGIC DRIVE SYSTEM & PC ECLIPSE 60MM	2.2	3.00 X 10.00
PCLDS-06	COMPLETE POOL COVER LOGIC DRIVE SYSTEM & PC ECLIPSE 60MM	2.2	3.50 X 6.00
PCLDS-07	COMPLETE POOL COVER LOGIC DRIVE SYSTEM & PC ECLIPSE 60MM	1.8	3.50 X 7.00
PCLDS-08	COMPLETE POOL COVER LOGIC DRIVE SYSTEM & PC ECLIPSE 60MM	2.2	3.50 X 8.00
PCLDS-09	COMPLETE POOL COVER LOGIC DRIVE SYSTEM & PC ECLIPSE 60MM	2.2	3.50 X 9.00
PCLDS-10	COMPLETE POOL COVER LOGIC DRIVE SYSTEM & PC ECLIPSE 60MM	2.2	3.50 X 10.00
PCLDS-11	COMPLETE POOL COVER LOGIC DRIVE SYSTEM & PC ECLIPSE 60MM	2.2	4.00 X 6.00
PCLDS-12	COMPLETE POOL COVER LOGIC DRIVE SYSTEM & PC ECLIPSE 60MM	1.8	4.00 X 7.00
PCLDS-13	COMPLETE POOL COVER LOGIC DRIVE SYSTEM & PC ECLIPSE 60MM	2.2	4.00 X 8.00
PCLDS-14	COMPLETE POOL COVER LOGIC DRIVE SYSTEM & PC ECLIPSE 60MM	1.8	4.00 X 9.00
PCLDS-15	COMPLETE POOL COVER LOGIC DRIVE SYSTEM & PC ECLIPSE 60MM	2.2	4.00 X 10.00
PCLDS-16	COMPLETE POOL COVER LOGIC DRIVE SYSTEM & PC ECLIPSE 60MM	1.8	4.00 X 11.00
PCLDS-17-1	COMPLETE POOL COVER LOGIC DRIVE SYSTEM & PC ECLIPSE 60MM	2.2	4.00 X 12.00
PCLDS-17-2	COMPLETE POOL COVER LOGIC DRIVE SYSTEM & PC ECLIPSE 60MM	1.8	4.00 X 12.00
PCLDS-18	COMPLETE POOL COVER LOGIC DRIVE SYSTEM & PC ECLIPSE 60MM	2.2	4.50 X 6.00
PCLDS-19	COMPLETE POOL COVER LOGIC DRIVE SYSTEM & PC ECLIPSE 60MM	1.8	4.50 X 7.00
PCLDS-20	COMPLETE POOL COVER LOGIC DRIVE SYSTEM & PC ECLIPSE 60MM	2.2	4.50 X 8.00
PCLDS-21-1	COMPLETE POOL COVER LOGIC DRIVE SYSTEM & PC ECLIPSE 60MM	1.8	4.50 X 9.00
PCLDS-21-2	COMPLETE POOL COVER LOGIC DRIVE SYSTEM & PC ECLIPSE 60MM	2.2	4.50 X 9.00
PCLDS-22-1	COMPLETE POOL COVER LOGIC DRIVE SYSTEM & PC ECLIPSE 60MM	1.8	4.50 X 10.00
PCLDS-22-2	COMPLETE POOL COVER LOGIC DRIVE SYSTEM & PC ECLIPSE 60MM	2.2	4.50 X 10.00

CODE	DESCRIPTIONS	SPINDLE DEPTH UP TO (M)	POOL DIMENSIONS
			m
PCLDS-23-1	COMPLETE POOL COVER LOGIC DRIVE SYSTEM & PC ECLIPSE 60MM	1.8	4.50 X 11.00
PCLDS-23-2	COMPLETE POOL COVER LOGIC DRIVE SYSTEM & PC ECLIPSE 60MM	2.2	4.50 X 11.00
PCLDS-24-1	COMPLETE POOL COVER LOGIC DRIVE SYSTEM & PC ECLIPSE 60MM	1.8	4.50 X 12.00
PCLDS-24-2	COMPLETE POOL COVER LOGIC DRIVE SYSTEM & PC ECLIPSE 60MM	2.2	4.50 X 12.00
PCLDS-25-1	COMPLETE POOL COVER LOGIC DRIVE SYSTEM & PC ECLIPSE 60MM	1.8	5.00 X 9.00
PCLDS-25-2	COMPLETE POOL COVER LOGIC DRIVE SYSTEM & PC ECLIPSE 60MM	2.2	5.00 X 9.00
PCLDS-26-1	COMPLETE POOL COVER LOGIC DRIVE SYSTEM & PC ECLIPSE 60MM	1.8	5.00 X 10.00
PCLDS-26-2	COMPLETE POOL COVER LOGIC DRIVE SYSTEM & PC ECLIPSE 60MM	2.2	5.00 X 10.00
PCLDS-27-1	COMPLETE POOL COVER LOGIC DRIVE SYSTEM & PC ECLIPSE 60MM	1.3	5.00 X 11.00
PCLDS-27-2	COMPLETE POOL COVER LOGIC DRIVE SYSTEM & PC ECLIPSE 60MM	2.2	5.00 X 11.00
PCLDS-28-1	COMPLETE POOL COVER LOGIC DRIVE SYSTEM & PC ECLIPSE 60MM	1.3	5.00 X 12.00
PCLDS-28-2	COMPLETE POOL COVER LOGIC DRIVE SYSTEM & PC ECLIPSE 60MM	2.2	5.00 X 12.00
PCLDS-29-1	COMPLETE POOL COVER LOGIC DRIVE SYSTEM & PC ECLIPSE 60MM	1.3	5.00 X 13.00
PCLDS-29-2	COMPLETE POOL COVER LOGIC DRIVE SYSTEM & PC ECLIPSE 60MM	2.2	5.00 X 13.00
PCLDS-30-1	COMPLETE POOL COVER LOGIC DRIVE SYSTEM & PC ECLIPSE 60MM	1.3	5.00 X 14.00
PCLDS-30-2	COMPLETE POOL COVER LOGIC DRIVE SYSTEM & PC ECLIPSE 60MM	2.2	5.00 X 14.00
PCLDS-31-1	COMPLETE POOL COVER LOGIC DRIVE SYSTEM & PC ECLIPSE 60MM	1.3	5.00 X 15.00
PCLDS-31-2	COMPLETE POOL COVER LOGIC DRIVE SYSTEM & PC ECLIPSE 60MM	2.2	5.00 X 15.00
PCLDS-32-1	COMPLETE POOL COVER LOGIC DRIVE SYSTEM & PC ECLIPSE 60MM	1.3	5.50 X 9.00
PCLDS-32-2	COMPLETE POOL COVER LOGIC DRIVE SYSTEM & PC ECLIPSE 60MM	2.2	5.50 X 9.00
PCLDS-33-1	COMPLETE POOL COVER LOGIC DRIVE SYSTEM & PC ECLIPSE 60MM	1.3	5.50 X 10.00
PCLDS-33-2	COMPLETE POOL COVER LOGIC DRIVE SYSTEM & PC ECLIPSE 60MM	2.2	5.50 X 10.00
PCLDS-34-1	COMPLETE POOL COVER LOGIC DRIVE SYSTEM & PC ECLIPSE 60MM	1.3	5.50 X 11.00
PCLDS-34-2	COMPLETE POOL COVER LOGIC DRIVE SYSTEM & PC ECLIPSE 60MM	2.2	5.50 X 11.00
PCLDS-35-1	COMPLETE POOL COVER LOGIC DRIVE SYSTEM & PC ECLIPSE 60MM	1.3	5.50 X 12.00
PCLDS-35-2	COMPLETE POOL COVER LOGIC DRIVE SYSTEM & PC ECLIPSE 60MM	2.2	5.50 X 12.00

CODE	DESCRIPTIONS	SPINDLE DEPTH UP TO (M)	POOL DIMENSIONS
			m
PCLDS-36-1	COMPLETE POOL COVER LOGIC DRIVE SYSTEM & PC ECLIPSE 60MM	1.3	5.50 X 13.00
PCLDS-36-2	COMPLETE POOL COVER LOGIC DRIVE SYSTEM & PC ECLIPSE 60MM	2.2	5.50 X 13.00
PCLDS-37-1	COMPLETE POOL COVER LOGIC DRIVE SYSTEM & PC ECLIPSE 60MM	1.3	5.50 X 14.00
PCLDS-37-2	COMPLETE POOL COVER LOGIC DRIVE SYSTEM & PC ECLIPSE 60MM	2.2	5.50 X 14.00
PCLDS-38-1	COMPLETE POOL COVER LOGIC DRIVE SYSTEM & PC ECLIPSE 60MM	0.5	5.50 X 15.00
PCLDS-38-2	COMPLETE POOL COVER LOGIC DRIVE SYSTEM & PC ECLIPSE 60MM	2.2	5.50 X 15.00
PCLDS-39-1	COMPLETE POOL COVER LOGIC DRIVE SYSTEM & PC ECLIPSE 60MM	1.3	6.00 X 10.00
PCLDS-39-2	COMPLETE POOL COVER LOGIC DRIVE SYSTEM & PC ECLIPSE 60MM	2.2	6.00 X 10.00
PCLDS-40-1	COMPLETE POOL COVER LOGIC DRIVE SYSTEM & PC ECLIPSE 60MM	1.3	6.00 X 11.00
PCLDS-40-2	COMPLETE POOL COVER LOGIC DRIVE SYSTEM & PC ECLIPSE 60MM	2.2	6.00 X 11.00
PCLDS-41-1	COMPLETE POOL COVER LOGIC DRIVE SYSTEM & PC ECLIPSE 60MM	0.5	6.00 X 12.00
PCLDS-41-2	COMPLETE POOL COVER LOGIC DRIVE SYSTEM & PC ECLIPSE 60MM	2.2	6.00 X 12.00
PCLDS-42-1	COMPLETE POOL COVER LOGIC DRIVE SYSTEM & PC ECLIPSE 60MM	0.5	6.00 X 13.00
PCLDS-42-2	COMPLETE POOL COVER LOGIC DRIVE SYSTEM & PC ECLIPSE 60MM	2.2	6.00 X 13.00
PCLDS-43-1	COMPLETE POOL COVER LOGIC DRIVE SYSTEM & PC ECLIPSE 60MM	0.5	6.00 X 14.00
PCLDS-43-2	COMPLETE POOL COVER LOGIC DRIVE SYSTEM & PC ECLIPSE 60MM	2.2	6.00 X 14.00
PCLDS-44-1	COMPLETE POOL COVER LOGIC DRIVE SYSTEM & PC ECLIPSE 60MM	0.5	6.00 X 15.00
PCLDS-44-2	COMPLETE POOL COVER LOGIC DRIVE SYSTEM & PC ECLIPSE 60MM	2.2	6.00 X 15.00

* The calculation should be made on basis of the total surface area of the pool, including any eventual allowance for the pit, roman end and/or cut-out. Always refer to the next highest dimensions. Example: for a pool of 5,2m x 11,5m, please refer to the price of a 5,5m x 12m. In doubt, please contact us.

LOGIC SIDE PLATES



DESCRIPTIONS

In this system, the spindle is immersed in the pool and is supported by two stainless steel side plates, which are bolted under the coping stone of the pool. On the motor side, the plate has a groove that allows the cable to run between the plate and the pool shell. The motor that winds and unwinds the cover is located inside the spindle (Logic, inroller motor). The cover is operated automatically by using a key switch and the limits are programmed electronically.

IMPORTANT INFORMATION

In this system, the spindle is immersed in the pool and is supported by two stainless steel side plates, which are bolted under the coping stone of the pool. On the motor side, the plate has a groove that allows the cable to run between the plate and the pool shell. The motor that winds and unwinds the cover is located inside the spindle (Logic, inroller motor). The cover is operated automatically by using a key switch and the limits are programmed electronically.

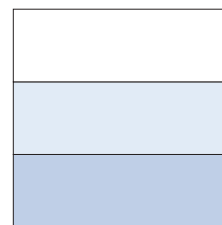
COMPONENTS

The following elements are included in the drive system:

- Stainless steel spindle made to measure
- Stainless steel side plates & locking ring
- Logic motor 24 V DC
- Logic 250 – IP68 – 250 Nm – 4 rpm
- Control panel IP56, including touch pad, safety transformer 230V AC/24V AC – 300 VA, circuit board 24V DC 20A
- Flush or surface key switch IP54 with open, close, stop functions



DRIVE SYSTEM



Motor Logic 250 (250 Nm)+
Spindle Ø 140 Mm

Motor Logic 250 (250 Nm)+
Spindle Ø 168 Mm

Motor Logic 250 (250 Nm)+
Spindle Ø 168 Mm

- Set of straps
- Set of directional guides
- Screws, bolts & other fixings included

STANDARDS

Water surface coverings (NF P90-308 standard)

CODE	DESCRIPTIONS
LSPDS-01	LOGIC PLATES DRIVE SYSTEM MOTOR LOGIC 250 (250 NM) + SPINDLE 140 MM
LSPDS-02	LOGIC SIDE PLATES DRIVE SYSTEM MOTOR LOGIC 250 (250 NM) + SPINDLE Ø 168MM
LSPDS-03	LOGIC SIDE PLATES DRIVE SYSTEM MOTOR LOGIC 250 (250 NM) + SPINDLE Ø 219MM
LSPDS-04	REMOTE CONTROL SET – 2 CHANNELS (OPEN, CLOSE)
LSPDS-05	REMOTE CONTROL SET – 4 CHANNELS (OPEN, CLOSE, STOP, AUX.)
LSPDS-06	BLUETOOTH DEVICE O'CONNECT

CODE	DESCRIPTIONS	POOL DIMENSIONS
		m
PCLDPS-01	COMPLETE POOL COVER LOGIC SIDE PLATES DRIVE SYSTEM & PC ECLIPSE 60MM	3.00 x 6.00
PCLDPS-02	COMPLETE POOL COVER LOGIC SIDE PLATES DRIVE SYSTEM & PC ECLIPSE 60MM	3.00 x 7.00
PCLDPS-03	COMPLETE POOL COVER LOGIC SIDE PLATES DRIVE SYSTEM & PC ECLIPSE 60MM	3.00 x 8.00
PCLDPS-04	COMPLETE POOL COVER LOGIC SIDE PLATES DRIVE SYSTEM & PC ECLIPSE 60MM	3.00 x 9.00
PCLDPS-05	COMPLETE POOL COVER LOGIC SIDE PLATES DRIVE SYSTEM & PC ECLIPSE 60MM	3.00 x 10.00
PCLDPS-06	COMPLETE POOL COVER LOGIC SIDE PLATES DRIVE SYSTEM & PC ECLIPSE 60MM	3.50 x 6.00
PCLDPS-07	COMPLETE POOL COVER LOGIC SIDE PLATES DRIVE SYSTEM & PC ECLIPSE 60MM	3.50 x 7.00
PCLDPS-08	COMPLETE POOL COVER LOGIC SIDE PLATES DRIVE SYSTEM & PC ECLIPSE 60MM	3.50 x 8.00
PCLDPS-09	COMPLETE POOL COVER LOGIC SIDE PLATES DRIVE SYSTEM & PC ECLIPSE 60MM	3.50 x 9.00
PCLDPS-10	COMPLETE POOL COVER LOGIC SIDE PLATES DRIVE SYSTEM & PC ECLIPSE 60MM	3.50 x 10.00
PCLDPS-11	COMPLETE POOL COVER LOGIC SIDE PLATES DRIVE SYSTEM & PC ECLIPSE 60MM	4.00 x 6.00
PCLDPS-12	COMPLETE POOL COVER LOGIC SIDE PLATES DRIVE SYSTEM & PC ECLIPSE 60MM	4.00 x 7.00
PCLDPS-13	COMPLETE POOL COVER LOGIC SIDE PLATES DRIVE SYSTEM & PC ECLIPSE 60MM	4.00 x 8.00
PCLDPS-14	COMPLETE POOL COVER LOGIC SIDE PLATES DRIVE SYSTEM & PC ECLIPSE 60MM	4.00 x 9.00
PCLDPS-15	COMPLETE POOL COVER LOGIC SIDE PLATES DRIVE SYSTEM & PC ECLIPSE 60MM	4.00 x 10.00
PCLDPS-16	COMPLETE POOL COVER LOGIC SIDE PLATES DRIVE SYSTEM & PC ECLIPSE 60MM	4.00 x 11.00
PCLDPS-17	COMPLETE POOL COVER LOGIC SIDE PLATES DRIVE SYSTEM & PC ECLIPSE 60MM	4.00 x 12.00
PCLDPS-18	COMPLETE POOL COVER LOGIC SIDE PLATES DRIVE SYSTEM & PC ECLIPSE 60MM	4.50 x 6.00
PCLDPS-19	COMPLETE POOL COVER LOGIC SIDE PLATES DRIVE SYSTEM & PC ECLIPSE 60MM	4.50 x 7.00
PCLDPS-20	COMPLETE POOL COVER LOGIC SIDE PLATES DRIVE SYSTEM & PC ECLIPSE 60MM	4.50 x 8.00
PCLDPS-21	COMPLETE POOL COVER LOGIC SIDE PLATES DRIVE SYSTEM & PC ECLIPSE 60MM	4.50 x 9.00
PCLDPS-22	COMPLETE POOL COVER LOGIC SIDE PLATES DRIVE SYSTEM & PC ECLIPSE 60MM	4.50 x 10.00
PCLDPS-23	COMPLETE POOL COVER LOGIC SIDE PLATES DRIVE SYSTEM & PC ECLIPSE 60MM	4.50 x 11.00
PCLDPS-24	COMPLETE POOL COVER LOGIC SIDE PLATES DRIVE SYSTEM & PC ECLIPSE 60MM	4.50 x 12.00
PCLDPS-25	COMPLETE POOL COVER LOGIC SIDE PLATES DRIVE SYSTEM & PC ECLIPSE 60MM	5.00 x 9.00
PCLDPS-26	COMPLETE POOL COVER LOGIC SIDE PLATES DRIVE SYSTEM & PC ECLIPSE 60MM	5.00 x 10.00
PCLDPS-27	COMPLETE POOL COVER LOGIC SIDE PLATES DRIVE SYSTEM & PC ECLIPSE 60MM	5.00 x 11.00
PCLDPS-28	COMPLETE POOL COVER LOGIC SIDE PLATES DRIVE SYSTEM & PC ECLIPSE 60MM	5.00 x 12.00
PCLDPS-29	COMPLETE POOL COVER LOGIC SIDE PLATES DRIVE SYSTEM & PC ECLIPSE 60MM	5.00 x 13.00
PCLDPS-30	COMPLETE POOL COVER LOGIC SIDE PLATES DRIVE SYSTEM & PC ECLIPSE 60MM	5.00 x 14.00
PCLDPS-31	COMPLETE POOL COVER LOGIC SIDE PLATES DRIVE SYSTEM & PC ECLIPSE 60MM	5.00 x 15.00
PCLDPS-32	COMPLETE POOL COVER LOGIC SIDE PLATES DRIVE SYSTEM & PC ECLIPSE 60MM	5.50 x 9.00
PCLDPS-33	COMPLETE POOL COVER LOGIC SIDE PLATES DRIVE SYSTEM & PC ECLIPSE 60MM	5.50 x 10.00
PCLDPS-34	COMPLETE POOL COVER LOGIC SIDE PLATES DRIVE SYSTEM & PC ECLIPSE 60MM	5.50 x 11.00
PCLDPS-35	COMPLETE POOL COVER LOGIC SIDE PLATES DRIVE SYSTEM & PC ECLIPSE 60MM	5.50 x 12.00
PCLDPS-36	COMPLETE POOL COVER LOGIC SIDE PLATES DRIVE SYSTEM & PC ECLIPSE 60MM	5.50 x 13.00
PCLDPS-37	COMPLETE POOL COVER LOGIC SIDE PLATES DRIVE SYSTEM & PC ECLIPSE 60MM	5.50 x 14.00
PCLDPS-38	COMPLETE POOL COVER LOGIC SIDE PLATES DRIVE SYSTEM & PC ECLIPSE 60MM	5.50 x 15.00
PCLDPS-39	COMPLETE POOL COVER LOGIC SIDE PLATES DRIVE SYSTEM & PC ECLIPSE 60MM	6.00 x 10.00
PCLDPS-40	COMPLETE POOL COVER LOGIC SIDE PLATES DRIVE SYSTEM & PC ECLIPSE 60MM	6.00 x 11.00
PCLDPS-41	COMPLETE POOL COVER LOGIC SIDE PLATES DRIVE SYSTEM & PC ECLIPSE 60MM	6.00 x 12.00
PCLDPS-42	COMPLETE POOL COVER LOGIC SIDE PLATES DRIVE SYSTEM & PC ECLIPSE 60MM	6.00 x 13.00
PCLDPS-43	COMPLETE POOL COVER LOGIC SIDE PLATES DRIVE SYSTEM & PC ECLIPSE 60MM	6.00 x 14.00
PCLDPS-44	COMPLETE POOL COVER LOGIC SIDE PLATES DRIVE SYSTEM & PC ECLIPSE 60MM	6.00 x 15.00

* The calculation should be made on basis of the total surface area of the pool, including any roman end and/or cutout. Always refer to the next highest dimensions.

Example: for a pool of 5,2m x 11,5m, please refer to the price of a 5,5x12 m.

EDGE SIMPLE

DESCRIPTIONS

This system is suited for new or existing pools. The spindle is located above the water level and maintained by two supports which are bolted to the pool copings. The legs are coated in white or aluminium grey. The motor that winds and unwinds the cover is located inside the spindle (above ground inroller motor). The cover is operated automatically by using a key switch and the limits are programmed electronically.

IMPORTANT INFORMATION

For pools up to 6x15m.
This system is not suitable for PVC solar or transparent slats. Roman ends or cut fronts cannot always be rolled up completely.

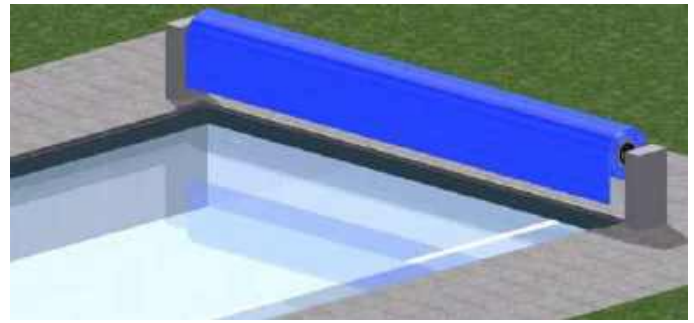
COMPONENTS

The following elements are included in the drive system:

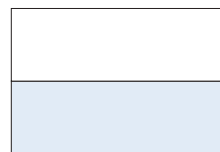
- Spindle made to measure in stainless steel
- Stainless steel legs with flanges, coated in white (RAL 9003) or grey (RAL 9007)
- Edge motor 24 V DC:
- Edge 120 - IPX5 - 120 Nm - 3 rpm
- Control panel IP55, including safety transformer & circuit board
- Integrated key switch IP54 with open & close functions
- Set of straps
- Set of directional guides
- Screws, bolts & other fixings included

STANDARDS

Water surface coverings (NF P90-308 standard)



DRIVE SYSTEM



Motor Logic 250 (250 Nm)+
Spindle Ø 140 Mm

Motor Logic 250 (250 Nm)+
Spindle Ø 168 Mm

CODE	DESCRIPTIONS
ESS-01	EDGE SIMPLE SYSTEM MOTOR EDGE 120 NM - SPINDLE Ø 140MM
ESS-02	EDGE SIMPLE SYSTEM MOTOR EDGE 120 NM - SPINDLE Ø 168MM
ESS-03	BLUETOOTH DEVICE O'CONNECT

CODE	DESCRIPTIONS	POOL DIMENSIONS
		m
PCESS-01	POOL COVER EDGE SIMPLE DRIVE SYSTEM & POLYCARBONATE ECLIPSE 60MM	3.00 x 6.00
PCESS-02	POOL COVER EDGE SIMPLE DRIVE SYSTEM & POLYCARBONATE ECLIPSE 60MM	3.00 x 7.00
PCESS-03	POOL COVER EDGE SIMPLE DRIVE SYSTEM & POLYCARBONATE ECLIPSE 60MM	3.00 x 8.00
PCESS-04	POOL COVER EDGE SIMPLE DRIVE SYSTEM & POLYCARBONATE ECLIPSE 60MM	3.00 x 9.00
PCESS-05	POOL COVER EDGE SIMPLE DRIVE SYSTEM & POLYCARBONATE ECLIPSE 60MM	3.00 x 10.00
PCESS-06	POOL COVER EDGE SIMPLE DRIVE SYSTEM & POLYCARBONATE ECLIPSE 60MM	3.50 x 6.00
PCESS-07	POOL COVER EDGE SIMPLE DRIVE SYSTEM & POLYCARBONATE ECLIPSE 60MM	3.50 x 7.00
PCESS-08	POOL COVER EDGE SIMPLE DRIVE SYSTEM & POLYCARBONATE ECLIPSE 60MM	3.50 x 8.00
PCESS-09	POOL COVER EDGE SIMPLE DRIVE SYSTEM & POLYCARBONATE ECLIPSE 60MM	3.50 x 9.00
PCESS-10	POOL COVER EDGE SIMPLE DRIVE SYSTEM & POLYCARBONATE ECLIPSE 60MM	3.50 x 10.00
PCESS-11	POOL COVER EDGE SIMPLE DRIVE SYSTEM & POLYCARBONATE ECLIPSE 60MM	4.00 x 6.00
PCESS-12	POOL COVER EDGE SIMPLE DRIVE SYSTEM & POLYCARBONATE ECLIPSE 60MM	4.00 x 7.00
PCESS-13	POOL COVER EDGE SIMPLE DRIVE SYSTEM & POLYCARBONATE ECLIPSE 60MM	4.00 x 8.00
PCESS-14	POOL COVER EDGE SIMPLE DRIVE SYSTEM & POLYCARBONATE ECLIPSE 60MM	4.00 x 9.00
PCESS-15	POOL COVER EDGE SIMPLE DRIVE SYSTEM & POLYCARBONATE ECLIPSE 60MM	4.00 x 10.00
PCESS-16	POOL COVER EDGE SIMPLE DRIVE SYSTEM & POLYCARBONATE ECLIPSE 60MM	4.00 x 11.00
PCESS-17	POOL COVER EDGE SIMPLE DRIVE SYSTEM & POLYCARBONATE ECLIPSE 60MM	4.00 x 12.00
PCESS-18	POOL COVER EDGE SIMPLE DRIVE SYSTEM & POLYCARBONATE ECLIPSE 60MM	4.50 x 6.00
PCESS-19	POOL COVER EDGE SIMPLE DRIVE SYSTEM & POLYCARBONATE ECLIPSE 60MM	4.50 x 7.00
PCESS-20	POOL COVER EDGE SIMPLE DRIVE SYSTEM & POLYCARBONATE ECLIPSE 60MM	4.50 x 8.00
PCESS-21	POOL COVER EDGE SIMPLE DRIVE SYSTEM & POLYCARBONATE ECLIPSE 60MM	4.50 x 9.00
PCESS-22	POOL COVER EDGE SIMPLE DRIVE SYSTEM & POLYCARBONATE ECLIPSE 60MM	4.50 x 10.00
PCESS-23	POOL COVER EDGE SIMPLE DRIVE SYSTEM & POLYCARBONATE ECLIPSE 60MM	4.50 x 11.00
PCESS-24	POOL COVER EDGE SIMPLE DRIVE SYSTEM & POLYCARBONATE ECLIPSE 60MM	4.50 x 12.00
PCESS-25	POOL COVER EDGE SIMPLE DRIVE SYSTEM & POLYCARBONATE ECLIPSE 60MM	5.00 x 9.00
PCESS-26	POOL COVER EDGE SIMPLE DRIVE SYSTEM & POLYCARBONATE ECLIPSE 60MM	5.00 x 10.00
PCESS-27	POOL COVER EDGE SIMPLE DRIVE SYSTEM & POLYCARBONATE ECLIPSE 60MM	5.00 x 11.00
PCESS-28	POOL COVER EDGE SIMPLE DRIVE SYSTEM & POLYCARBONATE ECLIPSE 60MM	5.00 x 12.00
PCESS-29	POOL COVER EDGE SIMPLE DRIVE SYSTEM & POLYCARBONATE ECLIPSE 60MM	5.00 x 13.00
PCESS-30	POOL COVER EDGE SIMPLE DRIVE SYSTEM & POLYCARBONATE ECLIPSE 60MM	5.00 x 14.00
PCESS-31	POOL COVER EDGE SIMPLE DRIVE SYSTEM & POLYCARBONATE ECLIPSE 60MM	5.00 x 15.00
PCESS-32	POOL COVER EDGE SIMPLE DRIVE SYSTEM & POLYCARBONATE ECLIPSE 60MM	5.50 x 9.00
PCESS-33	POOL COVER EDGE SIMPLE DRIVE SYSTEM & POLYCARBONATE ECLIPSE 60MM	5.50 x 10.00
PCESS-34	POOL COVER EDGE SIMPLE DRIVE SYSTEM & POLYCARBONATE ECLIPSE 60MM	5.50 x 11.00
PCESS-35	POOL COVER EDGE SIMPLE DRIVE SYSTEM & POLYCARBONATE ECLIPSE 60MM	5.50 x 12.00
PCESS-36	POOL COVER EDGE SIMPLE DRIVE SYSTEM & POLYCARBONATE ECLIPSE 60MM	5.50 x 13.00
PCESS-37	POOL COVER EDGE SIMPLE DRIVE SYSTEM & POLYCARBONATE ECLIPSE 60MM	5.50 x 14.00
PCESS-38	POOL COVER EDGE SIMPLE DRIVE SYSTEM & POLYCARBONATE ECLIPSE 60MM	5.50 x 15.00
PCESS-39	POOL COVER EDGE SIMPLE DRIVE SYSTEM & POLYCARBONATE ECLIPSE 60MM	6.00 x 10.00
PCESS-40	POOL COVER EDGE SIMPLE DRIVE SYSTEM & POLYCARBONATE ECLIPSE 60MM	6.00 x 11.00
PCESS-41	POOL COVER EDGE SIMPLE DRIVE SYSTEM & POLYCARBONATE ECLIPSE 60MM	6.00 x 12.00
PCESS-42	POOL COVER EDGE SIMPLE DRIVE SYSTEM & POLYCARBONATE ECLIPSE 60MM	6.00 x 13.00
PCESS-43	POOL COVER EDGE SIMPLE DRIVE SYSTEM & POLYCARBONATE ECLIPSE 60MM	6.00 x 14.00
PCESS-44	POOL COVER EDGE SIMPLE DRIVE SYSTEM & POLYCARBONATE ECLIPSE 60MM	6.00 x 15.00

* The calculation should be made on basis of the total surface area of the pool, including any roman end and/or cutout. Always refer to the next highest dimensions.

Example: for a pool of 5,2m x 11,5m, please refer to the price of a 5,5x12 m.

EDGE BENCH

DESCRIPTIONS

This system is suited for new or existing pools. The spindle is located above the water level and housed in a benchlike structure that conceals the cover. The structure is robustly constructed from consoles bolted to the pool copings and profiles in aluminium. The motor that winds and unwinds the cover is located inside the spindle (above ground inroller motor). The housing in aluminium is supplied in either grey or white. The cover is operated automatically by using a key switch and the limits are programmed electronically.

IMPORTANT INFORMATION

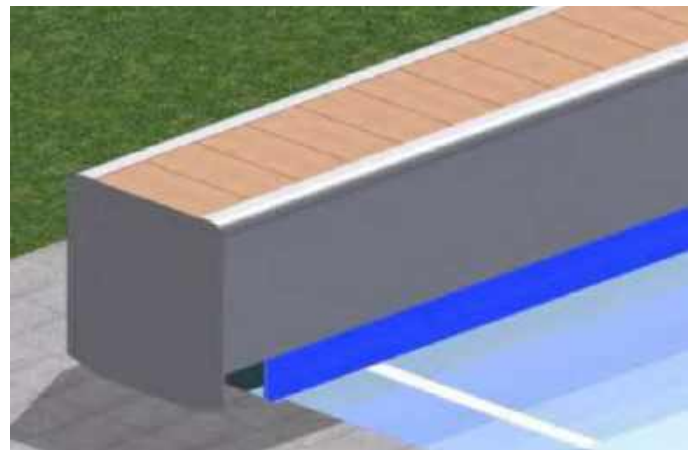
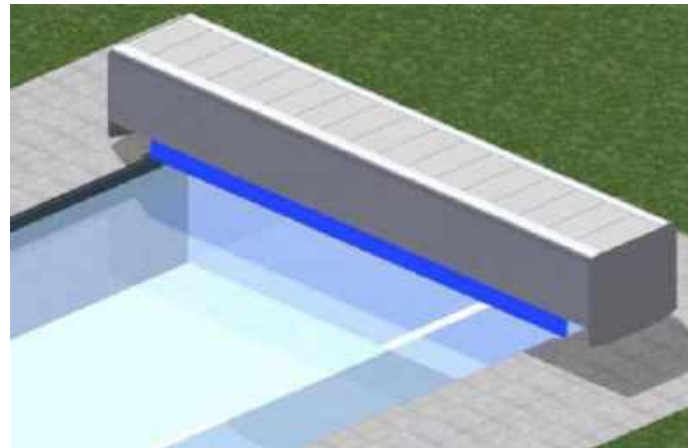
For pools up to 6x15m.
The dimensions of the bench depend on the cover length:

- Cover up to 10m: 620mm x 585mm (width x height)
- Cover between 10m & 15m: 720mm x 685mm (width x height)

COMPONENTS

The following elements are included in the drive system:

- Spindle made to measure in stainless steel
- Aluminum bench in white (RAL 9003), light grey (RAL 9006) or dark grey (RAL 9007)
- Wooden top in option
- Edge Motor 24 V DC:
 - Edge 120 - IPX5 - 120 Nm – 3 rpm
- Control panel IP55, including safety transformer & circuit board
- Integrated key switch IP54 with open & close functions
- Set of straps
- Set of directional guides
- Screws, bolts & other fixings included



CODE		DESCRIPTIONS	COVER WIDTH	COVER LENGTH	
				m	
EBS-01	EBS-08	EDGE BENCH SYSTEM COVER	3	< 10	10 x 15
EBS-02	EBS-09	EDGE BENCH SYSTEM COVER	3.5	< 10	10 x 15
EBS-03	EBS-10	EDGE BENCH SYSTEM COVER	4	< 10	10 x 15
EBS-04	EBS-11	EDGE BENCH SYSTEM COVER	4.5	< 10	10 x 15
EBS-05	EBS-12	EDGE BENCH SYSTEM COVER	5	< 10	10 x 15
EBS-06	EBS-13	EDGE BENCH SYSTEM COVER	5.5	< 10	10 x 15
EBS-07	EBS-14	EDGE BENCH SYSTEM COVER	6	< 10	10 x 15
EBS-15		REMOTE CONTROL SET - 2 CHANNELS (OPEN,CLOSE)			
EBS-16		BLUETOOTH DEVICE O'CONNECT			

CODE	DESCRIPTIONS	POOL DIMENSIONS
		m
PCEBS-01	POOL COVER EDGE BENCH DRIVE SYSTEM & POLYCARBONATE ECLIPSE 60MM	3.00 x 6.00
PCEBS-02	POOL COVER EDGE BENCH DRIVE SYSTEM & POLYCARBONATE ECLIPSE 60MM	3.00 x 7.00
PCEBS-03	POOL COVER EDGE BENCH DRIVE SYSTEM & POLYCARBONATE ECLIPSE 60MM	3.00 x 8.00
PCEBS-04	POOL COVER EDGE BENCH DRIVE SYSTEM & POLYCARBONATE ECLIPSE 60MM	3.00 x 9.00
PCEBS-05	POOL COVER EDGE BENCH DRIVE SYSTEM & POLYCARBONATE ECLIPSE 60MM	3.00 x 10.00
PCEBS-06	POOL COVER EDGE BENCH DRIVE SYSTEM & POLYCARBONATE ECLIPSE 60MM	3.50 x 6.00
PCEBS-07	POOL COVER EDGE BENCH DRIVE SYSTEM & POLYCARBONATE ECLIPSE 60MM	3.50 x 7.00
PCEBS-08	POOL COVER EDGE BENCH DRIVE SYSTEM & POLYCARBONATE ECLIPSE 60MM	3.50 x 8.00
PCEBS-09	POOL COVER EDGE BENCH DRIVE SYSTEM & POLYCARBONATE ECLIPSE 60MM	3.50 x 9.00
PCEBS-10	POOL COVER EDGE BENCH DRIVE SYSTEM & POLYCARBONATE ECLIPSE 60MM	3.50 x 10.00
PCEBS-11	POOL COVER EDGE BENCH DRIVE SYSTEM & POLYCARBONATE ECLIPSE 60MM	4.00 x 6.00
PCEBS-12	POOL COVER EDGE BENCH DRIVE SYSTEM & POLYCARBONATE ECLIPSE 60MM	4.00 x 7.00
PCEBS-13	POOL COVER EDGE BENCH DRIVE SYSTEM & POLYCARBONATE ECLIPSE 60MM	4.00 x 8.00
PCEBS-14	POOL COVER EDGE BENCH DRIVE SYSTEM & POLYCARBONATE ECLIPSE 60MM	4.00 x 9.00
PCEBS-15	POOL COVER EDGE BENCH DRIVE SYSTEM & POLYCARBONATE ECLIPSE 60MM	4.00 x 10.00
PCEBS-16	POOL COVER EDGE BENCH DRIVE SYSTEM & POLYCARBONATE ECLIPSE 60MM	4.00 x 11.00
PCEBS-17	POOL COVER EDGE BENCH DRIVE SYSTEM & POLYCARBONATE ECLIPSE 60MM	4.00 x 12.00
PCEBS-18	POOL COVER EDGE BENCH DRIVE SYSTEM & POLYCARBONATE ECLIPSE 60MM	4.50 x 6.00
PCEBS-19	POOL COVER EDGE BENCH DRIVE SYSTEM & POLYCARBONATE ECLIPSE 60MM	4.50 x 7.00
PCEBS-20	POOL COVER EDGE BENCH DRIVE SYSTEM & POLYCARBONATE ECLIPSE 60MM	4.50 x 8.00
PCEBS-21	POOL COVER EDGE BENCH DRIVE SYSTEM & POLYCARBONATE ECLIPSE 60MM	4.50 x 9.00
PCEBS-22	POOL COVER EDGE BENCH DRIVE SYSTEM & POLYCARBONATE ECLIPSE 60MM	4.50 x 10.00
PCEBS-23	POOL COVER EDGE BENCH DRIVE SYSTEM & POLYCARBONATE ECLIPSE 60MM	4.50 x 11.00
PCEBS-24	POOL COVER EDGE BENCH DRIVE SYSTEM & POLYCARBONATE ECLIPSE 60MM	4.50 x 12.00
PCEBS-25	POOL COVER EDGE BENCH DRIVE SYSTEM & POLYCARBONATE ECLIPSE 60MM	5.00 x 9.00
PCEBS-26	POOL COVER EDGE BENCH DRIVE SYSTEM & POLYCARBONATE ECLIPSE 60MM	5.00 x 10.00
PCEBS-27	POOL COVER EDGE BENCH DRIVE SYSTEM & POLYCARBONATE ECLIPSE 60MM	5.00 x 11.00
PCEBS-28	POOL COVER EDGE BENCH DRIVE SYSTEM & POLYCARBONATE ECLIPSE 60MM	5.00 x 12.00
PCEBS-29	POOL COVER EDGE BENCH DRIVE SYSTEM & POLYCARBONATE ECLIPSE 60MM	5.00 x 13.00
PCEBS-30	POOL COVER EDGE BENCH DRIVE SYSTEM & POLYCARBONATE ECLIPSE 60MM	5.00 x 14.00
PCEBS-31	POOL COVER EDGE BENCH DRIVE SYSTEM & POLYCARBONATE ECLIPSE 60MM	5.00 x 15.00
PCEBS-32	POOL COVER EDGE BENCH DRIVE SYSTEM & POLYCARBONATE ECLIPSE 60MM	5.50 x 9.00
PCEBS-33	POOL COVER EDGE BENCH DRIVE SYSTEM & POLYCARBONATE ECLIPSE 60MM	5.50 x 10.00
PCEBS-34	POOL COVER EDGE BENCH DRIVE SYSTEM & POLYCARBONATE ECLIPSE 60MM	5.50 x 11.00
PCEBS-35	POOL COVER EDGE BENCH DRIVE SYSTEM & POLYCARBONATE ECLIPSE 60MM	5.50 x 12.00
PCEBS-36	POOL COVER EDGE BENCH DRIVE SYSTEM & POLYCARBONATE ECLIPSE 60MM	5.50 x 13.00
PCEBS-37	POOL COVER EDGE BENCH DRIVE SYSTEM & POLYCARBONATE ECLIPSE 60MM	5.50 x 14.00
PCEBS-38	POOL COVER EDGE BENCH DRIVE SYSTEM & POLYCARBONATE ECLIPSE 60MM	5.50 x 15.00
PCEBS-39	POOL COVER EDGE BENCH DRIVE SYSTEM & POLYCARBONATE ECLIPSE 60MM	6.00 x 10.00
PCEBS-40	POOL COVER EDGE BENCH DRIVE SYSTEM & POLYCARBONATE ECLIPSE 60MM	6.00 x 11.00
PCEBS-41	POOL COVER EDGE BENCH DRIVE SYSTEM & POLYCARBONATE ECLIPSE 60MM	6.00 x 12.00
PCEBS-42	POOL COVER EDGE BENCH DRIVE SYSTEM & POLYCARBONATE ECLIPSE 60MM	6.00 x 13.00
PCEBS-43	POOL COVER EDGE BENCH DRIVE SYSTEM & POLYCARBONATE ECLIPSE 60MM	6.00 x 14.00
PCEBS-44	POOL COVER EDGE BENCH DRIVE SYSTEM & POLYCARBONATE ECLIPSE 60MM	6.00 x 15.00

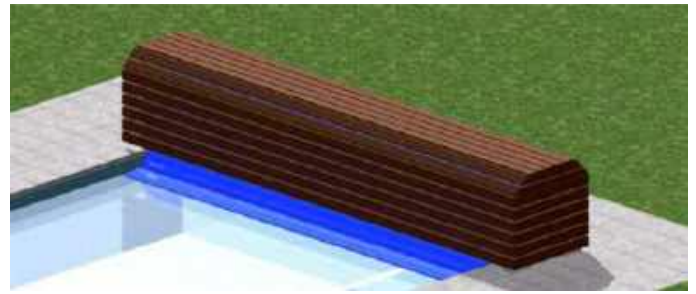
* The calculation should be made on basis of the total surface area of the pool, including any roman end and/or cutout. Always refer to the next highest dimensions.

Example: for a pool of 5,2m x 11,5m, please refer to the price of a 5,5x12 m.

EDGE WOOD

DESCRIPTIONS

This system is suited for new or existing pools. The spindle is located above the water level and housed in a benchlike structure that conceals the cover. The structure is robustly constructed from a framework in stainless steel covered with planks of IPE wood. The motor that winds and unwinds the cover is located inside the spindle (aboveground in roller motor). The cover is operated automatically by using a key switch and the limits are programmed electronically.



IMPORTANT INFORMATION

For pools up to 6x15m.

COMPONENTS

The following elements are included in the drive system:

- Spindle made to measure in stainless steel
- Bench in IPE wood
- Edge Motor 24 V DC:
- Edge 120 - IPX5 - 120 Nm - 3 rpm
- Control panel IP55, including safety transformer & circuit board
- Integrated key switch IP54 with open & close functions
- Set of straps
- Set of directional guides
- Screws, bolts & other fixings included

CODE		DESCRIPTIONS	COVER WIDTH	COVER LENGTH	
				m	
EWBS-01	EWBS-08	EDGE BENCH SYSTEM COVER	3	< 10	10 x 15
EWBS-02	EWBS-09	EDGE BENCH SYSTEM COVER	3.5	< 10	10 x 15
EWBS-03	EWBS-10	EDGE BENCH SYSTEM COVER	4	< 10	10 x 15
EWBS-04	EWBS-11	EDGE BENCH SYSTEM COVER	4.5	< 10	10 x 15
EWBS-05	EWBS-12	EDGE BENCH SYSTEM COVER	5	< 10	10 x 15
EWBS-06	EWBS-13	EDGE BENCH SYSTEM COVER	5.5	< 10	10 x 15
EWBS-07	EWBS-14	EDGE BENCH SYSTEM COVER	6	< 10	10 x 15
EWBS-15		REMOTE CONTROL SET - 2 CHANNELS (OPEN,CLOSE)			
EWBS-16		BLUETOOTH DEVICE O'CONNECT			

CODE	DESCRIPTIONS	POOL DIMENSIONS
		m
PCEWBS-01	POOL COVER EDGE BENCH WOOD DRIVE SYSTEM & POLYCARBONATE ECLIPSE 60MM	3.00 x 6.00
PCEWBS-02	POOL COVER EDGE BENCH WOOD DRIVE SYSTEM & POLYCARBONATE ECLIPSE 60MM	3.00 x 7.00
PCEWBS-03	POOL COVER EDGE BENCH WOOD DRIVE SYSTEM & POLYCARBONATE ECLIPSE 60MM	3.00 x 8.00
PCEWBS-04	POOL COVER EDGE BENCH WOOD DRIVE SYSTEM & POLYCARBONATE ECLIPSE 60MM	3.00 x 9.00
PCEWBS-05	POOL COVER EDGE BENCH WOOD DRIVE SYSTEM & POLYCARBONATE ECLIPSE 60MM	3.00 x 10.00
PCEWBS-06	POOL COVER EDGE BENCH WOOD DRIVE SYSTEM & POLYCARBONATE ECLIPSE 60MM	3.50 x 6.00
PCEWBS-07	POOL COVER EDGE BENCH WOOD DRIVE SYSTEM & POLYCARBONATE ECLIPSE 60MM	3.50 x 7.00
PCEWBS-08	POOL COVER EDGE BENCH WOOD DRIVE SYSTEM & POLYCARBONATE ECLIPSE 60MM	3.50 x 8.00
PCEWBS-09	POOL COVER EDGE BENCH WOOD DRIVE SYSTEM & POLYCARBONATE ECLIPSE 60MM	3.50 x 9.00
PCEWBS-10	POOL COVER EDGE BENCH WOOD DRIVE SYSTEM & POLYCARBONATE ECLIPSE 60MM	3.50 x 10.00
PCEWBS-11	POOL COVER EDGE BENCH WOOD DRIVE SYSTEM & POLYCARBONATE ECLIPSE 60MM	4.00 x 6.00
PCEWBS-12	POOL COVER EDGE BENCH WOOD DRIVE SYSTEM & POLYCARBONATE ECLIPSE 60MM	4.00 x 7.00
PCEWBS-13	POOL COVER EDGE BENCH WOOD DRIVE SYSTEM & POLYCARBONATE ECLIPSE 60MM	4.00 x 8.00
PCEWBS-14	POOL COVER EDGE BENCH WOOD DRIVE SYSTEM & POLYCARBONATE ECLIPSE 60MM	4.00 x 9.00
PCEWBS-15	POOL COVER EDGE BENCH WOOD DRIVE SYSTEM & POLYCARBONATE ECLIPSE 60MM	4.00 x 10.00
PCEWBS-16	POOL COVER EDGE BENCH WOOD DRIVE SYSTEM & POLYCARBONATE ECLIPSE 60MM	4.00 x 11.00
PCEWBS-17	POOL COVER EDGE BENCH WOOD DRIVE SYSTEM & POLYCARBONATE ECLIPSE 60MM	4.00 x 12.00
PCEWBS-18	POOL COVER EDGE BENCH WOOD DRIVE SYSTEM & POLYCARBONATE ECLIPSE 60MM	4.50 x 6.00
PCEWBS-19	POOL COVER EDGE BENCH WOOD DRIVE SYSTEM & POLYCARBONATE ECLIPSE 60MM	4.50 x 7.00
PCEWBS-20	POOL COVER EDGE BENCH WOOD DRIVE SYSTEM & POLYCARBONATE ECLIPSE 60MM	4.50 x 8.00
PCEWBS-21	POOL COVER EDGE BENCH WOOD DRIVE SYSTEM & POLYCARBONATE ECLIPSE 60MM	4.50 x 9.00
PCEWBS-22	POOL COVER EDGE BENCH WOOD DRIVE SYSTEM & POLYCARBONATE ECLIPSE 60MM	4.50 x 10.00
PCEWBS-23	POOL COVER EDGE BENCH WOOD DRIVE SYSTEM & POLYCARBONATE ECLIPSE 60MM	4.50 x 11.00
PCEWBS-24	POOL COVER EDGE BENCH WOOD DRIVE SYSTEM & POLYCARBONATE ECLIPSE 60MM	4.50 x 12.00
PCEWBS-25	POOL COVER EDGE BENCH WOOD DRIVE SYSTEM & POLYCARBONATE ECLIPSE 60MM	5.00 x 9.00
PCEWBS-26	POOL COVER EDGE BENCH WOOD DRIVE SYSTEM & POLYCARBONATE ECLIPSE 60MM	5.00 x 10.00
PCEWBS-27	POOL COVER EDGE BENCH WOOD DRIVE SYSTEM & POLYCARBONATE ECLIPSE 60MM	5.00 x 11.00
PCEWBS-28	POOL COVER EDGE BENCH WOOD DRIVE SYSTEM & POLYCARBONATE ECLIPSE 60MM	5.00 x 12.00
PCEWBS-29	POOL COVER EDGE BENCH WOOD DRIVE SYSTEM & POLYCARBONATE ECLIPSE 60MM	5.00 x 13.00
PCEWBS-30	POOL COVER EDGE BENCH WOOD DRIVE SYSTEM & POLYCARBONATE ECLIPSE 60MM	5.00 x 14.00
PCEWBS-31	POOL COVER EDGE BENCH WOOD DRIVE SYSTEM & POLYCARBONATE ECLIPSE 60MM	5.00 x 15.00
PCEWBS-32	POOL COVER EDGE BENCH WOOD DRIVE SYSTEM & POLYCARBONATE ECLIPSE 60MM	5.50 x 9.00
PCEWBS-33	POOL COVER EDGE BENCH WOOD DRIVE SYSTEM & POLYCARBONATE ECLIPSE 60MM	5.50 x 10.00
PCEWBS-34	POOL COVER EDGE BENCH WOOD DRIVE SYSTEM & POLYCARBONATE ECLIPSE 60MM	5.50 x 11.00
PCEWBS-35	POOL COVER EDGE BENCH WOOD DRIVE SYSTEM & POLYCARBONATE ECLIPSE 60MM	5.50 x 12.00
PCEWBS-36	POOL COVER EDGE BENCH WOOD DRIVE SYSTEM & POLYCARBONATE ECLIPSE 60MM	5.50 x 13.00
PCEWBS-37	POOL COVER EDGE BENCH WOOD DRIVE SYSTEM & POLYCARBONATE ECLIPSE 60MM	5.50 x 14.00
PCEWBS-38	POOL COVER EDGE BENCH WOOD DRIVE SYSTEM & POLYCARBONATE ECLIPSE 60MM	5.50 x 15.00
PCEWBS-39	POOL COVER EDGE BENCH WOOD DRIVE SYSTEM & POLYCARBONATE ECLIPSE 60MM	6.00 x 10.00
PCEWBS-40	POOL COVER EDGE BENCH WOOD DRIVE SYSTEM & POLYCARBONATE ECLIPSE 60MM	6.00 x 11.00
PCEWBS-41	POOL COVER EDGE BENCH WOOD DRIVE SYSTEM & POLYCARBONATE ECLIPSE 60MM	6.00 x 12.00
PCEWBS-42	POOL COVER EDGE BENCH WOOD DRIVE SYSTEM & POLYCARBONATE ECLIPSE 60MM	6.00 x 13.00
PCEWBS-43	POOL COVER EDGE BENCH WOOD DRIVE SYSTEM & POLYCARBONATE ECLIPSE 60MM	6.00 x 14.00
PCEWBS-44	POOL COVER EDGE BENCH WOOD DRIVE SYSTEM & POLYCARBONATE ECLIPSE 60MM	6.00 x 15.00

* The calculation should be made on basis of the total surface area of the pool, including any roman end and/or cutout. Always refer to the next highest dimensions.

Example: for a pool of 5,2m x 11,5m, please refer to the price of a 5,5x12 m.

SPOOL DIAMETER 60 MM ECLIPSE PROFILE

POOL LENGTH (m)	POOL WIDTH (m)										
	3	3.5	4	4.5	5	5.5	6	6.5	7	7.5	8
4	351	351	351	351	351	351	351	351	358	358	381
5	383	383	383	383	383	383	383	390	390	410	410
6	412	412	412	412	412	412	418	418	437	437	437
7	440	440	440	440	440	440	445	445	463	463	463
8	466	466	466	466	466	466	471	487	487	487	521
9	490	490	490	490	490	494	494	510	510	510	542
10	514	514	514	514	514	517	532	532	532	563	563
11	536	536	536	536	536	539	553	553	553	582	582
12	557	557	557	557	560	560	573	573	601	601	601
13	578	578	578	578	580	580	592	592	619	619	619
14	597	597	597	597	600	611	611	611	637	637	637
15	616	616	616	616	619	630	630	630	655	655	655
16	635	635	635	635	637	648	648	672	672	672	672
17	653	653	653	653	665	665	665	668	668	668	668
18	670	670	670	672	672	682	682	704	704	704	704
19	687	687	687	689	689	698	698	720	720	720	721
20	704	704	704	705	714	714	714	735	735	735	736
21	720	720	720	721	730	730	730	750	750	750	751
22	736	736	736	737	745	745	765	765	765	765	766
23	751	751	751	752	761	761	780	780	780	780	780
24	767	767	767	767	775	775	794	794	794	795	795
25	781	781	781	782	790	808	808	808	808	809	809

POLY CARBONATE ECLIPSE 60 MM

SPECIFICATION

Tri-extrusion polycarbonate profile: 60x15mm
 Anti-UV & anti-algae* profile
 Weight: 4 kg/m²
 Buoyancy: 94 N/m²
 U-value: 3.2 W/m².K
 Watertight siliconed end caps

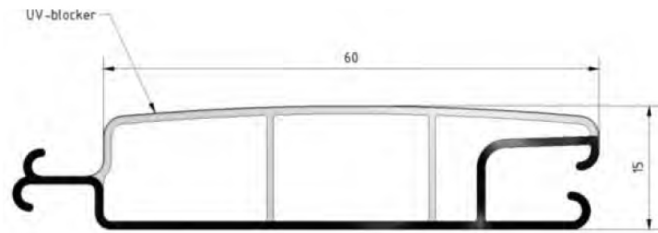
ADVANTAGES OF POLYCARBONATE

Higher Vicat softening point: ~ 130°C
 Superior shock resistance
 Stronger rigidity

COMPONENTS

On top of the general advantages of polycarbonate, this new profile impedes the formation of algae* inside the hinges of the slats, thanks to a partly closed connexion chamber that thoroughly blocks sun rays.

- Exceptional UV resistance
- Improved longevity
- Compatibility with both above ground and submerged installations
- Higher buoyancy than the traditional profile for greater safety
- Prevention of algae formation by blocking photosynthesis in the hinges*
- Assembly of the cover by clipping slats together or sliding them into one another



STANDARD COLORS



SLATS-117 - PC ECLIPSE
SOLAR BLUE



SLATS-119 - PC ECLIPSE
TRANSPARENT BLUE



SLATS-122 - PC ECLIPSE
CRYSTAL CLEAR



SLATS-131 - PC ECLIPSE
CRYSTAL SOLAR



SLATS-305 - PC ECLIPSE
PLATINUM



SLATS-306 - PC ECLIPSE
COBALT



SLATS-401 - PC ECLIPSE
SOLAR GREEN

SPECIAL COLORS



SLATS-201 - PC ECLIPSE OLIVE



SLATS-202 - PC ECLIPSE GOLD



SLATS-203 - PC ECLIPSE LAGOON



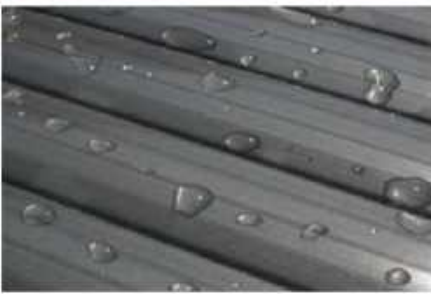
SLATS-204 - PC ECLIPSE OCEAN



SLATS-301 - PC ECLIPSE GRANITE



SLATS-302 - PC ECLIPSE STANDARD

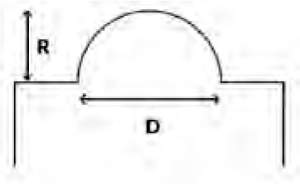


NOTE

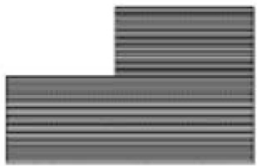
If the pool is rectangular, the pool width corresponds to the narrowest part of the main pool; if the pool has a special shape (round, oval, trapezoidal, etc.), the largest part of the main pool must be taken into account. The pool length must take into account an allowance for the pit (or any extra slats you wish for). Six extra slats are automatically supplied free of charge as spares.

OPTIONAL ACCESSORIES

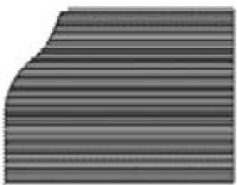
CUT - OUTS



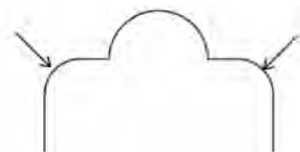
CODE	DESCRIPTIONS
OCA-01	Calculation: Roman end area (Entry x Length or Radius x Slat price/m ²)



CODE	DESCRIPTIONS
OCA-02	Calculation: Section area (Entry x Length x Slat price/m ²)



CODE	DESCRIPTIONS
OCA-03	Calculation: Area (Width x Length x Slat price/m ²)



CODE	DESCRIPTIONS
OCA-04	Set price per side of pool (spindle side & opposite side)

ACCESSORIES

PENDULUM



CODE	DESCRIPTIONS
OCA-05	Guiding for overflow pools: 1 piece required every meter on each side



NF SAFETY STRAP

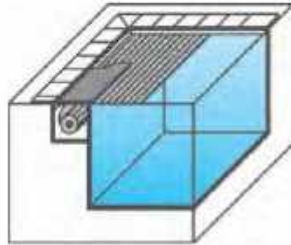
CODE	DESCRIPTIONS
OC-A06	Pool width < 3 m: 2 pieces required
	Pool width < 5 m: 3 pieces required
	Pool width < 7 m: 4 pieces required
	Pool width < 7 m: 5 pieces required

CODE	DESCRIPTIONS
OC-A07	Counter weight

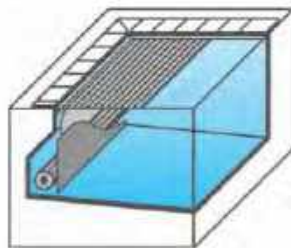
STRUCTURES

A large of solutions for a smooth integration of the cover in any pool configuration

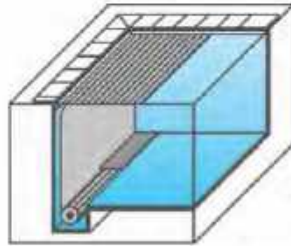
LETTERBOX



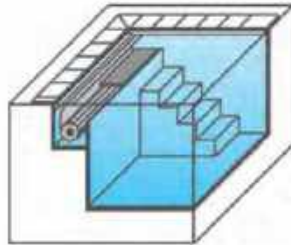
BACKWALL NICHE



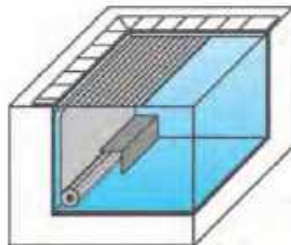
HATCH



SUNSHelf



BENCH



CALCULATION

Unless otherwise stated, prices are fixed and per 0.5m. Please always refer to the next highest dimension.

Examples: for a pool width of 2 m, please refer to the price for 3 m, for a pool width of 4,7m please refer to the price for 5m. In doubt or for other dimensions, please contact us.

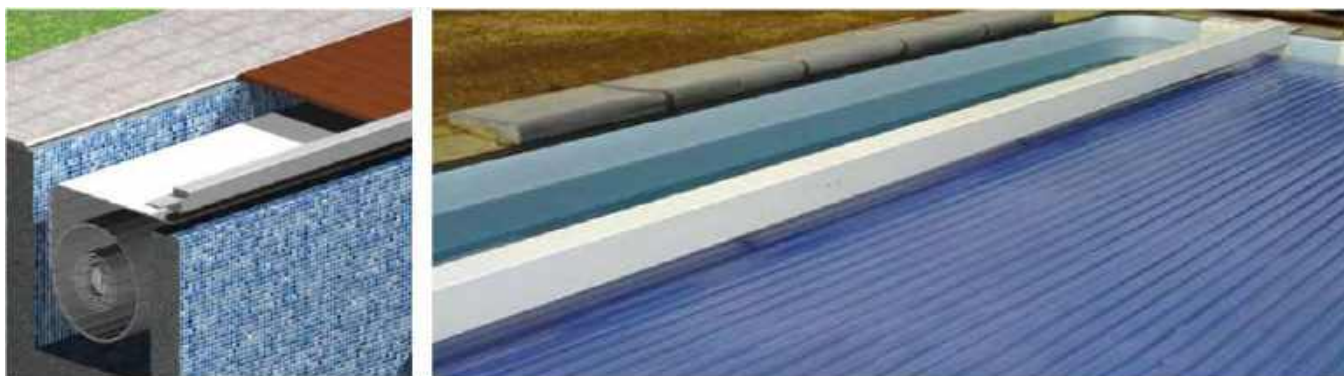
LETTERBOX

DESCRIPTIONS

In this configuration, the cover is concealed in a wet pit located behind the pool's backwall. Aqua offers several options to enable you to cover this pit with any type of finishing you may like.

STAINLESS STEEL BEAM

This system is suitable for pools up to 6m wide and meant to support lightweight decking. It is composed of a 5mm thick SS 316L box section beam.



CODE	DESCRIPTIONS	WIDHT	POOL LENGTH
		mm	m
SLB-01	STRUCTURES LETTERBOX STAINLESS STEEL BEAM BEAM	80 x 80	< 4.5
SLB-02	STRUCTURES LETTERBOX STAINLESS STEEL BEAM BEAM	100 x 100	< 6
SLB-03	STRUCTURES LETTERBOX STAINLESS STEEL BEAM L PROFILE	30 x 30 x 3	< 4.5
SLB-04	STRUCTURES LETTERBOX STAINLESS STEEL BEAM L PROFILE	30 x 30 x 3	< 6
SLB-05	STRUCTURES LETTERBOX STAINLESS STEEL BEAM BRUSHED BEAM	5	< 4.5
SLB-06	STRUCTURES LETTERBOX STAINLESS STEEL BEAM BRUSHED BEAM	4.5	< 6
SLB-07	STRUCTURES LETTERBOX STAINLESS STEEL BEAM EXTRA L PROFILE (TO FIT AT BACK OF THE PIT)	50 x 50 x 5	< 4.5
SLB-08	STRUCTURES LETTERBOX STAINLESS STEEL BEAM EXTRA L PROFILE (TO FIT AT BACK OF THE PIT)	50 x 50 x 5	< 6

MICROBEAM WITH LIGHTWEIGHT CANTILEVERS

This system is suitable for pools up to 6m wide and meant to support lightweight decking. It is composed of a 5mm thick SS 316L box section beam.

- A micro -beam of 30 x 30 3 mm
- Laser cut cantilever rollers, adjustable in height and length



CODE	DESCRIPTIONS	WIDHT
		m
SLBL-01	STRUCTURES LETTERBOX MICROBEAM WITH LIGHTWEIGHT CANTILEVERS	3
SLBL-02	STRUCTURES LETTERBOX MICROBEAM WITH LIGHTWEIGHT CANTILEVERS	4
SLBL-03	STRUCTURES LETTERBOX MICROBEAM WITH LIGHTWEIGHT CANTILEVERS	5
SLBL-04	STRUCTURES LETTERBOX MICROBEAM WITH LIGHTWEIGHT CANTILEVERS	6

HEAVY DUTY CANTILEVER

This system is used to support heavier decking such as tiles or coping stone and is especially suitable for tiled pools. It is composed of 50x50 mm heavy duty cantilever brackets, with guiding rollers, 1.1 m in length, to cut on site. The system can be further reinforced or finished with the following articles:

CODE	DESCRIPTIONS
SLBH-01	HEAVY DUTY CANTILEVERS HD CANTILEVER
SLBH-02	CROSS MEMBER SUPPORT TO FIT BETWEEN THE CANTILEVERS FOR EXTRA SUPPORT
SLBH-03	SUPPORT BRACKETS FOR SIDEWALLS
SLBH-04	SS U-SHAPED FRONT PROFILE
SLBH-05	SS TRAY FOR TILING, MADE TO MEASURE, 3 MM THICK
SLBH-06	MESH WELDED IN TRAY FOR EASY TILING
SLBH-07	LIFTING EYE IN TRAY FOR EASY LIFTING



BACKWALL NICHE PRO

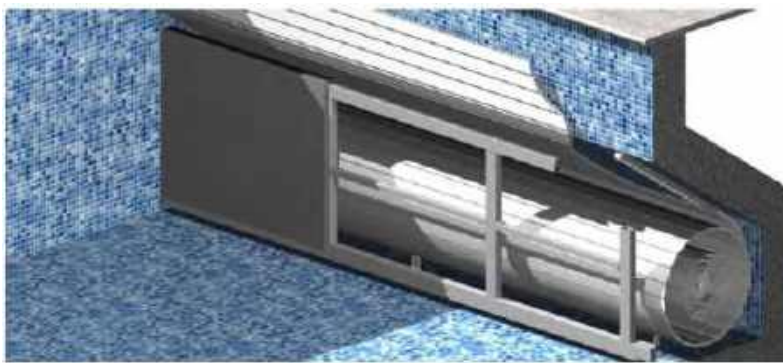
DESCRIPTIONS

In this configuration, the cover is concealed in a recess in the pool's back wall and guided out of it thanks to roller guides. Ocea offers different types of system to choose from, depending on your needs and expectations.

STAINLESS STEEL BEAM

This system is suitable for any type of pool (liner, tiles, etc.). The structure is made to measure and composed of:

- A stainless-steel framework
- 12mm thick PVC panels, ready to be finished in accordance to the client's taste (max. 1m high) or white finishing PVC panels, 8mm thick (max. 900mm high)
- Roller rails

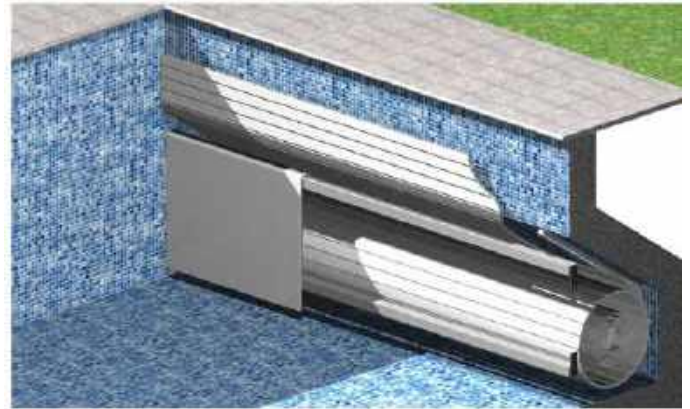


CODE	DESCRIPTIONS	POOL WIDTH
		mm
BWN-0	BACK WALL	3
BWN-1	BACK WALL	3.5
BWN-2	BACK WALL	4
BWN-3	BACK WALL	4.5
BWN-4	BACK WALL	5
BWN-5	BACK WALL	5.5
BWN-6	BACK WALL	6
BWN-7	SS ROLLER RAIL WITH DOUBLE WHEELS & SILICONE O RING, TO FIT ON ROOF OF THE RECESS RECOMMENDATION: MIN. 1 RAIL EACH METE	
BWN-8	FIXATION BRACKETS FOR ROLLER RAILS FOR NICHE WITH FLAT ROOF (SET OF 2 PIECES)	

BACK WALL NICHE LIGHT

This system is suitable for liner pools up to 6m in width and is composed of:

- Two box sections of 60 x 60 x 3mm
- White PVC panels of 996x750x8 mm (to cut to size)



CODE	DESCRIPTIONS	POOL WIDHT
		mm
BWNL-01	BACK WALL NICHE LIGHT	4
BWNL-02	BACK WALL NICHE LIGHT	5
BWNL-03	BACK WALL NICHE LIGHT	6
BWNL-04	SS ROLLER RAIL WITH DOUBLE WHEELS & SILICONE O RING, TO FIT ON ROOF OF THE RECESS. RECOMMENDATION: 1 PIECE EVERY METER + 1	

POOL BOTTOM FIXED HATCH

This system is suitable for any type of pool (liner, tiles, etc.). The structure is made to measure and composed of:

- A stainless-steel framework
- 12 mm thick PVC panels, ready to be finished in accordance to the client's taste
- Roller rails



CODE	DESCRIPTIONS	POOL WIDTH
		mm
PBFH-01	POOL BOTTOM FIXED HATCH	3
PBFH-02	POOL BOTTOM FIXED HATCH	3.5
PBFH-03	POOL BOTTOM FIXED HATCH	4
PBFH-04	POOL BOTTOM FIXED HATCH	4.5
PBFH-05	POOL BOTTOM FIXED HATCH	5
PBFH-06	POOL BOTTOM FIXED HATCH	5.5
PBFH-07	POOL BOTTOM FIXED HATCH	6

MOTORIZED HATCH

In this system, the hatch that conceals the cover is motorized. Please contact our engineering department for quotes and technical requirements.



FIRST STEP SYSTEM

This system is suitable for any type of pool (liner, tiles, etc.). The structure acts as the first step of the stairs or as a sun shelf. It is made to measure and composed of:

- A stainless steel framework
- 20mm PVC panels ready to be finished in accordance to the client's taste



CODE	DESCRIPTIONS	POOL WIDTH
		mm
SFS-01	FIRST STEP & SUN SHELF	3
SFS-02	FIRST STEP & SUN SHELF	3.5
SFS-03	FIRST STEP & SUN SHELF	4
SFS-04	FIRST STEP & SUN SHELF	4.5
SFS-05	FIRST STEP & SUN SHELF	5
SFS-06	FIRST STEP & SUN SHELF	5.5
SFS-07	FIRST STEP & SUN SHELF	6

SINGLE & DOUBLE BEAM SYSTEMS FOR SUN SHELVES

This system is suitable for pools up to 6m wide and is composed of:

- A box section beam of 100 x 100 x 3mm with welded guiding tube
- An optional second box section beam of 100 x 100 x 3mm for extra support



CODE	DESCRIPTIONS	POOL WIDTH
		mm
SSH-01	WITH SINGLE BEAM	6
SSH-02	WITH DOUBLE BEAM	6
SSH-03	PRE-CAST FIXATION SET (2 PIECES)	

BENCH PRO

This system is suitable for any type of pool (liner, tiles, etc.). The structure is made to measure and composed of:

- A stainless steel L-shaped frame made to measure, supplied in two parts (separate vertical & horizontal frames)
- L-shaped 12 mm thick PVC panels ready to be finished in accordance to the client's taste



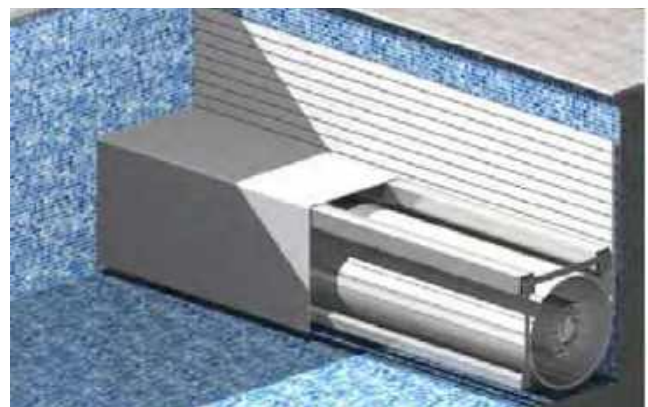
CODE	DESCRIPTIONS	POOL WIDTH
		mm
SBP-01	MADE TO MEASURE	3
SBP-02	MADE TO MEASURE	3.5
SBP-03	MADE TO MEASURE	4
SBP-04	MADE TO MEASURE	4.5
SBP-05	MADE TO MEASURE	5
SBP-06	MADE TO MEASURE	5.5
SBP-07	MADE TO MEASURE	6

BENCH LIGHT

This system is suitable for liner pools up to 6x12m and is composed of:

- 2 L-shaped profiles on which to fix the beams
- 2 box section beams of 100 x 100 x 3mm, incl. one with welded guiding tube
- 1 box section beam of 60 x 60 x 3mm
- L-shaped 8mm thick PVC panels, 2m long, to cut to size.

NB: once mounted, the bench is 720mm wide x 720mm high



CODE	DESCRIPTIONS	POOL WIDTH
		mm
SBPL-01	BENCH LIGHT	4
SBPL-02	BENCH LIGHT	6
SBPL-03	OPTION - SUPPLEMENT FOR CUTTING TO MEASURE BOTH EXTERNAL PANELS	

PACKING

Slats are wrapped in plastic bundles for protection. Bundles are free of charge. For collective shipment in Belgium or in the EU, bundles of slats will be packed in a transport crate for protection.

STANDARD CRATE

- For covers (slats only) up to 14m in length
- For covers up to 12m in length & their drive systems

Longer covers will be packed in 2 standard crates. Therefore, please count relevant packing fees twice.

CODE	DESCRIPTIONS	POOL WIDTH
		mm
OCP-SC-01	PACKAGING STANDARD CRATE	4
OCP-SC-02	PACKAGING STANDARD CRATE	5
OCP-SC-04	PACKAGING STANDARD CRATE	6
OCP-SC-05	PACKAGING STANDARD CRATE	7

CRATE MADE TO MEASURE

- For complete cover systems, including drive system, slats & structure
- For covers above 7m in width
- For any order being shipped overseas

CODE	DESCRIPTIONS	POOL WIDTH
		mm
OCP-C-01	CRATE MADE TO MEASURE	3
OCP-C-02	CRATE MADE TO MEASURE	4
OCP-C-03	CRATE MADE TO MEASURE	5
OCP-C-04	CRATE MADE TO MEASURE	6
OCP-C-05	CRATE MADE TO MEASURE	7
OCP-C-06	CRATE MADE TO MEASURE	8

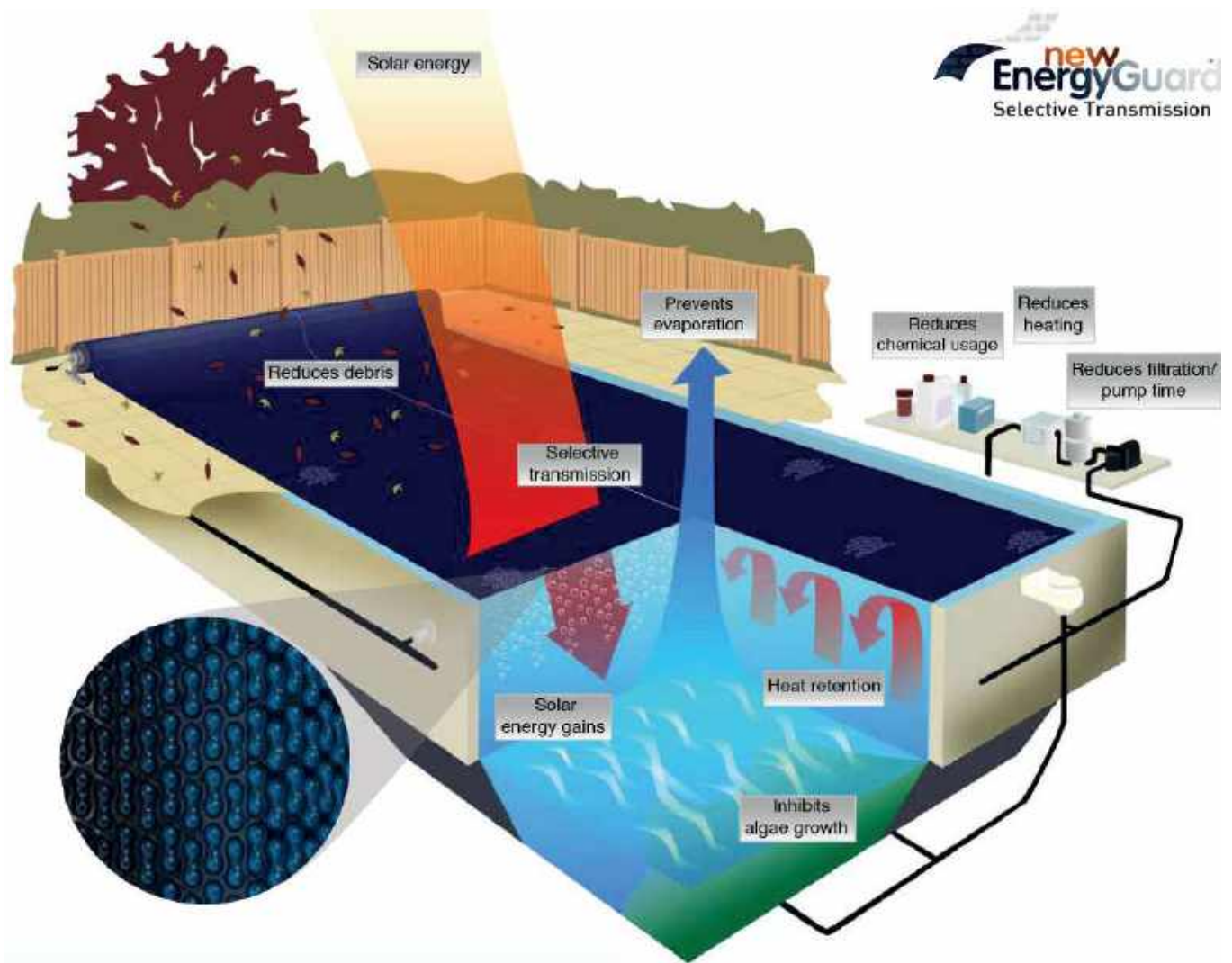
02 THERMAL COVERING



PREMIUM DOMESTIC LEADING EDGE

- Strong and durable PVC coated polyester netting
- Polyethylene foam inserts for added buoyancy
- Easily installed on new or existing covers by end user
- Complete with fixings and pull cord including our new slide lock clip
- Now also available in black

CODE	DESCRIPTIONS
CLE012BLC	PREMIUM DOMESTIC LEADING EDGE KIT FOR POOL 12' (3.65 m model)
CLE016BLC	PREMIUM DOMESTIC LEADING EDGE KIT FOR POOL 16' (4.8m model)
CLE020BLC	PREMIUM DOMESTIC LEADING EDGE KIT FOR POOL 20' (6.10m model)
CLE012BKC	PREMIUM DOMESTIC LEADING EDGE KIT FOR POOL - 12 ft
CLE016BKC	PREMIUM DOMESTIC LEADING EDGE KIT FOR POOL - 16 ft
CLE020BKC	PREMIUM DOMESTIC LEADING EDGE KIT FOR POOL - 20 ft



ENERGY GUARD SPECIFIC BENEFITS:

- Increases water temperature by up to 7°C
- Algae growth is inhibited
- Reduces filtration times by up to 50%
- Reduces chemical consumption by up to 60%
- Reduces energy consumption by up to 60%
- Can be used as a winter cover

GENERAL COVER BENEFITS:

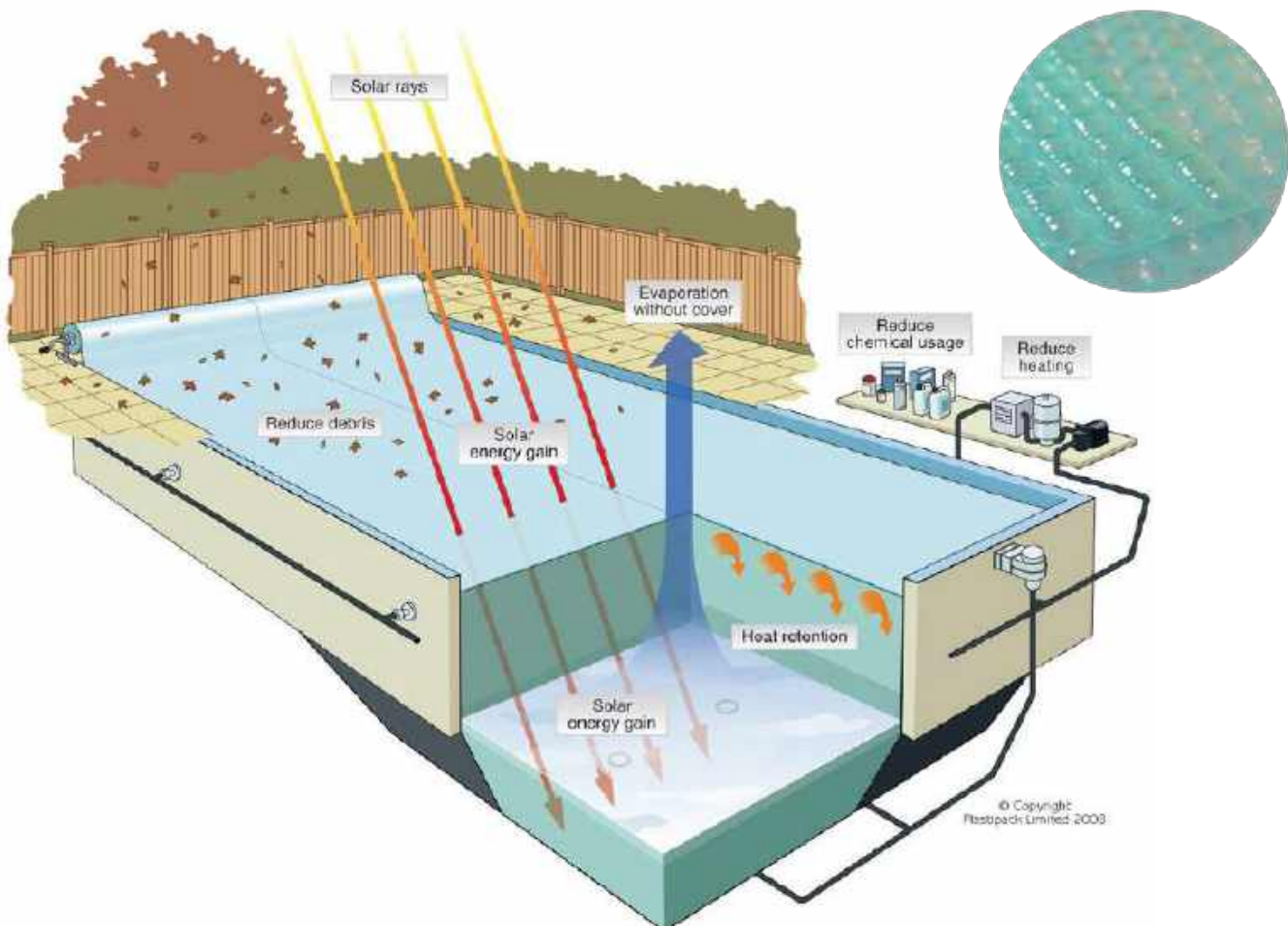
- Available with GeoBubble™ technology
- Eliminates water evaporation by 98% +
- Reduces debris contamination
- Saves money and shrinks your carbon footprint
- 6 year pro rata manufacturer's warranty

SOLAR GUARD 500

- Clear top, tinted translucent underside
- 500 micron
- Increase pool temperature by up to 8°C
- Eliminate water evaporation by 98% +
- Cut chemical consumption by up to 30%
- Lower energy consumption by over 50%
- 6 year pro-rata warranty (UK & Eire only)
- Sol+Guard 180 has higher UV stabilisation which is designed for use in hotter climates.

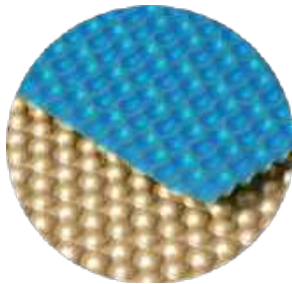


CODE	DESCRIPTIONS
PGS580	SOLAR GUARD 500 MICRON POOL COVER - PER M ²



MIDAS 500

- Gold underside gives an aqua blue top colour
- 500 micron
- 0.48Kg per sq.m
- Blue top with gold underside
- 4 year pro-rata warranty (UK & Eire only)



CODE	DESCRIPTIONS
PGM500	MIDAS 500 MICRON POOL COVER - PER M ²

ENERGY GUARD SELECTIVE TRANSMISSION

- 500 micron
- Can be used as a winter cover
- Eliminate water evaporation by 98%+
- Reduce chemical usage by up to 60%
- Lower energy consumption by over 50%
- Reduce debris contamination
- 6 year pro-rata warranty (UK & Eire only)
- EnergyGuard 180 has higher UV stabilisation which is designed for use in hotter climates.



CODE	DESCRIPTIONS
PGE580B	ENERGY GUARD 500MICRON POOL COVER - PER M ²

COOLGUARD ULTRA 500

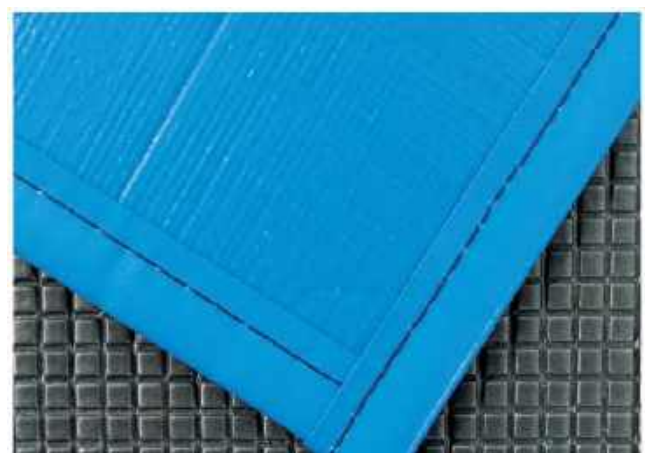
- 500 micron
- Minimise daily solar gains by 55%
- Maintain a 10% cooler pool
- Reduce energy consumption by over 50%
- Reduce chemical consumption by up to 50%
- Eliminate water evaporation by 98%
- Reduce debris contamination
- Save money and reduce carbon footprint of your pool
- 6 year+ pro-rata warranty (UK & Eire only)
- With Geobubble™ Technology
- Sol+Guard 180 has higher UV stabilisation which is designed for use in hotter climates.



CODE	DESCRIPTIONS
PGC500	COOL GUARD UNLTRA 500 MICRON POOL COVER - PER M ²

SUPER COVER (5MM)

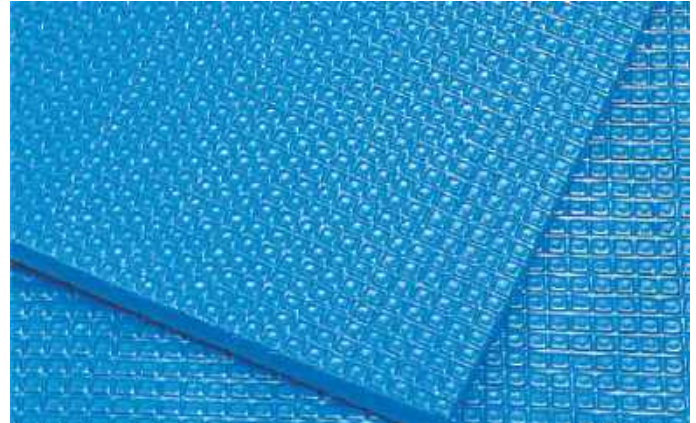
- 5mm polyolefine closed cell foam cover
 - Tough woven top and bottom sheet for heat retention and strength
 - Shaped and hemmed to your specification
 - Weighs 0.42kg per m.sq.
 - 29°C maximum temperature
 - 3 year pro rata guarantee
 - Help should be on hand to off-load larger covers upon delivery
- ! Extra carriage applies to Supercovers



CODE	DESCRIPTIONS
PSU100	SUPERCOVER 5MM - PER M ²
SHPMCOMS	SHAPING SURCHARGE PER M2
CUTCOMES	CUT OUT CHARGE
SH PACOMS	CHARGE FOR SHAPPING BAY

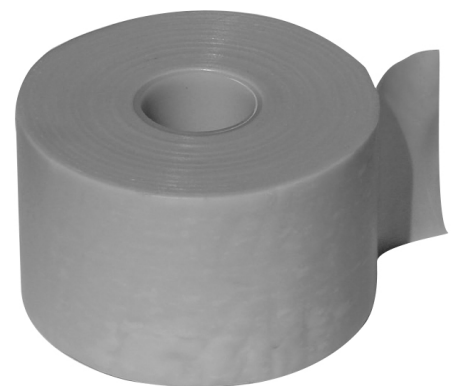
SPA COVER (12 MM)

- For spas and hydrotherapy pools
- 12mm foam center
- Laminated top and bottom with embossed clear protective layer
- Weighs 0.49kg per sq.m.
- 39°C maximum running temperature.
- Guarantee limited to 1 year due to higher water temperatures and chemicals.
- Not suitable for use with Reel Systems
- Not hemmed
- Help should be on hand to off-load larger covers upon delivery
- ! Extra carriage applies to Spa Covers



CODE	DESCRIPTIONS
PSP200	MIDAS 500 MICRON POOL COVER PER M ²
SHPMCOMS	SHAPING SURCHARGE PER M2

COVER REPAIR



CODE	DESCRIPTIONS	SUITABLE FOR
PLR150	COVER REPAIR TAPE 50MM x 33M ROLL SUITABLE	ALL COVERS
PLR255	REPAIR MATERIAL 0.15M WIDE PER M SUITABLE	SUPER COVERS
PLR230	COVER REPAIR KIT (4 PATCHES PER KIT)	ALL COVERS

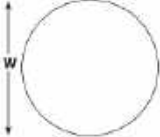

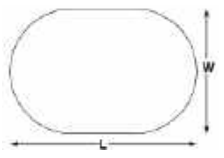

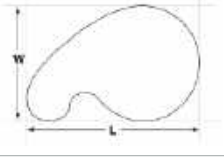




HEAT RETENTION COVERS

Over 90% of a pool's heat is lost via the water surface; this can be considerably reduced by using a heat retention cover.

- Reduce humidity levels
- Reduce the need for heating and ventilation
- Installs on most pool types including free-form pools
- Covers should recoup their costs from energy saving within twelve months
- Covers over 12m should have reinforcing and a leading edge
- Covers are despatched in roll form
- Packaging adds approximately 150mm to cover width designed for use in hotter climates.

HEAT RETENTION COVERS PRICING FORMULA

Follow the calculation method to find the chargeable area (CA) to the nearest M²

RECTANGULAR	CALCULATION	SHAPED	CALCULATION
STANDARD SIZE COVER WITH STEP CUT-OUT	Cover Price = Cover Area (CA) x Price per m PLUS 1 x cut-out charge CUTCOM per ladder		CA = W x W Cover price CA x (Price per m + shaping surcharge per m)
	RECTANGULAR CA = L x W Cover price = CA x Price per m		OVEL CA = W x W Cover price CA x (Price per m + shaping surcharge per m)
	ROMAN END CA = L x W List Price = CA x Price per m Add 1 x Charge for bay shaping		FREEFORM/KIDNEY CA = W x W Cover price CA x (Price per m + shaping surcharge per m)
	DOUBLE ROMAN END CA = L x W List Price = CA x Price per m Add 2 x Standard Charge for bay shaping		SHAPED OVAL/PEAR CA = W x W Cover price CA x (Price per m + shaping surcharge per m)
	WALK IN STAIRS/BAYS CA = L x W + (L2 x W2) List Price = CA x Price per m Add 1 x Charge for bay shaping		DOG LEG/LAZY 'L' CA = L x W + (L2 x W2) Cover price CA x (Price per m + shaping surcharge per m)



SLIDELOCK TELESCOPIC REEL

- Polished stainless steel end stands
- Anodised aluminium tubes
- Plastic end bosses and steering wheels
- Straps connect to tubes by our unique slide and lock fixing
- Locking device holds the tube in position, stopping the cover from unwinding.
- Range of different end stands
- Optional castor pack
- Small Slidelock tubes for 3.05m to 4.57m (4.3m maximum cover width)
- Large Slidelock tubes for 4.88m to 6.4m (6.1m maximum cover width)



Notes: Reels should be set up to have a maximum 300mm overlap each side.
Maximum recommended area of material on both reels is 75sq.m. Cover/tube overlap should be kept to a minimum.
Some flexing of the tube may occur with larger covers.

CODE	DESCRIPTIONS
PRD113	140 CM ELASTIC CORD WITH TOGGLE ENDS (PACK OF 8)
PRD115	ELASTICATED QUICK FIT STRAP KIT (PACK OF 3)
PRD125	PAIR OF THREADED DECK ANCHORS
PRD130	ADDITIONAL HEIGHT OF 300MM PER PAIR
PRD150	PACK OF 6 CASTORS (TYPE 2)
PRD20040	PACK OF 10 UNIVERSAL STRAP SETS (INDIVIDUALLY PACKED)
PRD20041	PACK OF 10 UNIVERSAL SETS (NOT INDIVIDUALLY PACKED)
PRD020PFB	PACK OF 20 BLUE PRESS FIX CONNECTORS
PRD050PFB	PACK OF 50 BLUE PRESS FIX CONNECTORS
PRD100PFB	PACK OF 100 BLUE PRESS FIX CONNECTORS
SLC00110	PACK OF 10 BLUE SLIDLOCK CLIPS
SLC00210	PACK OF 10 BLACK SLIDLOCK CLIPS
RTS100	REEL THUMB SCREWS
WED100	LARGE INNER WEDGES
WED200	SMALL OUTER WEDGES



Deck Anchors – PRD125



Castor Pack – PRD150



Strap Kit – PRD115



RTS100 – WED100 – WED200



Slidelock Clip, Blue – SLC00110



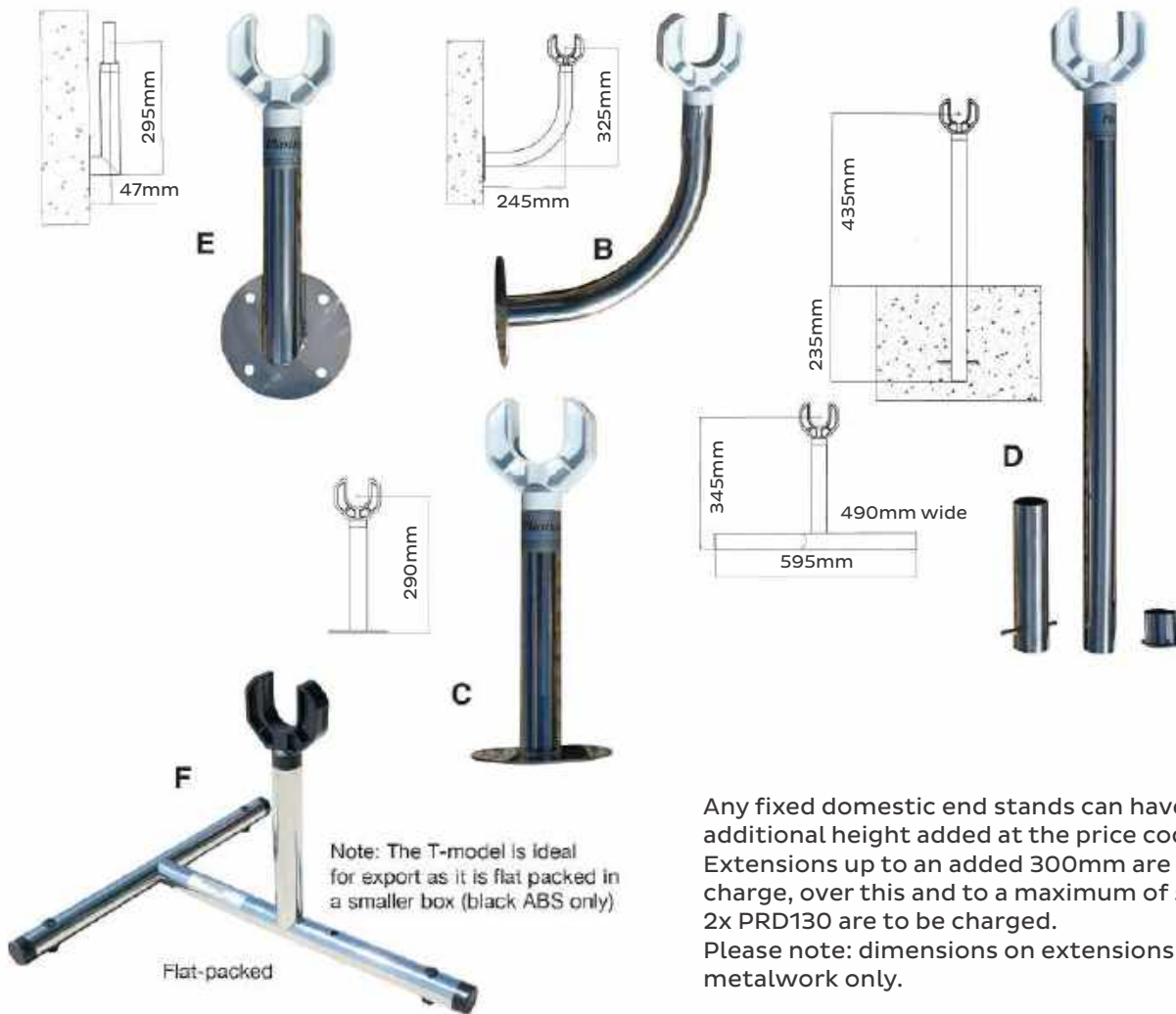
Slidelock Clip, Black – SLC00210



Press Fix Connector – PRD020PFB



Elastic cords with toggle ends Kit – PRD113



Any fixed domestic end stands can have an additional height added at the price coded. Extensions up to an added 300mm are 1x PRD130 charge, over this and to a maximum of 500mm, 2x PRD130 are to be charged. Please note: dimensions on extensions refer to metalwork only.



	CODE	DESCRIPTIONS (COMPLETE TELESCOPIC REEL)
B	PRD201K	WALL MOUNTED - 3.05M-4.57M (MAX COVER WIDTH 4.3M)
C	PRD202K	BASE PLATE MOUNTED - 3.05M-4.57M (MAX COVER WIDTH 4.3M)
D	PRD203K	SLEEVE MOUNTED - 3.05M-4.57M (MAX COVER WIDTH 4.3M)
E	PRD204K	SIDE WALL MOUNTED - 3.05M-4.57M (MAX COVER WIDTH 4.3M)
F	PRD200ETBK	T SPACE SVR FLAT PACKED MODEL - 3.05M-4.57M (MAX COVER WIDTH 4.3M)
B	PRD206K	WALL MOUNTED - 4.88M-6.4M (MAX COVER WIDTH 6.1M)
C	PRD207K	BASE PLATE MOUNTED - 4.88M-6.4M (MAX COVER WIDTH 6.1M)
D	PRD208K	SLEEVE MOUNTED - 4.88M-6.4M (MAX COVER WIDTH 6.1M)
E	PRD209K	SIDE WALL MOUNTED - 4.88M-6.4M (MAX COVER WIDTH 6.1M)
F	PRD205ETBK	T SPACE SVR FLAT PACKED MODEL - 4.88M-6.4M (MAX COVER WIDTH 6.1M)



REDUCTION GEARBOX

- Revolutionary product
- Fits both of Plastica Slidelock domestic reels
- Discreet and made to match the original boss
- Reduction makes winding reels easy
- Retro-fits to existing Slidelock reels on site
- Comes complete with all necessary tools and instructions
- Aerospace industry gearing for strength and reliability



CODE	DESCRIPTIONS
RGK007	3:1 REDUCTION GEARBOX FOR SLIDELOCK REEL



POWER PACK

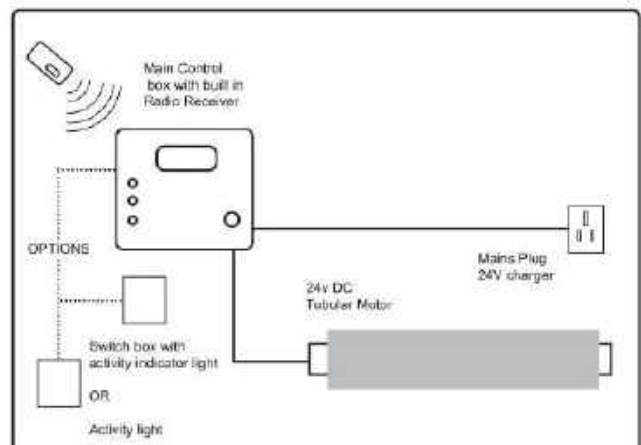
- Semi-automatic motorisation for domestic reels up to 75sq.m
- Motor fits Plastica Slidelock reel (& Reel Easy using adaptors)
- With built-in Brake, Limit Switches & Variable Start Delay timer
- Includes hand held remote control with up to 30m range
- S.E.L.V. can be mounted in pool area
- Built in battery back-up & 24v DC Power Supply/Charger
- Powerful motor with overload protection and 15m of cable.
- Complies with existing wiring regulations
- Safe Extra Low Voltage Control Box for safety (24V DC)
- Charger with 1.8m cable requires 6Amp 230v AC socket



CODE	DESCRIPTIONS
PRD604K	POWER PACK 24V MOTOR SYSTEM
PRD605RB	KEY SWITCH WITH 15M CABLE

Microprocessor controlled Control Panel with LCD display that has multiple menu options:

- Variable current limit
- Jammed cover reversing function
- Maximum of 8 radio remote controllers (1 supplied)
- Variable delay for button operated closing
- Variable delay for transmitter closing
- Selectable charger type



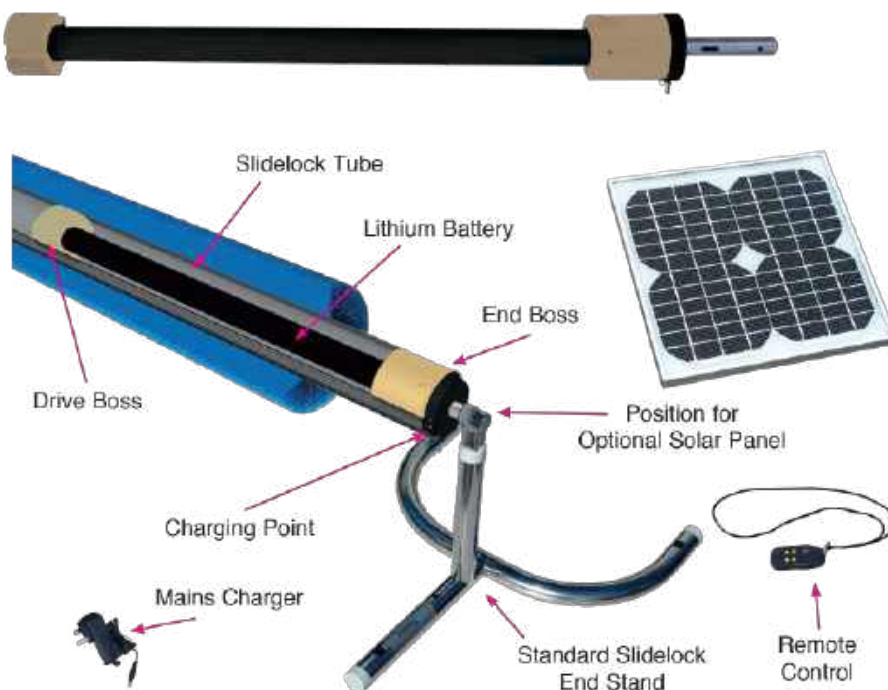
SLIDELOCK WIRELESS MOTORISATION KIT

- The simplest way to motorise your Slidelock Reel
- Remote control provided as standard
- No wiring required – completely self-contained
- Built-in Lithium battery provides long lasting power between charges
- Solar panel option keeps Lithium batteries optimised
- Comes complete with Lithium charger

A revolutionary new way to semi-automate your Slidelock Reel.
 The wireless power pack is exactly as its name would suggest.
 There is no need to lift paving or cut chases to run power cables.
 This unit simply secures into the reel with the supplied screws to provide instant motorisation for your reel.

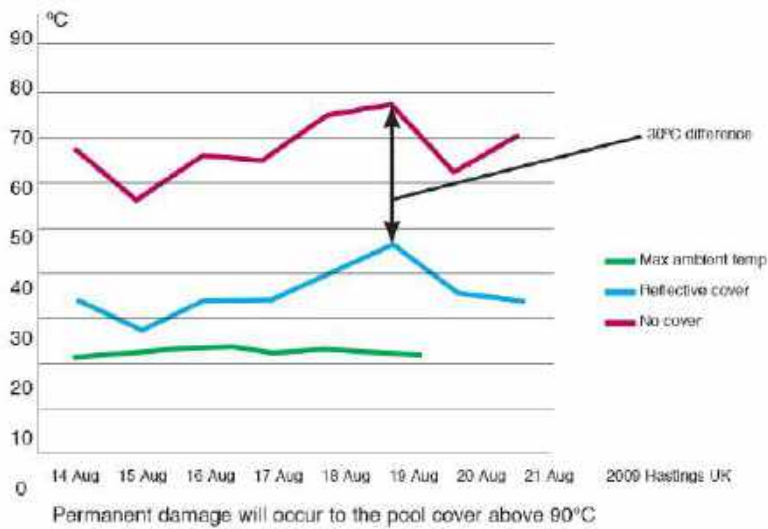


CODE	DESCRIPTIONS
PRD520	WIRELESS MOTORISATION KIT (50Nm) SMALL UP TO 4.57 x 9.14
PRD550	WIRELESS MOTORISATION KIT (50Nm) LARGE OVER 4.57 x 9.14
PRD501	SOLAR PANEL 5W



REFLECTIVE STORAGE COVER

- Reduces the temperature of a stored cover by over 30°C
- Extend the life of your cover by protecting from sun damage
- UV stabilized



CODE	DESCRIPTIONS
PSC801	REFLECTIVE STORAGE COVER 25M ROLL x 1M WIDE
PSC820	REFLECTIVE STORAGE COVER 6M LENGTH
PRD115	ELASTICATED QUICK FIT STRAP KIT (PACK OF 3)
PRD115	140 CM ELASTIC CORD WITH TOGGLE ENDS (PACK OF 8)

SOLAR PROTECTOR SHEET



ELASTIC CORD WITH TOGGLE ENDS-PRD113



STRAP KIT-PRD115

CODE	DESCRIPTIONS
PSC901	SOLAR PROTECTOR SHEET 25M ROLL x 1M WIDE
PSC920	SOLAR PROTECTOR SHEET 6M LENGTH
PRD115	ELASTICATED QUICK FIT STRAP KIT (PACK OF 3)
PRD113	140 CM ELASTIC CORD WITH TOGGLE ENDS (PACK OF 8)

DELUXE REEL PROTECTOR COVER

- Reinforced PVC
- Protects reel system from the elements
- Made to allow for 355mm steering wheel
- Blue – keeps rain & frost from damaging reel system left outside
- White – Reflects sun's rays & harmful UV to protect reel & cover

Note: White protector cover comes with blue press fix connectors

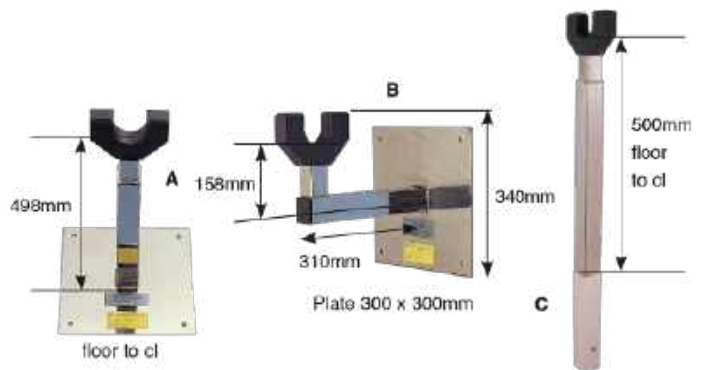


CODE	DESCRIPTIONS	REEL SIZE	COLOR
		m	
PRD215	DELUXE REEL PROTECTOR COVER SMALL REEL	4.5	WHITE
PRD218	DELUXE REEL PROTECTOR COVER MEDIUM REEL	5.5	WHITE
PRD222	DELUXE REEL PROTECTOR COVER LARGE REEL	6.5	WHITE
PRD226	DELUXE REEL PROTECTOR COVER EXTRA LARGE REEL	8	WHITE
PRD315	DELUXE REEL PROTECTOR COVER LARGE REEL	4.5	BLUE
PRD318	DELUXE REEL PROTECTOR COVER EXTRA LARGE REEL	5.5	BLUE
PRD322	DELUXE REEL PROTECTOR COVER LARGE REEL	6.5	BLUE
PRD326	DELUXE REEL PROTECTOR COVER EXTRA LARGE REEL	8	BLUE



COMMERCIAL REEL SYSTEM

- Suitable for most smaller commercial pools
- Nylon end bosses and anodised tube
- Optional reduction gearbox
- Highly polished stainless steel end stands as standard
- White powder coating available on request
- Approximate weight of each end stand including bearing is 10kg plus 2kg extra per 240mm run of tube



CODE	DESCRIPTIONS
PCR012	FIXED MANUAL TUBE PACKS DIA 3.66M
PCR014	FIXED MANUAL TUBE PACKS DIA 4.27M
PCR016	FIXED MANUAL TUBE PACKS DIA 4.88M
PCR018	FIXED MANUAL TUBE PACKS DIA 5.49M
PCR020	FIXED MANUAL TUBE PACKS DIA 6.1M
PCR022	FIXED MANUAL TUBE PACKS DIA 6.71M
PCR024	FIXED MANUAL TUBE PACKS DIA 7.32M
PCR026	FIXED MANUAL TUBE PACKS DIA 7.92M
PCR028	FIXED MANUAL TUBE PACKS DIA 8.53M
PCR030	FIXED MANUAL TUBE PACKS DIA 9.14M
PCR032	FIXED MANUAL TUBE PACKS DIA 9.75M
PCR002	BASE PLATE END STANDS
PCR004	WALLMOUNT END STANDS
PCR006	SLEEVE MOUNT END STANDS
PCR120	0.3M ADDED HEIGHT TO REEL SYSTEM PER PAIR

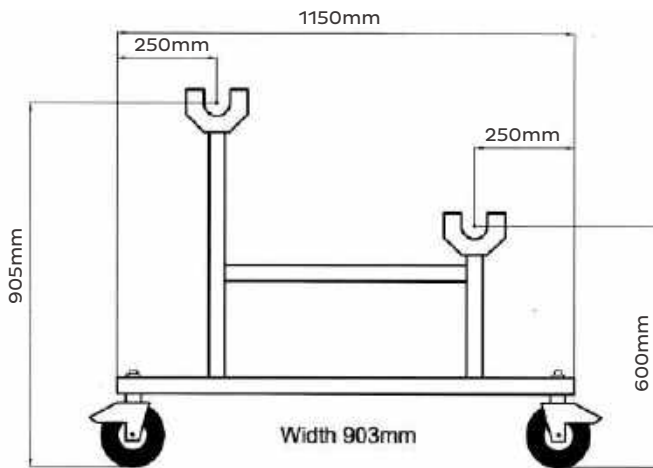
	LENGTH IN METRES						
	10	15	20	25	30	33	50
PCR012	0%	0%	0%	0%	0%	0%	0%
PCR014	0%	0%	0%	0%	0%	0%	0%
PCR016	0%	0%	0%	0%	0%	0%	0%
PCR018	0%	0%	0%	0%	0%	0%	0%
PCR020	0%	0%	0%	0%	0%	0%	A
PCR022	0%	0%	0%	0%	0%	A	A
PCR024	0%	0%	0%	0%	A	A	
PCR026	0%	0%	0%	A	A		
PCR028	0%	0%	A	A			
PCR030	0%	A	A				
PCR032	0%	A	A				





PIGGYBACK MOBILE

- For pools up to 13.7m wide
- Ideal when two covers are necessary for pools over 9.14m wide
- Dual tubes take two covers supported by a pair of mobile end stands
- Detachable cover with quick-fit snap connectors
- Stainless steel frame with nylon end bosses
- 127mm diameter aluminium tube
- 152mm stainless steel braked castors



CODE	DESCRIPTIONS	MAX. N POOL LENGTH
PPB012	PIGGYBACK MOBILE DOUBLE REEL 127MM DIA 3.66M	50
PPB014	PIGGYBACK MOBILE DOUBLE REEL 127MM DIA 4.27M	50
PPB016	PIGGYBACK MOBILE DOUBLE REEL 127MM DIA 4.88M	50
PPB018	PIGGYBACK MOBILE DOUBLE REEL 127MM DIA 5.49M	50
PPB020	PIGGYBACK MOBILE DOUBLE REEL 127MM DIA 6.1M	50
PPB022	PIGGYBACK MOBILE DOUBLE REEL 127MM DIA 6.71M	50
PPB024	PIGGYBACK MOBILE DOUBLE REEL 127MM DIA 7.32M	50
PPB20013	QUICK RELEASE STRAP KIT 5"	34
PPB20014	QUICK RELEASE STRAP KIT 7"	25

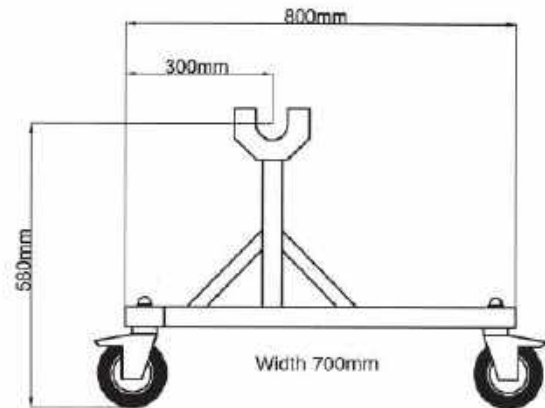
Piggyback with reduction gearbox
 There is an additional cost per reel when gearboxes are required. Please add a "G" to the end of the reel code when ordering - ie. PPB012G



MOBILE

- For smaller commercial pools
- Stainless steel frame with nylon end bosses
- 127mm diameter aluminium tube
- 127mm braked castors

Note: If cover length exceeds maximum as indicated then 165mm aluminium tube is required. Phone customers services for a quote. Reducyion gear box recommended for covers over 140 sq.m



CODE	DESCRIPTIONS	MAX. N POOL LENGTH
PPB212	MOBILE REEL SYSTEM 127MM DIA 3.66M	50
PPB214	MOBILE REEL SYSTEM 127MM DIA 4.27M	50
PPB216	MOBILE REEL SYSTEM 127MM DIA 4.88M	50
PPB218	MOBILE REEL SYSTEM 127MM DIA 5.49M	50
PPB220	MOBILE REEL SYSTEM 127MM DIA 6.1M	50
PPB222	MOBILE REEL SYSTEM 127MM DIA 6.71M	34
PPB224	MOBILE REEL SYSTEM 127MM DIA 7.32M	25
PPB226	MOBILE REEL SYSTEM 127MM DIA 7.92M	20
PPB228	MOBILE REEL SYSTEM 127MM DIA 8.53M	17
PPB230	MOBILE REEL SYSTEM 127MM DIA 9.14M	14
PPB232	MOBILE REEL SYSTEM 127MM DIA 9.75M	10

FULL COMMERCIAL STANCHION MOTORISED



- Ultra quiet motors with soft start - soft stop mechanism
- 304mm diameter stainless steel tubing
- Maximum cover capacity of 600 sq.m.
- 14m maximum tube length.
- Key switch and remote control operation
- Auto stop end of run settings

For a quote contact customer serviced



LIGHT COMMERCIAL MOTORIZED



Ideal for small commercial swimming pools

- Ultra quiet motors with soft start - soft stop mechanism
- Manufactured from stainless steel
- Maximum cover size 170 sq.m.
- 9m maximum standard tube length
- 168mm tube diameter
- Key switch and remote control
- Auto stop end of run settings



WIND RESISTANT WIRES

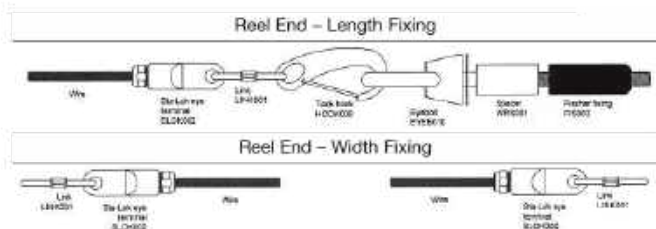
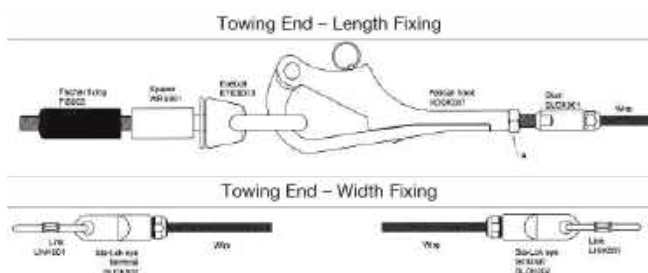
- Recommended for all outdoor pool covers
- Helps protect from lifting in winds up to Gale Force 5 (30km/h)
- Stainless steel wire fitted inside hemming and fixed at pool ends
- Requires wires on lengths and widths, together with two of each end fitting kit.

Notes: Wires can only be fitted at the time of manufacture.

Not guaranteed to make a pool cover windproof
Covers should be stored on a reel system in winds over Gale Force 5 (30km/h)



CODE	DESCRIPTIONS
WRW001	WIND WIRES PER LINEAR METER
WRT001	TOWING END FITTING KIT
WRR001	REEL END FITTING KIT



03 POOL ENCLOSURE



SISI

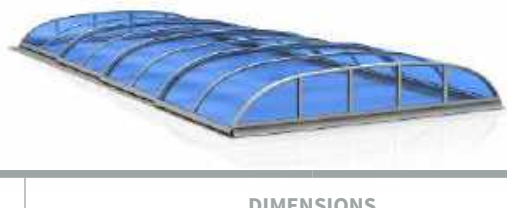
- Cost-effective pool cover
- Fully flat tracks without plastic covers
- Stainless steel automatic locking - not only a self-locking pin
- A modern and safe forefronts design - embedded in the beam profile
- Possible choice of reinforced profiles - instead of standard profiles 50 x 40 mm
- Anthracite surface color in a special offer
- 10 mm structured or full 4 mm polycarbonate



CODE	DESCRIPTIONS	DIMENSIONS	
		LENGTH	WIDTH
SISI	POOL ENCLOSURE	UP TO 650 CM	UP TO 650 CM

DELI

- low and elegant pool cover
- cost-effective pool cover
- fully flat tracks without plastic covers
- stainless steel automatic locking - not only a self-locking pin
- a modern and safe forefronts design - embedded in the beam profile
- possible choice of reinforced profiles - instead of standard profiles 50 x 40 mm
- anthracite surface color in a special offer
- 10 mm structured or full 4 mm polycarbonate



CODE	DESCRIPTIONS	DIMENSIONS	
		LENGTH	WIDTH
DELI	POOL ENCLOSURE	UP TO 650 CM	UP TO 650 CM

ORFEA

- Low cover with the dominant edges
- Fully flat tracks without plastic covers
- Stainless steel automatic locking - not only a self-locking pin
- A modern and safe forefronts design - embedded in the beam profile
- Possible choice of reinforced profiles - instead of standard profiles 50 x 40 mm
- Anthracite surface color in a special offer
- 10 mm structured or full 4 mm polycarbonate



CODE	DESCRIPTIONS	DIMENSIONS	
		LENGTH	WIDTH
ORFEA	POOL ENCLOSURE	UP TO 1510 CM	UP TO 550 CM

ZETA

- Low and elegant pool cover
- Cost-effective pool cover
- Fully flat tracks without plastic covers
- Stainless steel automatic locking - not only a self-locking pin
- A modern and safe forefronts design - embedded in the beam profile
- Possible choice of reinforced profiles - instead of standard profiles 50 x 40 mm
- Anthracite surface color in a special offer
- 10 mm structured or full 4 mm polycarbonate



CODE	DESCRIPTIONS	DIMENSIONS	
		LENGTH	WIDTH
ZETA	POOL ENCLOSURE	UP TO 1510 CM	UP TO 500 CM

ZENZA1

- Low and almost flat roofing
- Extra reinforced profiles with a cross section of 60 x 60 mm are used for the supporting part of the structure
- Flat track of new shape
- Guide rail only on one side
- Stainless automatic locking system
- Anthracite surface color in a special offer



CODE	DESCRIPTIONS	DIMENSIONS		WIDTH
		LENGTH	WIDTH	
ZENZA1	POOL ENCLOSURE	UP TO 1510 CM	UP TO 500 CM	FROM 40 CM

RADA

- Flat guide rails AluDeck
- Low and distinctive cover
- Optional locking system BeUp – controlled by feed
- A modern and safe forefronts design - embedded in the beam profile
- Possible choice of reinforced profiles - instead of standard profiles 50 x 40 mm (above inside width 401 cm in standard)
- Anthracite surface color in a special offer
- Forefronts and sides made of full polycarbonate already in the standard



CODE	DESCRIPTIONS	DIMENSIONS	
		LENGTH	WIDTH
RADA	POOL ENCLOSURE	UP TO 650 CM	UP TO 650 CM

LUCI

- Flat guide rails AluDeck
- Low and elegant cover
- Optional locking system BeUp – controlled by feed
- A modern and safe forefronts design – embedded in the beam profile
- Possible choice of reinforced profiles – instead of standard profiles 50 x 40 mm (above inside width 401 cm in standard)
- Anthracite surface color in a special offer
- Forefronts and sides made of full polycarbonate already in the standard



CODE	DESCRIPTIONS	DIMENSIONS	
		LENGTH	WIDTH
LUCI	POOL ENCLOSURE	UP TO 1510 CM	UP TO 500 CM

10

NIKOL

- For freedom of movement around the enclosed pool
- Fully flat tracks without plastic covers
- Stainless steel automatic locking – not only a self-locking pin
- A modern and safe forefronts design – embedded in the beam profile
- Possible choice of reinforced profiles – instead of standard profiles 50 x 40 mm
- Anthracite surface color in a special offer
- 10 mm structured or full 4 mm polycarbonate



CODE	DESCRIPTIONS	DIMENSIONS	
		LENGTH	WIDTH
NIKOL	POOL ENCLOSURE	UP TO 1510 CM	UP TO 550 CM

JESICA

- For freedom of movement around the enclosed pool
- Fully flat tracks without plastic covers
- Stainless steel automatic locking - not only a self-locking pin
- A modern and safe forefronts design - embedded in the beam profile
- Possible choice of reinforced profiles - instead of standard profiles 50 x 40 mm
- Anthracite surface color in a special offer
- 10 mm structured or full 4 mm polycarbonate



CODE	DESCRIPTIONS	DIMENSIONS	
		LENGTH	WIDTH
JESICA	POOL ENCLOSURE	UP TO 1510 CM	UP TO 550 CM

KELLY

- High walk-through cover with movement of modules on retaining wall
- Fully flat tracks without plastic covers
- Stainless steel automatic locking - not only a self-locking pin
- A modern and safe forefronts design - embedded in the beam profile
- Possible choice of reinforced profiles - instead of standard profiles 50 x 40 mm
- Anthracite surface color in a special offer
- 10 mm structured or full 4 mm polycarbonate



CODE	DESCRIPTIONS	DIMENSIONS	
		LENGTH	WIDTH
KELLY	POOL ENCLOSURE	UP TO 1510 CM	UP TO 600 CM

SUNNY

- High walk-through cover with movement of modules on retaining wall
- Fully flat tracks without plastic covers
- Stainless steel automatic locking - not only a self-locking pin
- A modern and safe forefronts design - embedded in the beam profile
- Possible choice of reinforced profiles - instead of standard profiles 50 x 40 mm
- Anthracite surface color in a special offer
- 10 mm structured or full 4 mm polycarbonate



CODE	DESCRIPTIONS	DIMENSIONS	
		LENGTH	WIDTH
SUNNY	POOL ENCLOSURE	UP TO 1510 CM	UP TO 450 CM

VIDAR

- Flat guide rails AluDeck
- Monorail version - guide rails AluDeck only on one side, second side always trackless
- Beams of 60 x 60 mm cross sections - robust support structure
- Reinforced snow-proof construction
- Double sealing between modules and rails to reduce heat leakage
- Safeguarding in adverse weather conditions
- Low, luxury cover
- Modern and safe forefronts design - embedded in the beam profile
- Anthracite surface color in a special offer
- Filling completely from full polycarbonate already in standard
- Joining methods without visible rivets and screws



CODE	DESCRIPTIONS	DIMENSIONS	
		LENGTH	WIDTH
VIDAR	POOL ENCLOSURE	UP TO 1510 CM	UP TO 600 CM

MEGAN XZ

- Flat guide rails AluDeck
- Guide rails AluDeck in wider performance
- Beams of 60 x 60 mm cross sections - robust support structure
- Reinforced snow-proof construction
- Double sealing between modules and rails to reduce heat leakage
- Low, luxury cover
- Modern and safe forefronts design - embedded in the beam profile
- Anthracite surface color in a special offer
- Filling completely from full polycarbonate already in standard
- Joining methods without visible rivets and screws



CODE	DESCRIPTIONS	DIMENSIONS	
		LENGTH	WIDTH
MEGAN XZ	POOL ENCLOSURE	UP TO 1510 CM	UP TO 600 CM

VIDARIUS XZ

- Flat guide rails AluDeck
- Monorail version - guide rails AluDeck only on one side, second side always trackless
- Beams of 60 x 60 mm cross sections - robust support structure
- Reinforced snow-proof construction
- Double sealing between modules and rails to reduce heat leakage
- Safeguarding in adverse weather conditions
- Low, luxury cover
- Modern and safe forefronts design - embedded in the beam profile
- Anthracite surface color in a special offer
- Filling completely from full polycarbonate already in standard
- Joining methods without visible rivets and screws



CODE	DESCRIPTIONS	DIMENSIONS	
		LENGTH	WIDTH
VIDARIUS XZ	POOL ENCLOSURE	UP TO 1510 CM	UP TO 600 CM

SUNNY XZ

- Flat guide rails AluDeck
- Guide rails AluDeck for bottom side, but also for upper guidance
- Beams of 60 x 60 mm cross sections - robust support structure
- Reinforced snow-proof construction
- Double sealing between modules and rails to reduce heat leakage
- Safeguarding in adverse weather conditions
- Low, luxury cover
- Modern and safe forefronts design - embedded in the beam profile
- Anthracite surface color in a special offer
- Filling completely from full polycarbonate already in standard
- Joining methods without visible rivets and screws



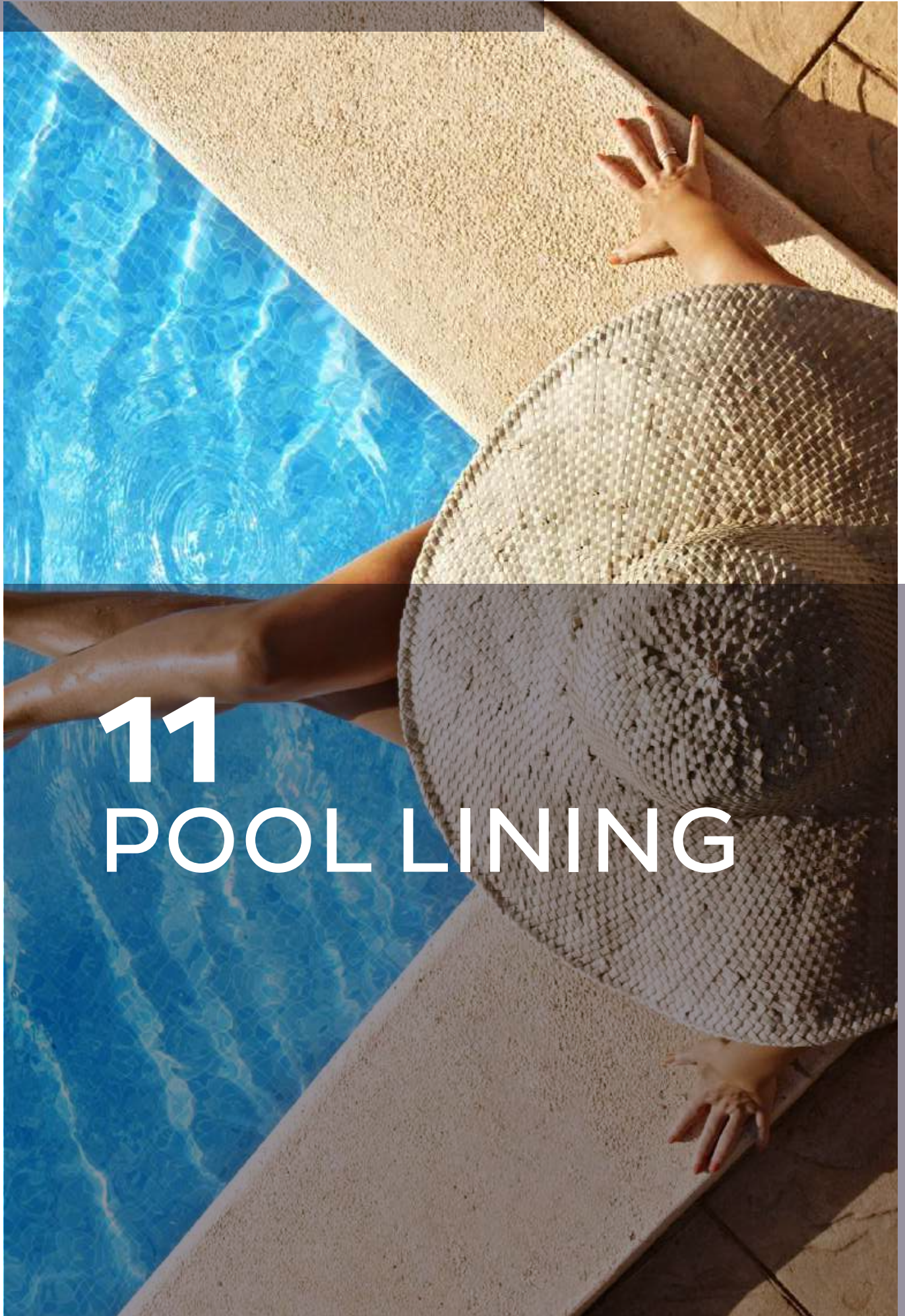
CODE	DESCRIPTIONS	DIMENSIONS	
		LENGTH	WIDTH
SUNNY XZ	POOL ENCLOSURE	UP TO 1510 CM	UP TO 600 CM

CUBE

- Elegant look
- Detachable and portable construction
- Anthracite surface color in a special offer



CODE	DESCRIPTIONS	DIMENSIONS	
		LENGTH	WIDTH
CUBE	POOL ENCLOSURE	UP TO 383 CM	UP TO 383 CM (WITHOUT SUPPORTING BEAM)



11 POOL LINING

INDEX

01	ELBTAL POOL LINING	396
02	RENOLIT POOL LINING	402
03	SOFT WALK	406
04	SPECIAL LINING	407
05	SEALING	409
06	ALUMINIUM PROFILE	413
07	GRID PROFILE	415

01 ELBTAL POOL LINING

ELBTAL SGB 150

Flexible waterproofing membranes made in plasticized polyvinyl chloride (PVC-P) reinforced with fibers to be used as pool lining

CONTEXT OF USE

Public and private pools with pvc membrane lining
Skimmer and over flow edge technology with PVC membrane Lining

DESCRIPTION

Properties: UV-resistant, resistant to cold temperatures and adverse weather conditions good weldability, free from heavy metals, excellent results of physiological testing in compliance with EN 71/3, antimicrobial, resistant to all chemical products used for water treatment (according to chemical product instructions).

TECHNICAL FEATURES

Made in fully recyclable PVC. Chemical and mechanical properties are ensured by additives in compliance with international regulation. PVC does not release dioxins into the atmosphere and can be recycled through degasification. After recycling. It is normally reused to produce material for floor lining. Strong and water proof made in reinforced PVC with a thickness of 1.50mm, it guarantees excellent pool sealing.

Smooth and pleasant to the touch, durable and low -maintenance. UV-resistant to adverse weather conditions and cold temperatures. Antimicrobial. Weldable. Free from heavy metals and physically tested in compliance with EN 71/3. Resistant to pool detergents and water purification products, if these are used according to the instructions and with a water temperature up to 28°C.

STANDARDS

Manufactured in compliance with EN 13967 ce 071349-cpd-036 thanks to their texture surface on-slip STG 200 pools ensure safe walking on steps, ladder, children's areas and other areas of the pool where users frequently walk. Our STG 200 pools offer excellent safety standards on non-slip surfaces, confirmed by the class C certification under DIN 51097 and DIN EN 13451 standards.



CODE	DESCRIPTION	m ²
800800034	Light blue Elbtal pool lining m25 x 1.65	41.25
800800035	Light blue Elbtal pool lining m25 x 2.00	50.00
800800036	Non-slip light blue Elbtal pool lining m10 x 1.65	16.50
800800062E	Light blue liquid PVC kg. 1	
800800038	Blue Elbtal pool lining m25 x 1.65	41.25
800800039	Blue Elbtal pool lining m25 x 2.00	50.00
800800040	Non-slip blue Elbtal pool lining m10 x 1.65	16.50
800800061E	Blue liquid PVC kg. 1	
800800204	Green Elbtal pool lining m25 x 1.65	41.25
800800252	Non-slip green Elbtal pool lining m10 x 1.65	16.50
800800063E	Green liquid PVC kg. 1	
800800205	White Elbtal pool lining m25 x 1.65	41.25
800800253	Non-slip white Elbtal pool lining m10 x 1.65	16.50
80080053E	White liquid PVC kg. 1	
800800207	Grey Elbtal pool lining m25 x 1.65	41.25
800800254	Non-slip grey Elbtal pool lining m10 x 1.65	16.50
800800066E	Grey liquid PVC kg. 1	
800800208	Dark grey Elbtal pool lining m25 x 1.65	41.25
800800255	Non-slip dark grey Elbtal pool lining m10 x 1.65	16.50
800800067E	Dark grey liquid PVC kg. 1	
800800030	Sand Elbtal pool lining m25 x 1.65	41.25
800800031	Sand Elbtal pool lining m25 x 2.00	50.00
800800032	Non-slip sand Elbtal pool lining m10 x 1.65	16.50
800800065E	Sand liquid PVC kg. 1	
800800211	Black Elbtal pool lining m25 x 1.65	41.25
800800257	Non-slip black Elbtal pool lining m10 x 1.65	16.50
80080064E	Black liquid PVC kg. 1	
808800040	THF thinner l 1c	
808800025	PVC PROFILE 9X3 mt.50	

OPTIONAL

CODE	DESCRIPTION
800800049	Liquid PVC applicator
808800026	Pool lining fastening and finishing PVC profile, to be inserted in the fastening profile
808800033	Closed-cell technology mat H 1500 L 15m thickness 5mm for walls and floor
808800034	Closed-cell technology mat H 1500 L 15m thickness 10

ELBTAL SBG DREAM ISLAND

Flexible waterproofing membranes made in plasticized polyvinyl chloride (PVC-P) reinforced with fibers to be used as pool lining

CONTEXT OF USE

Public and private pools with pvc membrane lining
Skimmer and over flow edge technology with PVC membrane Lining

DESCRIPTION

The coating Island dreams gives the pool a natural look. It is non-slip certificate, so it can be laid on the steps and at the entrances to the beaches. Thanks to its special surface coating it can also be placed out of the water and on the shore of the pool

TECHNICAL FEATURES

Made in fully recyclable PVC. Chemical and mechanical properties are ensured by additives in compliance with international regulation. PVC does not release dioxins into the atmosphere and can be recycled through degasification. After recycling, it is normally reused to produce material for floor lining. Strong and water proof made in reinforced PVC with a thickness of 1.50mm, it guarantees excellent pool sealing.

Smooth and pleasant to the touch, durable and low-maintenance. UV-resistant to adverse weather conditions and cold temperatures. Antimicrobial. Weldable. Free from heavy metals and physically tested in compliance with EN 71/3. Resistant to pool detergents and water purification products, if these are used according to the instructions and with a water temperature up to 28°C.

STANDARDS

Manufactured in compliance with EN CE 13967 071349- CPD-036 thanks to their texture surface non-slip STG 200 pools ensure safe walking on steps, ladder, children's areas and other areas of the pool where users frequently walk. Our STG 200 pools offer excellent safety standards on non-slip surfaces, confirmed by the class C certification under DIN 51097 and DIN EN 13451 standards.



CODE	DESCRIPTION
800800049	Liquid PVC applicator
808800026	Liner look pool lining PVC profile
808800033	Closed-cell technology mat H 1500 L 15m thickness 5mm for walls and floor
808800034	Closed-cell technology mat H 1500 L 15m thickness 5mm for walls and floor



CAPRI



HAWAII



BALI



TAHITI

CODE	DESCRIPTION
800800259	Elbe island dreams Capri pool lining -H 1.60 x 20 m.-thick 1.5 mm
800800068	Liquid PVC Capri -1 kg
800800261	Elbe island dreams Hawaii pool lining -H 1.6 x 20 m.-thick 1.5mm
800800069	Liquid PVC Hawaii -1 kg
800800260	Elbe island dreams Bali pool lining -H 1.6 x 20m.-thick 1.5mm
800800068	Liquid PVC Bali -1 kg
800800258	Elbe island dreams Tahiti pool lining -H 1.6 x 20m.-thick 1.5mm
800800073	Liquid PVC thaiti-1kg

ELBTAL SGB ELITE

Flexible waterproofing membranes made in plasticized polyvinyl chloride (PVC-P) reinforced with fibers to be used as pool lining

CONTEXT OF USE

Public and private pools with pvc membrane lining
Skimmer and over flow edge technology with PVC membrane Lining

DESCRIPTION

The ELITE coating is an excellent barrier against sunscreens due to its special surface lacquering. It is resistant to chemicals and resists fading.

TECHNICAL FEATURES

Made in fully recyclable PVC. Chemical and mechanical properties are ensured by additives in compliance with international regulation. PVC does not release dioxins into the atmosphere and can be recycled through degasification. After recycling. It is normally refused to produce material for floor lining. Strong and water proof made in reinforced PVC with a thickness of 1.50mm, it guarantees excellent pool sealing.

Smooth and pleasant to the touch, durable and low-maintenance. UV-resistant to adverse weather conditions and cold temperatures. Antimicrobial. Weldable. Free from heavy metals and physically tested in compliance with EN 71/3. Resistant to pool detergents and water purification products, if these are used according to the instructions and with a water temperature up to 28°C.

STANDARDS

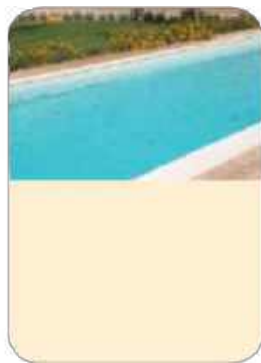
Manufactured in compliance with EN CE 13967 071349-CPD -036 thanks to their texture surface on-slip STG 200 pools ensure safe walking on steps, ladder, children's areas and other areas of the pool where users frequently walk. Our STG 200 pools offers excellent safety standards on non-slip surfaces, confirmed by the class C certification under DIN 51097 and DIN EN 13451 standards.



CODE	DESCRIPTION
800800049	Liquid PVC applicator
808800026	Liner look pool lining PVC profile
808800033	Closed-cell technology mat H 1500 L 15m thickness 5mm for walls and floor
808800034	Closed-cell technology mat H 1500 L 15m thickness 5mm for walls and floor



WHITE ARTIC



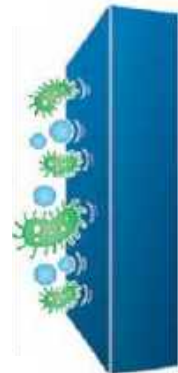
SAND BEACH



DEEP SEA



BLUE SKY



CODE	DESCRIPTION
800800262	Elbe elite white arctic pool lining -H 1.65 x 25 m
800800266	Non/slip elbe elite white arctic pool lining -H 1.65 x 10 m.
800800074	Liquid PVC white arctic -1 kg
800800263	Elbe elite sand beach pool lining -H 1.65 x 25 m
800800267	Non/slip elbe elite sand beach pool lining -H 1.65 x 10 m.
800800075	Liquid PVC sand beach -1 kg
800800264	Elbe elite deep sea pool lining -H 1.65 x 25 m
800800268	Non/slip elbe elite deep sea pool lining -H 1.65 x 10 m.
800800076	Liquid PVC deep sea -1 kg
800800265	Elbe elite blue sky pool lining -H 1.65 x 25 m
800800269	Non/slip elbe elite blue sky pool lining -H 1.65 x 10 m.
800800077	Liquid PVC blue sky -1 kg

02 RENOLIT POOL LINING



Minimum quantity lining purchased (standard / non-slip): half a roll.

CONTEXT OF USE

Public and private pools with pvc membrane lining
Skimmer and over flow edge technology with PVC membrane Lining

DESCRIPTION

UV-resistant, resistant to cold temperature and adverse weather condition, good eld ability, free from heavy metals, excellent results of physiological testing in compliance with EN 71/3, anti-microbial, resistant to all chemical products use for pool water treatment (according to chemical product instruction)

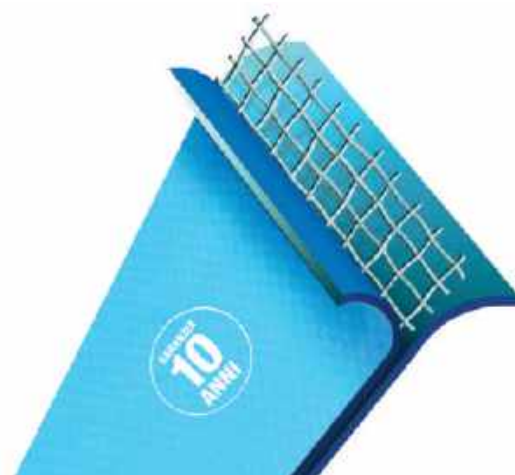
TECHNICAL FEATURES

Made in fully recyclable PVC. Chemical and mechanical properties are ensure by additives in compliance with international regulation. PVC does not release dioxins into the atmosphere and can be recycled through degasification. After recycling. It is normally refused to produce material for floor lining.strong and water proof made in reinforced PVC with a thickness off 1.50mm, it guarantees excellent pool sealing.

Smooth and pleasant to the touch, durable and low-maintenance. UV-resistant to adverse weather conditions and cold temperatures. Antimicrobial. Weldable. Free from heavy metals and physically tested in compliance. with EN 71/3. Resistant to pool detergents and water purification products, if these are used according to the instructions and with a water temperature up to 28C°.

STANDARDS

Manufactured in compliance with EN CE13967 071349-CPD -036 hanks to their texture surface ono-slip STG 200 pools ensure safe walking on steps, ladder, children's areas and other areas of the pool where users frequently walk. Our STG 200 pools offers excellent safety standards on non-slip surfaces, confirmed by the class C certification under DIN51097 and DIN EN 13451 standards.



CODE	DESCRIPTION
800800049	Liquid PVC applicator
808800026	Liner look pool lining PVC profile
808800033	Closed-cell technology mat H 1500 L 15m thickness 5mm for walls and floor
808800034	Closed-cell technology mat H 1500 L 15m thickness 5mm for walls and floor

RENOLIT ALKORPLAN 1000

The membrane is made of two calendered layers of polyvinyl chloride (PVC-P) reinforce with a polyester mesh.



CODE	DESCRIPTION	m ²
800800000	Light blue Renolit pool lining 25 x 1.65m	41.25
800800001	Light blue Renolit pool lining 25 x 2.05m	51.25
800800062	Light blue liquid PVC 1kg	
800800006	Blue Renolit pool lining 25 x 1.65m	41.25
800800007	Blue Renolit pool lining 25 x 2.05m	51.25
800800061	Blue liquid PVC 1kg	
800800002	Sand Renolit pool lining 25 x 1.65m	41.25
800800065	Sand liquid PVC 1kg	
800800004	Green Renolit pool lining 25 x 1.65m	41.25
800800063	Green liquid PVC 1kg	
800800005	Grey Renolit pool lining 25 x 1.65m	41.25
800800066	Grey liquid PVC 1kg	
800800008	White Renolit pool lining 25 x 1.65m	41.25
800800053	White liquid PVC 1kg	
808800040	THF thinner 1l	
808800025	Liner look PVC profile 9x3 mt.50	

RENOLIT ALKORPLAN 2000

The membrane is made of two calendered layers of polyvinyl chloride (PVC-P) reinforce with a polyester mesh.



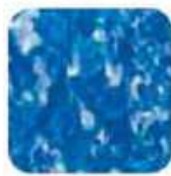
CODE	DESCRIPTION	m ²
800800009	Light blue Renolit pool lining 25 x 1.65m	41.25
800800010	Light blue Renolit pool lining 25 x 2.05m	51.25
800800100	Non-slip light blue Renolit pool lining m.12.60x1.65	20.79
800800062	Light blue liquid PVC 1kg	
800800016	Blue Renolit pool lining 25 x 1.65m	41.25
800800017	Blue Renolit pool lining 25 x 2.05m	51.25
800800106	Non-slip blue Renolit pool lining m.12.60x1.65	20.79
800800061	Blue liquid PVC 1kg	
800800011	Sand Renolit pool lining 25 x 1.65m	41.25
800800012	Sand Renolit pool lining 25 x 2.05m	51.25
800800102	Non-slip light sand Renolit pool lining m.12.60x1.65	20.79
800800065	Sand liquid PVC 1kg	
800800013	Green Renolit pool lining 25 x 1.65m	41.25
800800103	Non-slip light green Renolit pool lining m.12.60x1.65	20.79
800800063	Green liquid PVC 1kg	
800800014	Grey Renolit pool lining 25 x 1.65m	41.25
800800104	Non-slip light grey Renolit pool lining m.12.60x1.65	20.79
800800066	Grey liquid PVC 1kg	
800800015	Dark grey Renolit pool lining 25 x 1.65m	41.25
800800105	Non-slip grey Renolit pool lining m.12.60x1.65	20.79
800800067	Dark grey liquid PVC 1kg	
800800018	White Renolit pool lining 25 x 1.65m	41.25
800800019	White Renolit pool lining 25 x 2.05m	50.00
800800107	Non-slip dark white Renolit pool lining m.12.60x1.65	20.79
800800053	White liquid PVC 1kg	
800800049	Liquid PVC applicator bottle	
808800040	THF thinner 1l	
808800025	PVC profile 9 x 3 50m	
808800026	PVC look profile 50m (pool lining fastening and finishing)	

RENOLIT ALKORPLAN 3000

Printed reinforced membrane for pool lining.
The membrane is made of two calendered layers of polyvinyl chloride (PVC-P) reinforce with a polyester mesh.



MOSAIC



MARBLED



CARRARA



MOSAIC BYZANE
BLUE



PERSIAN BLUE



PERSIA SAND

CODE		DESCRIPTION	m ²
800800022	1	Mosaic Renolit pool lining 25 x 1.65m	41.25
800800043	2	Marbled Renolit pool lining 25 x 1.65m	41.25
800800054		Clear liquid PVC 1kg	
800800042	3	Carrara Renolit pool lining 25 x 1.65m	41.25
800800111		Non-slip Carrara Renolit pool lining 20 x 1.65m	33.00
800800054		Clear liquid PVC 1kg	
800800021	4	Bysance Renolit pool lining 25 x 1.65m	41.25
800800110		Non-slip Bysance Renolit pool lining 20 x 1.65m	33.00
800800054		Clear liquid PVC 1kg	
800800045	5	Persia Blue Renolit pool lining 25 x 1.65m	41.25
800800109		Non-slip persia Blue Renolit pool lining m.12.60 x 1.65	20.79
800800054		Clear liquid PVC 1kg	
800800044	6	Persia sand Renolit pool lining 25 x 1.65m	41.25
800800054		Clear liquid PVC 1kg	
800800049		Liquid PVC applicator bottle	
800800040		THF thinner 1l	
808800025		PVC profile 9 x 3 50m	
808800026		PVC look profile 50m (pool lining fastening and finishing)	

03 SOFT WALK

Available for pools with PVC lining only, it consists of a soft mat made of insulating foam with closed-cell technology, positioned on the floor or on side walls under the PVC lining. The mat has several advantages:

- Acts as an insulation layer between pool lining and structure reducing heat dissipation from the water;
- Makes walking on the pool floor safer and more comfortable
- Prevents the liner from coming into direct contact with the concrete floor or the steel walls of the pool;
- In combination with a non-slip coating for the pool floor, helps guarantee greater safety for pool users, especially in areas where the risk of slipping is higher, such as ladders and beaches;
- When placed on ladders, on benches with whirlpool jets or in shallow areas, it creates a comfortable surface where pool users can relax;
- Easy installation: it can be applied with just some glue and the relevant PVC finishing profiles; The SOFT WALK mat is a technical solution that can significantly improve the pool's comfort, creating a durable soft surface that is particularly suitable for activities such as aquafit and hydrotherapy.



CODE	DESCRIPTION
808800033	Soft walk mat 5 mm h1500-15mt
808800034	Soft walk mat 10 mm h1500-25mt

04 SPECIAL LINING

For ponds and biotopes in marshes, small artificial lakes, fish pond decoration and artificial water streams.

DESCRIPTION

- Standard lining with seals, made and certified according to DIN EN 16938 (type A anti-moisture barrier and type T anti-phreatic water barrier) thickness from 0.5 mm to 2.0 mm, UV-resistant, resistant to cold temperatures, suitable for fish, prepackaged or made to measure.
- Color of front WTG 150 / green (546), colour or rear WTG 150 / black (801).

TECHNICAL FEATURE

- Resistant to ageing and rot
- UV-resistant
- Stable in compliance with DIN 16726/DIN 4062
- Weldable
- Free from lead and cadmium
- Not resistant to bitumen, combustible oil, diesel fuel and hartschaum polystyrene
- Free from regenerated materials



CODE	DESCRIPTION	m ²
800800120	Lining in 2 x 25 rolls - 1,5 mm thickness	50.00

LINING FOR DARK WATER BASIN

Lining for tanks with homogeneous seals without border with 1.5 thickness and certified as containers of drinking water as well as ornamental fish (KOI) ponds.

DESCRIPTION

Tanks with synthetic seals obtained from plasticized polyvinyl chloride (PVC-P), for lining of drinking water basin interior sides. Verified with KTW testing and tests on the accumulation of bacterial colonies on materials for drinking water gem. DVGW- W270 work sheet.

TECHNICAL FEATURES

- Anti-ageing and anti-rot
- UV-resistant
- Prevents root penetration
- Weldable
- Free from lead, cadmium and other heavy metals
- Not resistant to bitumen, combustible oil, diesel fuel and hartschaum polystyrene
- Free from regenerated materials



LIGHT BLUE



ADRIATIC BLUE

CODE	DESCRIPTION	m ²
800800122	Lining in 2 x 25 rolls - 1,5 mm thickness	50.00

05 SEALING

LIQUID PVC

- Reinforcement of welding joints, internal and external corners of Renolit Alkorplan waterproofing membranes

DESCRIPTION

- Polyvinyl chloride (PVC) and tetrahydrofuran (THF) solution in 1 kg. package.
- COLORS: blue - light blue - green - white - clear - black - sand - grey - dark grey.

TECHNICAL FEATURES

- Viscous
- Volatile
- Low flash point
- Flash point: -17 ° C closed cup
- Consumption: approx. 1 kg/100 m



CODE	DESCRIPTION
800800049	Liquid PVC Applicator Bottle
800800061	Liquid PVC light blue adriatico
800800062	Liquid PVC light blue
800800063	Liquid PVC light green caraibi
800800053	Liquid PVC white
800800054	Liquid PVC transparent
800800064	Liquid PVC black
800800065	Liquid PVC sand
800800066	Liquid PVC gray
800800067	Liquid PVC dark gray

LIQUID PVC

Liquid PVC for sealing and finishing of elbtal PVC lining welds

DESCRIPTION

Polyvinyl chloride (PVC) and tetrahydrofuran (THE) solution in 1 kg package Colours blue - light blue - green - white - clear - black - sand - grey - dark grey.

TECHNICAL FEATURES

- Viscous Low flash point Volatile
- Flash point -17 C closed cup
- Consumption: Approx. 1 kg/100m



CODE	DESCRIPTION
800800049E	Liquid PVC Applicator Bottle
800800061E	Liquid PVC light blue adriatico
800800062E	Liquid PVC light blue
800800063E	Liquid PVC light green caraibi
800800053E	Liquid PVC white
800800054E	Liquid PVC transparent
800800064E	Liquid PVC black
800800065E	Liquid PVC sand
800800066E	Liquid PVC gray
800800067E	Liquid PVC dark gray
800800068E	Liquid PVC Bali

EPOXY ENAMEL

- Used for the waterproofing of pools or concrete basins, in new pools and in previously painted pools.
- Epoxy enamel 5 kg package to be used as catalyst (808800012), applying three coats is recommended.

APPLICATION:

- Remove dust, preferably with a vacuum cleaner.
- Clean with an acidic detergent, eliminating all traces of grease, rust, etc.
- Rinse with water. 4) Add the catalyst (not included) in a proportion of 1 to 2, mix well and allow to rest for 15 minutes. Apply within the next 8 hours.

The product can be applied with brush, roller or sprayed. If necessary, add nitro thinner. Wait 6-7 days before filling the pool.

INDICATIVE YIELD:

- First coat: with slightly diluted product from 4 to 6 sq. m for each kg of product.
- Second coat: with undiluted product from 4 to 5 sq.m for each kg of product.



CODE	DESCRIPTION
808800012	Catalyst for Enamel - 2.5kg
808800013	Epoxy Enamel - 5kg

LINING GLUE

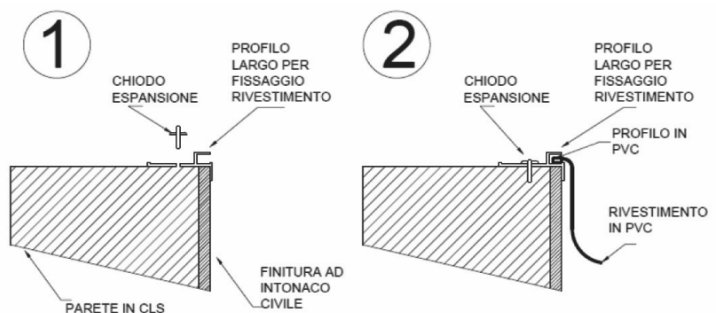
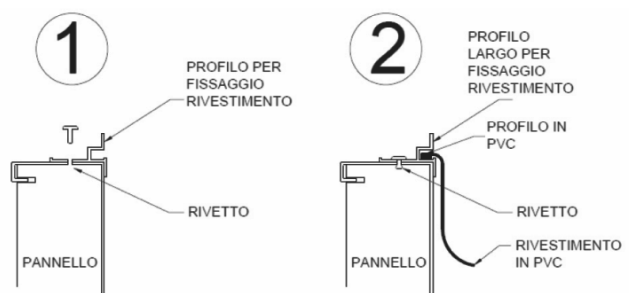
- Alkorplus b 40 is a solvent-based polyurethane adhesive that can be used for glueing flexible materials of synthetic origin (including plasticized materials).
- Alkorplus b 40 is used to facilitate hot-welding operations in the following cases:
 - To glue the central part of the non-slip lining to ladders, steps and roman steps; the edge is then welded with Leister and sealed as usual.
 - To pre-fasten the lining on reinforced concrete surfaces (for instance on steps, to ensure better traction for floor lining and on shutter housing top areas, without using anchor bolts).
 - Installation of PVC lining over an existing PVC lining (for instance in case of repairs or reconstruction over old PVC lining, re-lining after installation of Foam layer); the perimeter of the new lining is then welded with Leister and sealed as usual.



CODE	DESCRIPTION
800800072	Alkorplus Glue 5kg
800800014	B40 Glue 15kg

06 ALUMINIUM PROFILE

- PVC lining fastening profile to be secured along the perimeter of pools with panels or concrete structure.
- H-shaped (double tab) anodised aluminium profile for lining with groove for PVC profile
- For panel walls, with 3 m bars;
- Pre-cut H-shaped (double tab) anodised aluminium profile for lining with groove for PVC profile, to be used on radial or free form walls.
- For panel walls, with 3 m bars;
- L-shaped (single tab) anodised aluminium profile for lining with groove for PVC profile.
For reinforced concrete walls, with 3 m bars;
- Pre-cut L-shaped (single tab) anodised aluminium profile for lining with groove for PVC profile, to be used on radial or free form walls.
- For reinforced concrete walls, with 3 m bars



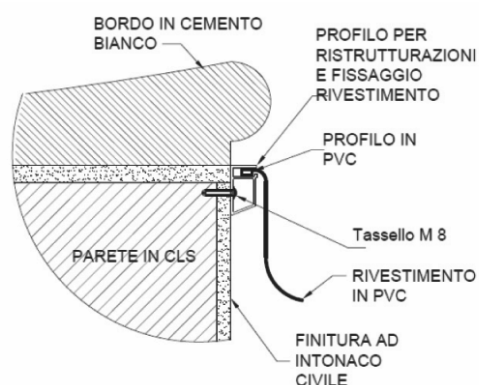
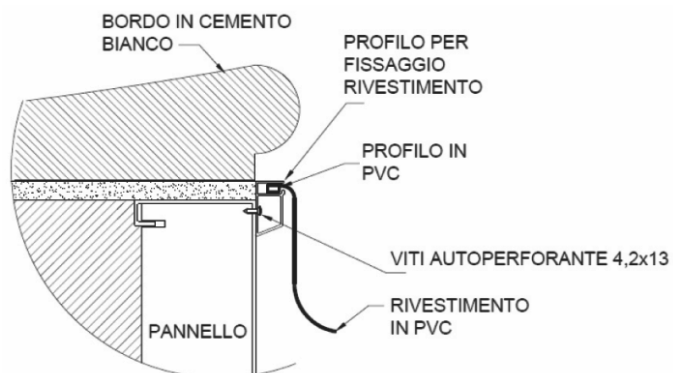
CODE	DESCRIPTION
808800021	Flexible anodized aluminum profile
808800022	Large anodized aluminum profile
808800023	Large flexible anodized aluminum profile

OPTIONAL

CODE	DESCRIPTION
802100009	Aluminum 3.4 x 11 rivets
808800011	Aluminum 4.8 x 26 expansion bolts

ALUMINUM PROFILE

- Fastening profile for PVC lining restoring, to be secured along the perimeter of pools with panels or concrete structure.
- Anodised aluminium profile developed for existing pool reconstruction projects.
- With groove for PVC profile
- Supplied with 3 m bars



CODE	DESCRIPTION
808800024	Aluminum profile restructuring

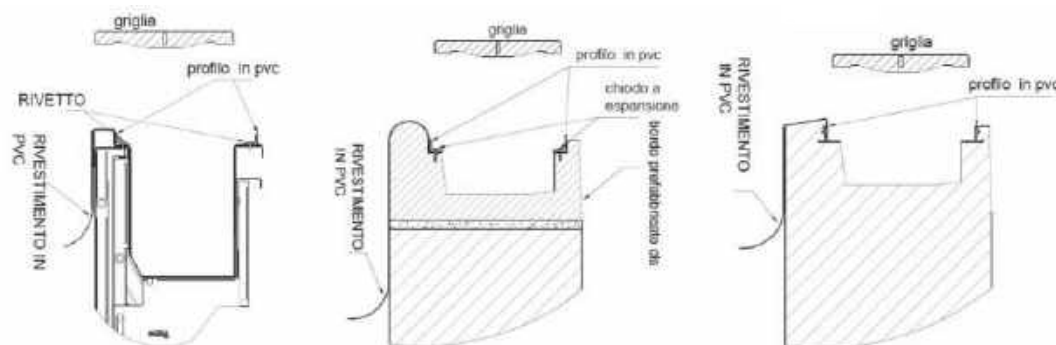
OPTIONAL

CODE	DESCRIPTION
802100021	M8 anchor bolts in package of 150 pcs, use one every 30cm along the pool perimeter
100201013	M8 anchor bolts in package of 50 pcs, use one every 30cm along the pool perimeter

07 GRID PROFILE

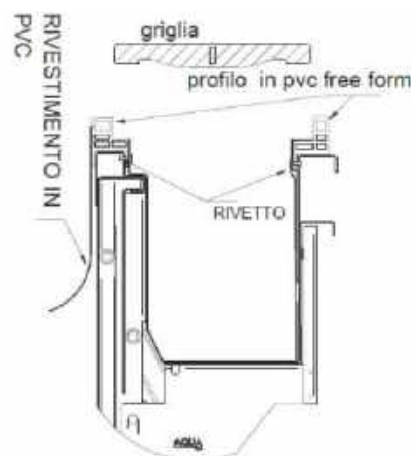
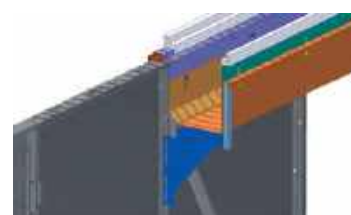


- L-shaped PVC profile for prefabricated or concrete overflow channel lining and for overflow edge grid housing.
- To be fastened to the pool edge with rivets in the prefabricated version; fasten with expansion bolts or anchors on concrete edges. PVC profile to be installed during the fabrication of poured-in-place shaped channel, does not require the use of other fasteners.
- Weldable PVC profile 25x20x3 in 3m bars.



CODE	DESCRIPTION
808800030	PVC profile overflow 25 x 20 x 3
808800032	PVC profile 25 x 20 x 3 to be installed during fabrication of poured-in-place channel

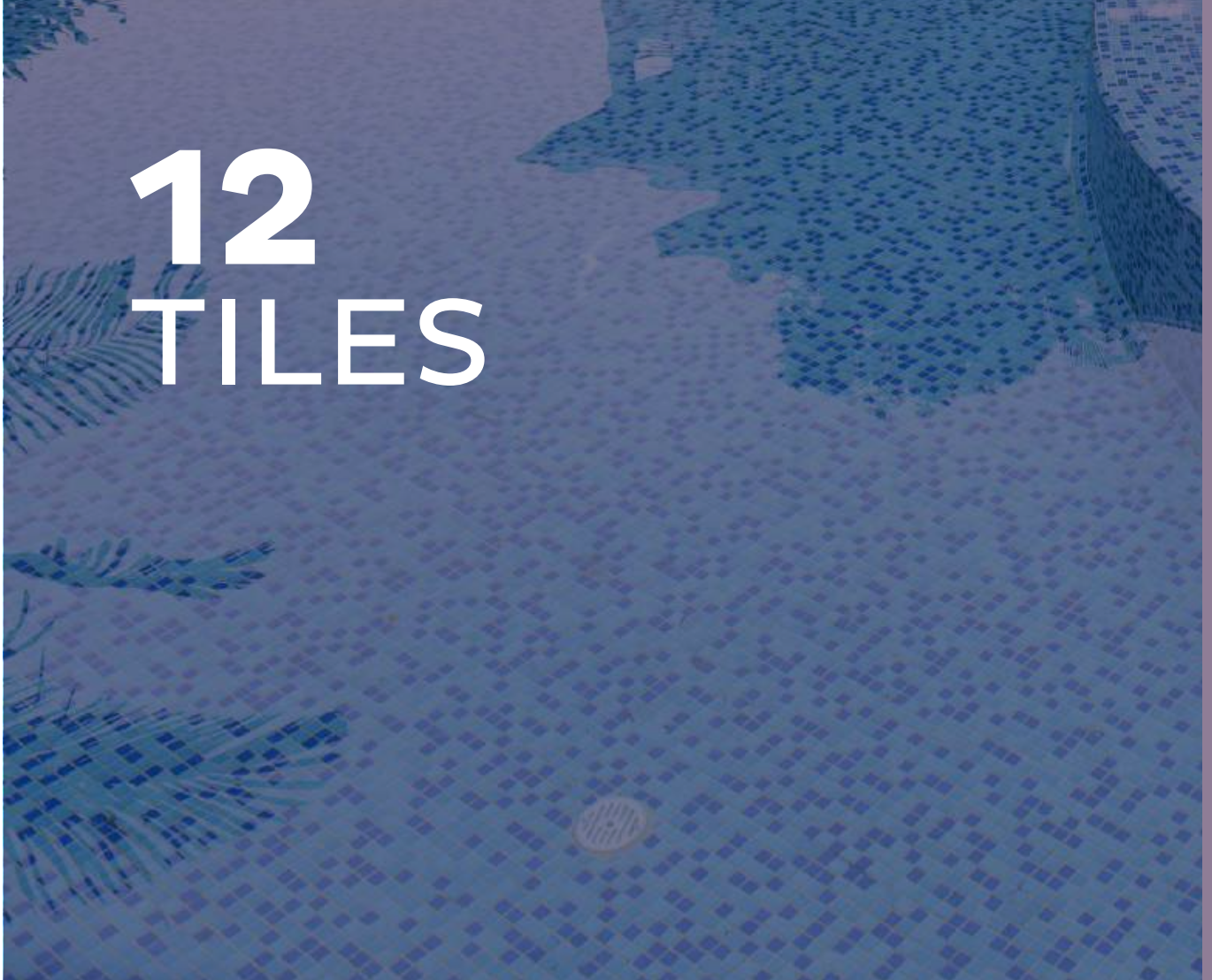
- L-shaped PVC profile for prefabricated or concrete overflow channel lining and for overflow edge grid housing.
- To be fastened to the pool edge with rivets in the prefabricated version; fasten with expansion bolts or anchors on concrete edges. PVC profile to be installed during the fabrication of poured-in-place shaped channel, does not require the use of other fasteners.
- Weldable PVC profile 25x20x3 in 3m bars.



CODE	DESCRIPTION
808800149	Internal PVC profile for overflow
808800148	External PVC profile for overflow



12 TILES

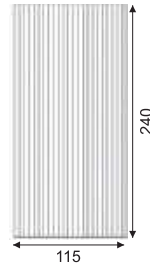


INDEX

01	POOL TILES	418
02	ANTISLIP EDGE POOL TILES	418
03	HANDLE POOL TILES	419
04	SHAPE CHANNELS POOL TILES	419
05	CERAMIC MOSAIC SOLID COLORS SERIES	421
06	CERAMIC MOSAIC KLIN SERIES SIZE	422
07	CERAMIC MOSAIC CRACK SERIES	424
08	MOSAIC CORNER SERIES	425
09	MOSIAC BORDER SERIES	425
10	MOSAIC DRAWINGS	426
11	GLASS MOSAIC PS SERIES	428
12	GLASS MOSAIC POOL SELECTION 2	430
13	GLASS MOSAIC LUMINIS SERIES	432
14	GLASS MOSAIC SAPORI SERIES	435
15	GLASS MOSAIC DEGRADADO SERIES	436
16	GLASS MOSAIC DESIGN STANDARD	438
17	GLASS MOSAIC CENEFAS STANDARD	440

01 POOL TILES

- Water absorption between 1% - 3%
- Braking strength 60mpa
- Dimension tolerance 1.2%
- Thermal shock resistance: resistance
- Chemical resistance: resistance
- The largest demanded tiles used in the pool walls and bottoms

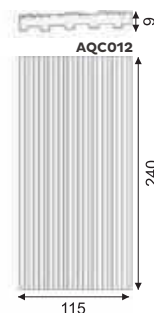
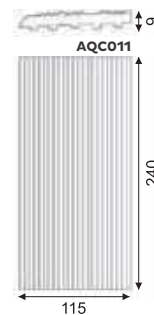


CODE	SIZE	PACKING	WEIGHT	VOLUME
			kg	m ³
AQ1951	240 x 115 mm	36	18.5	0.01
AQ1335	240 x 115 mm	36	18.5	0.01
AQ1301	240 x 115 mm	36	18.5	0.01
AQ134	240 x 115 mm	36	18.5	0.01
S1951	240 x 115 mm	36	20	0.01
S1335	240 x 115 mm	36	20	0.01
S1301	240 x 115 mm	36	20	0.01
S134	240 x 115 mm	36	20	0.01



02 ANTISLIP EDGE POOL TILES

Used in the surrounding area beside the pools where require anti slip



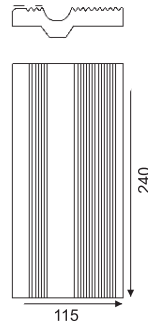
CODE	SIZE	PACKING	WEIGHT	VOLUME
			kg	m ³
AQC011	240 x 115 mm	36	18	0.01
AQC012	240 x 115 mm	36	18	0.01
AQC013	240 x 115 mm	36	18	0.01
AQC014	240 x 115 mm	36	18	0.01
AQC015	240 x 115 mm	36	18	0.01
AQC016	240 x 115 mm	36	18	0.01
AQC017	240 x 115 mm	36	18	0.01
AQC018	240 x 115 mm	36	18	0.01



03 HANDLE POOL TILES

Used in the pool edge, swimmers can easily grip it and take a rest

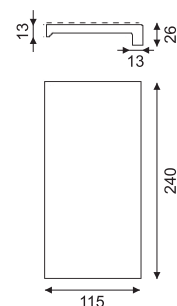
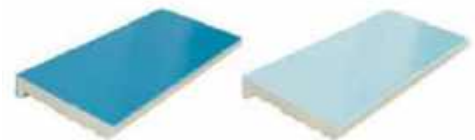
CODE	SIZE	PACKING	WEIGHT	VOLUME
			kg	m ³
AQC3A-1	240 x 115 mm	16	17	0.011
AQC3AW	240 x 115 mm	16	17	0.011
AQC3A	240 x 115 mm	16	17	0.011
AQC3-1	240 x 115 mm	16	17	0.011
AQC3EW	240 x 115 mm	16	17	0.011
AQC4	240 x 115 mm	16	17	0.011
AQ16	240 x 115 mm	28	14.5	0.011
AQ15	240 x 115 mm	32	14.5	0.011

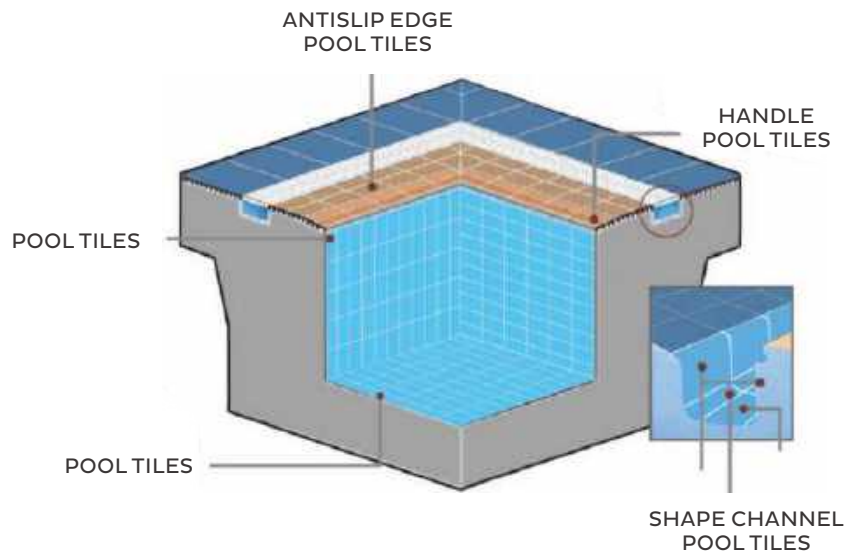
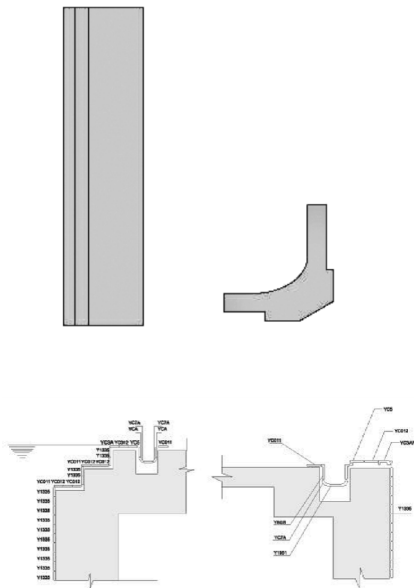
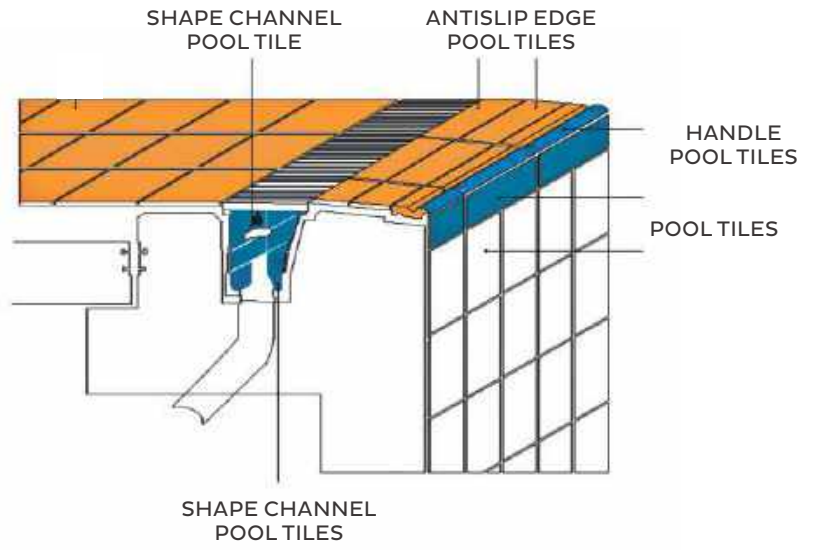
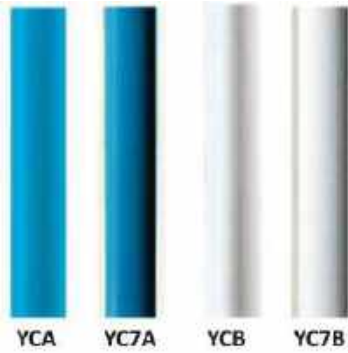


04 SHAPE CHANNELS POOL TILES

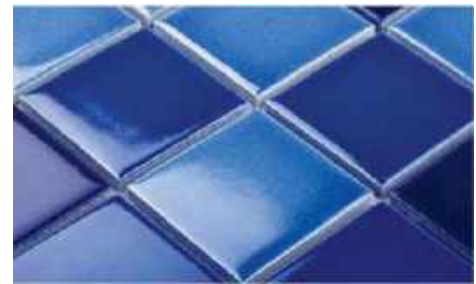
- Water absorption between 1% - 3%
- Braking strength 60mpa
- Dimension tolerance 1.2%
- Thermal shock resistance: resistance
- Chemical resistance: resistance
- Used in the gutter walls or swimming pool corner

CODE	SIZE	PACKING	WEIGHT	VOLUME
			kg	m ³
AQ6GA	240 x 115 mm	16	17	0.011
AQ6GB	240 x 115 mm	16	17	0.011
AQCA	240 x 40 mm	60	14	
AQC7A	240 x 60 mm	45	14	
AQCB	240 x 60 mm	45	14	
AQC7B	240 x 60 mm	45	14	



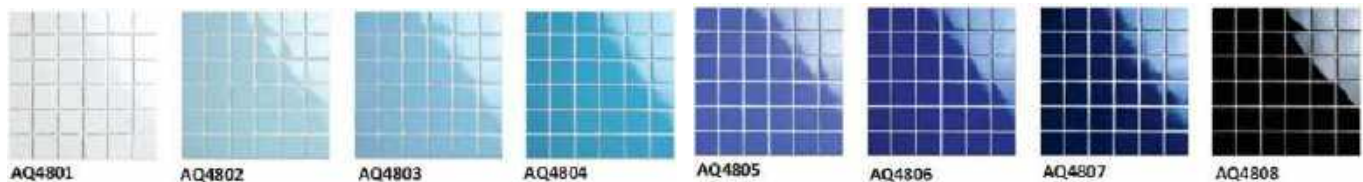
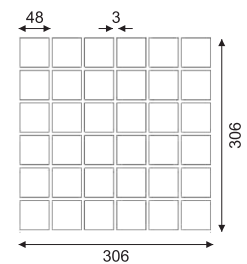


05 CERAMIC MOSAIC SOLID COLORS SERIES

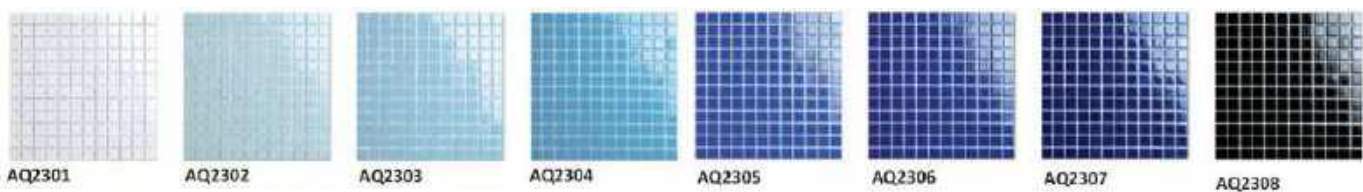
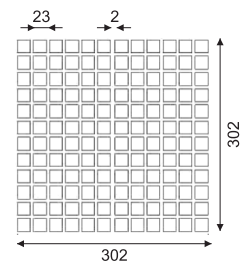


- Water absorption less than 0.3%
- Braking strength 60mpa
- Dimension tolerance 1.2%
- Thermal shack resistance: resistance
- Chemical resistance: resistance

- Chip size 48 x 48mm
- Sheet size 306 x 306mm



- Chip size 23 x 23mm
- Sheet size 302 x 302mm



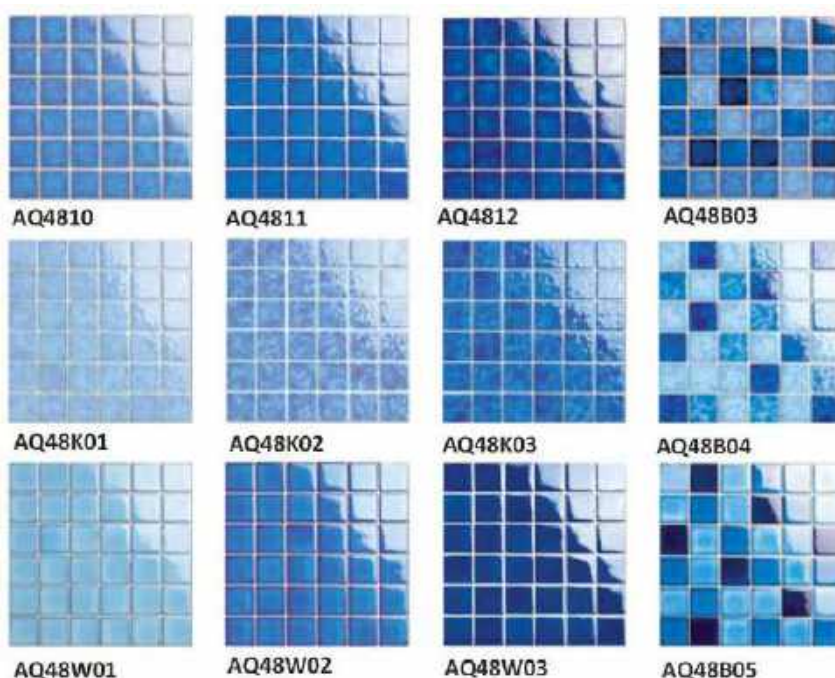
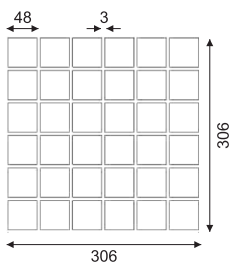
CODE		PACKING	WEIGHT	VOLUME
			kg	m ³
AQ4801	AQ2301	22	23	0.014
AQ4802	AQ2302	22	23	0.014
AQ4803	AQ2303	22	23	0.014
AQ4804	AQ2304	22	23	0.014
AQ4805	AQ2305	22	23	0.014
AQ4806	AQ2306	22	23	0.014
AQ4807	AQ2307	22	23	0.014
AQ4808	AQ2308	22	23	0.014

06 CERAMIC MOSAIC KILN SERIES SIZE

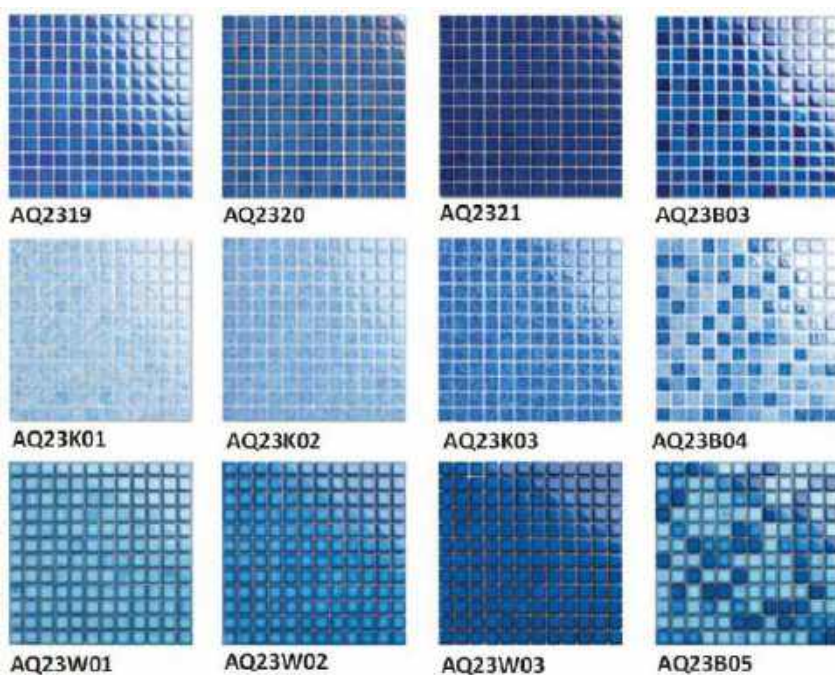
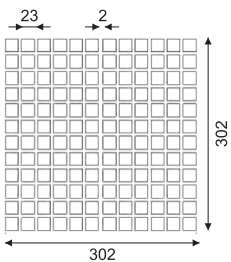
- Water absorption less than 0.3%
- Braking strength 60mpa
- Dimension tolerance 1.2%
- Thermal shack resistance: resistance
- Chemical resistance: resistance



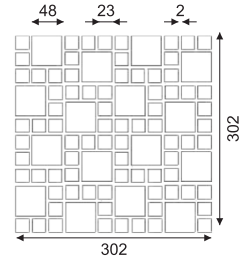
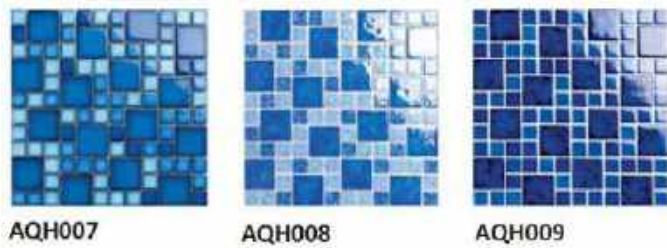
- Chip size 48 x 48mm
- Sheet size 306 x 306mm



- Chip size 23 x 23mm
- Sheet size 302 x 302mm



- Chip size 23 x 23 & 48 x 48mm
- Sheet size 302 x 302mm

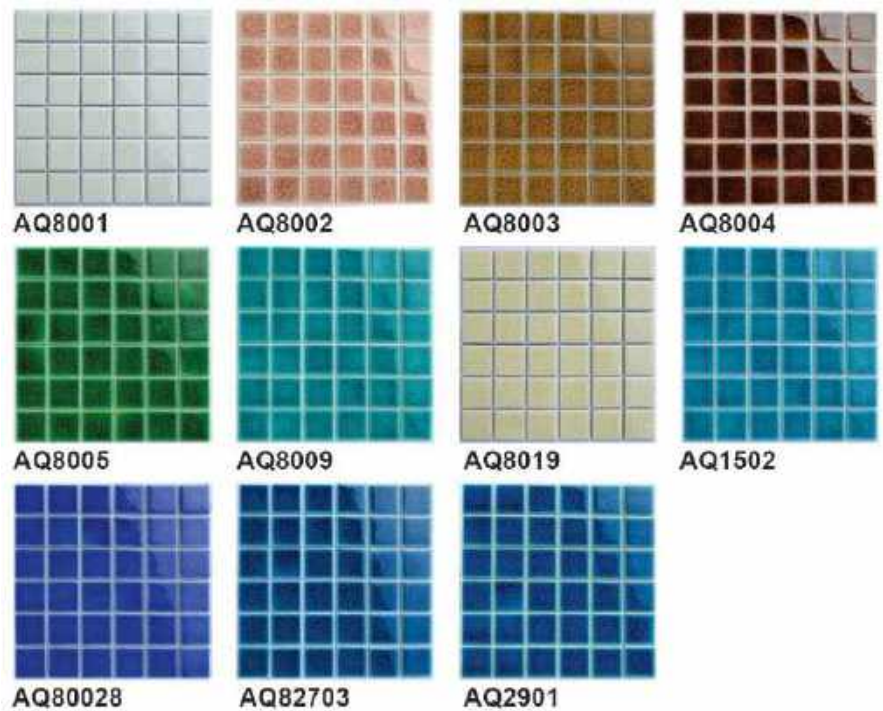
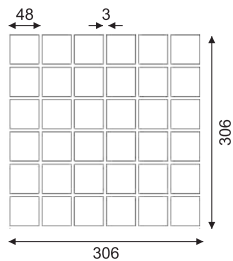


CODE	PACKING	WEIGHT	VOLUME
		kg	m ³
AQ4810	22	23	0.014
AQ4811	22	23	0.014
AQ4812	22	23	0.014
AQ48B03	22	23	0.014
AQ48K01	22	23	0.014
AQ48K02	22	23	0.014
AQ48K03	22	23	0.014
AQ48B04	22	23	0.014
AQ48W01	22	23	0.014
AQ48W02	22	23	0.014
AQ48W03	22	23	0.014
AQ48B05	22	23	0.014
AQ2319	22	23	0.014
AQ2320	22	23	0.014
AQ2321	22	23	0.014
AQ23B03	22	23	0.014
AQ23K01	22	23	0.014
AQ23K02	22	23	0.014
AQ23K03	22	23	0.014
AQ23B04	22	23	0.014
AQ23W01	22	23	0.014
AQ23W02	22	23	0.014
AQ23W03	22	23	0.014
AQ23B05	22	23	0.014
AQH007	22	23	0.014
AQH008	22	23	0.014
AQH009	22	23	0.014

07 CERAMIC MOSAIC CRACK SERIES

- Water absorption less than 0.3%
- Braking strength 60mpa
- Dimension tolerance 1.2%
- Thermal shock resistance: resistance
- Chemical resistance: resistance

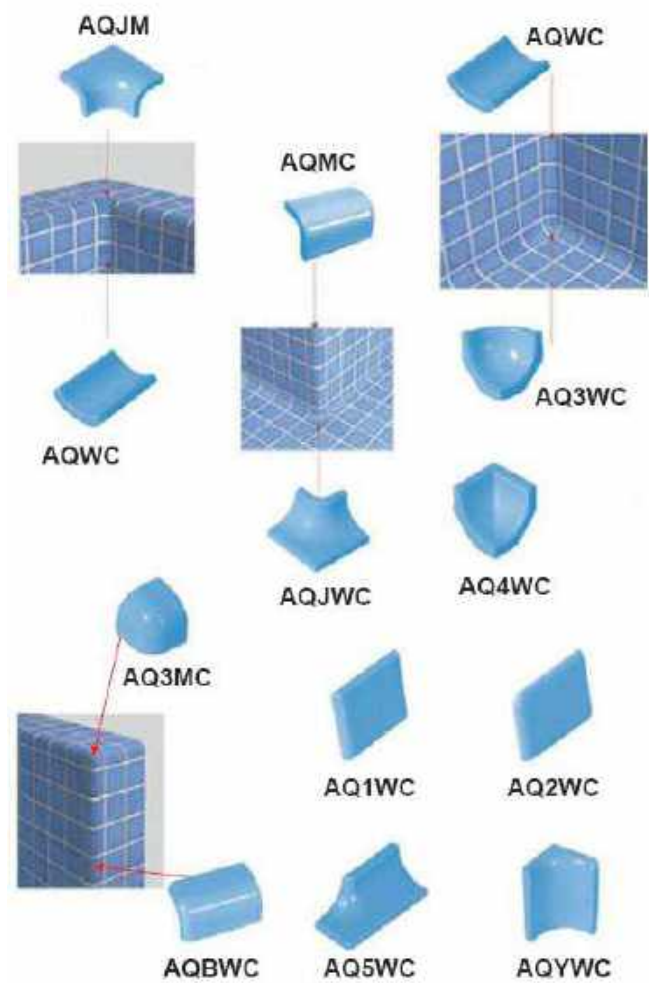
- Chip size 48 x 48mm
- Sheet size 306 x 306mm



CODE	PACKING	WEIGHT	VOLUME
		kg	m ³
AQ8001	22	25.5	0.014
AQ8002	22	25.5	0.014
AQ8003	22	25.5	0.014
AQ8004	22	25.5	0.014
AQ8005	22	25.5	0.014
AQ8009	22	25.5	0.014
AQ8019	22	25.5	0.014
AQ81502	22	25.5	0.014
AQ80028	22	25.5	0.014
AQ82703	22	25.5	0.014
AQ82901	22	25.5	0.014

08 MOSAIC CORNER SERIES

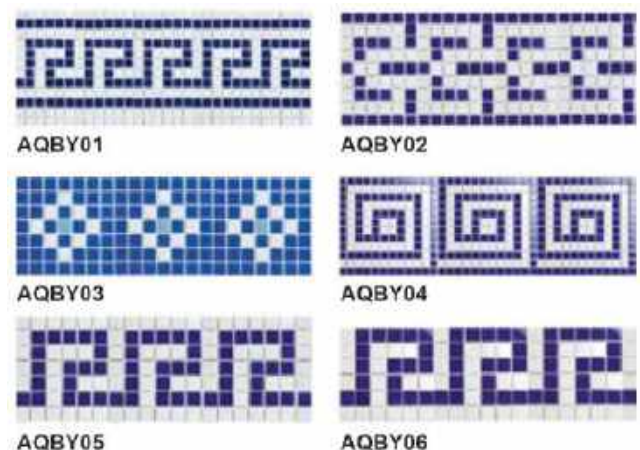
CODE	PACKING	WEIGHT	VOLUME
		kg	m ³
AQJMC			
AQMC	600	21	0.15
AQWC	600	21	0.15
AQ3WC			
AQ4WC			
AQJWC			
AQ3MC			
AQ1WC			
AQ2WC			
AQBWC	600	21	0.15
AQ5WC			
AQYWC			



09 MOSAIC BORDER SERIES

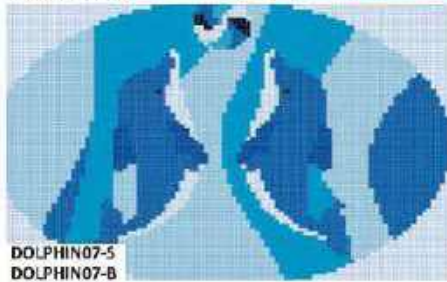
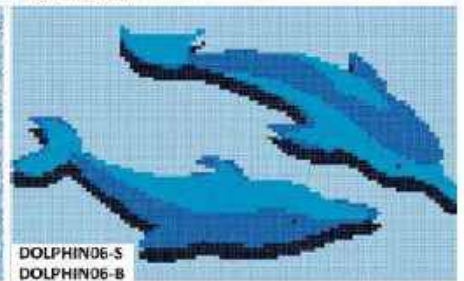
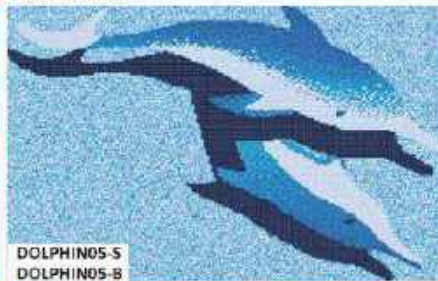
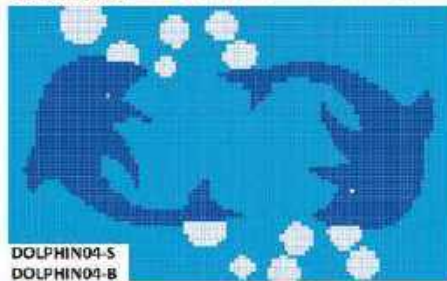
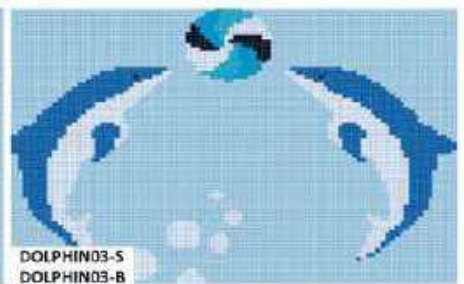
- Water absorption less than 0.3%
- Braking strength 60mpa
- Dimension tolerance 1.2%
- Thermal shack resistance: resistance
- Chemical resistance: resistance

CODE	PACKING	WEIGHT	VOLUME
		kg	m ³
AQBY01	20	21	0.014
AQBY02	20	17	0.009
AQBY03	20	12	0.007
AQBY04	20	21	0.014
AQBY05	20	12	0.007
AQBY06	20	21	0.014



10 MOSAIC DRAWING

- Water absorption less than 0.3%
- Braking strength 60mpa
- Dimension tolerance 1.2%
- Thermal shack resistance: resistance
- Chemical resistance: resistance
- Sizes available:
 - S for 2.7 x 1.8m
 - B for 3.6 x 2.7m



CODE	SIZE	PACKING	WEIGHT	VOLUME
			kg	m ³
DOLPHIN01-S	2.7 x 1.8 m	20	21	0.014
DOLPHIN01-B	3.6 x 2.7 m	20	21	0.014
DOLPHIN02-S	2.7 x 1.8 m	20	21	0.014
DOLPHIN02-B	3.6 x 2.7 m	20	21	0.014
DOLPHIN03-S	2.7 x 1.8 m	20	21	0.014
DOLPHIN03-B	3.6 x 2.7 m	20	21	0.014
DOLPHIN04-S	2.7 x 1.8 m	20	21	0.014
DOLPHIN04-B	3.6 x 2.7 m	20	21	0.014
DOLPHIN05-S	2.7 x 1.8 m	20	21	0.014
DOLPHIN05-B	3.6 x 2.7 m	20	21	0.014
DOLPHIN06-S	2.7 x 1.8 m	20	21	0.014
DOLPHIN06-B	3.6 x 2.7 m	20	21	0.014
DOLPHIN07-S	2.7 x 1.8 m	20	21	0.014
DOLPHIN07-B	3.6 x 2.7 m	20	21	0.014
DOLPHIN08-S	2.7 x 1.8 m	20	21	0.014
DOLPHIN08-B	3.6 x 2.7 m	20	21	0.014

MOSAIC INSTALLATION

1. CHECKING THE MATERIAL

Before starting work, be careful to check the boxes containing the sheets of YINGFEI mosaic and ensure that there is sufficient material to complete the job. Every box indicates the item number, shade number, production batch number, and other details.

2. SKIMMING

This is a step that serves to render the substrate selected for tiling perfectly smooth, uniform and white (a substrate showing differences in color will spoil the appearance of the finished mosaic).

3. STARTING LINES

Draw lines on the surface of the substrate to aid correct positioning of the sheets. Lay three sheets out the floor side, so that the gap between the sheets is the same as the gap between the single tessera, and measure the overall width. Transfer this measurement both horizontally and vertically to the surface being covered and, using a straightedge and a spirit level, mark out a grid, and area will now be divided into a number of squares, each corresponding to nine sheets of mosaic.

4. PREPARING THE ADHESIVE

Prepare the adhesive, and spread over an area no larger than will be occupied by the first nine sheets, using the trowel. First apply a thick coat with the smooth edge of the tool, drawing the teeth across evenly and “combing” the adhesive to produce a uniformly ridged bed. The sheets can now be positioned.

5. LAYING AND FIXING

The sheets are back-mounted to a mesh that should be directly applied to the bed of adhesive. On walls, the thicker strands of mesh should be positioned vertically. Please note: the gap separating adjacent sheets must be the same as the gap between single tessera.

6. A FIRM BOND

With the sheets in place, tap the tessera home with a float so that the mesh beds firmly into the adhesive.

7. A PERFECT END RESULT

With all the sheets laid or fixed, and before the adhesive begins to set, the distance between tessera can be adjusted to ensure that all gaps are of uniform width. This is done by cutting through the mesh along the gap with a knife and edging the adjoining tessera marginally closer together or farther apart with the aid of a trowel. This is a step of the mosaic tiling procedure that calls for patience. But one that also adds considerable value to the finished job.

8. GROUTING

Make sure to use all of the grout. Using the small trowel, scoop the grout, a little at a time. Onto the float and begin applying to the mosaic. Move the tool diagonally across the tessera, first from the bottom up and then squeegee downwards in the opposite direction, making certain that all of the joints are completely filled and that no excess remains.

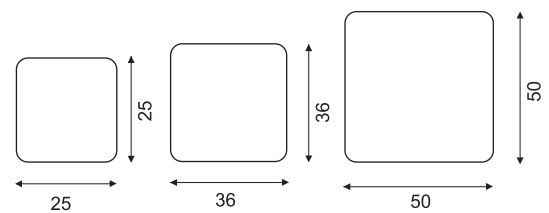
9. CLEANING

Before the grout hardens, begins cleaning off the surface. Prepare two buckets of this solution: immerse the pad in the first, and without wringing, swab the surface of the mosaic repeatedly with a circular motion. Next, immerse the sponge in the second bucket and wipe down with the sponge, this time using clean water to remove any smears, leaving the mosaic sparkling clean.

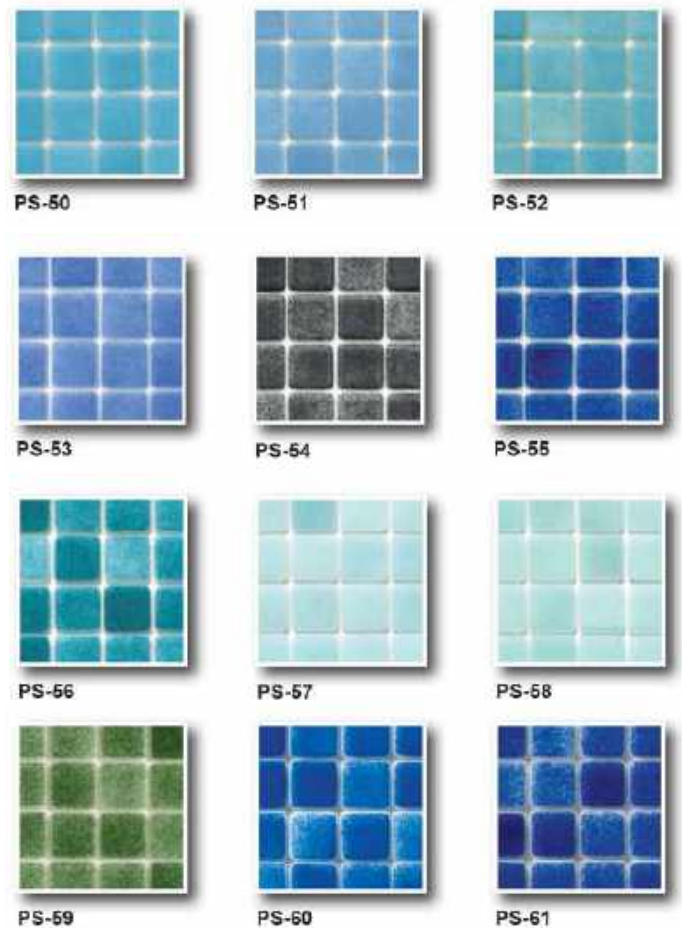
11 GLASS MOSAIC PS SERIES



- Water absorption less than 0.3%
- Braking strength 60mpa
- Dimension tolerance 1.2%
- Thermal shock resistance: resistance
- Chemical resistance: resistance



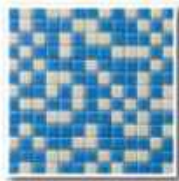
CODE	PACKING	WEIGHT	VOLUME
		kg	m ³
PS-21	18	9.5	
PS-22	18	9.5	
PS-23	18	9.5	
PS-24	18	9.5	
PS-25	18	9.5	
PS-26	18	9.5	
PS-27	18	9.5	
PS-62	18	9.5	
PS-50	18	9.5	
PS-51	18	9.5	
PS-52	18	9.5	
PS-53	18	9.5	
PS-54	18	9.5	
PS-55	18	9.5	
PS-56	18	9.5	
PS-57	18	9.5	
PS-58	18	9.5	
PS-59	18	9.5	
PS-60	18	9.5	
PS-61	18	9.5	



GLASS MOSAIC PS MEZCLA



TANGANIKA
PS-55(50%)
PS-50(50%)



VICTORIA
PS-23(70%)
PS-25(30%)



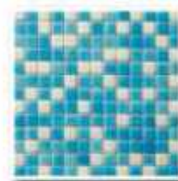
CASPIO
DK-84(70%)
PS-58(30%)



BAIKAL
PS-23(50%)
PS-24(50%)



ARAL
PS-56(25%)
PS-57(75%)



WINNIPEG
PS-50(70%)
PS-25(30%)



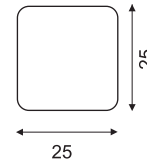
LADOGA
PS-57(50%)
PS-58(50%)



LEMAN
DK-87(30%)
DK-80(70%)



AQUAGET
PS-50(35%)/PS-53(35%)
PS-55(30%)



CODE	PACKING	WEIGHT	VOLUME
		kg	m ³
TANGANIKA	18	9.5	
VICTORIA	18	9.5	
ARAL	18	9.5	
WINNIPEG	18	9.5	
CASPIO	18	9.5	
BAIKAL	18	9.5	
LADOGA	18	9.5	
LEMAN	18	9.5	
AQUAGET	18	9.5	

GLASS MOSAIC PS IRIS



PS-50 IRIS



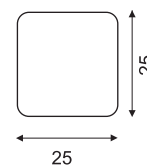
PS-53 IRIS



PS-55 IRIS

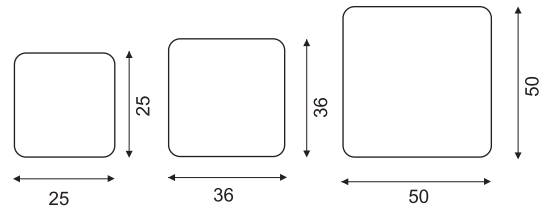


PS-60 IRIS



CODE	PACKING	WEIGHT	VOLUME
		kg	m ³
PS-50IRIS	18	9.5	
PS-53IRIS	18	9.5	
PS-55IRIS	18	9.5	
PS-60IRIS	18	9.5	

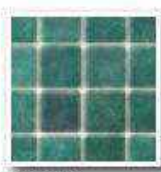
12 GLASS MOSAIC POOL SELECTION 2



GIAVA



TAHITI



COCOS



GRIS



PLUTON



SAMOA



DK-84



DK-72



DK-74



DK-70



DK-75



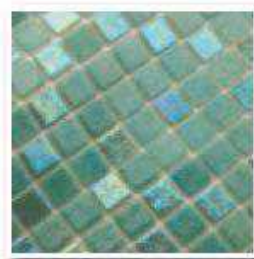
DK-87



SENA



TAMESIS



INDO



TIGRIS



NILO



DANUBIO



TIBER



VOLGA



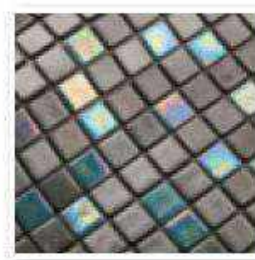
ORINOCO



EBRO



MURRAY



LENA

Chip size 25 x 25mm,36 x 36 mm& 50 x 50mm

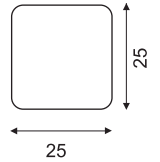
CODE	PACKING	WEIGHT	VOLUME
		kg	m ³
GIAVA	18	9.5	
TAHITI	18	9.5	
COCOS	18	9.5	
GRIS	18	9.5	
PLUTON	18	9.5	
SAMOA	18	9.5	
DK-84	18	9.5	
DK-72	18	9.5	
DK-74	18	9.5	
DK-70	18	9.5	
DK-75	18	9.5	
DK-87	18	9.5	
SENA	18	9.5	
TAMESIS	18	9.5	
INDO	18	9.5	
TIGRIS	18	9.5	
NILO	18	9.5	
DANUBIO	18	9.5	
TIBER	18	9.5	
VOLGA	18	9.5	
ORINOCO	18	9.5	
EBRO	18	9.5	
MURRAY	18	9.5	
LENA	18	9.5	



13 GLASS MOSAIC LUMINIS SERIES



Chip size 25 x 25mm



LU-01 POLAR IRIS



LU-02 IZAR IRIS



LU-03 SIRIO IRIS



LU-04 VEGA IRIS



LU-01 POLAR IRIS



LU-02 IZAR IRIS



LU-03 SIRIO IRIS



LU-04 VEGA IRIS



LU-11 POLAR



LU-12 IZAR



LU-13 SIRIO



LU-14 VEGA



LU-15 ANTARES



LU-11 POLAR



LU-12 IZAR



LU-13 SIRIO



LU-14 VEGA



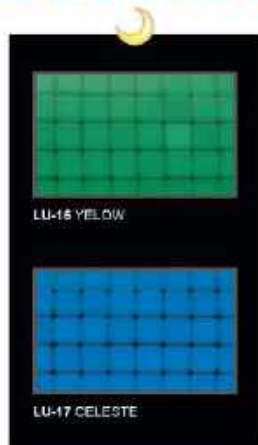
LU-15 ANTARES



LU-16 YELLOW



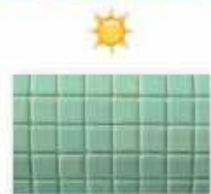
LU-17 CELESTE



LU-16 YELLOW



LU-17 CELESTE



LU-18 TURCHISE



LU-19 BLUE



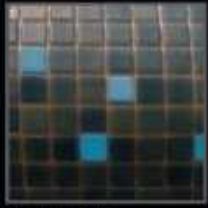
LU-18 TURCHISE



LU-19 BLUE



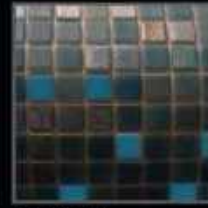
LU-31 ARRAKIS (day view)



LU-31 ARRAKIS (night view)



LU-32 BETRIA (day view)



LU-32 BETRIA (night view)



LU-33 CASTOR (day view)



LU-33 CASTOR (night view)



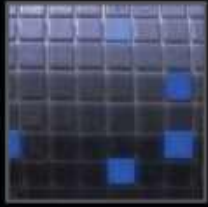
LU-34 ELECTRA (day view)



LU-34 ELECTRA (night view)



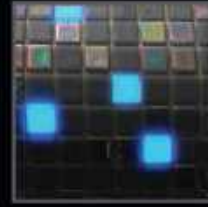
LU-35 GATRIA (day view)



LU-35 GATRIA (night view)



LU-36 KLIMA (day view)



LU-36 KLIMA (night view)



LU-37 LUCIDA (day view)



LU-37 LUCIDA (night view)



LU-38 MERAK (day view)



LU-38 MERAK (night view)



LU-39 NAOS (day view)



LU-39 NAOS (night view)



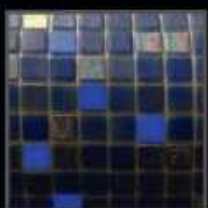
LU-40 REGULUS (day view)



LU-40 REGULUS (night view)



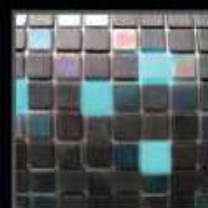
LU-41 SEAT (day view)



LU-41 SEAT (night view)



LU-42 TABIT (day view)



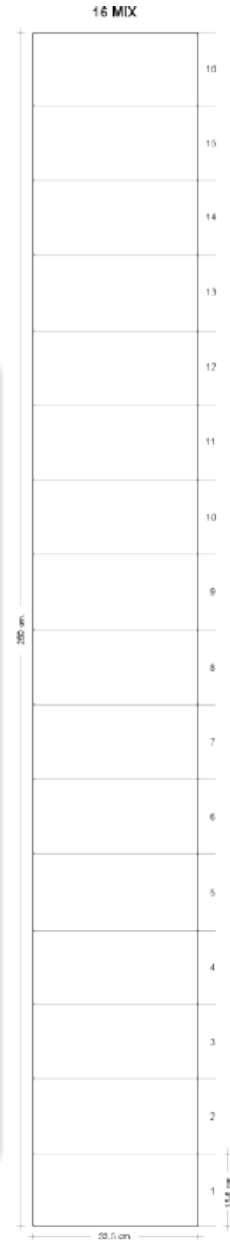
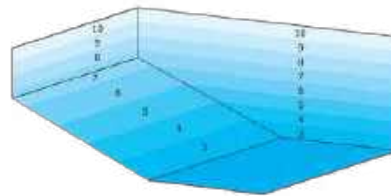
LU-42 TABIT (night view)

CODE	PACKING	WEIGHT	VOLUME
		kg	m ³
LU-01 POLAR IRIS	18	9.5	
LU-02 IZAR IRIS	18	9.5	
LU-03 SIRIO IRIS	18	9.5	
LU-04 VEGA IRIS	18	9.5	
LU-11 POLAR	18	9.5	
LU-12 IZAR	18	9.5	
LU-13 SIRIO	18	9.5	
LU-14 VEGA	18	9.5	
LU-15 ANTARES	18	9.5	
LU-06 YELLOW	18	9.5	
LU-17 CELESTE	18	9.5	
LU-18 TURCHESE	18	9.5	
LU-19 BLUE	18	9.5	
LU-31 ARRAKIS (INCL.5% CELESTE)	18	9.5	
LU-32 BETRIA (INCL.5% CELESTE)	18	9.5	
LU-33 CASTOR (INCL.5% SIRIO)	18	9.5	
LU-34 ELECTRA (INCL.5% POLAR)	18	9.5	
LU-35 GATRIA (INCL.5% ANTARES)	18	9.5	
LU-36 KUMA (INCL.5% ANTARES)	18	9.5	
LU-37 LUCIDA (INCL.5% TURCHESE)	18	9.5	
LU-38 MERAK (INCL.5% IZAR)	18	9.5	
LU-39 NAOS (INCL.5% VEGA)	18	9.5	
LU-40 REGULUS (INCL.5% VEGA)	18	9.5	
LU-41 SEAT (INCL.5% VEGA)	18	9.5	
LU-42 TABIT (INCL.5% TURCHESE)	18	9.5	



14 GLASS MOSAIC SAPORI SERIES

We simulate in the sketch a correct disposal of a shade blend in a pool, with a sloped bottom, for the calculation of each blend.
 Pay special attention to the calculation corresponding to sloped areas.
 A previous layout is recommended before the installation process an optimum result.



MENTA CL-127 / CL-171 / CL-1716 / CL-1502
TUTTI FRUTTI CL-171 / CL-131 / CL-146 / CL-165 / MARTINICA
BANANA RS-56 / DK-69 / DK-84 / DK-47 / DK-75
MANGO CL-132 / CL-191 / CL-1515 / CL-1502
CHOCOLATE CL-187 / CL-1901 / CL-133 / CL-140
TIRAMISU CL-100 / MARTINICA / CL-110 / MARRONIA / RS-25
COCONUT RS-54 / DK-72 / DK-71 / DOUNTY / CL-1902
MOKA RS-54 / DK-72 / DK-71 / CL-1502

CODE	PACKING	WEIGHT	VOLUME
		kg	m ³
MENTA			
TUTTI FRUIT			
BANANA			
MANGO			
CHOCOLATE			
TIRAMISU			
COCONUT			
MOKA			

15 GLASS MOSAIC DEGRADADO SERIES

Shaded blends in mosaic are optical effects as result of a tidy sequence of different blends.

The height of each blend corresponds to 13 tiles of 2.5 x 2.5 cm.(33.5 cm).

8 Pan shade blend is composed of 8 blends with a total development of 268 cm. A part of the shaded blend can be requested.



AZUL 1
PS-31
CL-171 / PS-25



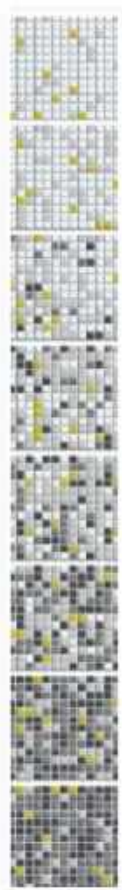
AZUL 2
CL-171
PS-29 / PS-25



AZUL 3
PS-55
PS-55 / PS-25



ROJO
CL-190 / CL-142
PS-25 / MARTINICA

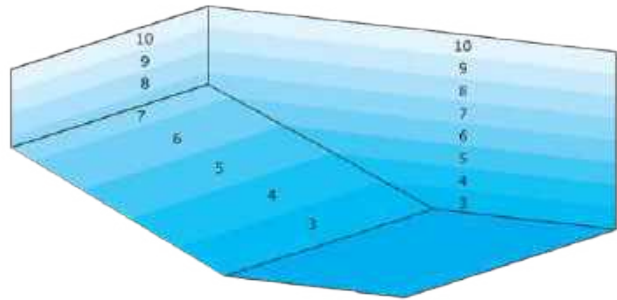


GRIS
PS-54 / DK-72
PS-25 / BOUNTY



VERDE
CL-132
CL-151 / PS-25





CODE	PACKING	WEIGHT	VOLUME
		kg	m ³
AZUL 1			
AZUL 2			
AZUL 3			
ROJO			
GRIS			
VERDE			

16 GLASS MOSAIC DESIGN STANDARD



DELFIN N°2
156 x 195 cm.



DELFINES CRUZADOS
340 X 260 cm.



DELFINES EN CIRCULO
190 x 215 cm.



DELFIN N°3
208 x 120 cm.



TRÍO DE DELFINES
350 x 170 cm.



DELFIN N°1
154 x 169 cm.



TROPICAL
167 x 215 cm.



TIBURÓN
115 x 223 cm.



FOCA N°1
167 X 200 cm.



FOCA N°2 200 x 200 cm.



ANCLA N°2 68 x 68 cm.



SALVAVIDAS 68 x 68 cm.



TIMÓN 68 x 68 cm.



ROSA DE LOS VIENTOS N°1
Ø 200 cm.



ROSA DE LOS VIENTOS N°2
Ø 241 cm.



ROSA DE LOS VIENTOS N°3
Ø 205 cm.



ANCLA
128 x 164 cm.



ESTRELLA DE MAR
200 x 200 cm.



CABALLITO DE MAR
59 x 154 cm.

CODE	PACKING	WEIGHT	VOLUME
		kg	m ³
DELFIN N2			
DELFINES CRUZADOS			
DELFINES CIRCULO			
DELFIN N3			
TRIO DELFINES			
DELFIN N1			
TROPICAL			
TIBURON			
FOCA N1			
FOCA N2			
ANCLA N2			
SALVAVIDAS			
TIMON			
ROSA VIENTOS N1			
ROSA VIENTOS N2			
ROSA VIENTOS N3			
ANCLA			
ESTRELLA			
CABALLITO			

17 GLASS MOSAIC CENEFAS STANDARD



GRECA
PS-27 / PS-26
h: 18,2 cm.



REF. 1-A
PS-27 / PS-23 / PS-25
h: 18,2 cm.



REF. 2-A
PS-27 / PS-50
h: 18,2 cm.



REF. 3-C
PS-27 / PS-26
h: 19,2 cm.



REF. 5-B
PS-27 / PS-23 / PS-25
h: 18,2 cm.



REF. 6-B
PS-27 / PS-23 / PS-26
h: 18,2 cm.



REF. 7-B
PS-27 / PS-23 / PS-25
h: 18,2 cm.



REF. 8-B
PS-27 / PS-23 / PS-26
h: 18,2 cm.



REF. 9-A
PS-27 / PS-25
h: 18,2 cm.



REF. 10-B
PS-27 / PS-23 / PS-25
h: 18,2 cm.



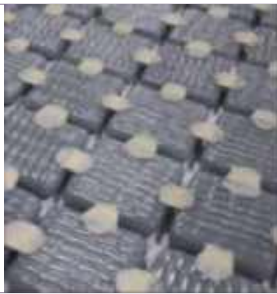

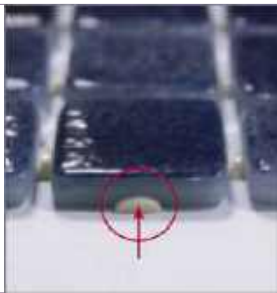
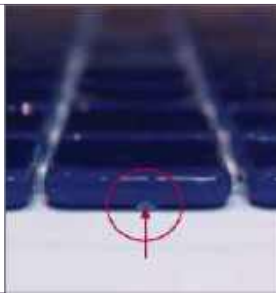
REF. 11-C
PS-27 / PS-25
h: 18,2 cm.



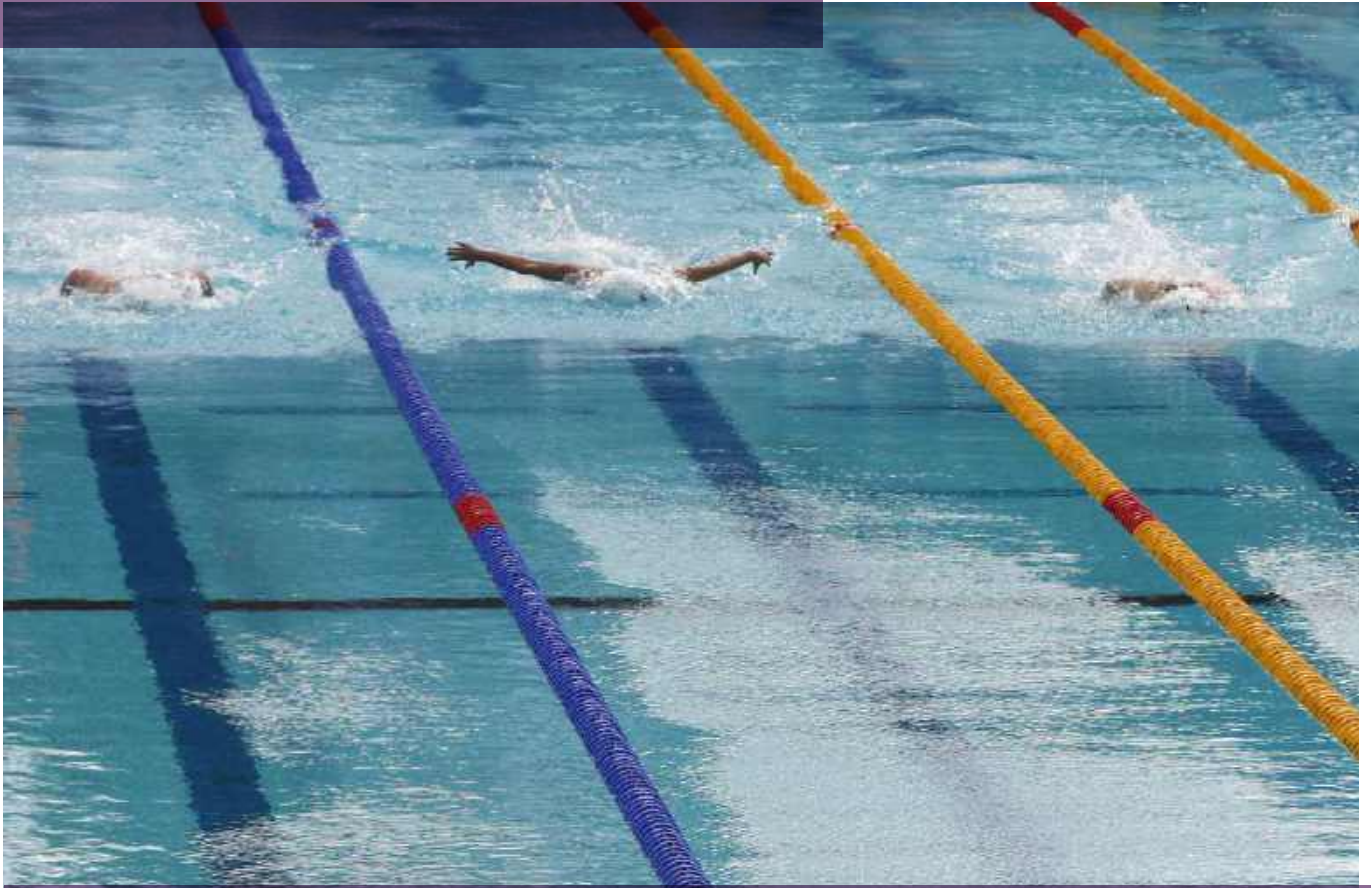
REF. 12-C
PS-27 / PS-23 / PS-26
h: 18,2 cm.

CODE	PACKING	WEIGHT	VOLUME
		kg	m ³
GRACA			
REF.1-A			
REF.2-A			
REF.3-C			
REF.5-B			
REF.6-B			
REF.7-B			
REF.8-B			
REF.9-A			
REF.10-B			
REF.11-C			
REF.12-C			

MOUNTING DETAILS

MOUNTING COMPARISON		
	PVC DOTS	CORD
FREE SURFACE		
	>80%	>85%
VERTICAL OCCUPATION		
	<25%	<2%

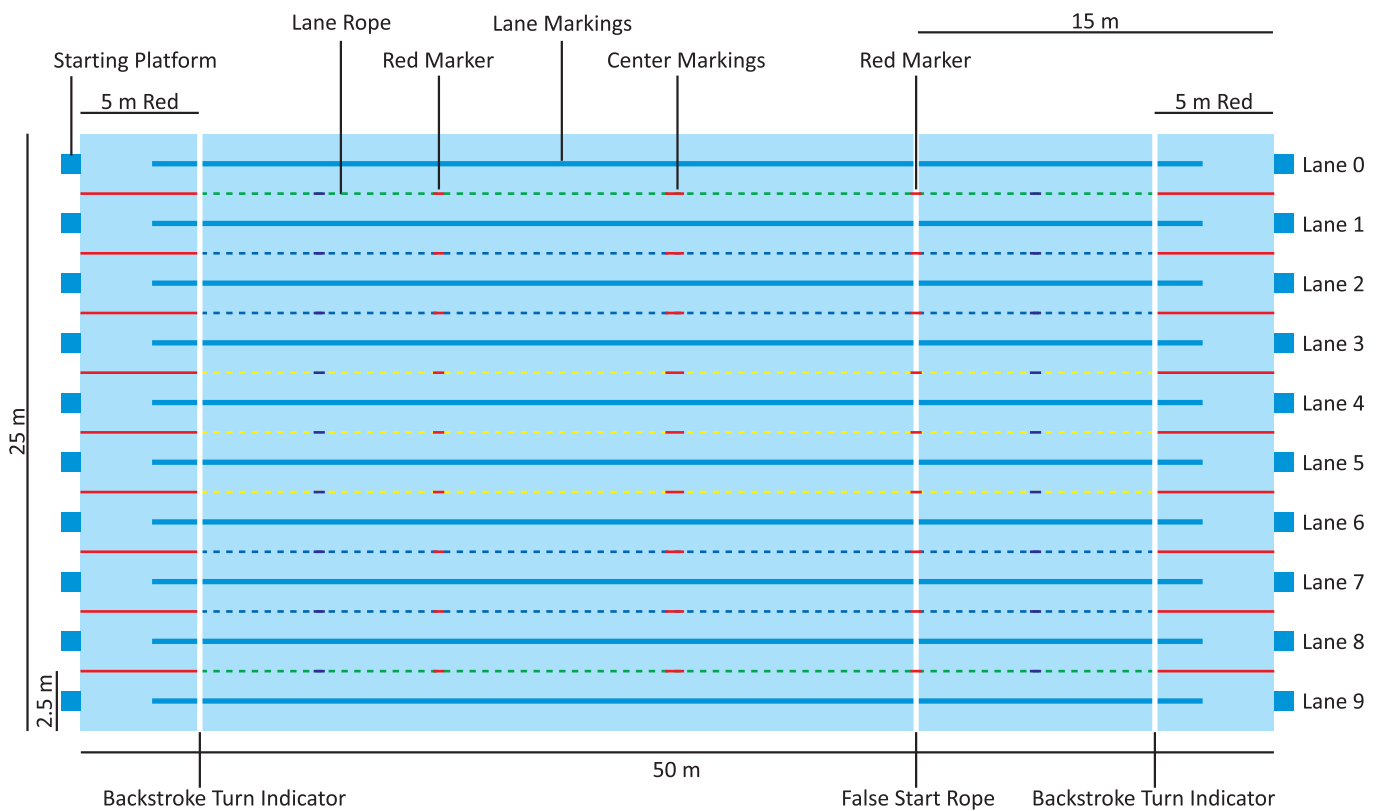
TENSILE ADHESION STRENGTH		
CONDITIONS	PVC DOTS	CORD
STANDARD	1.84 Nw/m ²	4.33 Nw/m ²
HEATING SOURCE	1.72 Nw/m ²	4.05 Nw/m ²
WATER IMMERSION	1.54 Nw/m ²	3.14 Nw/m ²



13 COMPETITION EQUIPMENT

INDEX

01	RACING LANES	444
02	LANE ACCESSORIES	445
03	STAINLESS STEEL ANCHORS	446
04	STOREEL	446
05	CADDY LANE SAVER	447
06	STORAGE BIN	447
07	STARTING BLOCK 600	448
08	SUPER STARTING BLOCK	448
09	OVERFLOW BLOCK STAND	450
10	STAINLESS STEEL STARTING BLOCK	451
11	ENDWALLS	453
12	BACKSTROKE-FALSE START SET	454
13	“NO DIVING” BLOCK CONE	455
14	PACE CLOCK	455
15	TURNWALL	456
16	MOVABLE BUKHEAD	457
17	SUBMERSIBLE SWIMWALL	457



02 LANE ACCESSORIES



- Cable: Safe durable cable in stainless steel 316 for extra strength, overall \varnothing 3.1mm and stands a force of 5kn.
- Hook with clamp.
- Super Tensioner: Made from engineering plastics with short clamp set.



CODE	DESCRIPTION	PACKING	WEIGHT	VOLUME
			kg	m ³
CE-105	S.Steel Cable (/m)	1	0.01	0.04
CE-106	S.Steel Hook with clamp	1	0.06	0.001
CE-107	Super Tensioner with Start Clamp Set	1	0.06	0.001

03 STAINLESS STEEL ANCHORS

- **LANE ANCHOR SKIMMER:** Made of Stainless steel 316, provides secure flush anchoring for lane ropes, goal lines and water polo fields. Lane anchor cover and extension are also available.
- **LANE ANCHOR OVERFLOW:** Made of Stainless steel 316, allows for the installation of lane ropes and other accessories in a wet deck overflow pool configuration.
- **DECK HOLE ANCHOR:** Made of Stainless steel, provides a flush-fitting secure anchor for removable sports equipment, poles and railings around the pool.

CE-110



CE-109

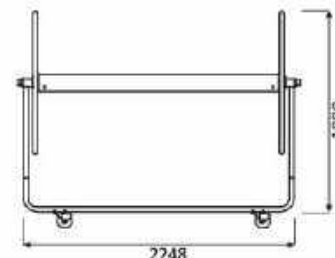


CE-109DF

CODE	DESCRIPTION	PACKING	WEIGHT	VOLUME
			kg	m ³
CE-109	Lane Anchor Skimmer	1	0.3	0.001
CE-109OF	Lane Anchor Overflow	1	1	0.001
CE-110	Deck Hole Anchor	1	0.3	0.001

04 STOREEL

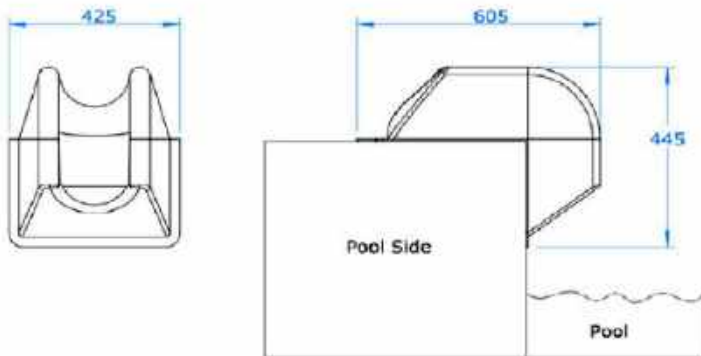
- Made from white coated aluminium with stainless steel castors.
- Highly durable, provides convenient, mobile solution for the storage of racing lanes.
- Holds up six 25 m MIDI Ø110 lanes or four 25 m Maxi Ø150 lanes.
- **SOLARGUARD COVER:** Green cover for STOREEL to protect the lanes from UV damage and allow them to breath.



CODE	DESCRIPTION	PACKING	WEIGHT	VOLUME
			kg	m ³
CE-111	Storeel	1	45	0.45
CE-112	Green Solarguard Cover for Storeel	1	2.5	0.03

05 CADDY LANE SAVER

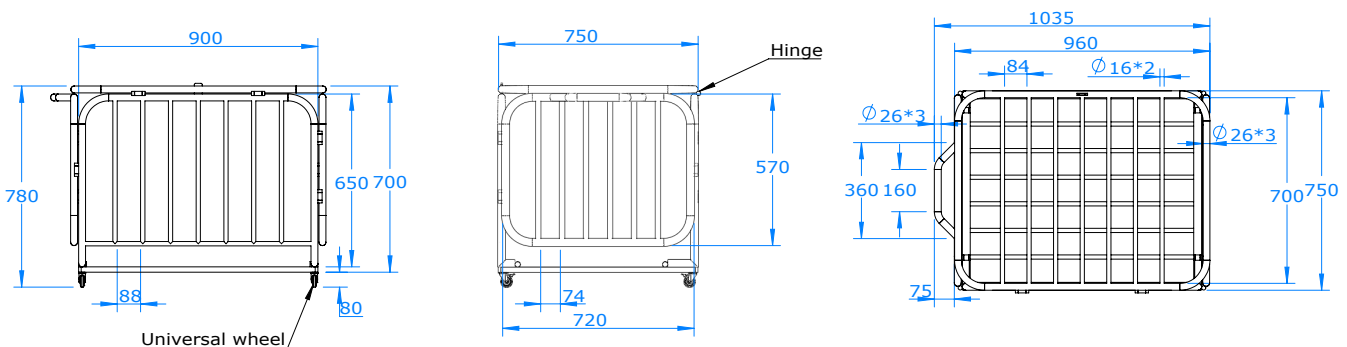
The GRP Caddy Lane Saver prevents lane damage from sharp edges during removal of lanes onto Storeel and re-installation.



CODE	PACKING	WEIGHT	VOLUME
		kg	m ³
CE-113	1	3	0.02

06 STORAGE BIN

- Provides safe and convenient access and storage for a variety of pool deck and game equipment.
- High quality aluminium construction and is easily moved around the pool deck via stainless steel castor wheels.

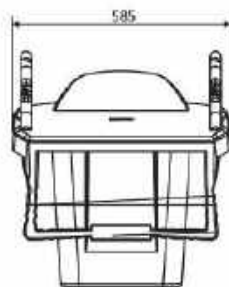


CODE	PACKING	WEIGHT	VOLUME
		kg	m ³
CE-114	1	15	0.2

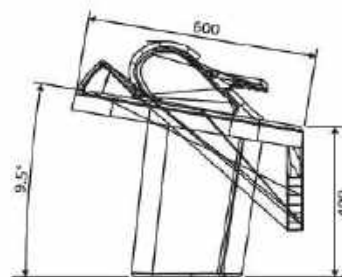
07 STARTING BLOCK 600



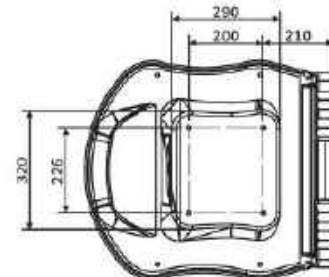
- The AQUA Block 600 is designed for the requirements of competition and training pools.
- Fibreglass construction with 316 SS fittings
- Compliant with FINA starting platform guide lines FR2.7
- Fixed Track Start and Safe Start handles for fast start times and safety
- Backstart handle is reinforced with SS316 for safety and durability
- 4 piece Anchors are included
- Top platform length is 600mm.
- Dimensions are 0.86m x 0.5m



FRONT VIEW



SIDE VIEW



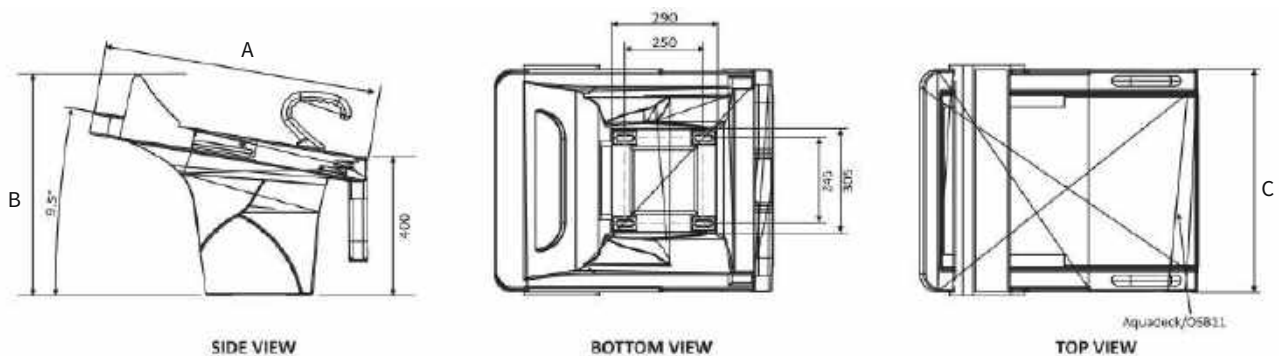
BOTTOM VIEW

CODE	PACKING	WEIGHT	VOLUME
		kg	m ³
CE-135	1	18	0.2

08 SUPER STARTING BLOCK



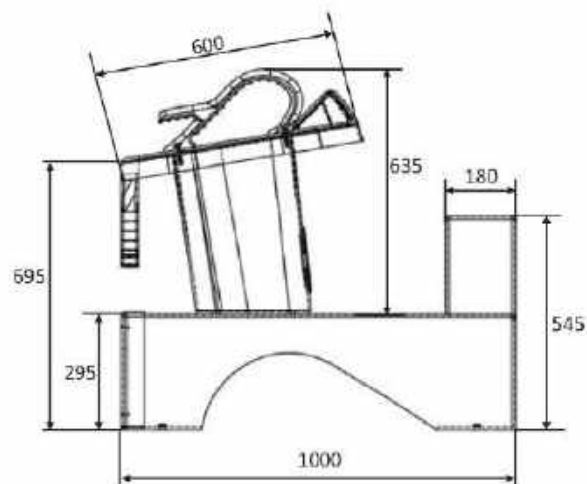
- The Super Starting Block is the premium starting block for major competitions.
- Includes the FINA Approved Moveable Track Start and Safe Start Handles
- Fibreglass construction with SS316 fittings.
- Movable Track Start (MTS) adjustable to 5 positions.
- Durable, non-slip Aquadeck® tread.
- Safe Start handles for fast starts and safety
- Backstart handles reinforced with SS316 for safety and durability.
- Compatible with major electronic timing systems (Omega RBD).



CODE	HEIGHT			PACKING	WEIGHT	VOLUME
	A	B	C			
CE-136	650	615	580	1	35	0.3
CE-137	800	630	620	1	54	0.4

09 OVERFLOW BLOCK STAND

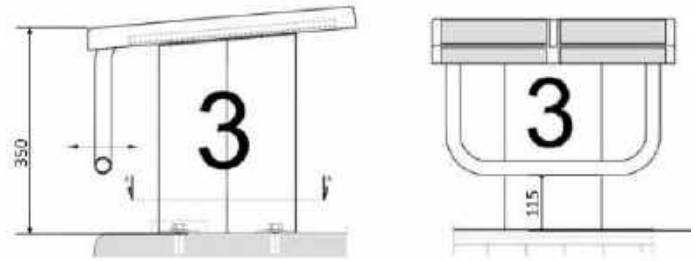
- Provides a stable platform for the installation of blocks in an overflow pool.
- Produced from hand-laid FRP and SS316 fittings.
- Can be used with optional GRP Turnboard.
- Elegant design allows cleaning of pool deck without
- Starting block not included



CODE	PACKING	WEIGHT	VOLUME
		kg	m ³
CE-138	1	54	0.65

10 STAINLESS STEEL STARTING BLOCK

- Structure made of 316 stainless steel
- Platform adjustment: any position with 12 cm excursion
- Stainless steel handle with horizontal and vertical grip, adjustable
- Anti Slip ABS platform
- Colour: White (RAL 9010) or Blue (RAL 5012).
- FINA Approved

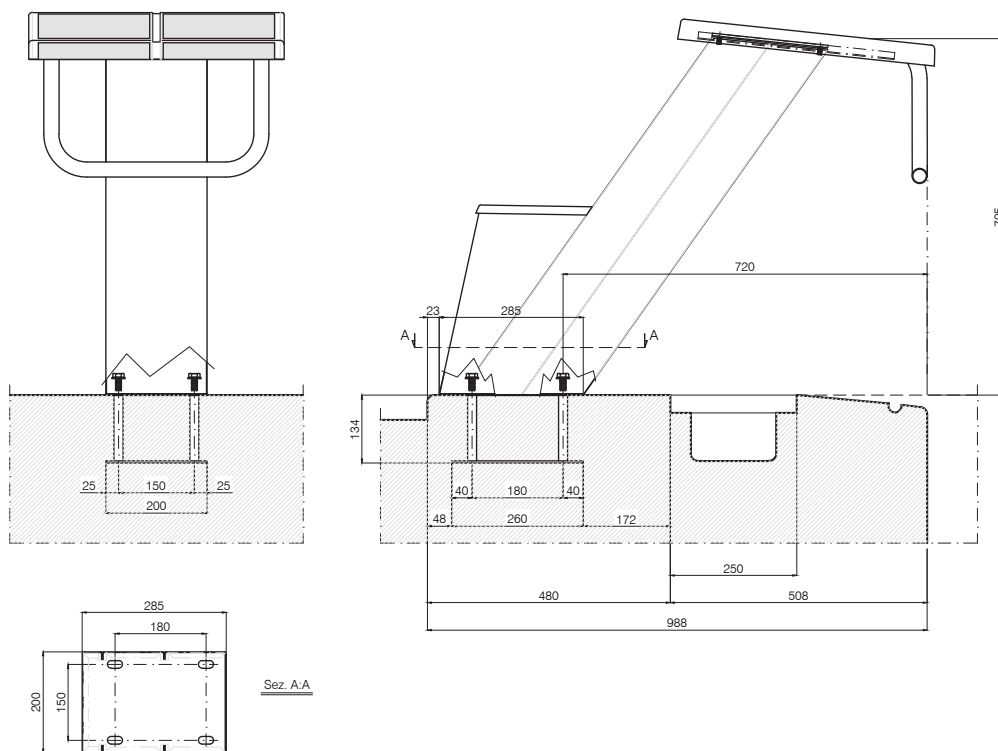


CODE	HEIGHT	PACKING	WEIGHT	VOLUME
	mm		kg	m ³
P2415	350	1	17	0.15

STAINLESS STEEL STARTING BLOCK



- Structure made of 316 stainless steel
- Platform adjustment: any position, RANGE 0-20 cm
- Stainless steel handle
- Anti Slip ABS platform
- Colour: White (RAL 9010) or Blue (RAL 5012).
- FINA Approved

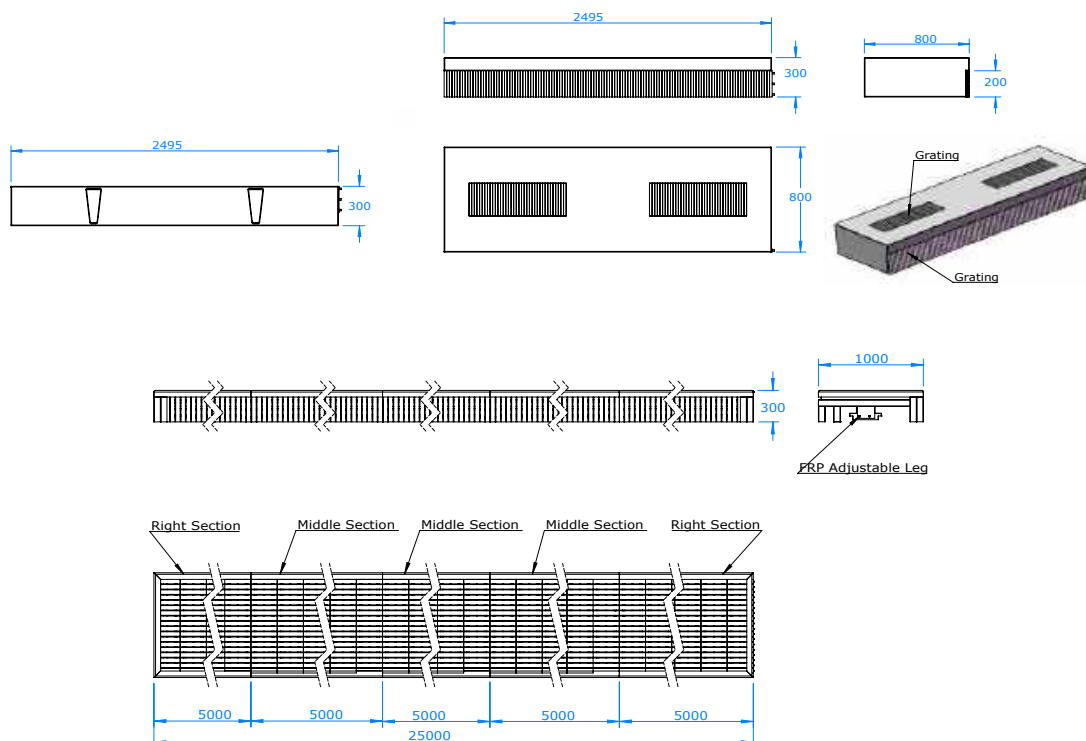


CODE	HEIGHT	PACKING	WEIGHT	VOLUME
	mm		kg	m ³
P2423	720	2	-	0.30

11 END WALLS



- The AQUA Endwall is designed to provide a safe and efficient means of managing competition and fitness swimming in an overflow or 'wet deck' pool environment.
- Easy to install and simple to remove and store.
- Suitable for competitive events and normal competition or training.
- Enables the installation of starting blocks and timing equipment in over flow pool environment.
- Non-slip surface provides positive confirmation of the end of the pool to the swimmer as well as safe and speedy exiting of the pool.
- Movable gratings on sides ensure quick and easy cleaning of the channel with end wall in place.
- Can be used with most popular timing systems and touch pads.



CODE	DESCRIPTION	PACKING	WEIGHT	VOLUME
			kg	m ³
CE-139	FRP ENDWALL WHITE 2.5 x 0.8 x 0.3 m	1	60	0.8
CE-139-HT	WHITE EXTRACTED ENDWALL 2.5 x 1.0 x 0.3 m HITECH	1	100	1.0

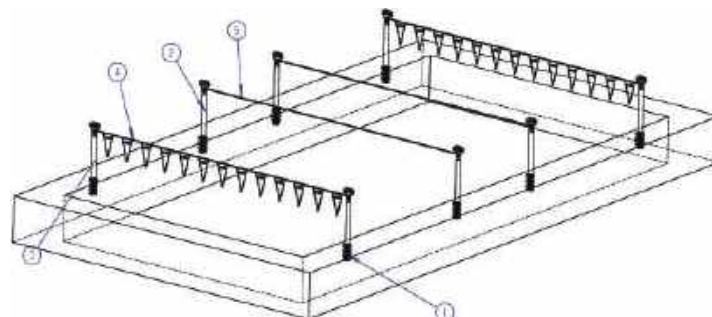
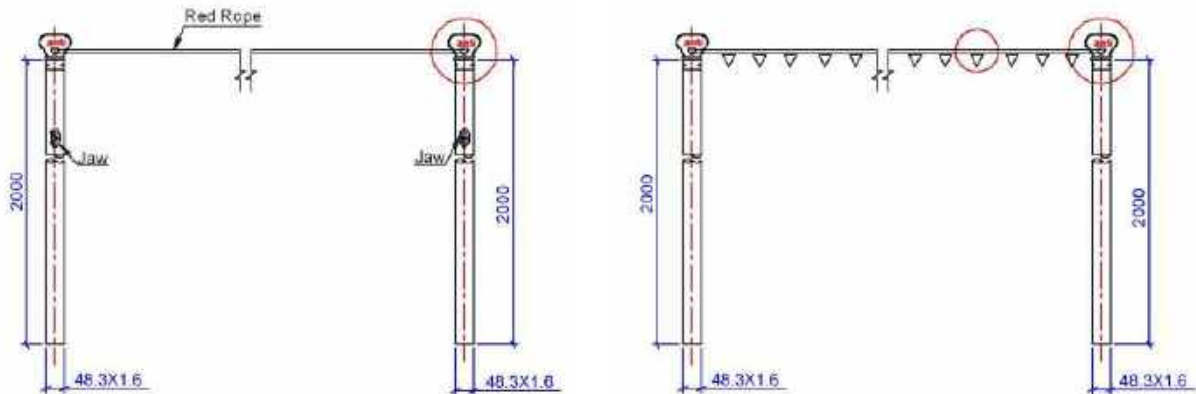
12 BACKSTROKE- FALSE START SET



- Contains a complete set of poles made of corrosion-resistant aluminium, flags, lines and fittings.
- Poles are 2 m high.
- The set is supplied with sufficient S. Steel deck hole anchors for installation.



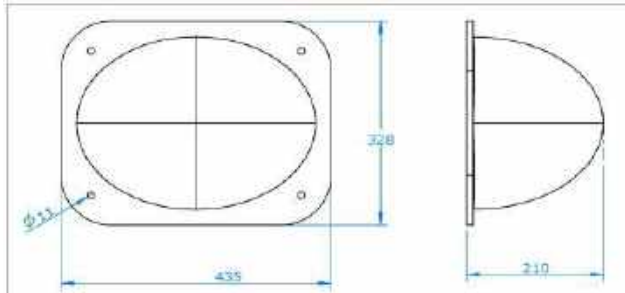
CODE	DESCRIPTION	PACKING	WEIGHT	VOLUME
			kg	m ³
CE-134	SS316 Poles x 2, DH Anchor x 2	1	54	0.65
CE-134-F	SS316 Poles w/ Jaw x 2, DH Anchor x 2, Rope	1	30	0.40



13 "NO DIVING" BLOCK CONE



The Block Cone straps on to any starting block to restrict diving or to provide signage.

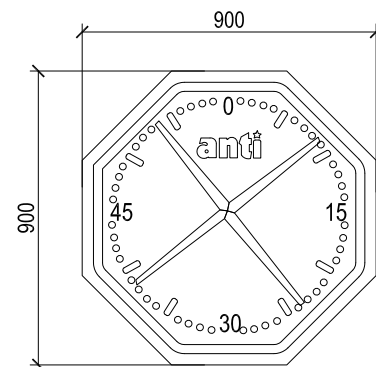


CODE	PACKING	WEIGHT	VOLUME
		kg	m ³
CE-115	1	3	0.02

14 PACE CLOCK



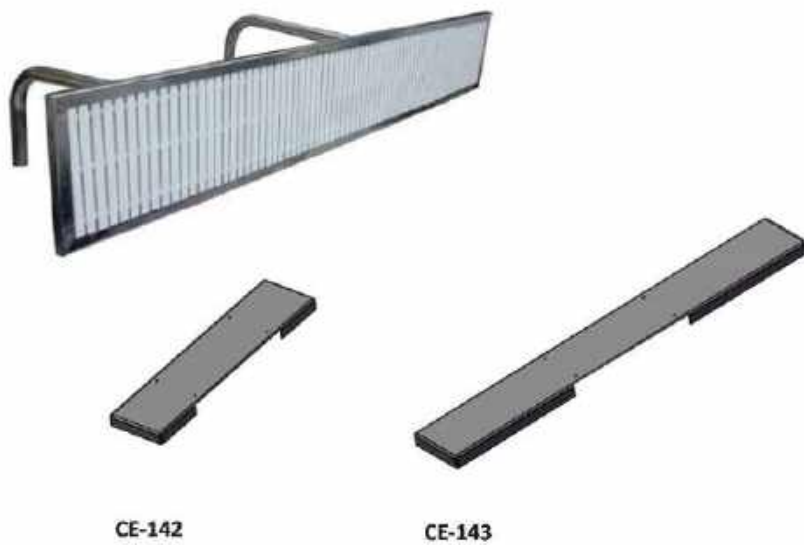
- Designed specifically for the Sydney 2000 Olympics Pool and combines excellent design with functionality.
- Dimensions are 900 x 900mm and Pace Clock is designed for wall hanging with a 220V drive socket.
- Multi-coloured hands provide clear and easy reading from the water level.
- Engineering plastics frame with acrylic Cover.



CODE	PACKING	WEIGHT	VOLUME
		kg	m ³
CE-133	1	18	0.2

15 TURNWALL

TURNBOARD GRP: Produced from FRP with SS316 fittings, the Turnboard provides positive confirmation of the pool end for the swimmer and attaches to the OverFlow BlockStand.

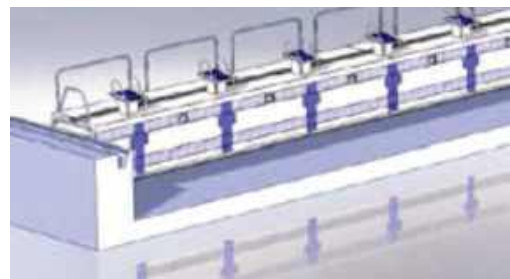


CODE	DESCRIPTION	PACKING	WEIGHT	VOLUME
			kg	m ³
CE-140	TURNBOARD GRP 1.2 x 0.3 m	1	10	0.10
CE-141	TURNBOARD GRP 1.9 x 0.3 m	1	14	0.15
CE-142	TURNBOARD FIBERGLASS 1.2 x 0.3 m	1	10	0.04
CE-143	TURNBOARD FIBERGLASS 2 x 0.3 m	1	13	0.06

16 MOVABLE BULKHEAD

- The Movable Bulkhead sets the international standard for Bulkhead pool configuration and programmability.
- A high-precision corrosion resistant bulkhead that successfully meets all international regulations and requirements that has positive appeal to the swimming community.
- Bulkhead motorisation began in 1985 and is still in operation, with our latest design leading the world in reliability and efficient operation.

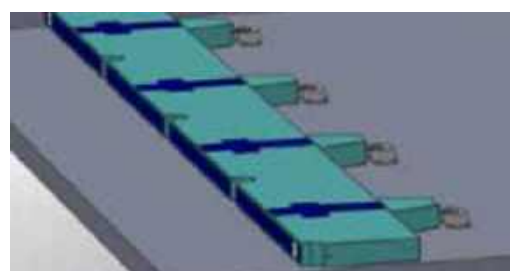
To order please enquire and supply dimensional information.




17 SUBMERSIBLE SWIMWALL

- The Submersible Swimwall is locked flat on the pool floor when not in use and can be raised in moments when required by introducing compressed air using supplied airlines into the bulkhead. The bulkhead is then locked into the upright position against the pool side.
- The ability to span either half or all of the pool means even greater flexibility for pool programming.
- The Submersible Swimwall is produced from FRP with internal buoyancy to permit manual operation using supplied air lines. Vertical walls of the bulkhead are supplied with target markings in accordance with Fina regulations.
- Provision is made for lane ropes to pass through the bulkhead as required, and for the connection of lanes to the Swimwall.

To order please enquire.





14 TEMPERATURE CONTROL

INDEX

01	AIR TO WATER HEATING /COOLING PUMP	460
02	ELECRO EVOLUTION 2 ALL TITANIUM ANALOGUE CONTROLLER	476
03	OPTIMA COMPACT POOL HEATER	478
04	SFS JOEY	480
05	TITAN OPTIMA	482
06	POOL SMART PLUS	484
07	HEAT SMART & KOOL SMART PLUS	485
08	G2 HEAT EXCHANGER	486
09	SST HEAT EXCHANGER	488
10	PLATE HEAT EXCHANGER	490
11	AQUA POOL DEHUMIDIFIERS WITH HEATING & COOLING FUNCTION	493
12	WATER TO WATER POOL HEAT PUMP	498
13	AIR COOLED WATER CHILLER	500
14	INDOOR POOL DEHUMIDIFIER	502

01 AIR TO WATER HEATING / COOLING PUMP

Air/water heating/cooling pump is part of the AQUA product line, which indicates the swimming pool and SPA heat pump.

Swimming pool heat pump can be used for heating or cooling swimming pool, spa or some other open water system.

Water system pressure should be less than 3 bar. (Cannot be used for close water system such as air conditioning, ground source heating and so on.)

PRODUCT FEATURES



HIGH EFFICIENCY

Adopt heat pump for heating and the energy comes from ambient air. So its COP can reach 5.5



SAFETY

Water and electricity are completely separate. ECO friendly gas, no fire, no electricity leakage, safer than fuel burner or electrical heater.



ENVIRONMENTALLY FRIENDLY

Adopt R407C, R410-A, R22 as refrigerant, according to the requirements of EU Montreal Protocol.



CORROSION PREVENTION

The condenser uses titanium metal, its corrosion resistance is 4-5 times of ordinary copper tube, the corrosion ability of the unit is significantly improved, while the effective way to prevent fluoride leakage.

So the medium of heat exchange can also contain seawater, mild industrial water, etc.



INTELLIGENT DEFROSTING

By means of both mechanical and automatic control, defrosting can be operated in a shorter time to avoid severe attenuation of heating capacity in winter and not run when not necessary.



ANTIFREEZING CONTROL

The unit starts up automatic antifreezing control when shutdown (no power off), using of antifreezing heat exchanger, 10 freezing tests, no leakage..



VARIOUS PROTECTIVE MEASURES

- Lack-phase and anti-phase protection
- Self memory function when power off
- Overpressure protection
- Leakage refrigerant protection
- Water protection for unit
- Overcurrent protection
- Temperature over protection



ADVANCED CONTROL SYSTEM

- Displaying operating and trouble status.
- Checking real-time operation parameters etc.
- The cable length between controller and the unit can be up to 30m for flexible installation (on request).
- Keep balance running of compressor
- Automatically adjusting capacity according to the change of water inlet the temperature.
- Can achieve the perfect docking with BMS. Realizing remote control based on user requirement for easy management and maintenance. And can realize multi unit modular operation



COMPRESSOR

AQUA products and the world famous brand compressor manufacturers (COPELAND\ GMCC) have good cooperation, so as to ensure the high quality of the machine.

HOW DOES THE UNIT WORK?

AS A CHILLER

1- STAGE ONE

The temperature of the hot gaseous refrigerant discharged from the compressor is much higher than the outside ambient air temperature. When the outside air passes across the condenser coil, the gaseous refrigerant transfers its heat to the air and condenses into liquid.

2- STAGE TWO

The liquid refrigerant passes through the capillary tube, reducing its pressure and temperature.

3- STAGE THREE

The low temperature refrigerant passes to the heat exchanger evaporator, where the actual heat transfer takes place: the refrigerant absorbs heat from the water pumped into the heat exchanger and evaporates, whereby the water temperature is reduced.

4- STAGE FOUR

The gas refrigerant is then sucked to the compressor and compressed, increasing its pressure and temperature, ready to start the whole cycle once again.

AS A HEAT PUMP

1- STAGE ONE

The heat transfer medium (the refrigerant) is colder than the outside air. As the outside air passes across the evaporator coil, the liquid refrigerant absorbs heat from the air and evaporates.

2- STAGE TWO

The gaseous refrigerant then passes to the compressor and is compressed. When compressed, the pressure is increased and the temperature of the vapor rises, effectively concentrating the heat.

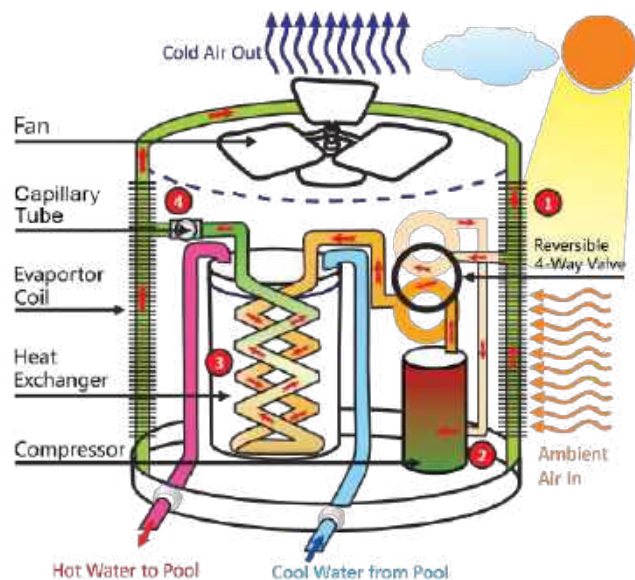
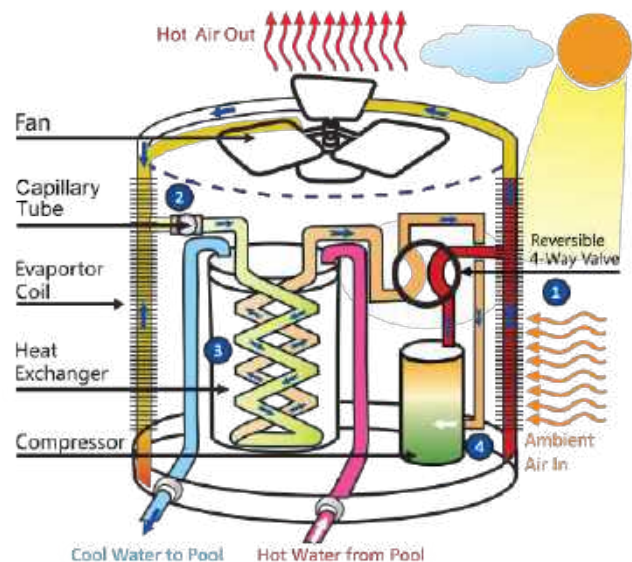
3- STAGE THREE

The hot gaseous refrigerant passes to the heat exchanger condenser, where the actual heat transfer takes place: the intensely hot gaseous refrigerant transfers its heat to the water pumped into the heat exchanger and condenses back into a liquid.

4- STAGE FOUR

The liquid refrigerant then passes through a capillary tube, reducing its pressure and temperature, ready to start the whole cycle once again.

CAPILLARY TUBE



GAS TYPE – R410A

			PH-02620-R410A	PH-02625-R410A	PH-02630-R410A
Refrigerant					
Power supply		V/PH/Hz	220/1/50	220/1/50	220/1/50
YL-H01-Heating: A24/W26°C	Heating capacity	kW	9.5	12	14
		BTU/h	32414	40944	47768
	Power input	kW	1.7	2.2	2.5
	Current	A	7.9	9.9	4.6
	COP	W/W	5.5	5.5	5.5
YL-H02-Heating: A15/W26°C	Heating capacity	kW	8.1	10.2	11.9
		BTU/h	27552	34802	40603
	Power input	kW	1.8	2.2	2.6
	Current	A	8.0	10.1	4.6
	COP	W/W	4.6	4.6	4.6
YL-C01-Cooling: A35/W30°C	Cooling capacity	kW	7	9.0	10
		BTU/h	23338	29480	34393
	Power input	kW	1.8	2.3	2.7
	Current	A	8.3	10.6	4.7
	EER	W/W	3.75	3.70	3.80
YL-C02-Cooling: A46/W30	Cooling capacity	kW	5.814	7.3	8.6
		BTU/h	19837	25058	29234
	Power input	kW	1.9	2.5	2.8
	Current	A	8.8	11.3	5.0
	EER	W/W	3.00	2.96	3.04
OPERATING	Water outlet temp.range	°C	15-40	15-40	15-40
	Ambient temp.range	°C	0-53	0-53	0-53
HEAT EXCHANGER	Compressor brand		GMCC	GMCC	COMPLAND
	Compressor type		Rotary*1	Scroll*1	Scroll*1
	Controller	Micro processor based digital controller with LCD touch screen display			
	Noise	dB(A)	51	53	53
MAX.	Power input	KW	3	4	5
	Current	A	15	19	9
KEY	Type		Titanium /PVC	Titanium /PVC	Titanium /PVC
	Standard water flow	m ³ /h	4.1	5.2	6.0
	Suggested water flow	m ³ /h	4-6	5-7	6-8
	Water pressure drop(max)	KPa	6	10	11
	Water pipe				
	Water connection	mm	50	50	50
FAN	Position		Verticle	Verticle	Verticle
	Material		Plastic	Plastic	Plastic
	Air flow	m ³ /h	2000	2600	3500
DIMENSIONS (L x W x H)	Net	mm	688/696/737	688/696/737	764/686/941
	Shipping	mm	736/750/895	736/750/895	795/736/1100
WEIGHT		kg	63/77	70/77	95/110
Loading qty		20/40/40hq	63/144/144	63/144/144	42/96/144

PH-02640-R410A	PH-02650-R410A	PH-02660-R410A	PH-02670-R410A	PH-02700-R410A	PH-02710-R410A	PH-02712-R410A
380/3/50	380/3/50	380/3/50	380/3/50	380/3/50	380/3/50	380/3/50
17	21	25	31	35	40	45
58004	71652	85300	105772	119420	136480	153540
3.1	3.8	4.5	5.7	6.4	7.3	8.2
5.5	6.8	8.1	10.3	11.4	13.0	14.6
5.5	5.5	5.5	5.4	5.5	5.5	5.5
14.5	17.9	21.3	26.4	29.8	34.0	38.3
49303	60904	72505	89906	101507	116008	130509
3.2	3.9	4.6	5.9	6.5	7.4	8.3
5.6	6.9	8.3	10.5	11.6	13.3	14.9
4.6	4.6	4.6	4.5	4.6	4.6	4.6
12	15	18	22	25	29	32
41763	51589	61416	76156	85982	98266	110549
3.2	4.0	4.7	5.9	6.5	7.5	8.4
5.8	7.2	8.5	10.5	11.7	13.4	15.0
3.80	3.76	3.80	3.80	3.85	3.85	3.85
10.4	12.9	15.3	19.0	21.4	24.5	27.5
35498	43851	52204	64732	73085	83526	93966
3.4	4.3	5.0	6.3	7.0	7.9	8.9
6.1	7.6	9.0	11.2	12.4	14.2	16.0
3.04	3.01	3.04	3.04	3.08	3.08	3.08
15-40	15-40	15-40	15-40	15-40	15-40	5-40
0-53	0-53	0-53	0-53	0-53	0-53	0-53
COMPLAND	COMPLAND	COMPLAND	COMPLAND	COMPLAND	COMPLAND	COMPLAND
Scroll*1	Scroll*1	Scroll*1	Scroll*1	Scroll*1	Scroll*2	Scroll*2
Micro processor based digital controller with LCD touch screen display						
53	54	55	55	58	59	59
6	7	9	11	12	14	16
11	13	16	20	22	25	29
Titanium /PVC	Titanium /PVC	Titanium /PVC	Titanium /PVC	Titanium /PVC	Titanium /PVC	Titanium /PVC
7.3	9.0	10.7	13.3	15.0	17.2	19.3
7-9	9-12	10-14	12-17	15-20	17-23	19-26
12	12	12	12	15	15	15
					PPR or PVC	PPR or PVC
50	50	50	63	63	63	63
Verticle	Verticle	Verticle	Verticle	Verticle	Verticle	Verticle
Plastic	Plastic	Plastic	Plastic	Plastic	Plastic	Plastic
3500	5500	5500	5500	7500	9000	10000
764/686/941	764/686/941	764/686/941	810/810/1069	860/860/1284	1453/708/1084	1453/708/1084
795/736/1110	795/736/1110	795/736/1100	915/860/1230	932/912/1418	1520/760/1235	1525/760/1235
105/115	106/120	145/155	150/160	203/210	250/270	265/285
42/96/144	42/96/144	42/196/144	42/90/90		10/22/44	10/22/44

GAS TYPE – R410A

			PH-02713-R410A	PH-02714-R410A	PH-02715-R410A	PH-02720-R410A
Refrigerant						
Power supply		V/PH/Hz	380/3/50	380/3/50	380/3/50	380/3/50
YL-H01-Heating: A24/W26°C	Heating capacity	kW	55	65	82	100
		BTU/h	187660	221780	279784	341200
	Power input	kW	10.0	11.8	14.5	18.2
	Current	A	17.9	21.1	26.0	32.5
	COP	W/W	5.5	5.5	5.5	5.5
YL-H02-Heating: A15/W26°C	Heating capacity	kW	46.8	55.3	69.7	85.0
		BTU/h	159511	188513	237816	290020
	Power input	kW	10.2	12.1	15.2	18.5
	Current	A	18.2	21.5	27.2	33.2
	COP	W/W	4.6	4.6	4.6	4.6
YL-C01-Cooling: A35/W30°C	Cooling capacity	kW	40	47	59	72
		BTU/h	135115	159682	208132	245664
	Power input	kW	10.4	12.3	16.1	19.3
	Current	A	18.6	22.0	28.7	34.4
	EER	W/W	3.80	3.80	3.80	3.74
YL-C02-Cooling: A46/W30	Cooling capacity	kW	33.7	39.8	50.2	61.2
		BTU/h	114848	135729	179812	208814
	Power input	kW	11.1	13.1	17.1	20.5
	Current	A	19.8	23.4	30.5	36.6
	EER	W/W	3.04	3.04	3.04	2.99
OPERATING	Water outlet temp.range	°C	5-40	15-40	15-40	15-40
	Ambient temp.range	°C	0-53	0-53	0-53	0-53
HEAT EXCHANGER	Compressor brand		COMPLAND	COMPLAND	COMPLAND	COMPLAND
	Compressor type		Scroll*2	Scroll*3	Scroll*3	Scroll*4
	Controller	Micro processor based digital controller with LCD touch screen display				
	Noise	dB(A)	59	62	62	62
MAX.	Power input	KW	20	23	29	35
	Current	A	35	41	52	63
KEY	Type		Titanium /PVC	Titanium /PVC	Titanium /PVC	Titanium /PVC
	Standard water flow	m ³ /h	23.6	27.9	35.3	43.0
	Suggested water flow	m ³ /h	23.6-29	27.9-37	35-46	45-60
	Water pressure drop(max)	KPa	16	18	20	20
	Water pipe		PPR or PVC	PPR or PVC	PPR or PVC	PPR OR PVC
	Water connection	mm	63	63	63	110
FAN	Position		Verticle	Verticle	Verticle	Verticle
	Material		Plastic	Plastic	Plastic	Plastic
	Air flow	m ³ /h	13000	15000	18000	22000
DIMENSIONS (L x W x H)	Net	mm	1453/708/1284	2145/761/1306	2145/761/1306	1420/1420/1578
	Shipping	mm	1520/760/1455	2215/815/1455	2215/815/1455	1472/1472/1758
WEIGHT		kg	285/310	400/440	510/570	580/620
Loading qty		20/40/40hq	10/22/22	7/14/14	7/14/14	7/14/14

PH-02730-R410A	PH-02740-R410A	PH-02750-R410A	PH-02760-R410A	PH-02765-R410A	PH-02770-R410A	PH-02780-R410A
380/3/50	380/3/50	380/3/50	380/3/50	380/3/50	380/3/50	380/3/50
135	160	180	220	235	250	350
460620	545920	614160	750640	801820	853000	1194200
24.5	29.1	32.7	40.0	42.7	45.5	63.6
43.9	52.0	58.5	71.5	76.4	81.3	113.8
5.5	5.5	5.5	5.5	5.5	5.5	5.5
114.8	136.0	153.0	187.0	199.8	212.5	297.5
391527	464032	522036	638044	681547	725050	1015070
25.0	29.7	33.4	41.6	43.6	46.4	64.9
44.8	53.1	59.7	74.3	77.9	82.9	116.0
4.6	4.6	4.6	4.5	4.6	4.6	4.6
97	115	130	154	169	180	252
331646	393062	442195	525448	557310	614160	859824
26.0	30.9	34.6	40.5	44.5	47.4	66.3
46.4	55.2	61.8	72.4	79.6	84.7	118.5
3.74	3.73	3.75	3.80	3.80	3.80	3.80
82.6	97.9	110.2	13	143.8	153.0	214.2
281899	334103	375866	446631	490714	522036	730850
27.6	32.8	36.7	43.1	47.3	50.3	70.5
49.4	58.7	3.00	77.0	84.6	90.0	125.9
2.99	2.98	3.00	3.04	3.04	3.04	3.04
15-40	15-40	15-40	15-40	15-40	15-40	15-40
0-53	0-53	0-53	0-53	0-53	0-53	0-53
COMPLAND	COMPLAND	COMPLAND	COMPLAND	COMPLAND	COMPLAND	COMPLAND
Scroll*5	Scroll*6 or 3	Scroll*7 or 3	Scroll*8 or 4	Scroll*10 or 4	Scroll*10 or 4	Scroll*10 or 4
Micro processor based digital controller with LCD touch screen display						
62	65	65	65	65	68	68
48	57	64	78	83	89	124
86	101	114	139	149	158	222
Titanium /PVC	Titanium /PVC	Titanium /PVC	Titanium /PVC	Titanium /PVC	Titanium /PVC	Titanium /PVC
58.0	68.8	77.4	94.6	101.0	107.5	150.5
58-65	68.91	77-103	90-120	101-125	107-143	150-160
22	23	24	25	25	26	28
PPR OR PVC	PPR OR PVC	PPR OR PVC	PPR or PVC	PPR or PVC	PVC	PVC
110	110	110	110	110	160	160
Verticle	Verticle	Verticle	Verticle	Verticle	Verticle	Verticle
Plastic	Plastic	Plastic	Plastic	Plastic	Plastic	Plastic
33000	33000	39000	44000	44000	60000	77000
2185/1767/1388	2185/1767/1388	2185/1767/1540	2185/1765/1540	2185/1765/1540	2188/2188/2236	3280/2188/2236
2235/1820/1550	2235/1820/1550	2235/1820/1695	2235/1820/1695	2235/1820/1695	2240/2240/2400	3332/2240/2400
820/870	928/960	1180/1230	1044/1080	1276/1320	1420/1470	2050/2180
3/6/6	3/6/6	3/6/6	3/6/6	2/5/5	2/5/5	2/5/5

SWIMMING POOL HEAT PUMP - PHFD

			PHFD-02610-R410A	PHFD-02615-R410A	PHFD-02620-R410A
Power supply		V/PH/Hz	220-240/1/50		
YL-H01-Heating: A24/W26°C	Heating capacity	kW	5	7.3	9.8
		BTU/h	17060	24907.6	33437.6
	Power input	kW	0.9	1.3	1.8
	Current	A	4.1	6.0	8.1
	COP	W/W	5.5	5.5	5.5
YL-H02-Heating: A15/W26°C	Heating capacity	kW	4.3	6.2	8.3
		BTU/h	14501	21171.5	28422.0
	Power input	kW	0.9	1.4	1.8
	Current	A	4.2	6.2	8.3
	COP	W/W	4.6	4.6	4.6
YL-H03-Heating: A7/W26°C	Heating capacity	kW	3.2	4.6	6.2
		BTU/h	10748	15691.8	21066.7
	Power input	kW	0.8	1.2	1.7
	Current	A	3.8	5.6	7.5
	COP	W/W	3.7	3.7	3.7
YL-C01-Cooling: A35/W30°C	Cooling capacity	kW	3.6	5.3	7.1
		BTU/h	12283.2	17933.5	24075.1
	Power input	kW	1.0	1.4	1.9
	Current	A	4.4	6.4	8.6
	EER	W/W	3.8	3.8	3.8
YL-C02-Cooling: A46/W30°C	Cooling capacity	kW	3.1	4.5	6.0
		BTU/h	10440.7	15243.5	20463.8
	Power input	kW	1.0	1.5	2.0
	Current	A	4.6	6.8	9.1
	EER	W/W	3.0	3.0	3.0
MAX	Power input	kW	1.4	2	2.7
	Current	A	6.2	9	12.1
OPERATING	Water outlet temp.range	°C	15-40	15-40	15-40
	Ambient temp.range	°C	0-53	0-53	0-53
KEY	Compressor type		Rotary	Rotary	Rotary
	Noise	dB(A)	47	50	51
HEAT EXCHANGER	Type		Titanium / PVC	Titanium / PVC	Titanium / PVC
	Standard water flow	m ³ /h	2.1	3.1	4.2
	Water pressure drop(max)	KPa	4	6	6
	Water pipe				
	Water connection	mm	50	50	50
FAN	Position		Horizontal	Horizontal	Horizontal
	Material		1200	2000	2000
DIMENSIONS (L x W x H)	Net	mm	932 x 355 x 515	1003 x 350 x 627	1003 x 350 x 627
	Shipping	mm	980 x 335 x 676	1085 x 355 x 770	1085 x 355 x 770
WEIGHT		kg	48/55	50/58	50/63

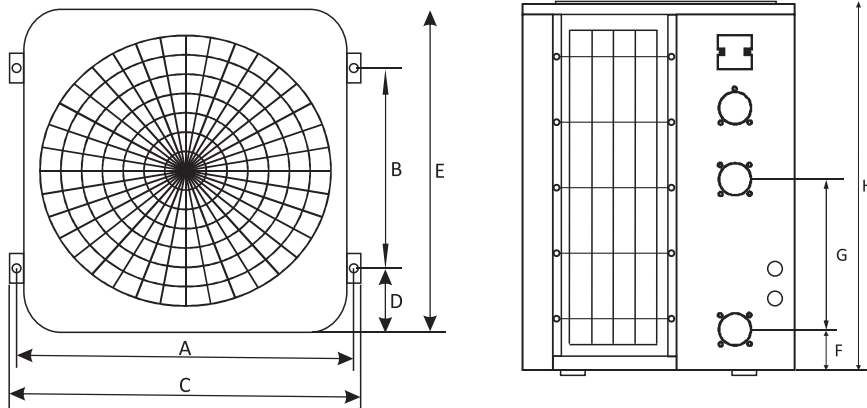
PHFD-02625-R410A	PHFD-02630-R410A	PHFD-02630-R410A	PHFD-02640-R410A	PHFD-02650-R410A	PHFD-02660-R410A
220-240/1/50		380-415/3/50			
12	14	14	17	21	25
40944	47768	47768	58004	71652	85300
2.2	2.6	2.5	3.1	3.8	4.5
9.9	11.6	4.6	5.5	6.8	8.1
5.5	5.5	5.5	5.5	5.5	5.5
10.2	11.9	11.9	14.5	17.9	21.3
34802.4	40602.8	40602.8	49303.4	60904.2	72505
2.2	2.6	2.6	3.2	3.9	4.6
10.1	11.9	4.6	5.6	6.9	8.3
4.6	4.6	4.6	4.6	4.6	4.6
7.6	8.8	8.8	10.7	13.2	15.8
25794.7	30093.8	30093.8	36542.5	45140.1	53739
2.0	2.4	2.4	2.9	3.5	4.2
9.2	10.8	4.2	5.1	6.3	7.6
3.7	3.7	3.7	3.7	3.7	3.7
8.6	10.1	10.1	12.2	15.1	18
29479.7	34393.0	34393	41762.9	51589.4	61416
2.3	2.7	2.7	3.2	4.0	4.7
10.6	12.4	4.7	5.8	7.2	8.5
3.7	3.7	3.8	3.8	3.8	3.8
7.3	8.6	8.6	10.4	12.9	15.3
25057.7	29234	29234	35498.4	43851.0	52203.6
2.5	2.9	2.8	3.4	4.3	5.0
11.3	13.2	5.0	6.1	7.6	9.0
3.0	3.0	3.0	3.0	3.0	3.04
3.3	3.8	3.8	4.6	5.7	6.8
14.9	17.5	17.4	21.1	25.9	31.0
15-40	15-40	15-40	15-40	15-40	15-40
0-53	0-53	0-53	0-53	0-53	0-53
Rotary	Rotary	Scroll	Scroll	Scroll	Scroll
53	53	53	53	54	55
Titanium / PVC	Titanium / PVC	Titanium / PVC	Titanium / PVC	Titanium / PVC	Titanium / PVC
5.2	6.0	6.0	7.3	9.0	10.7
10	11	11	12	12	12
50	50	50	50	50	50
Horizontal	Horizontal	Horizontal	Horizontal	Horizontal	Horizontal
2600	3500	3500	3500	5500	5500
1003 x 350 x 627	1088 x 388 x 687	1088 x 388 x 687	1088 x 388 x 987	1088 x 388 x 987	1088 x 388 x 1287
1085 x 355 x 770	1130 x 445 x 830	1130 x 445 x 830	1130 x 445 x 1130	1130 x 445 x 1130	1130 x 445 x 1430
63/70	77/97	77/97	95/110	105/115	120/135

SWIMMING POOL HEAT PUMP - PHFD

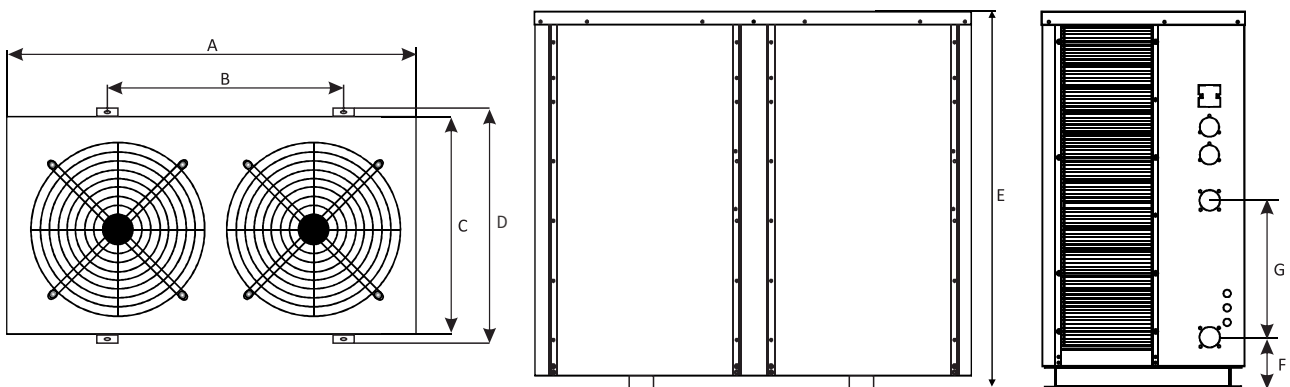
			PHFD-02670-R410A	PHFD-02710-R410A	PHFD-02712-R410A
Power supply		V/PH/Hz	380-415/3/50		
YL-H01-Heating: A24/W26°C	Heating capacity	kW	31	40	45
		BTU/h	105772	136480	153540
	Power input	kW	5.6	7.3	8.2
	Current	A	10.1	13.0	14.6
	COP	W/W	5.5	5.5	5.5
YL-H02-Heating: A15/W26°C	Heating capacity	kW	26.4	34.0	38.3
		BTU/h	89906.2	116008	130509
	Power input	kW	5.7	7.4	8.3
	Current	A	10.3	13.3	14.9
	COP	W/W	4.6	4.6	4.6
YL-H03-Heating: A7/W26°C	Heating capacity	kW	19.5	25.2	28.4
		BTU/h	66636.4	85982	96730.2
	Power input	kW	5.2	6.8	7.6
	Current	A	9.4	12.1	13.6
	COP	W/W	3.7	3.7	3.7
YL-C01-Cooling: A35/W30°C	Cooling capacity	kW	22.3	28.8	32.4
		BTU/h	76155.8	98265.6	110548.9
	Power input	kW	5.9	7.5	8.4
	Current	A	10.5	13.4	15.0
	EER	W/W	3.8	3.9	3.9
YL-C02-Cooling: A46/W30°C	Cooling capacity	kW	19.0	24.5	27.5
		BTU/h	64732.5	83525.8	93966.5
	Power input	kW	6.2	7.9	8.9
	Current	A	11.2	14.2	16.0
	EER	W/W	3.0	3.1	3.1
MAX	Power input	kW	8.5	10.9	12.3
	Current	A	38.4	49.6	55.8
OPERATING	Water outlet temp.range	°C	15-40	15-40	15-40
	Ambient temp.range	°C	0-53	0-53	0-53
KEY	Compressor type		Scroll	Scroll	Scroll
	Noise	dB(A)	59	59	59
HEAT EXCHANGER	Type		Titanium / PVC	Titanium / PVC	Titanium / PVC
	Standard water flow	m ³ /h	13.3	17.2	19.3
	Water pressure drop(max)	KPa	15	15	15
	Water pipe		PPR or PVC	PPR or PVC	PPR or PVC
	Water connection	mm	63	63	63
FAN	Position		Horizontal	Horizontal	Horizontal
	Material		7000	9000	1000
DIMENSIONS (L x W x H)	Net	mm	1088 x 388 x 1487	1454 x 752 x 1703	1454 x 752 x 1703
	Shipping	mm	1130 x 445 x 1630	1505 x 880 x 1845	1505 x 880 x 1845
WEIGHT		kg	130/145	250/270	265/285

PHFD-02713-R410A	PHFD-02714-R410A	PHFD-02715-R410A	PHFD-02720-R410A	PHFD-02730-R410A	PHFD-02740-R410A
380-415/3/50					
55	65	82	105	135	158
187660	221780	279784	358260	460620	539096
10.0	11.8	14.9	19.1	24.5	28.7
17.9	21.1	26.7	34.1	43.9	51.4
5.5	5.5	5.5	5.5	5.5	5.5
46.8	55.3	69.7	89.3	114.8	134.3
159511	188513	237816.4	304521.0	391527	458231.6
10.2	12.1	15.2	19.5	25.0	29.3
18.2	21.5	27.2	34.8	44.8	52.4
4.6	4.6	4.6	4.6	4.6	4.6
34.7	41.0	51.7	66.2	85.1	99.5
118225.8	139721.4	176263.9	225703.8	290190.6	339630.5
9.3	11.0	13.9	17.8	22.8	26.7
16.6	19.6	24.8	31.7	40.8	47.8
3.7	3.7	3.7	3.7	3.7	3.7
39.6	46.8	59	75.6	97.2	113.8
135115.2	159681.6	201444.5	257947.2	331646.4	388149.1
10.4	12.3	15.5	20.2	26.0	30.5
18.6	22.0	27.8	36.1	46.5	54.5
3.8	3.80	3.8	3.7	3.7	3.7
33.7	39.8	50.2	64.3	82.6	96.7
114847.9	135729.4	17122.8	219255.1	281899.4	329926.8
11.1	13.1	16.5	21.5	27.6	32.4
19.8	23.4	29.5	38.4	49.4	57.9
3.0	3.0	3.0	3.0	2.99	3.0
15.0	17.7	22.4	28.6	36.8	43.1
68.2	80.6	101.7	130.2	167.4	195.9
15-40	15-40	15-40	15-40	15-40	15-40
0-53	0-53	0-53	0-53	0-53	0-53
Scroll	Scroll	Scroll	Scroll	Scroll	Scroll
59	62	62	62	62	65
Titanium / PVC	Titanium / PVC	Titanium / PVC	Titanium / PVC	Titanium / PVC	Titanium / PVC
23.6	27.9	35.3	45.1	58.0	67.9
16	18.0	20	20	22	23
PPR or PVC	PPR or PVC	PPR or PVC			
63	63	63	110	110	110
Horizontal	Horizontal	Horizontal	Horizontal	Horizontal	Horizontal
13000	15000	18000	22000	28000	33000
1454 x 752 x 1703	2188 x 752 x 1703	2188 x 752 x 1703	1454 x 752 x 2103	2188 x 860 x 2248	2188 x 860 x 2248
1505 x 880 x 1845	2240 x 880 x 1845	2240 x 880 x 1845	1505 x 880 x 2245	2240 x 990 x 2390	2240 x 990 x 2390
285/310	400 x 440	490/540	540/600	820/870	910/950

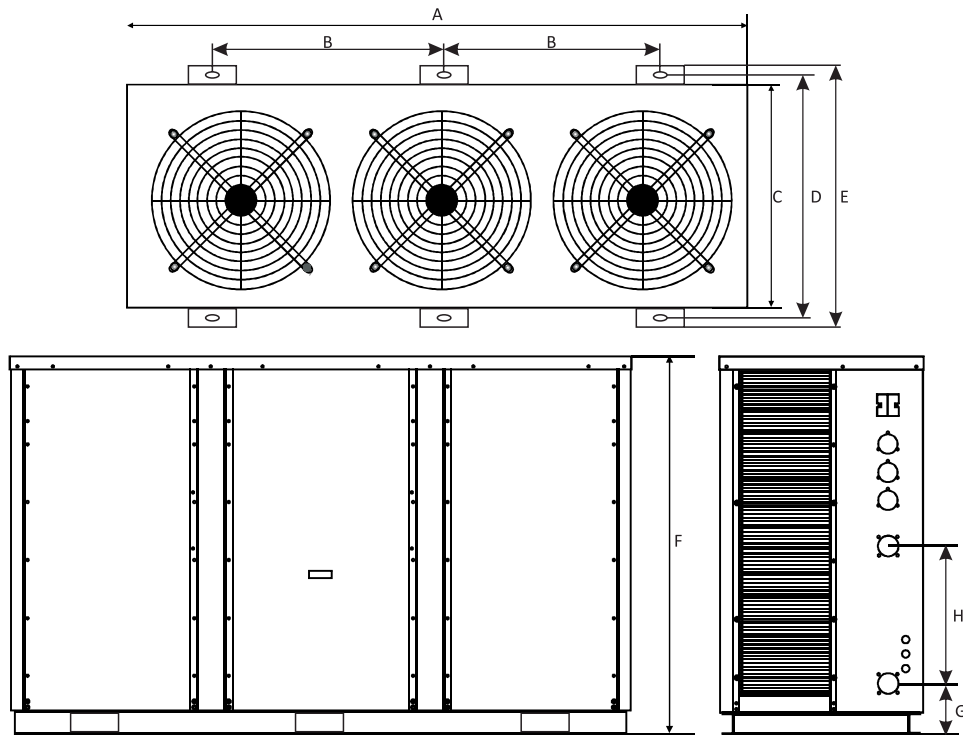
UNIT DIMENSIONS: PH



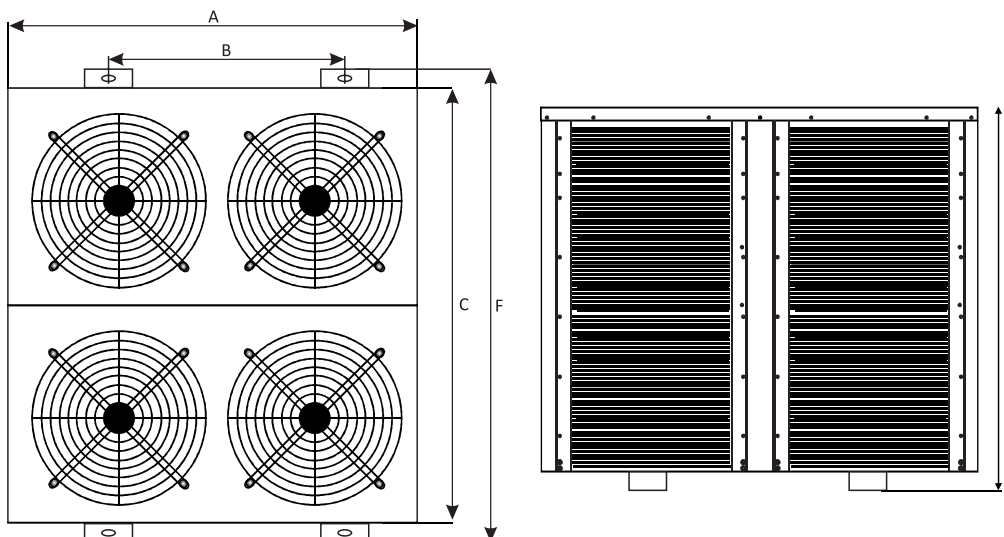
CODE	DIMENSIONS (mm)							
	A	B	C	D	E	F	G	H
PH-02620	666	445	688	125	696	95	330	737
PH-02625								
PH-02630	724	450	764	118	686	106	420	941
PH-02640								
PH-02650								
PH-02660								
PH-02670	800	582	810	114	810	121	380	1069
PH-02700	838	581	860	140	860	158	420	1284



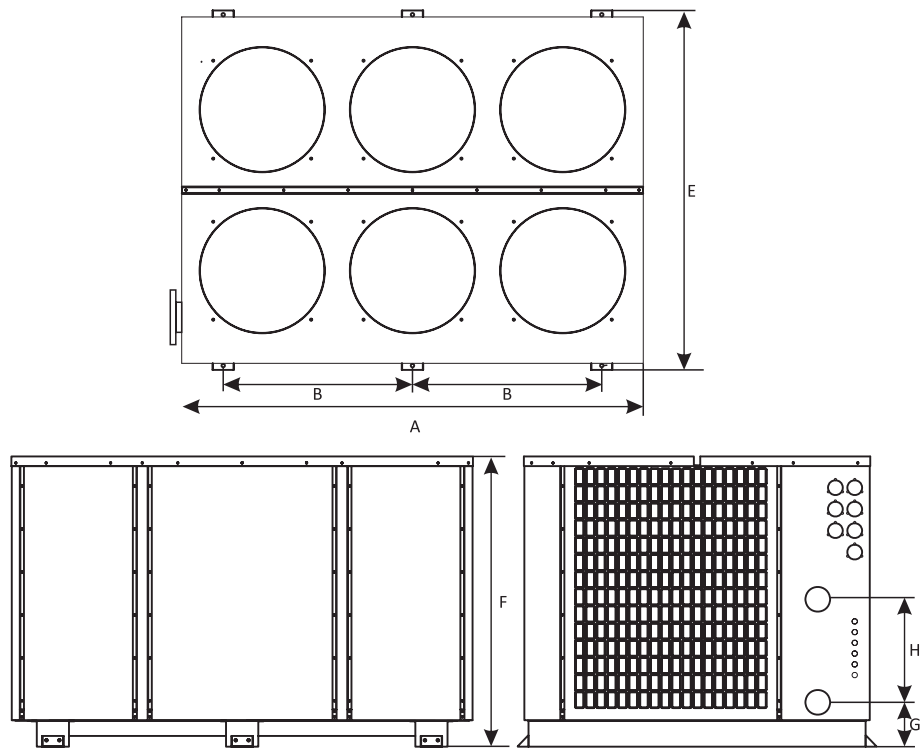
CODE	DIMENSIONS (mm)						
	A	B	C	D	E	F	G
PH-02710	1453	830	656	708	1084	130	420
PH-02712							
PH-02713	1453	830	656	708	1284	130	500



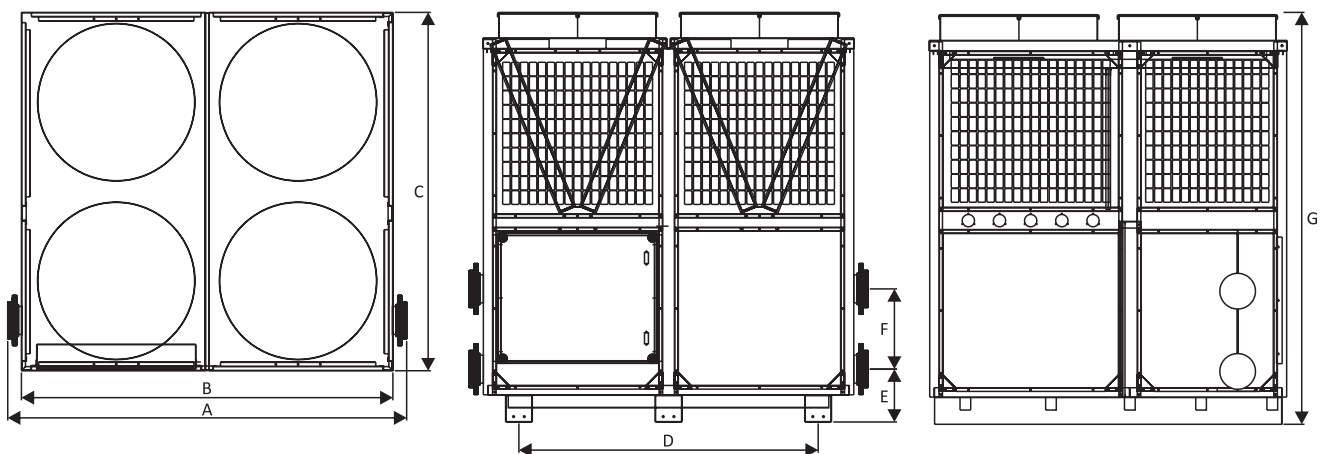
CODE	DIMENSIONS (mm)							
	A	B	C	D	E	F	G	H
PH-02714	2145	900	690	-	764	1306	169	500
PH-02715								



CODE	DIMENSIONS (mm)				
	A	B	C	D	E
PH-02720	1420	1100	1420	1578	310

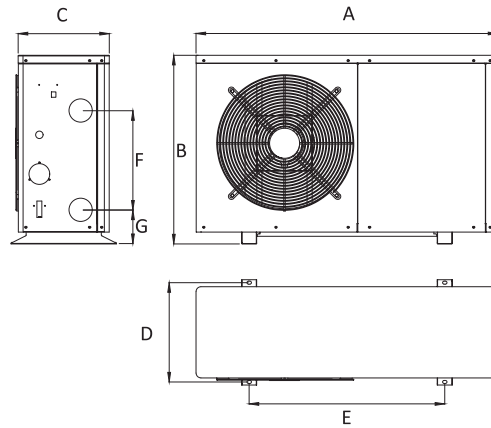


CODE	DIMENSIONS (mm)					
	A	B	E	F	G	H
PH-02730	2185	882	1767	1388	223	500
PH-02740						
PH-02750	2185	714	1767	1540	221	500
PH-02760						

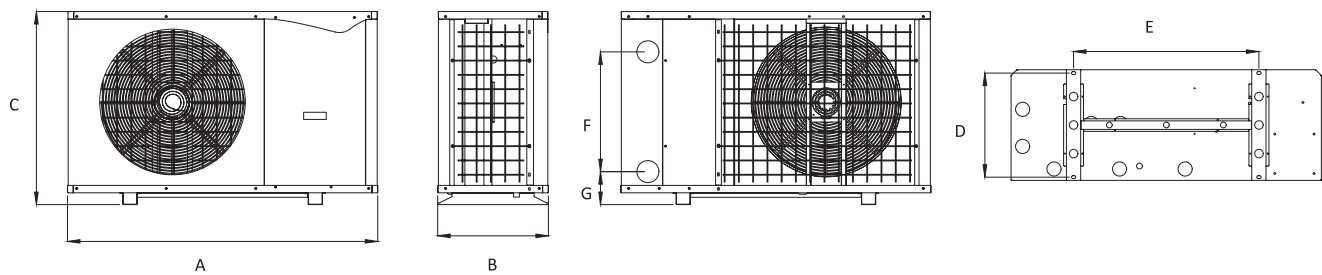


CODE	DIMENSIONS (mm)						
	A	B	C	D	E	F	G
PH-02770	2188	2086	2010	1680	297	450	2236
PH-02780	3281	3186	2188	2680	265	380	2236

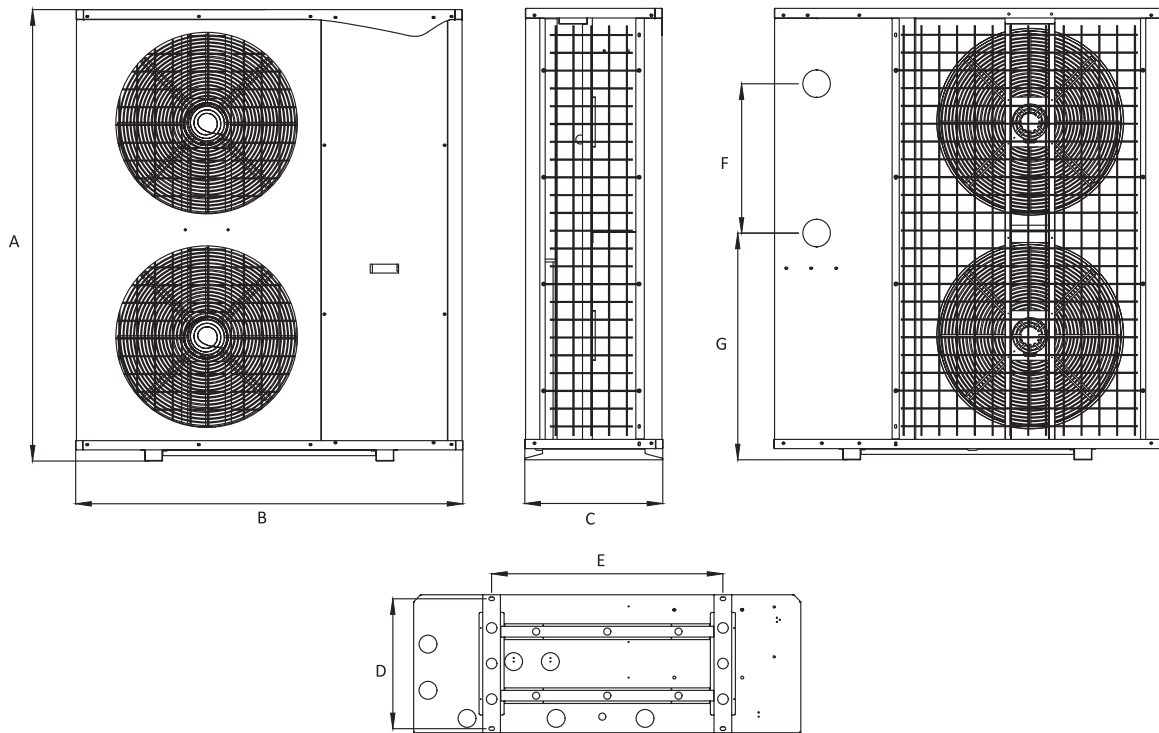
UNIT DIMENTIONS: PHFD



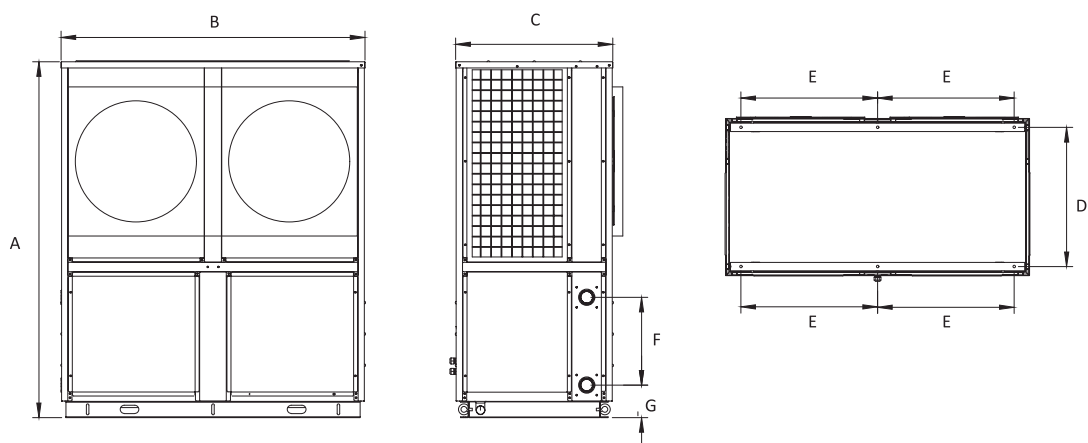
CODE	DIMENSIONS (mm)						
	A	B	C	D	E	F	G
PHFD-02610	932	515	303	355	--	330	111
PHFD-02615	1003	627	303	350	--	330	111
PHFD-02620							
PHFD-02625							



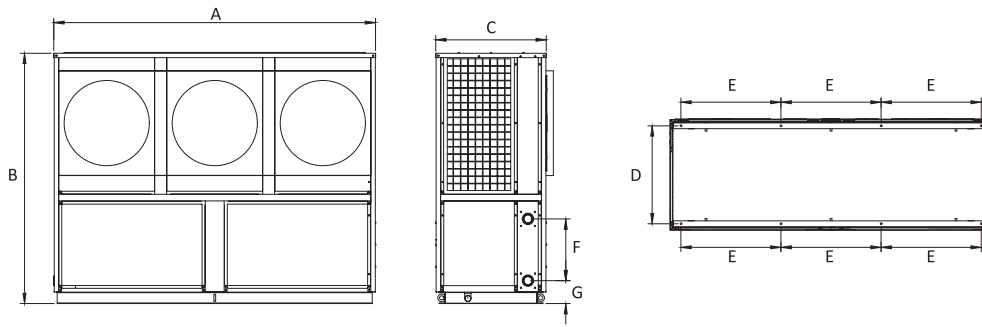
CODE	DIMENSIONS (mm)						
	A	B	C	D	E	F	G
PHFD-02630	1088	388	687	365	650	420	115
PHFD-02640	1088	388	987	368	650	500	115
PHFD-02650							



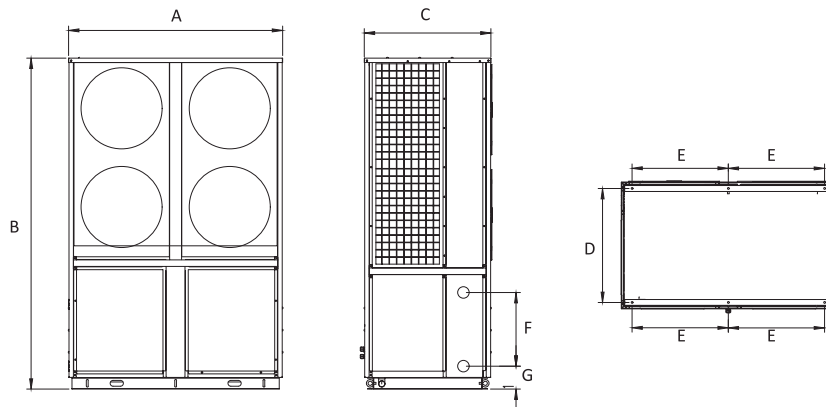
CODE	DIMENSIONS (mm)						
	A	B	C	D	E	F	G
PHFD-02660	1287	1088	388	365	650	420	637
PHFD-02670	1487	1088	388	365	650	420	687



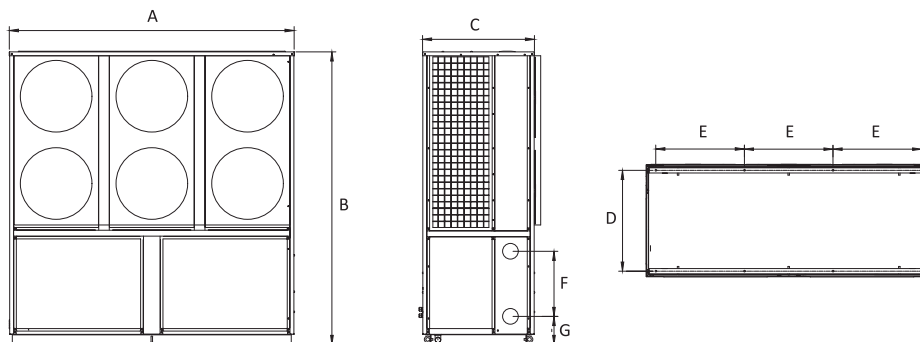
CODE	DIMENSIONS (mm)						
	A	B	C	D	E	F	G
PHFD-02710	1703	1454	752	666	654	420	156
PHFD-02712							
PHFD-02713							



CODE	DIMENSIONS (mm)						
	A	B	C	D	E	F	G
PHFD-02714	2188	1703	752	666	681	420	156
PHFD-02715							



CODE	DIMENSIONS (mm)						
	A	B	C	D	E	F	G
PHFD-02720	1454	2103	752	774	654	500	156

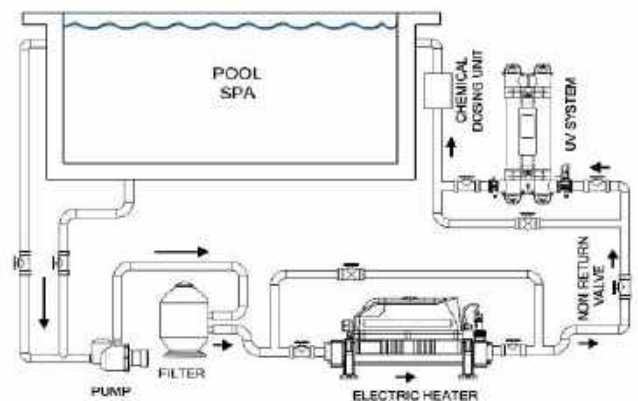


CODE	DIMENSIONS (mm)						
	A	B	C	D	E	F	G
PHFD-02730	2188	2248	860	774	681	500	216
PHFD-02740							

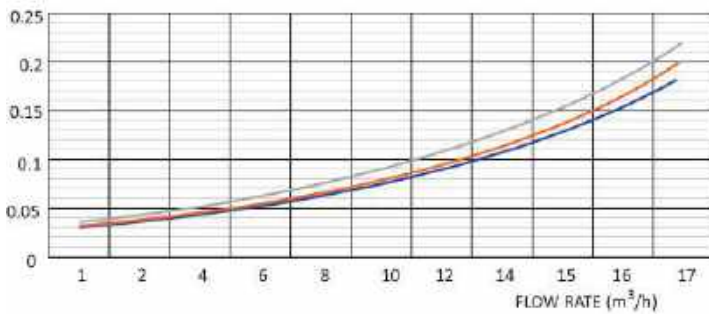
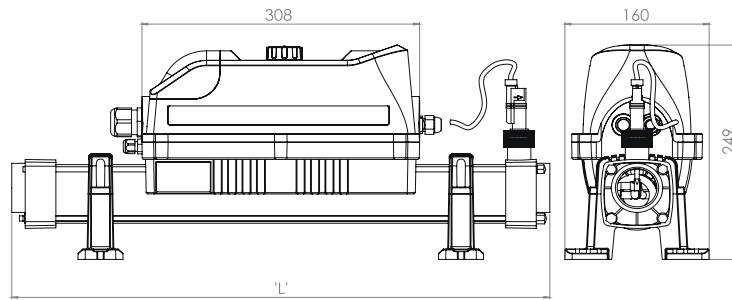
02 ELECRO EVOLUTION 2 ALL TITANIUM



- Ten power options ranging from 1-kW to 24-kW
- Easy installation, fully equipped and pre-wired
- Robust, durable construction
- Ultra-reliable flow switch allows safe operation
- Temperature thermostat and overheating sensor
- Compact, durable design
- Analogue control with 1.2°C differential or digital control With 0.5°C differential and selectable multi-lingual display
- Titanium flow tube and titanium heating element
- Can be floor or vertically wall mounted
- Vortex, long life, stay clean heating element technology
- 100% efficiency throughout the product life
- Silent operation



SPECIFICATIONS	
POWER SUPPLY	Single phase or three phase
FLOW REQUIREMENTS	Minimum flow: 2 kW to 6 kW, 1m ³ /h / Minimum flow: 9 kW to 24 kW, 4m ³ /h / Maximum flow: 17m ³ /h
HEATING ELEMENTS	Grade 1 titanium
FLOW TUBE	Grade 1 titanium
CONTROL THERMOSTAT	Analogue: 0 > 45°C (1.2°C differential) Digital: 0 > 45°C (0.5°C differential)
SAFETY THERMAL CUT OUT	60°C (Manual reset)
FLOW SWITCH	Gold tipped reed switch with titanium fulcrum pin
CONTACTOR	Siemens 3RT2023 or 3RT2027
SEALS	High temperature special formula EPDM ferrules, TPE end fitting gaskets
WATER CONNECTIONS	1.5" BSP female thread supplied with 1½"/50mm stepped ABS unions for rigid pipe and 1½"/1¼" stepped hose tails for flexible pipe
INGRESS PROTECTION RATING	IP 44
FREQUENCY	50/60 Hz
WORKING PRESSURE	4 bar maximum
MOUNTING	Floor or wall mounting



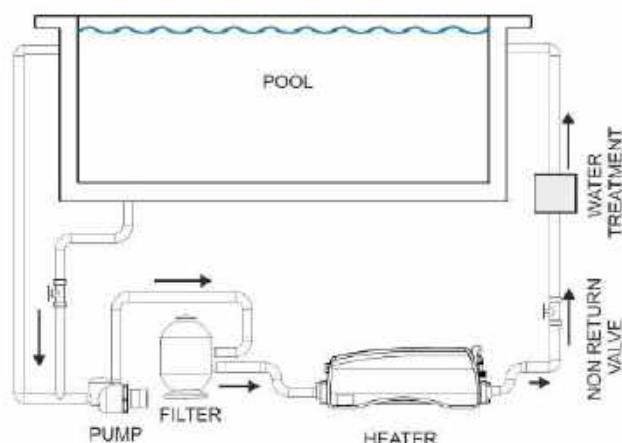
- UP TO 6-KW SINGLE PHASE
- 9 & 12-KW SINGLE PHASE
- 15 & 18-KW SINGLE PHASE & ALL 3-PHASE

CODE	POWER OUTPUT	CURRENT	LOAD	DIMENSIONS	PACKING	WEIGHT	VOLUME
	kW		Amp	L		kg	m ³
E2-1-1	1	220~240V Single phase	6	462	1	5.5	0.059
E2-1-2	2		9	462	1	5.5	0.059
E2-1-3	3		13	462	1	5.5	0.059
E2-1-4	4.5		20	462	1	5.5	0.059
E2-1-6	6		27	462	1	5.5	0.059
E2-1-9	9		40	462	1	5.8	0.059
E2-1-12	12		53	462	1	5.8	0.059
E2-1-15	15		66	462	1	6.6	0.059
E2-1-18	18		79	462	1	6.6	0.059
E2-V-6	6	230~400V Single/3 phase	27/9	592	1	6.6	0.059
E2-V-9	9		40/13	592	1	6.6	0.059
E2-V-12	12		53/18	592	1	6.6	0.059
E2-3-15	15	400V 3 phase	22	592	1	6.6	0.059
E2-3-18	18		26	592	1	6.6	0.059
E2-3-24	24		35	592	1	6.6	0.059
E2D-1-1	1	220~240V Single phase	6	592	1	6.6	0.059
E2D-1-2	2		9	592	1	6.6	0.059
E2D-1-3	3		13	592	1	6.6	0.059
E2D-1-4	4.5		20	592	1	6.6	0.059
E2D-1-6	6		27	592	1	6.6	0.059
E2D-1-9	9		40	592	1	6.6	0.059
E2D-1-12	12		53	592	1	6.6	0.059
E2D-1-15	15		66	592	1	6.6	0.059
E2D-1-18	18		79	592	1	6.6	0.059
E2D-V-6	6	230~400V Single/3 phase	27/9	592	1	6.6	0.059
E2D-V-9	9		40/13	592	1	6.6	0.059
E2D-V-12	12		53/18	592	1	6.6	0.059
E2D-3-15	15	400V 3 phase	22	592	1	6.6	0.059
E2D-3-18	18		26	592	1	6.6	0.059
E2D-3-24	24		35	592	1	6.6	0.059

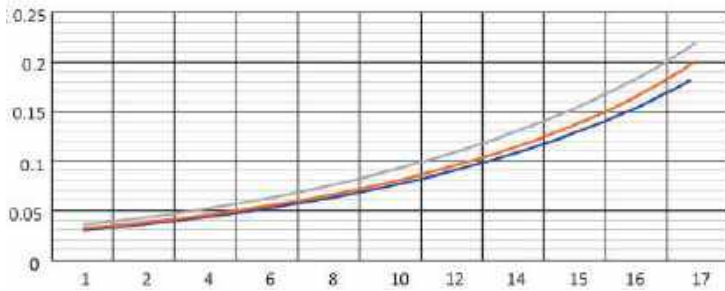
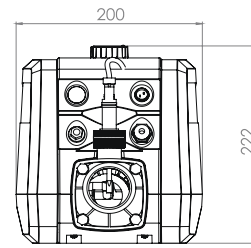
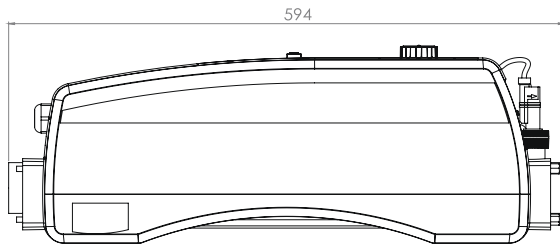
03 OPTIMA COMPACT POOL HEATER



- Nine power options ranging from 2-kW to 24-kW
- Easy installation, fully equipped and pre-wired
- Robust, durable construction
- Ultra-reliable flow switch allows safe operation
- Fitted with temperature thermostat and overheating sensor
- Compact, durable design
- Touchscreen control with soft-start for power supply protection
- Titanium flow tube and titanium heating element
- Can be floor or vertically wall mounted
- Vortex, long life, stay clean heating element technology
- 100% efficiency throughout the product life
- Silent operation



SPECIFICATIONS	
POWER SUPPLY	Single phase or three phase
FLOW REQUIREMENTS	Minimum flow: 2 kW to 6 kW, 1m ³ /h / Minimum flow: 9 kW to 24 kW, 4m ³ /h / Maximum flow: 17m ³ /h
HEATING ELEMENTS	Grade 1 titanium
FLOW TUBE	Grade 1 titanium
CONTROL THERMOSTAT	Touch Screen 0 > 45°C (0.5°C differential)
SAFETY THERMAL CUT OUT	60°C (Manual reset)
FLOW SWITCH	Gold tipped reed switch with titanium fulcrum pin
CONTACTOR	Siemens 3RT2023 or 3RT2027
SEALS	High temperature special formula EPDM ferrules, TPE end fitting gaskets
WATER CONNECTIONS	1.5" BSP female thread supplied with 1½"/50mm stepped ABS unions for rigid pipe and 1½"/1¼" stepped hose tails for flexible pipe
INGRESS PROTECTION RATING	IP 44
FREQUENCY	50/60 Hz
WORKING PRESSURE	4 bar maximum
MOUNTING	Floor or wall mounting



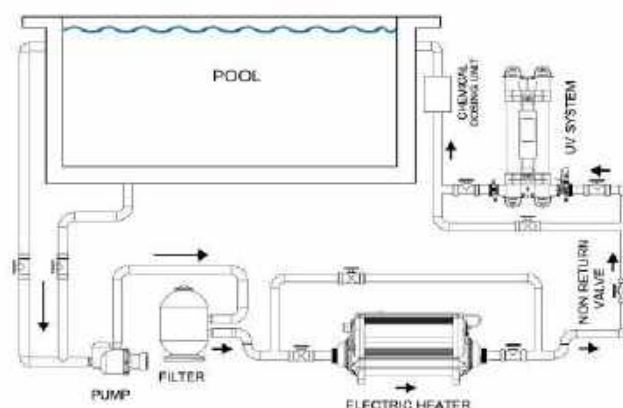
- UP TO 6-KW SINGLE PHASE
- 9 & 12-KW SINGLE PHASE
- 15 & 18-KW SINGLE PHASE & ALL 3-PHASE

CODE	POWER OUTPUT	CURRENT	LOAD	PACKING	WEIGHT	VOLUME
	kw		Amp		kg	
OCPD-1-2	2	220~240V Single phase	9	1	8.8	0.059
OCPD-1-3	3		13	1	8.8	0.059
OCPD-1-4	4.5		20	1	8.8	0.059
OCPD-1-6	6		27	1	8.8	0.059
OCPD-1-9	9		40	1	9.2	0.059
OCPD-1-12	12		53	1	9.2	0.059
OCPD-1-15	15		66	1	9.7	0.059
OCPD-1-18	18		79	1	9.7	0.059
OCPD-V-6	6		27/9	1	9.7	0.059
OCPD-V-9	9	230~400V Single/3 phase	40/13	1	9.7	0.059
OCPD-V-12	12		53/18	1	9.7	0.059
OCPD-3-15	15		22	1	9.7	0.059
OCPD-3-18	18	400V 3 phase	26	1	9.7	0.059
OCPD-3-24	24		35	1	9.7	0.059

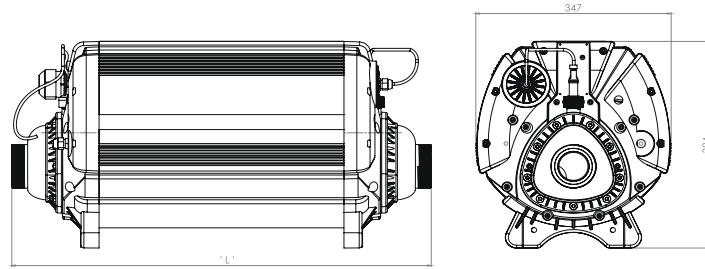
04 SFS JOEY



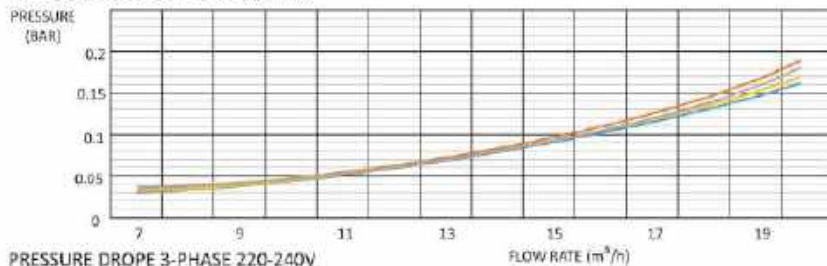
- Various power options ranging from 18-kW to 120-kW
- Easy installation, fully equipped and pre-wired
- Robust, durable construction
- Ultra-reliable flow switch allows safe operation
- Fitted with temperature thermostat and overheating sensor
- Compact, durable design
- Analogue control with 1.2°C differential or digital control with 0.5°C differential and selectable multi-lingual display
- Titanium flow tube and titanium heating element
- Can be floor or vertically wall mounted
- Vortex, long life, stay clean heating element technology
- 100% efficiency throughout the product life
- Silent operation



SPECIFICATIONS	
POWER SUPPLY	Single phase or three phase
FLOW REQUIREMENTS	Minimum flow: 7m ³ /h / Maximum flow: 15m ³ /h / Recommended flow: 8m ³ /h
HEATING ELEMENTS	Grade 1 titanium
FLOW TUBE	Grade 1 titanium
CONTROL THERMOSTAT	Analogue: 0 > 45°C (1.2°C differential)/Digital: 0 > 45°C (0.5°C differential)
SAFETY THERMAL CUT OUT	65°C safety thermal cut out (auto reset) against enclosure over-temperature 60°C safety thermal cut out (manual reset)
FLOW SWITCH	Gold tipped reed switch with titanium fulcrum pin
CONTACTOR	Cascade wired dual Siemens 3RT2023 or 3RT2027 for each element bank
SEALS	High temperature special formula EPDM ferrules, TPE end fitting gaskets
WATER CONNECTIONS	63mm spigot with 2"/63mm stepped ABS unions
INGRESS PROTECTION RATING	IP 44
FREQUENCY	50/60 Hz
WORKING PRESSURE	4 bar maximum
MOUNTING	Floor or wall mounting

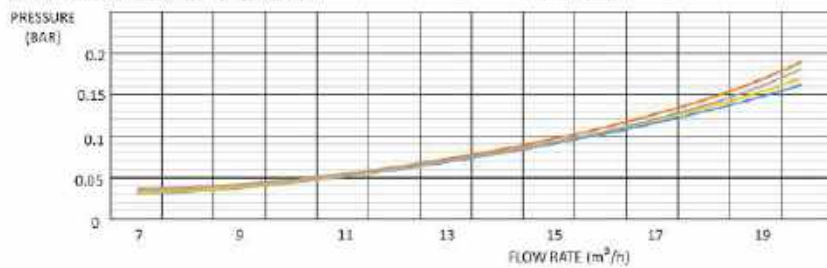


PRESSURE DROPE 3-PHASE 380-415V



- 18,24,30 & 36-KW
- 45,54,60 & 72 - KW
- 96-KW
- 120-KW

PRESSURE DROPE 3-PHASE 220-240V



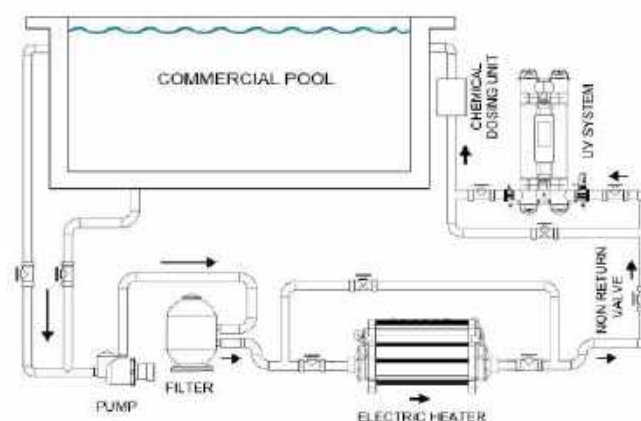
- 18,24,30 & 36-KW
- 45 & 54-KW
- 90 & 72-KW
- 90-KW

CODE	POWER OUTPUT	CURRENT	LOAD	DIMENSIONS	PACKING	WEIGHT	VOLUME
	kw		Amp	L		kg	m ³
SFS-18	18	400V 3 phase	26	699	1	26	0.20
SFS-24	24		35	699	1	26	0.20
SFS-30	30		44	699	1	26	0.20
SFS-36	36		53	699	1	26	0.20
SFS-45	45		66	699	1	28	0.20
SFS-54	54		79	699	1	28	0.20
SFS-60	60		87	699	1	28	0.20
SFS-72	72		105	699	1	28	0.20
SFS-96	96		139	1042	1	44	0.28
SFS-120	120		174	1042	1	44	0.28
SFSD-18	18		26	699	1	26	0.20
SFSD-24	24		35	699	1	26	0.20
SFSD-30	30		44	699	1	26	0.20
SFSD-36	36		53	699	1	26	0.20
SFSD-45	45		66	699	1	28	0.20
SFSD-54	54		79	699	1	28	0.20
SFSD-60	60		87	699	1	28	0.20
SFSD-72	72		105	699	1	28	0.20
SFSD-96	96		139	1042	1	44	0.28
SFSD-120	120		174	1042	1	44	0.28

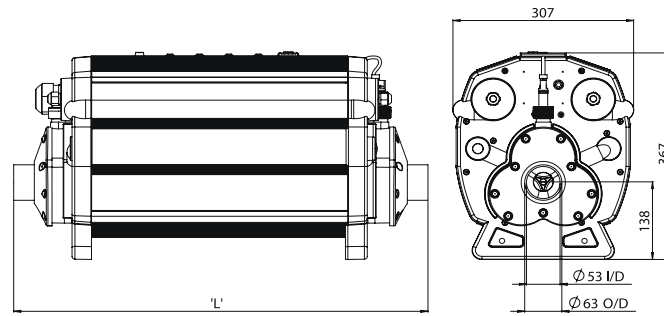
05 TITAN OPTIMA



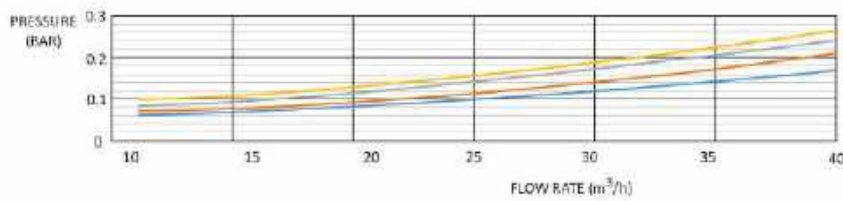
- Various power options ranging from 18-kW to 120-kW
- Easy installation, fully equipped and pre-wired
- Robust, durable construction
- Ultra-reliable flow switch allows safe operation
- Supplied with temperature thermostat and overheating sensor
- Compact, durable design
- Touchscreen control with soft-start for power supply protection
- Titanium flow tube and titanium heating element
- Can be floor or vertically wall mounted
- Vortex, long life, stay clean heating element technology
- 100% efficiency throughout the product life
- Silent operation



SPECIFICATIONS	
POWER SUPPLY	Single phase or three phase
FLOW REQUIREMENTS	Minimum flow: 12m ³ /h / Recommended flow: 30m ³ /h / Maximum flow: 45m ³ /h
HEATING ELEMENTS	Grade 1 titanium
FLOW TUBE	Grade 1 titanium
CONTROL THERMOSTAT	Touchscreen 0 > 45°C (0.5°C differential)
SAFETY THERMAL CUT OUT	65°C safety thermal cut out (auto reset) against enclosure over-temperature 60°C safety thermal cut out (manual reset)
FLOW SWITCH	Gold tipped reed switch with titanium fulcrum pin
CONTACTOR	Cascade wired dual Siemens 3RT2023 or 3RT2027 for each element bank
SEALS	High temperature special formula EPDM ferrules, TPE end fitting gaskets
WATER CONNECTIONS	63mm spigot with 2"/63mm stepped ABS unions
INGRESS PROTECTION RATING	IP 44
FREQUENCY	50/60 Hz
WORKING PRESSURE	4 bar maximum
MOUNTING	Floor or wall mounting

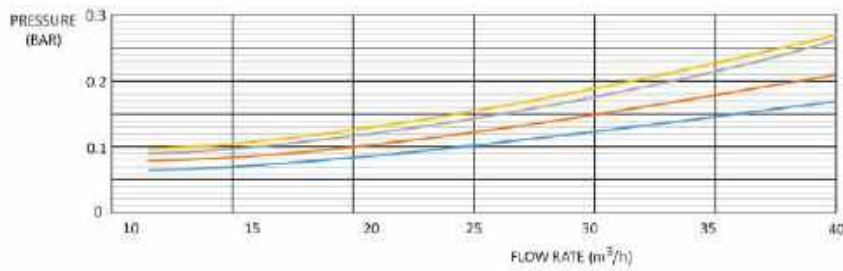


PRESSURE DROPE 3-PHASE 380-415V



- 18,24,30 & 36-KW
- 45,54,60 & 72 - KW
- 96-KW
- 120-KW

PRESSURE DROPE 3-PHASE 220-240V



- 18,24,30 & 36-KW
- 45 & 54-KW
- 90 & 72-KW
- 90-KW

CODE	POWER OUTPUT	CURRENT	LOAD	DIMENSIONS	PACKING	WEIGHT	VOLUME
	kW		Amp	L		kg	m ³
CP-TS-18	18	400V 3 phase	26	699	1	25.8	0.20
CP-TS-24	24		35	699	1	25.8	0.20
CP-TS-30	30		44	699	1	25.8	0.20
CP-TS-36	36		53	699	1	25.8	0.20
CP-TS-45	45		66	699	1	28.0	0.20
CP-TS-54	54		79	699	1	28.0	0.20
CP-TS-60	60		87	699	1	28.0	0.20
CP-TS-72	72		105	699	1	28.0	0.20
CP-TS-96	96		139	1042	1	43.8	0.28
CP-TS-120	120		174	1042	1	43.8	0.28

06 POOL SMART PLUS



Touchscreen Heating Controller for swimming pools, comes with flow switch and temperature sensor for accurate monitoring and maintaining water temperature.

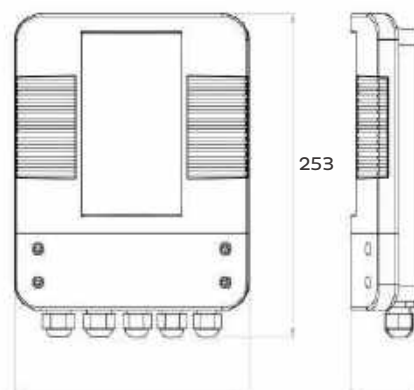
- Smart touchscreen display
- BMS (Building Management System) Integration Ready
- Multi-lingual interface
- Programmable 24-hour time clock (4 time zones)
- Flow and temperature sensor ports
- Accurate control to 0.5°C
- Diagnostic display



T-PIECE



50MM AND 1.5 " REDUCERS



180

253

55

SPECIFICATIONS	
POWER SUPPLY	Single phase 100-240V
AVAILABLE MODELS	Heating only
CONTROL THERMOSTAT	Digital: 0 > 45°C (0.5°C differential)
TEMPERATURE SENSOR	3 metre long (thermistor 103AT-2, R25=10K B=3435K)
FLOW SWITCH	3 metre long with gold tipped reed switch with titanium fulcrum pin
INGRESS PROTECTION RATING	IP 44
FREQUENCY	50/60Hz
MOUNTING	Wall mounting

CODE	DESCRIPTION	OUTPUTS	ACCESSORIES	PACKING	WEIGHT	VOLUME
					kg	m ³
PSPC-POOL	Pool heating controller	Volt free heating output Volt free filtration pump output	3 meter long flow switch 3 meter long temperature sensor T-piece with 50mm and 1.5" reducers	1	1.6	0.013

07 HEAT SMART & KOOL SMART PLUS



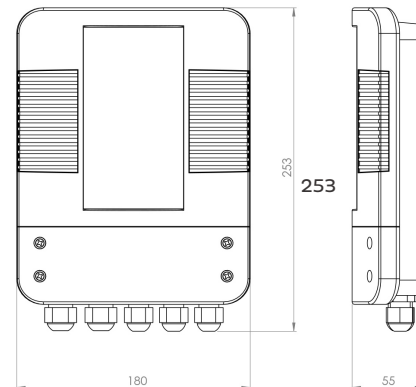
- Smart touchscreen display
- BMS (Building Management System) Integration Ready
- Multi-lingual interface
- Programmable 24-hour time clock (4 time zones)
- Flow and temperature sensor ports
- Accurate control to 0.5°C
- Diagnostic display



GRUNDFOS BUSTER PUMP



FLOW SWITCH AND TEMPERATURE SENSOR



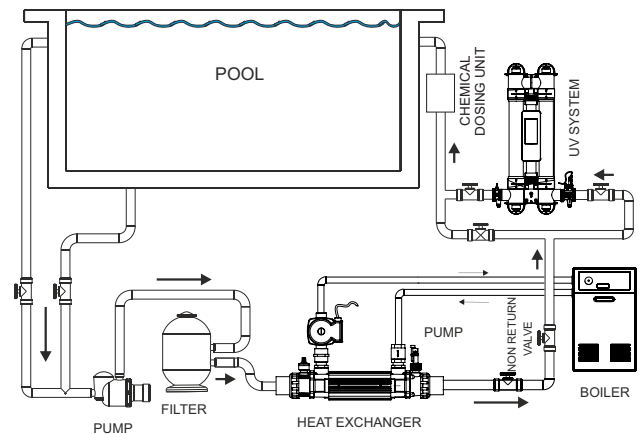
SPECIFICATIONS	
POWER SUPPLY	Single phase 100-240V
AVAILABLE MODELS	Heating only /Cooling only
CONTROL THERMOSTAT	Digital: 0 > 45°C (0.5°C differential)
TEMPERATURE SENSOR	1 metre long (thermistor 103AT-2, R25=10K B=3435K)
FLOW SWITCH	Gold tipped reed switch with titanium fulcrum pin
INGRESS PROTECTION RATING	IP 44
FREQUENCY	50/60Hz
MOUNTING	Wall mounting
OPTIONAL ACCESSORIES	Grundfos Booster Pump

CODE	DESCRIPTION	OUTPUTS	ACCESSORIES	PACKING	WEIGHT	VOLUME
					kg	m ³
PSPC-HE	Heat exchanger controller	Volt free heating output Volt free filtration pump output 220-240V Booster Pump output	1 metre long flow switch 1 metre long temperature sensor	1	1.6	0.013
PSPC-HE-GP	Heat exchanger controller		Grundfos Booster Pump 1 metre long flow switch 1 metre long temperature sensor	1	3.5	0.021
KSPC-HE	Heat exchanger controller	Volt free heating output Volt free alarm pump output	1 metre long flow switch 1 metre long temperature sensor	1	1.6	0.013
KSPC-HE-GP	Heat exchanger controller		Grundfos Booster Pump 1 metre long flow switch 1 metre long temperature sensor	1	3.5	0.021

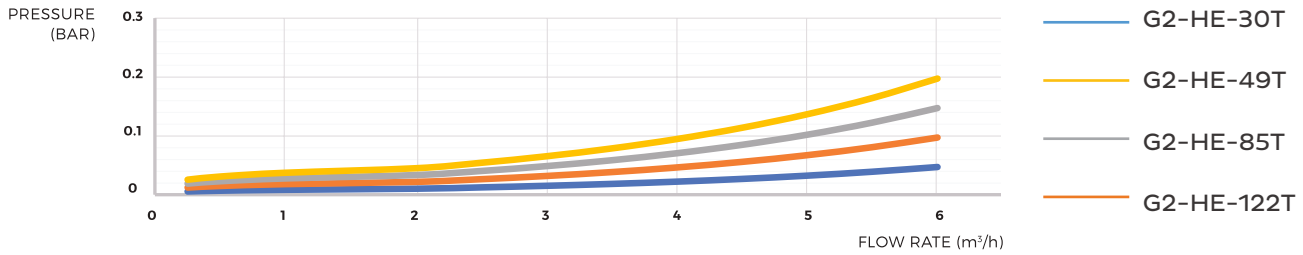
08 G2 HEAT EXCHANGER



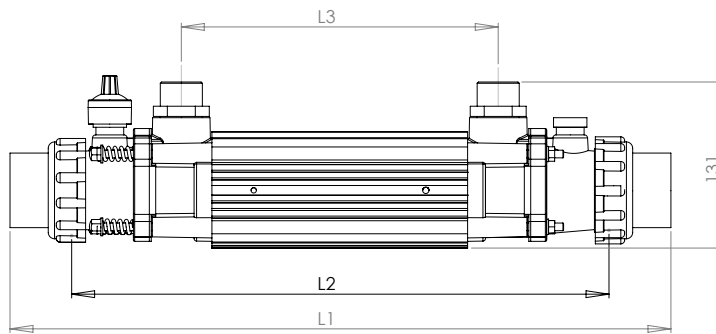
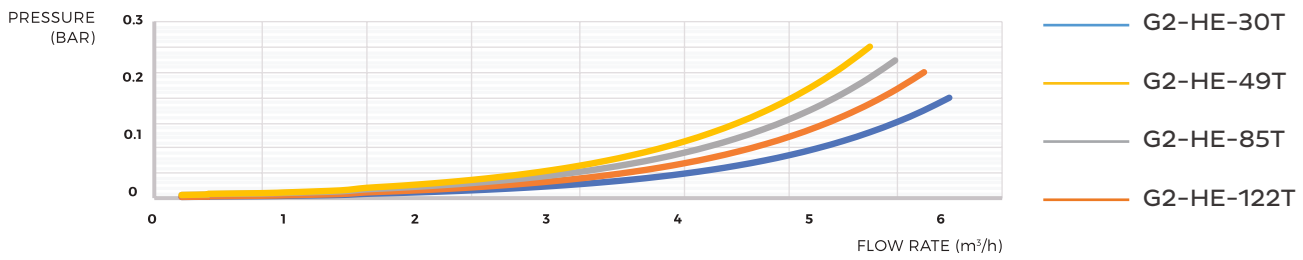
- The G2 Heat Exchanger is manufactured from top quality components and materials.
- Robust, durable construction.
- Titanium tube bundle - salt and sea water safe
- BS 316L Stainless Steel shell with special polyamide fittings
- Wall mountable (bracket supplied)
- Available with fully equipped Analogue or Digital control (optional).
- The heat exchanger construction gives a vast heat transfer surface area, consisting of a densely populated multi-tubular bundle, secured by the uniquely designed polyamiderubber tube sheet.
- The heat exchanger shell is constructed from BS 316L Stainless Steel enclosed by a rigid thermal shell for enhanced insulation of the primary (HOT) water, enabling even greater heat transfer; this is capped at each end with primary and secondary moulded fittings manufactured from specially formulated polymer alloy material.
- The standard G2 heat exchanger is supplied complete with:
 - 2 x 1" male/male Brass Primary connections.
 - 1 x 1" Non-Return Valve.
 - Titanium thermostat pocket.
 - 1 x Blanking Cap and Gasket (for non-thermostat side).
- The G2 Heat Exchanger has been designed to allow the installation engineer to select which way to plumb the primary and secondary water to achieve maximum thermal gain; this is achieved by routing the primary flow in an opposing direction to the secondary (POOL) water.
- The G2 heat exchanger is installed in the pool filtration circuit from which water passes through the tube side of the exchanger. Water from the primary heating circuit flows counter-current through the shell side of the exchanger, heating the swimming pool water. Ideal for use with gas or oil fired boiler circuits, solar panels, heat pumps or chillers.
- Tube bundle: Pure titanium.
- Water connections:
 - Primary 1" BSP male (brass fittings supplied).
 - Secondary (POOL): 1.5" or 50 mm NB adapters for connection to PVC or ABS pipe.
- Working pressure: 4 bar maximum.



PRESSURE DROP SECONDARY CIRCUIT



PRESSURE DROP PRIMARY CIRCUIT



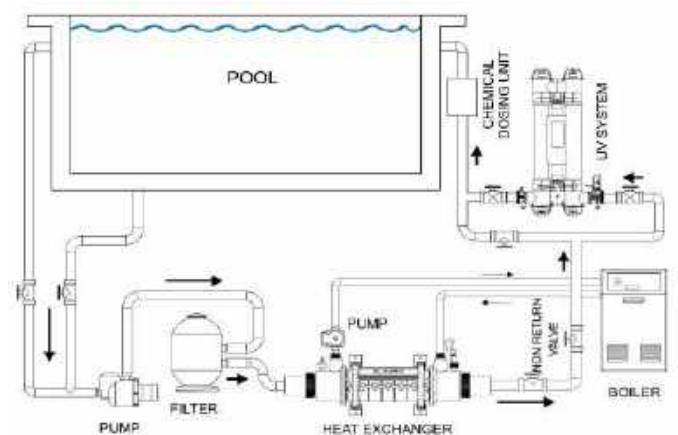
CODE	STANDARD POWER OUTPUT		DIMENSIONS			PACKING	WEIGHT	VOLUME
	kW	BTU	L1	L2	L3		kg	m ³
G2-HE-30T	30	102K	540	426	247	1	3.9	0.016
G2-HE-49T	49	167K	710	596	417	1	5.0	0.021
G2-HE-85T	85	290K	840	726	547	1	6.3	0.026
G2-HE-122T	122	416K	1000	886	707	1	7.6	0.037

CODE	PRIMARY (HOT) FLOW	PRIMARY (HOT) HEAD LOSS	SECOND-ARY (POOL) FLOW	SECOND-ARY (POOL) HEAD LOSS	ΔT 15°C	ΔT 20°C	ΔT 30°C	ΔT 40°C	ΔT 50°C	ΔT 60°C	ΔT 70°C
	m ³	kPa	m ³	m ³	kW	kW	kW	kW	kW	kW	kW
G2-HE-30T	1.1	6.1	10	5	9	11	16	20	26	30	33
	1.3	6.8	10	5	10	13	18	23	31	34	39
	1.3	6.8	14	7	11	15	20	26	34	41	46
G2-HE-49T	1.6	7.7	16	9.2	13	18	25	33	41	50	56
	1.8	8.3	16	9.2	14	20	28	38	45	55	62
	2.2	9.3	17	9.8	16	22	33	44	52	64	73
G2-HE-85T	2.4	11.3	17	10.6	22	28	40	53	64	75	81
	2.7	12.9	17	10.6	26	32	46	60	73	82	89
	3.2	14.7	17	10.6	28	34	49	64	77	90	102
G2-HE-122T	3.8	18.3	19	12.6	33	43	68	75	93	108	120
	4.2	20	19	12.6	36	48	70	89	108	126	143
	4.6	21.1	19	12.6	38	53	73	95	116	137	156

09 SST HEAT EXCHANGER

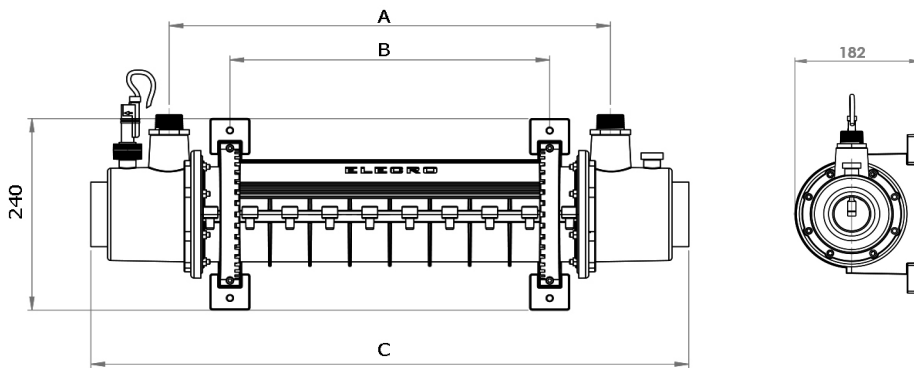


- Four models ranging from 36-kW to 95-kW
- Special formulated polymer
- Coiled titanium primary casing
- Salt and sea water compatible
- 30 bar (primary) and 3 bar (secondary) pressure tolerance
- Low pressure drop
- With optional Smart Touchscreen Controller & Booster Pump
- Temperature and flow sensor port
- Floor or wall mountable

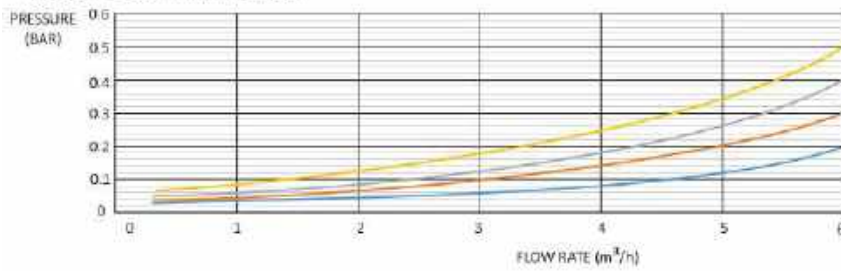


PRIMARY CIRCUIT	
FLOW TUBE	COILED TITANIUM
WATER CONNECTIONS	1" BSP MALE FITTING
FLOW TUBE	30 BAR MAXIMUM

SECONDARY CIRCUIT	
FLOW TUBE	SPECIAL FORMULATED POLYMER
WATER CONNECTIONS	21/2"/63 MM STEPPED ABS UNIONS FOR RIGID PIPE CONNECTION WITH 1/1/2"/50MM REDUCERS
FLOW TUBE	30 BAR MAXIMUM

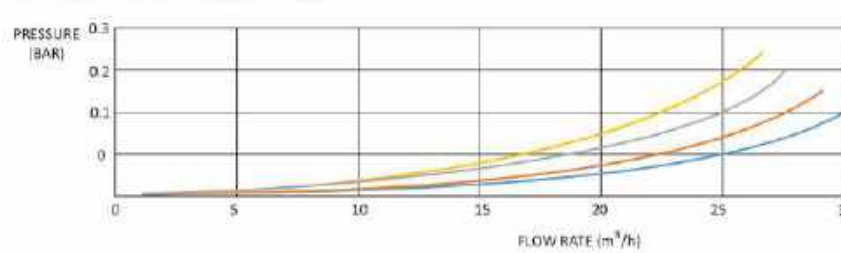


PRESSURE DROP PRIMARY CIRCUIT



- SST-36
- SST-50
- SST-75
- SST-95

PRESSURE DROP SECONDARY CIRCUIT



- SST-36
- SST-50
- SST-75
- SST-95

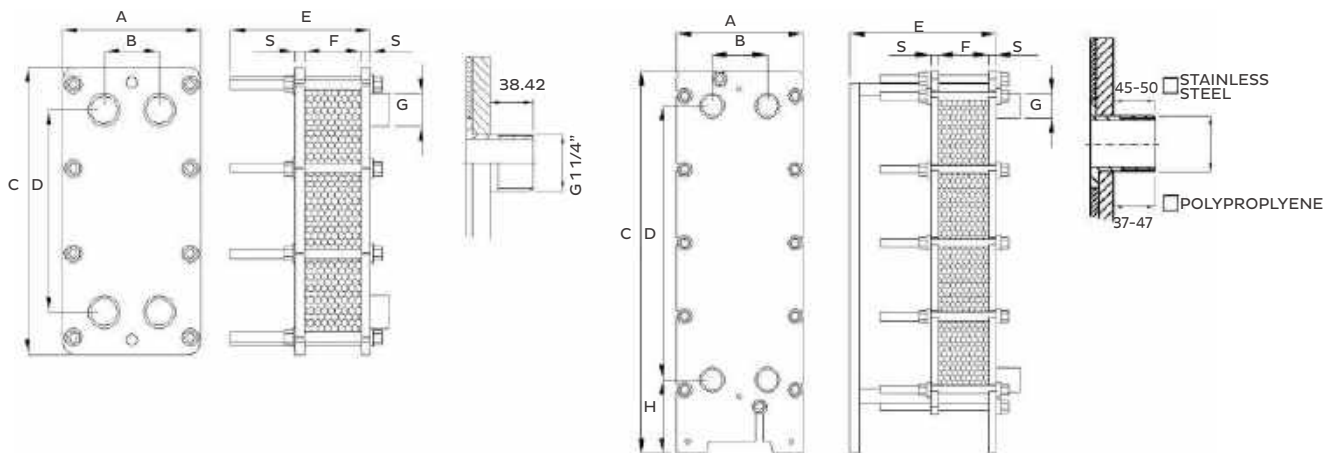
CODE	STANDARD POWER OUTPUT		DIMENSIONS			PACKING	WEIGHT	VOLUME
	kW	BTU	A	B	C		kg	m ³
SST-36	36	123	290	143	478	1	5.8	0.055
SST-50	50	171	386	240	574	1	6.4	0.055
SST-75	75	256	530	384	718	1	7.6	0.075
SST-95	95	324	674	528	862	1	8.7	0.075

CODE	PRIMARY (HOT) FLOW	PRIMARY (HOT) HEAD LOSS	SECONDARY (POOL) FLOW	SECONDARY (POOL) HEAD LOSS	ΔT 50°C	ΔT 60°C	ΔT 70°C
	m ³	kPa	m ³	m ³	kW	kW	kW
SST-36	1.1	6.1	12	5.0	26	30	33
SST-50	2.5	6.8	15	5.0	31	34	39
SST-75	2.7	6.8	18	5.0	34	41	46
SST-95	3.2	7.7	18	5.0	41	50	56

10 PLATE HEAT EXCHANGER



- High overall heat transfer coefficient
- Compact design gives maximum surface area to material volume without compromising mechanical robustness
- High performance with low hold-up volume
Versatile, modular design
- Plate and gasket materials available to suit most fluid types
- Easy dismantling for rapid cleaning



DIMENSION (mm)	A	B	C	D	E	F	G	H	S
PHE100-TI	204	86	490	381	116	39.75	DN32	0	14/12
PHE140-TI	204	86	490	381	116	50.35	DN32	0	14/12
PHE180-TI	204	86	490	381	141	66.25	DN32	0	14/12
PHE240-TI	204	86	490	381	191	92.75	DN32	0	14/12
PHE290-TI	204	86	490	381	191	103.35	DN32	0	14/12
PHE330-TI	204	86	490	381	241	129.85	DN32	0	14/12
PHE370-TI	204	86	490	381	291	140.45	DN32	0	14/12
PHE410-TI	204	86	490	381	291	151.05	DN32	0	14/12
PHE450-TI	312	140	963	690	447	66.5	DN65	185	20/20
PHE500-TI	312	140	963	690	447	87.5	DN65	185	20/20
PHE550-TI	312	140	963	690	447	94.5	DN65	185	20/20
PHE610-TI	312	140	963	690	447	101.5	DN65	185	20/20
PHE670-TI	312	140	963	690	447	115.5	DN65	185	20/20
PHE730-TI	312	140	963	690	447	122.5	DN65	185	20/20
PHE780-TI	312	140	963	690	447	129.5	DN65	185	20/20
PHE820-TI	312	140	963	690	447	136.5	DN65	185	20/20

SPECIFICATIONS

PROCESS DATA (HOT SIDE)	PHE100-TI	PHE140-TI	PHE180-TI	PHE240-TI	PHE290-TI	PHE330-TI	PHE370-TI	PHE410-TI
TEMP(IN)°C	90	90	90	90	90	90	90	90
TEMP(OUT)°C	70	70	70	70	70	70	70	70
FLOW RATE (M/H)	4.52	6.20	7.88	10.71	12.70	14.70	16.38	18.33
PRESSURE DROP (KPA)	22.11	25.54	24.50	25.04	26.62	25.55	27.18	29.57

PROCESS DATA (COLD SIDE)	PHE100-TI	PHE140-TI	PHE180-TI	PHE240-TI	PHE290-TI	PHE330-TI	PHE370-TI	PHE410-TI
TEMP(IN)°C	20	20	20	20	20	20	20	20
TEMP(OUT)°C	35	35	35	35	35	35	35	35
FLOW RATE (M/H)	5.88	8.07	10.26	13.94	16.54	19.13	21.32	23.86
PRESSURE DROP (KPA)	42.19	48.65	46.48	47.13	49.91	47.51	50.36	54.59
DELTA T LOG MEAN (C)	52.46	52.46	52.46	52.46	52.46	52.46	52.46	52.46
HEAT EXCHANGES (KW)	102	140	178	242	287	332	370	414

CONSTRUCTION DATA	PHE100-TI	PHE140-TI	PHE180-TI	PHE240-TI	PHE290-TI	PHE330-TI	PHE370-TI	PHE410-TI
HEAT TRANSFER AREA (M)	0.624	0.816	1.104	1.584	1.776	2.256	2.448	2.640
OVER SURFACING (%)	121.48	118.57	126.71	133.98	128.42	139.15	136.47	132.69
OVERALL K SERVICE(W/MC)	3114.33	3268.79	3071.85	2910.78	3078.84	2803.80	2879.64	2987.76
FOULING F (MC/KW)	0	0	0	0	0	0	0	0
PLATES THICKNESS (MM)	0.5	0.5	0.5	0.5	0.5	0.5	0.5	0.5
OVERALL K CLEAN(W/MC)	6897.51	7144.68	6964.29	6813.72	7032.83	6705.26	6809.54	6952.19
WEIGHT EMPTY (KG)	29	30	32	35	36	39	40	41
WEIGHT FULL (KG)	30.778	32.346	34.698	38.618	40.186	44.106	45.674	47.242
VOLUME HOT SIDE (L)	0.714	0.918	1.224	1.734	1.938	2.448	2.652	2.856
VOLUME COLD SIDE (L)	0.714	0.918	1.224	1.734	1.938	2.448	2.62	2.856
NO. SERIES PASS HOT SIDE	1	1	1	1	1	1	1	1
NO. SERIES PASS COLD SIDE	1	1	1	1	1	1	1	1
NO. PARALLEL PASSES HOT SIDE	7	9	12	17	19	24	26	28
NO. PARALLEL PASSES COLD SIDE	7	9	12	17	19	24	26	28

SPECIFICATIONS

PROCESS DATA (HOT SIDE)	PHE450-TI	PHE500-TI	PHE550-TI	PHE610-TI	PHE670-TI	PHE730-TI	PHE780-TI	PHE820-TI
TEMP(IN)°C	90	90	90	90	90	90	90	90
TEMP(OUT)°C	70	70	70	70	70	70	70	70
FLOW RATE (M/H)	19.74	22.31	24.17	26.96	29.75	32.54	34.40	36.25
PRESSURE DROP (KPA)	23.28	21.45	21.85	22.51	23.26	22.72	23.21	23.73

PROCESS DATA (COLD SIDE)	PHE450-TI	PHE500-TI	PHE550-TI	PHE610-TI	PHE670-TI	PHE730-TI	PHE780-TI	PHE820-TI
TEMP(IN)°C	20	20	20	20	20	20	20	20
TEMP(OUT)°C	35	35	35	35	35	35	35	35
FLOW RATE (M/H)	25.70	29.04	31.46	35.06	38.72	42.35	44.77	47.19
PRESSURE DROP (KPA)	50.06	45.73	46.43	47.64	48.88	47.53	48.36	49.24
DELTA T LOG MEAN (C)	52.46	52.46	52.46	52.46	52.46	52.46	52.46	52.46
HEAT EXCHANGES (KW)	446	504	546	609	672	735	777	819

CONSTRUCTION DATA	PHE450-TI	PHE500-TI	PHE550-TI	PHE610-TI	PHE670-TI	PHE730-TI	PHE780-TI	PHE820-TI
HEAT TRANSFER AREA (M)	2.873	3.887	4.225	4.563	5.239	5.577	5.915	6.253
OVER SURFACING (%)	95.43	114.26	114.95	112.11	116.59	114.10	114.62	115.09
OVERALL K SERVICE(W/MC)	2957.66	2470.38	2462.15	2542.82	2443.82	2510.93	2502.74	2495.42
FOULING F (MC/KW)	0	0	0	0	0	0	0	0
PLATES THICKNESS (MM)	0.5	0.5	0.5	0.5	0.5	0.5	0.5	0.5
OVERALL K CLEAN(W/MC)	5780.09	5293.03	5293.03	5393.57	5293.03	5375.97	5371.40	5367.30
WEIGHT EMPTY (KG)	150	155	156	158	161	163	164	166
WEIGHT FULL (KG)	157.85	165.20	167.65	170.10	175.00	177.45	179.90	182.35
VOLUME HOT SIDE (L)	3.825	5.100	5.525	5.950	6.800	7.225	7.650	8.075
VOLUME COLD SIDE (L)	3.825	5.100	5.525	5.950	6.800	7.225	7.650	8.075
NO. SERIES PASS HOT SIDE	1	1	1	1	1	1	1	1
NO. SERIES PASS COLD SIDE	1	1	1	1	1	1	1	1
NO. PARALLEL PASSES HOT SIDE	9	12	13	14	16	17	18	19
NO. PARALLEL PASSES COLD SIDE	9	12	13	14	16	17	18	19

11 AQUA POOL DEHUMIDIFIERS WITH HEATING & COOLING FUNCTION



AQUA Indoor Environmental Control Systems provide effective control of damaging moisture common with indoor pool facilities. They maintain a delicate balance of humidity control and manage air and water temperatures for maximum comfort at the lowest cost. This series uses heat pump technology to dehumidify the space and recycle the waste energy to heat both the air and pool water. They are available in many sizes and a variety of configurations for large indoor pools found in hotels, schools, natatoriums, aquatic centers and water parks.

BUILT FOR THE CORROSIVE POOL ENVIRONMENT

AQUA dehumidifiers have many special design features to minimize maintenance and extend the life of the unit. All critical components are located out of the corrosive air stream, and coils are constructed from all copper and coated aluminum fins for long life. AQUA uses full-size air/water condensers for maximum pool and air heating or cooling. It utilizes a sophisticated controller that offers high efficient control strategies for more efficient intelligent pool operation. All units are constructed of heavy-gauge steel with side and roof panels galvanized and epoxy powder coated to resist corrosion. Panel insulation provides additional energy efficiency along with sound control for indoor and outdoor installations.

RECYCLED ENERGY LESSENS THE NEED FOR FOSSIL FUEL HEATING

Indoor pools demand large quantities of heat to maintain space and water comfort conditions. Rather than relying on fossil fuel as the primary heat source, AQUA units utilize waste heat generated during dehumidification to heat the space and pool water. AQUA units return much more energy than they use with average recorded savings ranging from 40% to 60% over conventional outside air dilution systems. For every kilowatt of electrical power used to operate AQUA system, five kilowatts of heat are delivered to the natatorium and water. friendly interface
- Self diagnosis

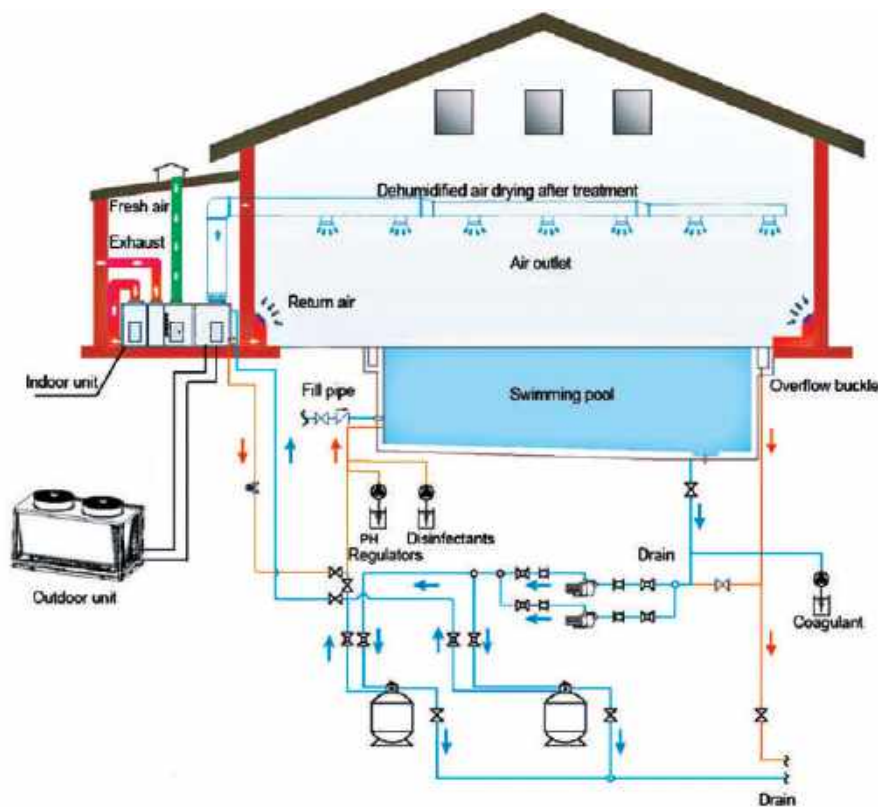


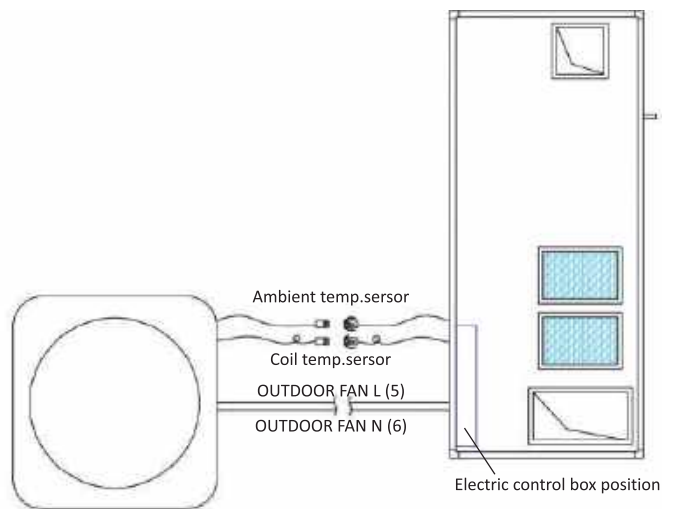
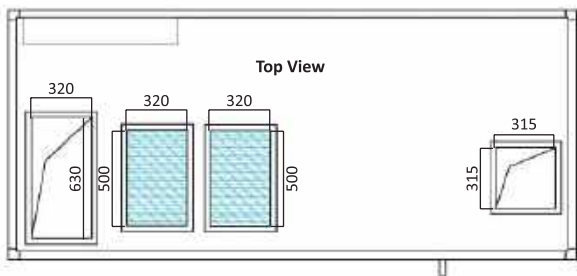
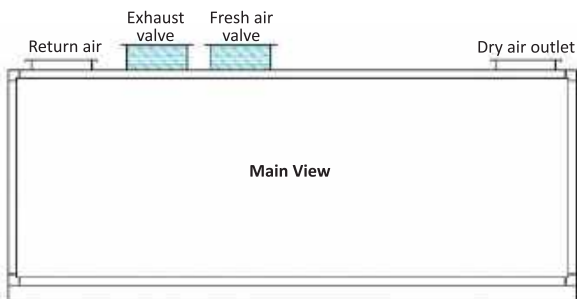
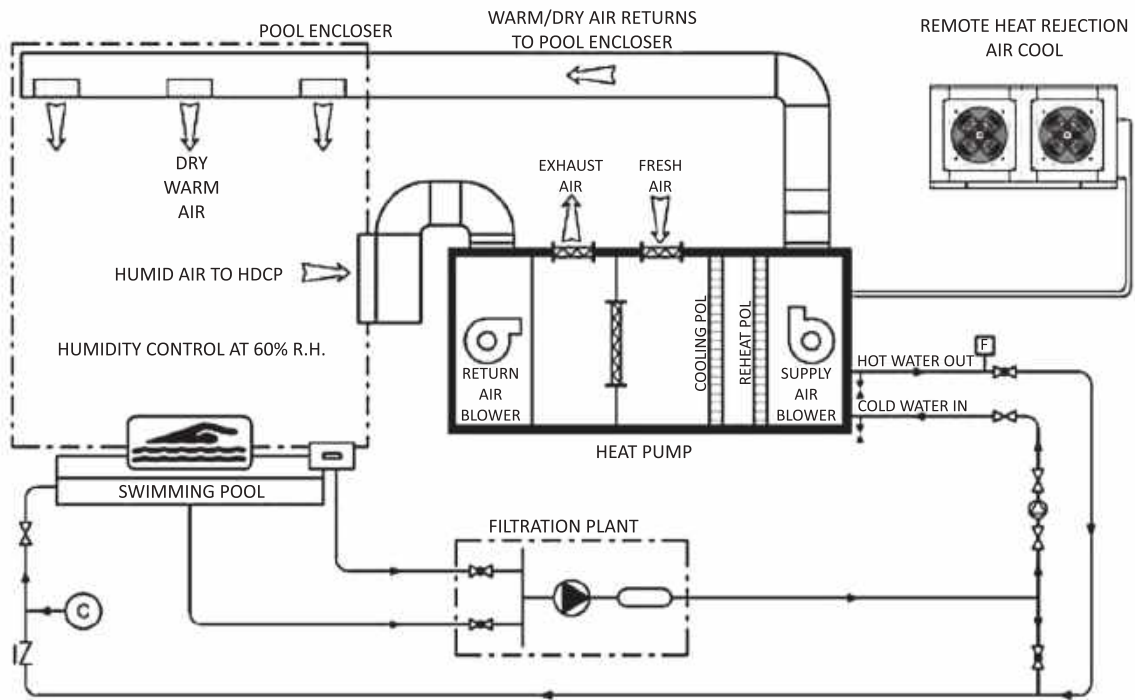
- Room hygrostat and thermostat.
- Automatically switches mode from heat to cool.
- Optional digital controller with display.

HIGH EFFICIENCY AND ENVIRONMENTALLY FRIENDLY

All models use R22 or R417A refrigerant and deliver excellent performance characteristics. Stage compressor cycling ensures minimum compressor operation for any given load for greater efficiency, and also maintains a high quality environment. The systems can be configured to return condensate back to the pool, saving the equivalent of the entire pool's volume over one year. For improved air quality, plasma filters can be added.

- Rugged features delivers unrivaled performance
- Scroll compressor, efficient and quiet operation
- Coated evaporator and reheat condenser coils, long life
- Titanium tube-in-shell water heat exchanger
- Powder coated cabinet, corrosion resistant
- Controller with user friendly interface
- Self diagnosis





			AD-15	AD-20	AD-25	AD-30	AD-40
POWER SUPPLY		V/P/Hz	380-415/3/50				
OUTPUT	COOLING	kW/h	25	33	41	51	65
	HEATING	kW/h	30	39	47	60	78
DEHUMIDIFICATION CAPACITY		kg/h	17	22	26	33	43
APPLICATION POOL SURFACE AREA		m ²	68	88	104	132	172
RATED AIRFLOW		m ³ @ 300 Pa	4000	5000	6000	7500	9000
BLOWER	QTY.		2	2	2	2	2
	TYPE		CENTRIFUGAL				
	STATIC PRESSURE RANGE	Pa	100-500	100-500	100-500	100-500	100-850
	POWER INPUT	kW	1.5	1.5	2.2	2.2	3.5
COMPRESSOR	QTY.		1	1	1	2	2
	TYPE						
	POWER INPUT	kW	5.5	7	8.5	5.4	7
WATER HEAT EXCHANGER CONDENSER	RATED WORKING PRESSURE	MPa	1.2	1.2	1.2	1.2	1.2
	MAX. WATER TEMPERATURE	°C	40	40	40	40	40
	RATED WATER FLOW RATE	m ³	4.7	6.1	7.2	9.4	12.2
	WATER CONN. SIZE	mm	32	32	38	50	50
AIR COOLED CONDENSER	QTY.		1	1	1	1	1
	RATED CAPACITY	kW	30	39	47	60	78
	RATED AIRFLOW	m ³	10000	12000	15000	20000	24000
	NO.OF FANS		1	1	1	2	2
	FAN MOTOR POWER INPUT	kW	0.82	0.82	1.65	0.82	0.82
DIMENSIONS	OUTDOOR CONDENSER	mm	706	1450	1450	1450	1800
		mm	686	705	705	705	705
		mm	940	1065	1065	1065	1065
	INDOOR MAIN UNIT	mm	3000	3600	3600	3800	4200
		mm	1300	1520	1570	1670	1670
		mm	1200	1200	1260	1360	1450
INDOOR MAIN UNIT WEIGHT		kg	500	800	900	1200	1500
PACKING			1	1	1	1	1

AD-50	AD-60	AD-80	AD-100	AD-120	AD-160
380-415/3/50					
82	97	131	163	192	241
106	128	170	214	243	280
51	62	84	102	122	160
204	248	336	408	488	640
11000	13000	16600	21000	25000	32000
2	2	2	2	2	2
CENTRIFUGAL					
100-850	100-850	100-850	100-850	100-850	100-850
4	5.5	6	7	7.5	11
2	2	2 or 4	2 or 4	2 or 4	2 or 4
8.5	11	7 or 13	8.5 or 16.5	11 or 22	13 or 25
1.2	1.2	1.2	1.2	1.2	1.2
40	40	40	40	40	40
14.5	18.8	24.6	30.6	37.5	48
63	63	75	75	90	100
1	1	2	2	2	2
96	118	150	184	223	278
30000	40000	48000	60000	80000	90000
2	2	4	4	4	4
0.82	0.82	0.82	0.82	1.1	1.1
1850	2110	1800	1850	2110	2500
1000	1100	1000	1000	1100	1200
1320	1350	1320	1320	1350	1350
4600	4900	5400	5800	6600	7000
1930	2160	2200	2200	2150	2200
1520	1690	1840	2150	2200	2500
1650	1850	2200	2500	2700	3300
1	1	1	1	1	1

12 WATER TO WATER POOL HEAT PUMP

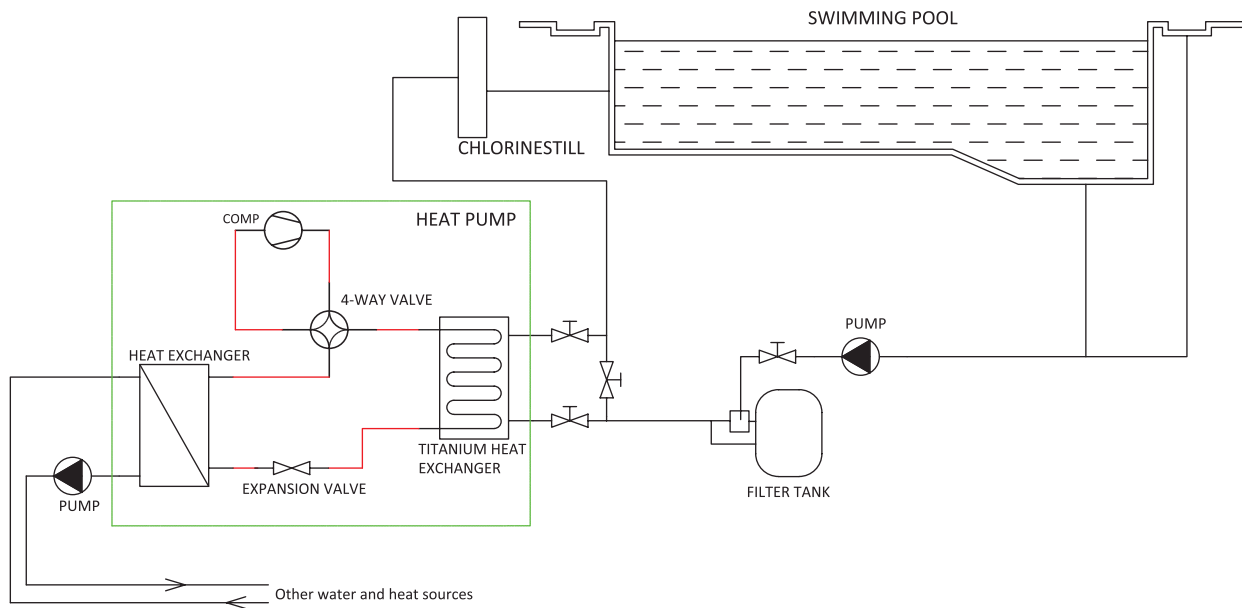
- Standard type (Heating capacity: 13.7kw~171kw)
- Touch design LCD control display and control signal are easier to be transferred to control system with BMS.
- Clock & Timing on/off function
- Efficiency
- Titanium heat exchanger
- Quiet Operation
- Environmentally Friendly
- Quality



WATER TO WATER HEAT PUMP – R410A

		WN040SV	WN050SV	WN060SV	WN070SV	WN100SV
Power supply	V/PH/Hz	380-420/50/3				
Max Power Input	kW	4.6	5.6	6.7	7.8	12.1
Sourcing water inlet Temp: 20°C, User's side water inlet/outlet @ 26°C/28°C						
Heating capacity	kW	17.0	21.0	25.0	29.0	45.0
Power input	kW	3.0	3.8	4.5	5.2	8.0
COP	W/W	5.6	5.6	5.6	5.6	5.6
Sourcing water inlet Temp: 15°C, User's side water inlet/outlet @ 26°C/28°C						
Heating capacity	kW	14.5	17.9	21.3	24.7	38.3
Power input	kW	3.2	4.0	4.7	5.5	8.3
COP	W/W	4.53	4.51	4.52	4.48	4.60
Sourcing water inlet Temp: 10°C, User's side water inlet/outlet @ 35°C/40°C						
Heating capacity	kW	10.9	13.6	18.2	21.0	27.1
Power input	kW	2.7	3.4	4.6	5.3	6.7
COP	W/W	3.98	3.95	3.96	3.96	4.03
Sourcing water inlet Temp: 30°C, User's side water inlet/outlet @ 30°C/28°C						
Cooling capacity		9	11	15	17	22
Power input		2.7	3.4	4.5	5.3	6.6
EER		3.32	3.30	3.31	3.28	3.37
Rated running current	A	5.4	6.70	7.98	9.26	14.36
Max. running current	A	8	10	12	14	22
Water temp. setting (heating)	°C	15~40				
Water temp. setting (cooling)	°C	15~40				
Max outlet water temp.	°C	40				
Water connection	Inch	G1	G1	G1	G1-1/2	G1-1/2
Sound pressure level	db(A)	41	42	42	43	44
Net weight	kg	100	120	120	185	250
Net dimensions (L x W x H)	mm	900/760/860	900/760/860	900/760/860	900/760/860	1320/840/1130

DIAGRAM



WN120SV	WN150SV	WN200SV	WN250SV	WN300SV	WN400SV	WN500SV
380-420/50/3						
14.7	17.4	22.5	28.1	33.5	45	56.3
Sourcing water inlet Temp: 20°C, User's side water inlet/outlet @ 26°C/28°C						
55.0	65	84	105	125	168	210
9.8	11.6	15.0	18.8	22.3	30.0	37.5
5.6	5.6	5.6	5.6	5.6	5.6	5.6
Sourcing water inlet Temp: 15°C, User's side water inlet/outlet @ 26°C/28°C						
46.8	55.3	71.4	89.3	106.3	142.8	178.5
10.2	12.2	15.9	19.6	23.6	32.1	39.4
4.56	4.53	4.48	4.56	4.49	4.45	4.53
Sourcing water inlet Temp: 0°C, User's side water inlet/outlet @ 35°C/40°C						
35.4	40	53	71	83	106	136
8.9	10.1	13.5	17.7	21.0	27.2	34.1
4.00	3.98	3.93	4.00	3.94	3.91	3.98
Sourcing water inlet Temp: 30°C, User's side water inlet/outlet @ 30°C/28°C						
29	33	44	58	68	87	112
8.7	9.9	13.3	17.4	20.6	26.8	33.6
3.34	3.32	3.28	3.34	3.29	3.26	3.32
17.56	20.7	26.8	33.5	39.9	53.6	67.0
26	31	40	50	60	80	101
15~40						
15~40						
40						
G1-1/2	G2	G2	Dn90 Flange	Dn90 Flange	Dn110 Flange	Dn110 Flange
44	45	49	55	55	56	56
280	360	500	610	720	990	990
1320/840/1130	1320/840/1130	1750/1120/1000	1750/1120/1000	2000/1120/1000	2300/1120/1000	2600/1120/1000

13 AIR COOLED WATER CHILLER

- Touch design LCD control display and control signal are easier to be transferred to control system with BMS.
- Clock& Timing on/off function
- Phase monitor: Protects the compressor in case of phase loss or inversion
- High/low pressure protection available
- cooled water temperature



AIR COOLED WATER CHILLER

			CH-0110	CH-0120	CH-0130
Power supply		V/PH/Hz	220/1/50		
Cooling: A35/24°C W/45/25°C	Cooling capacity	kW	5.3	7.0	8.8
		BTU/h	18084	23884	30026
	Chilled water production T=20°C	Us Gal/h	60	79	100
	Power input	kW	1.8	2.5	3.1
	Current	A	8.3	11.4	14.3
Cooling: A35/24°C W/45/25°C	Cooling capacity	kW	4.5	6.0	7.5
		BTU/h	15371	20301	25522
	Chilled water production T=20°C	Us Gal/h	51	68	85
	Power input	kW	2.2	3.0	3.7
	Current	A	9.8	13.4	16.9
Cooling: A35/24°C W/45/25°C	Cooling capacity	kW	4.3	5.7	7.2
		BTU/h	14829	19585	24621
	Chilled water production T=20°C	Us Gal/h	49	65	82
	Power input	kW	2.2	3.0	3.8
	Current	A	10.0	13.6	17.1
Cooling: A35/24°C W/45/25°C	Cooling capacity	kW	6.4	8.4	10.6
		BTU/h	21700	28661	36031
	Chilled water production T=20°C	Us Gal/h	36	48	60
	Power input	kW	1.5	2.0	2.6
	Current	A	6.8	9.3	11.7
MAX	Power input	kW	2.7	3.8	4.7
	Current	A	12.5	17.0	21.4
OPERATING	Water outlet temp. range	°C	5-40	5-40	5-40
	Ambient temp. range	°C	0-53	0-53	0-53
KEY	Compressor type		Rotary	Rotary	Scroll
	Noise	db(A)	52	52	55
HEAT EXCHANGER	Type		Titanium /PVC	Titanium /PVC	Titanium /PVC
	Standard water flow (min)	Us GPM	2.5	3.3	4.2
	Standard water flow (mix)	Us GPM	8.7	11.5	14.5
	Water pressure drop(max)	kPa	6	7	8
	Water connection	mm	40	40	40
FAN	Fan position		Horizontal	Horizontal	Verticle
DIMENSIONS (W x H x D)	Net	mm	60/66	58/64	80/87
	Shipping	mm			
WEIGHT		kg	60/66	58/64	80/87

CH-0140	CH-0150	CH-0160	CH-0170	CH-0180
380/3/50				
10.5	14.2	17.5	28	34
35826	48450	59710	95536	116008
119	161	199	318	386
3.8	5.1	6.3	10.0	12.1
6.7	9.1	11.2	17.9	21.7
2.80	2.78	2.80	2.80	2.80
8.9	12.1	14.9	23.8	28.9
30452	41183	50754	81206	98607
101	137	169	270	328
4.4	6.0	7.4	11.80	14.3
7.9	10.8	13.2	21.1	25.6
2.02	2.02	2.02	2.02	2.02
8.6	11.6	14.4	23.0	27.9
29377	39729	48962	78340	95127
98	132	163	261	316
4.5	6.1	7.5	12.0	14.6
8.0	11.0	13.4	21.5	26.0
1.91	1.90	1.91	1.91	1.91
12.6	17.0	21.0	33.6	40.8
42991	58140	71652	114643	139210
72	97	119	191	232
3.1	4.2	5.1	8.2	9.9
5.5	7.5	9.1	14.6	17.8
4.1	4.1	4.1	4.1	4.1
5.6	7.7	9.4	15.0	18.2
10.1	13.7	16.8	26.8	32.6
5-40	5-40	5-40	5-40	5-40
0-53	0-53	0-53	0-53	0-53
Scroll	Scroll	Scroll	Scroll	Scroll
55	58	58	59	59
Titanium /PVC	Titanium /PVC	Titanium /PVC	Titanium /PVC	Titanium /PVC
5.0	6.7	8.3	13.3	16.1
17.3	23.4	28.8	46.1	56.0
10	11	12	15	15
40	50	50	63	63
Verticle	Verticle	Verticle	Verticle	Verticle
380/3/50				
95/97	95/102	102/112	200/225	230/258

14 INDOOR POOL DEHUMIDIFIER

FEATURES

- Portable Dehumidifiers type & Wall mounted
- Absorbing clammy air in house and transferring
- provide you a cool and comfortable environment
- Epoxy fin air exchanger (wall mounted)
- Clock & Timing on/off function(wall mounted)
- Efficiency
- Fashionable appearance
- Quiet operation
- Environmentally friendly
- Clear Windows, Dry Walls: No more foggy windows or condensation on walls in the pool room with AQUA dehumidifiers preserve the construction integrity and gives a pleasant feeling to the room occupants.
- Simple Installation: Can be free standing or remote. It is also duct ready, the control can be easily made in a 220 volts wiring.
- Quality Construction & Reliability: AQUA dehumidifier comes in white coated antihumidity paint or in stainless steel body, Digital LCD controller & gas pressure gauge. The unit is covered under a 5 year warrantee.
- Low Electrical Cost: AQUA dehumidifier utilizes a refrigeration system that requires a smaller electrical load.
- Humidity Control: Stabilize room conditions through dehumidification, this reduces the maintenance cost of the room and gives a very pleasant environment to the pool room.
- Indoor Pool Room Heating: Recovering energy from the dehumidification process will often heat an entire pool room for the cost of operating the dehumidifier alone.
- Indoor Pool Room Cooling: An optional remote condenser will allow the DCA system to cool the pool room during the warm months.
- Easy to Maintain: The AQUA dehumidifier system is a closed loop system with nothing to oil or lubricate. Simple return air filter maintenance is all that is needed.



PORTABLE



WALL MOUNTED

INDOOR POOL DEHUMIDIFIER

INDOOR POOL DEHUMIDIFIER		WALL MOUNTED			PORTABLE			
		DW02	DW03	DW04	DM02	DM03	DM04	DM06
Power supply		220-240V-/50HZ						
		Ambient Temp. 30°C, 80% relative humidity						
Rated capacity	l/h	2.3	3.2	4.5	2.5	3.2	4.5	6
Dehumidification Capacity per day	l	55.2	76.8	108	60	76.8	108	144
Recommended pool Area	m ²	42	60	84	42	60	84	112
Air Volume	m ³ /h	450	600	750	450	600	750	900
Noise level	db(A)	44	46	50	44	46	50	50
Rated Power Input	kW	0.93	1.14	1.73	0.93	1.14	1.73	2.14
Rated Running Current	A	4.1	5	7.5	4.1	5	7.5	9.7
Max. Power Input	kW	1.02	1.25	1.9	1.40	1.71	2.60	3.21
Max. Running Current	A	4.3	5.4	8.2	6.3	7.8	11.8	14.6
Relative Humidity	%RH	40-100						
Temperature	°C	10-36						
Dimensions (L /W/H)	mm	868/260/720	868/260/720	1268/260/720	400/500/720	400/500/720	480/580/1008	480/580/1008
Net Weight	kg	46	51	64	45	50	63	130
Condensation Pipe Diameter	mm	16						

Note: We reserve the rights to modify the above specifications without notice, please contact us for updated information.



15 SPAS & ACCESSORIES

INDEX

01	SPA MODEL “POZZUOLI”	508
02	SPA MODEL “BERGAMO”	510
03	SPA MODEL “SYRACUSE”	512
04	SPA MODEL “SASSARI”	514
05	SPA MODEL “CATANIA”	516
06	SPA MODEL “SIENA”	518
07	SPA MODEL “MESSINA”	520
08	SPA MODEL “TARANTO”	522
09	SPA MODEL “MOLFETTA”	524
10	SPA MODEL “FAENZA”	526
11	SPA MODEL “TIRRENI”	528
12	SPA MODEL “HERCULANEUM”	530
13	SPA MODEL “MONZA”	532
14	SPA ACCESSORIES”	534
15	PNEUMATIC BUTTONS	535
16	PNEUMATIC SWITCH	536
17	SPA JETS	536
18	AIR NOZZLE	538
19	STAINLESS STEEL AIR HYDRO-MASSAGE PLATES	539
20	SPA SECTION DRAIN AND WATER RETURN	540
21	AIR CONTROLLER	541
22	AIR BLOWERS	542
23	SUCTION FILTERS FOR PRESSURE	544
24	PRESSURE & VACUUM RELIEF VALVES	544
25	SILENCERS	545

A BETTER MASSAGE

BROAD STREAM "AQUA-MASSAGE" JETS

Most jets have small and/or straight water nozzles that dig into your back and are uncomfortable and annoying. Our broad stream jets distribute the water more evenly and our customers regularly tell us how much nicer our jets feel.

CREATE THE PERFECT MASSAGE

Dozens of pulse, swirl, deep tissue and air massage jets have been precisely positioned to target muscles in your back, neck, shoulder, legs and feet (never on the spine) and create an awesome hydro-massage experience. Move the "easy swap" jets around the spa to create the exact massage you want in the seat you want to sit in. You can also adjust the strength of individual jets as well as using seat by seat massage controllers to get the jet strength just right. Then relax and enjoy.

POWERFUL, HIGH PERFORMANCE "QUIET FLO" PUMPS

Spa Net pumps are quiet and very powerful, especially when combined with our "free flow" plumbing system that uses 50mm flexible plumbing and minimal sweeping (not 90 degree) elbows.

MORE QUIET OPERATION

To achieve total relaxation you need peace and quiet. Aqua Spas are known as building one of the worlds quietest spas by using quality pumps with special anti-vibration pump mounts and locking in noise with our 6 stage insulation system.

MORE COMFORTABLE

When you sit in a filled spa you realise that lay back and curved seats make you float and that most spa seats are not comfortable.

The shaping of our seats helps you stay in place-making sure the jets hit the right spots and allowing you to relax and enjoy your spa.

We have also designed all of our spas to offer extra room for your feet and more space overall, check the size of your footwell when doing your shopping.

TOTAL RELAXATION

Surround yourself with essential oil aromatherapy, the sounds of a trickling waterfall, mood lighting and your choice of sound system to create the perfect mood and achieve total relaxation.

CRYSTAL CLEAR, CHLORINE FREE WATER

Our Dynamic Water Management System with CD ozone, mixing chamber, dual pump twin cartridge filter system, "Smart Flow Valve", high flow circulation pump, optional "Micro Filter" and one-touch "Cleanup Cycle" all make keeping your spa clean and clear as easy as possible. And to make it even simpler, we have created our own natural spa sanitation system that replaces harsh chemicals and corrosive salts and stops skin and eye irritations and bad odorless.



BUILT TO LAST

BUILT TOUGH TO LAST LONGER

- "Tough Barrier" Base: Our solid "Tough Barrier" fibreglass base makes the spa much stronger (so it lasts longer). It also stops water, vermin and cold air getting inside the cabinet and damaging your frame or spa.
- "Tough Bond" Shells: Our oven cured, 6 layer laminated "Tough Bond" shells are one of the thickest, strongest shells in the world (8-10mm thick) and we're proud of it. Be sure to check the thickness of the shell when you shop around.
- "Tough Built" Frame: Our "Tough Built" treated timber frames have triple reinforced corners, cross braced base frame and supports under every seat. They will never rot as they are protected by paint, chemical treatment and the fibreglass base.
- Superior Components: Only the best components and materials are used to build an Aqua Spas – including Australian Pumps and Control systems, German Silicones and American acrylic.

SAFETY FIRST - MEETS ALL EUROPEAN STANDARDS

Many spas on the market have not been tested to prove their electrical safety. Many do not even meet European Standards or have a proper compliance plate (with approval number). Aqua Spas have C-Tick and electrical safety approvals and meet all other standards. All suction are tested to ASME standards and are 600mm apart and every spa is fitted a safety vent linked to the filter system.

Does the other spa you are looking at have these protections in place?

LIFETIME CUSTOMER SUPPORT PROGRAM

When you buy an Aqua Spas you are covered by a Lifetime Support Plan. For as long as you own an Aqua Spas you will have someone to turn to for support and spare parts. The factory, the European office, the state distributors and your local retailer can all help answer a question, solve a problem and supply parts so you can relax and enjoy your spa with total peace of mind.

EASIER TO MAINTAIN

“SET AND FORGET” MULTI-FUNCTION CONTROL SYSTEM

After initial setup, however, your spa will remember your settings and you’ll only have to turn on the jets, air blower and lights, knowing your spa will be the right temperature, clean and ready to enjoy 24 hours a day. This system also boasts a handy “lockout” mode (to keep out the kids or neighbours), “sleep” mode (to put your spa to sleep) and a “cleanup” cycle to refresh your spa after use.

DYNAMIC WATER MANAGEMENT SYSTEM

- Dual Pump “Smart Flow” Filter system: To maximize water quality and filtration, Aqua Spas run two pumps through the 100 sq ft filter system, giving you a major boost when the spa is in use.
- Smart Flow Boost Valve: Aqua Spas a patented “swing valve” in the plumbing to minimize water bypasses the filters. This clever valve also protects your pump and family by opening if the filters or suction are blocked.
- High Flow 0.5HP “Energy Smart” Circulation Pump: Unlike a 24 hour circulation pump (which lacks significant flow), our high flow circulation pumps keeps the water surface cleaner and water quality better. Our super reliable circulation pumps use a slightly smaller impeller to reduce pump stress, noise and power consumption.
- “Puresafe” Ozone System with Mixing Chamber: Ozone, when used correctly, is a powerful maintenance free and proven water treatment system that is used in over 95% of spas worldwide. The key to any good ozone system is a mixing chamber that ensures the ozone gas is fully utilized before re-entering the spa so it doesn’t damage covers and headrests.
- Optional Silver Ion (Microban) Filters: You can choose to use a standard 50 micron “pleated” filter with your boost pump and a 1 micron “silver ion” micro filter with your circulation pump. These disposable cartridges are up to 50 times more effective at removing minute particles to provide the ultimate water clarity. They don’t need to be cleaned and soaked (just surface sprayed) and with anti bacterial properties, these filter cartridges reduce chemical use.

EASY TO SWAP, SELF CLEANING, BEARING - LESS JETS WITH PVC BODY’S

Ask anyone who has owned a spa and they’ll tell you that the bearings get clogged and stop spinning, the clips that hold the jets in place break and the back of the jets disintegrate. “Aqua-massage” jets are self cleaning, bearing-less jets that

spin on a floating stainless steel shaft. With a screw-in mechanism they are easy to remove and don’t rely on clips to stay in. And the PVC body means there is no chance of damage from chemicals.

LOW MAINTENANCE CABINET

Unlike timber cabinets which require staining and oiling, our cabinet panel is made from a synthetic material that only requires regular wash. With every panel removable, you can repair damaged panels at any time.

AQUA SPAS SANITATION SYSTEM

Our exclusive spa sanitation system is chlorine and salt free and has no odors. More importantly it is safe for your family and is easier to use.

CHEAPER TO RUN

LAYER “ENERGY SMART” INSULATION SYSTEM

Our exclusive multi-layer insulation system locks in heat, keeps out the cold and makes our spas more quiet. For the ultimate insulation system, add our (optional) “Thermo Lock Barrier”.

“CUSTOM FIT” CABINETS

We tailor make every cabinet to make sure there are minimal gaps between the lip of the shell and the cabinet cladding. Without this you are simply throwing money away as the heat inside the cabinet rises (naturally) and escapes from this gap.

SMART METER READY

Hook your spa up to a smart meter, choose “power save mode” and your spa will only filter or heat during off peak times, cutting your overall running costs by up to 25%. Even if your electricity provider does not currently offer smart meters, they soon will, and you’ll be ready to enjoy the savings.

HIGH FLOW “ENERGY SMART” CIRCULATION PUMPS

Our high flow circulation pumps only have to run 4 hours a day, not 24 hours a day like many other circulation pumps. Here are the facts about running costs for circulation pumps.

BIGGER, MORE EFFICIENT HEATERS

With larger, 2KW or 3.8KW variable output heaters, you can heat the water quicker, allowing the pump to turn off quicker (saving power).

	24 HR CIRC PUMP	2 SPEED PUMP	0.5 HP CIRC PUMP (with smaller impeller)
Hours a Day	24	4	4
Watts	90	450	370
Total Kw/Day	2.16 Kw	1.8 Kw	1.48 Kw
% Cheaper than 24 Hr Circ	-	-	31.5%
% Cheaper than 2 speed	-	-	18%

01 SPA MODEL "POZZUOLI"

FEATURES	
Factory model name	HR-HE170-2B2
Allseas spas model	DS 101
Size	2000 x 1740 x 820 mm
Seating	2
Lounge	2
Empty weight	304 kg
Water capacity	540 Liters
Hydro jets	43
Air jets	No
Control system	Yes
Inverter system	1 x two-speed 3 HP
Jet pump	Yes
Heated airblower	No
Circulation pump	Aqu aflow 1/8 HP
Heater	No
LED large spotlight	Yes
LED waterfall	No
Perimeter LED light system	Yes
Fitting with LED backlight	No
Ozone and mixing unit	Yes
Filtration system	Dual High-efficient blue filter
Head cushions	2
Foam on shell	25 - 30 mm
Thermo lock system	Yes
Base	Fiber glass
Thermal cover	Luxury
Jets	Chrome
Frame	Wood
Cabinet	Wood Replacement
IN. Stream Stereo System	Optional
IN. Touch WiFi Module	Optional
Rolldeck	No
Maximum Power Input	3080 W
Packing	Plastic Zipper Bag
Power supply	220/240V -50 Hz Single phase (Three phase optional)



SHELL COLOR OPTION:

REGULAR COLOR



Sterling Silver



Storm clouds III



Alba

CUSTOMIZED COLOR



Winter Solstice

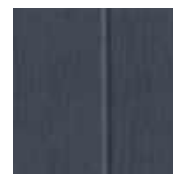


Ocean Wave



Tuscan Sun

CABINET COLOR OPTION:



Dark Grey

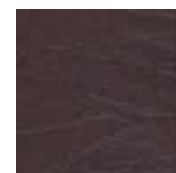


Brown

COVER COLOR OPTION:

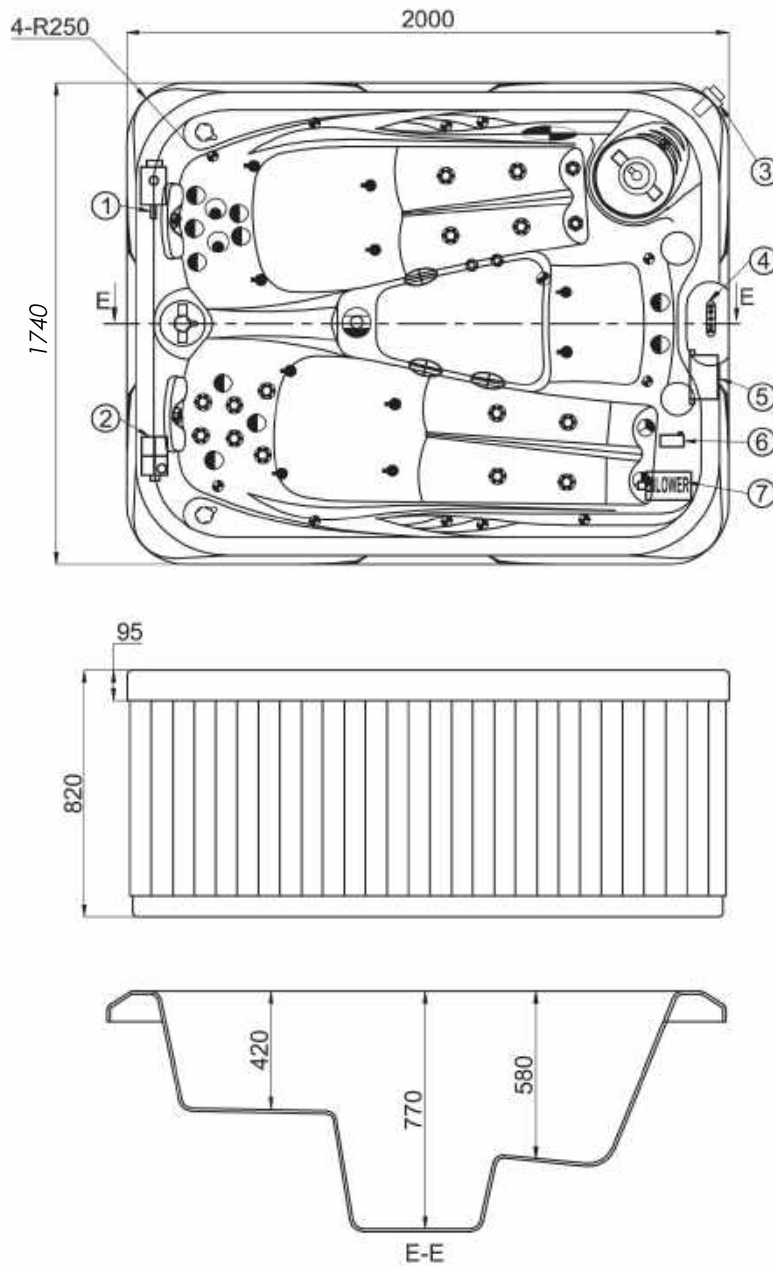



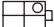





Charcoal Grey



Brown





NO	ICON	DESCRIPTION	PART #	QTY.	UNIT
1		Gecko circulation pump (2.4m power cable)	01.03.05.0490	1	pc
2		3 HP two speed pump (2.4m Gecko power cable)	01.03.05.0174	1	pc
3		External drain	01.03.05.0183	1	pc
4		IN.K450 control panel	01.03.05.0128	1	pc
5		IN.YE-5-H3.0 control box	01.03.05.0348	1	pc
6		XL-30 ozone generator	01.03.05.0036	1	pc
7		400W blower (2.4 Gecko power cable)	01.03.05.0243	1	pc

02 SPA MODEL "BERGAMO"

FEATURES	
Factory model name	HR-HE360S-2B2
Allseas spas model	DS 100
Size	2000 x 2000 x 820 mm
Seating	5
Lounge	1
Empty weight	310 kg
Water capacity	960 Liters
Hydro jets	28
Air jets	-
Control system	Gecko
Inverter system	No
Jet pump	1 x two-speed 3 HP
Heated airblower	No
Circulation pump	Aquaflow 1/8 HP
Heater	3 kW
LED large spotlight	Yes
LED waterfall	NO
Perimeter LED light system	Yes
Fitting with LED backlight	Yes
Ozone and mixing unit	Yes
Filtration system	Paper / 1 x 6.97 m ²
Head cushions	3
Foam on shell	25 - 30 mm
Thermo lock system	Yes
Base	Fiber glass
Thermal cover	Luxe
Jets	Chrome
Frame	Treated Wood
Cabinet	Wood Replacement
IN. Stream Stereo System	Optional
IN. Touch WiFi Module	Optional
Rolldeck	Optional
Maximum Power Input	3080 W
Packing	Plastic Zipper Bag
Power supply	220/240V -50 Hz Single phase (Three phase optional)



SHELL COLOR OPTION:

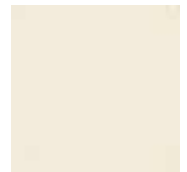
REGULAR COLOR



Sterling Silver



Storm clouds III



Alba

CUSTOMIZED COLOR



Winter Solstice

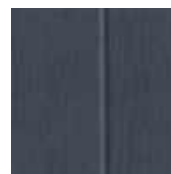


Ocean Wave



Tuscan Sun

CABINET COLOR OPTION:



Dark Grey

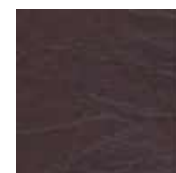


Brown

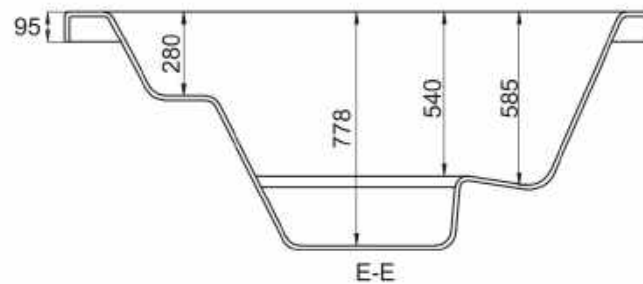
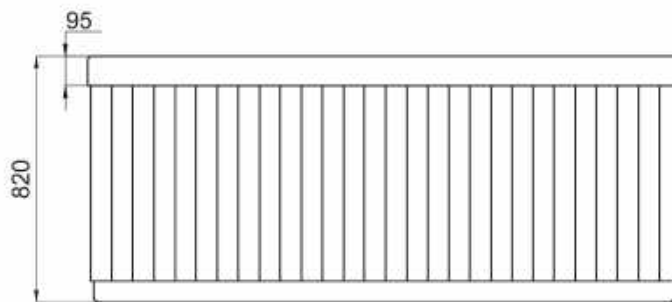
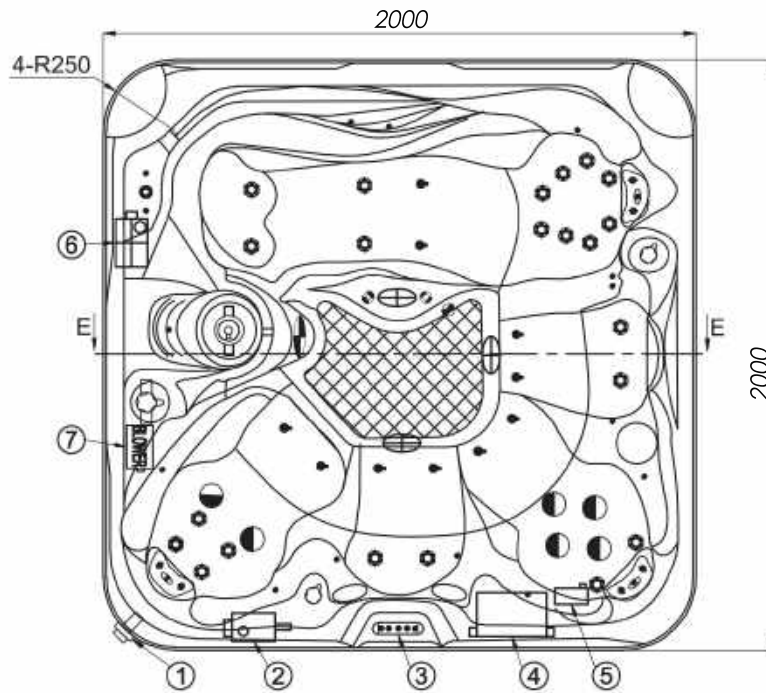
COVER COLOR OPTION:

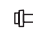
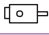



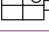



Charcoal Grey



Brown



NO	ICON	DESCRIPTION	PART #	QTY.	UNIT
1		External drain	01.03.05.0183	1	pc
2		Gecko circulation pump (2.4m power cable)	01.03.05.0490	1	pc
3		IN.K450 control panel	01.03.05.0128	1	pc
4		IN.YE-5-H3.0 control box	01.03.05.0348	1	pc
5		XL-30 ozone generator	01.03.05.0036	1	pc
6		3 HP two speed pump (2.4m Gecko power cable)	01.03.05.0174	1	pc
7		400W blower (2.4m Gecko power cable)	01.03.05.0243	1	pc

03 SPA MODEL "SYRACUSE"

FEATURES	
Factory model name	HR-HE570-2B2
Allseas spas model	DS 201
Size	2120 x 2120 x 920 mm
Seating	3
Lounge	2
Empty weight	376 kg
Water capacity	1160 Liters
Hydro jets	45
Air jets	12
Control system	Gecko
Inverter system	No
Jet pump	2 x two-speed 3 HP
Heated air blower	NO
Circulation pump	Aquaflow 1/8 HP
Heater	3 kW
LED large spotlight	NO
LED waterfall	NO
Perimeter LED light system	Yes
Fitting with LED backlight	Yes
Ozone and mixing unit	Yes
Filtration system	Paper / 1 x 6.97 m ²
Head cushions	3
Foam on shell	25 - 30 mm
Thermo lock system	Yes
Base	Fiberglass
Thermal cover	Luxe
Jets	Chrome
Frame	Treated Wood
Cabinet	Wood Replacement
IN. Stream Stereo System	Optional
IN. Touch WiFi Module	Optional
Rolldeck	Optional
Maximum Power Input	4490 W
Packing	Plastic Zipper Bag
Power supply	220/240V -50 Hz Single phase (Three phase optional)

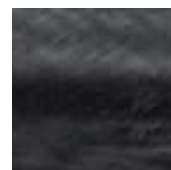


SHELL COLOR OPTION:

REGULAR COLOR



Sterling Silver



Storm clouds III



Alba

CUSTOMIZED COLOR



Winter Solstice

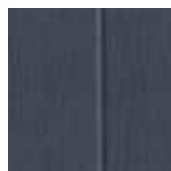


Ocean Wave



Tuscan Sun

CABINET COLOR OPTION:

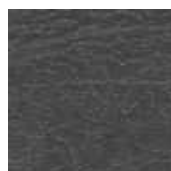


Dark Grey

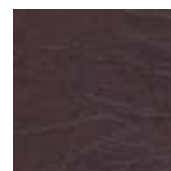


Brown

COVER COLOR OPTION:

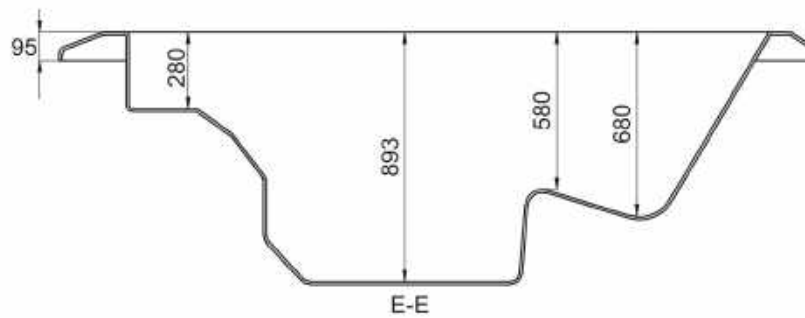
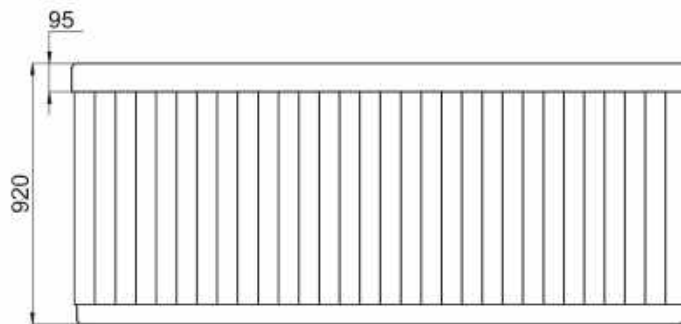
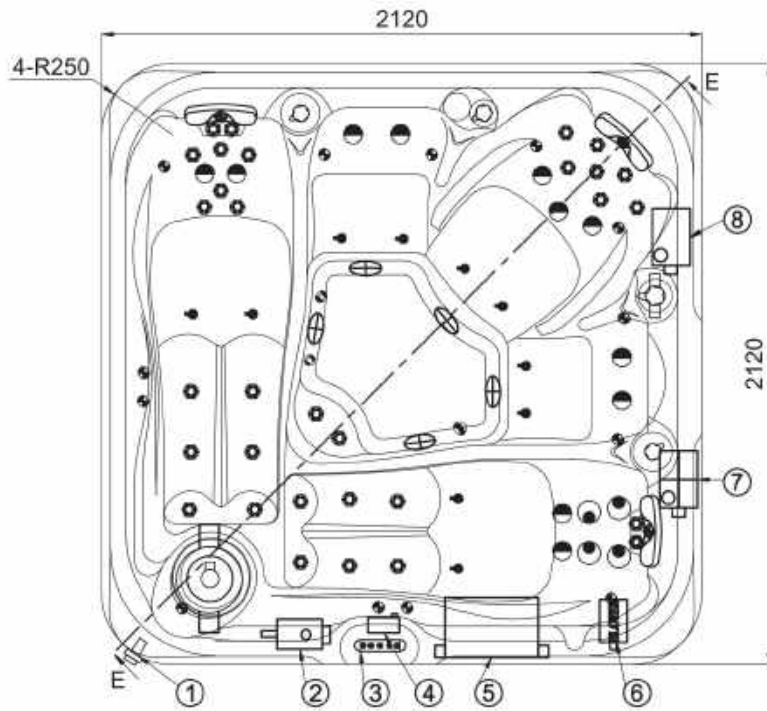








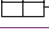

Charcoal Grey



Brown





NO	ICON	DESCRIPTION	PART #	QTY.	UNIT
1		External drain	01.03.05.0183	1	pc
2		Gecko circulation pump (2.4m power cable)	01.03.05.0490	1	pc
3		IN.K450 control panel	01.03.05.0128	1	pc
4		XL-30 ozone generator	01.03.05.0036	1	pc
5		IN.YE-5-H3.0 control box	01.03.05.0348	1	pc
6		400W blower (2.4m Gecko power cable)	01.03.05.0243	1	pc
7		3 HP two speed pump (2.4m Gecko power cable)	01.03.05.0174	1	pc
8		3 HP single speed pump (2.4m Gecko power cable)	01.03.05.0245	1	pc

04 SPA MODEL "SASSARI"

FEATURES	
Factory model name	HR-HE730-2B2
Allseas spas model	DS 300
Size	2300 x 2300 x 920 mm
Seating	7
Lounge	0
Empty weight	410 kg
Water capacity	1550 Liters
Hydro jets	45
Air jets	-
Control system	Gecko
Inverter system	No
Jet pump	2 x two-speed 3 HP
Heated air blower	Yes
Circulation pump	Aquaflow 1/8 HP
Heater	3 kW
LED large spotlight	No
LED waterfall	No
Perimeter LED light system	Yes
Fitting with LED backlight	NO
Ozone and mixing unit	Yes
Filtration system	Paper / 2 x 6.97 m ²
Head cushions	3
Foam on shell	25 - 30 mm
Thermo lock system	Yes
Base	Fiberglass
Thermal cover	Luxe
Jets	Chrome
Frame	Treated Wood
Cabinet	Wood Replacement
IN. Stream Stereo System	Optional
IN. Touch WiFi Module	Optional
Rolldeck	Optional
Maximum Power Input	4490 W
Packing	Plastic Zipper Bag
Power supply	220/240V -50 Hz Single phase (Three phase optional)



SHELL COLOR OPTION:

REGULAR COLOR



Sterling Silver



Storm clouds III



Alba

CUSTOMIZED COLOR



Winter Solstice



Ocean Wave



Tuscan Sun

CABINET COLOR OPTION:

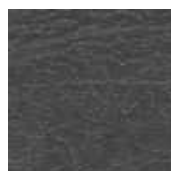


Dark Grey

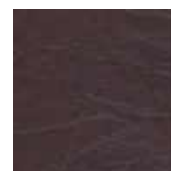


Brown

COVER COLOR OPTION:

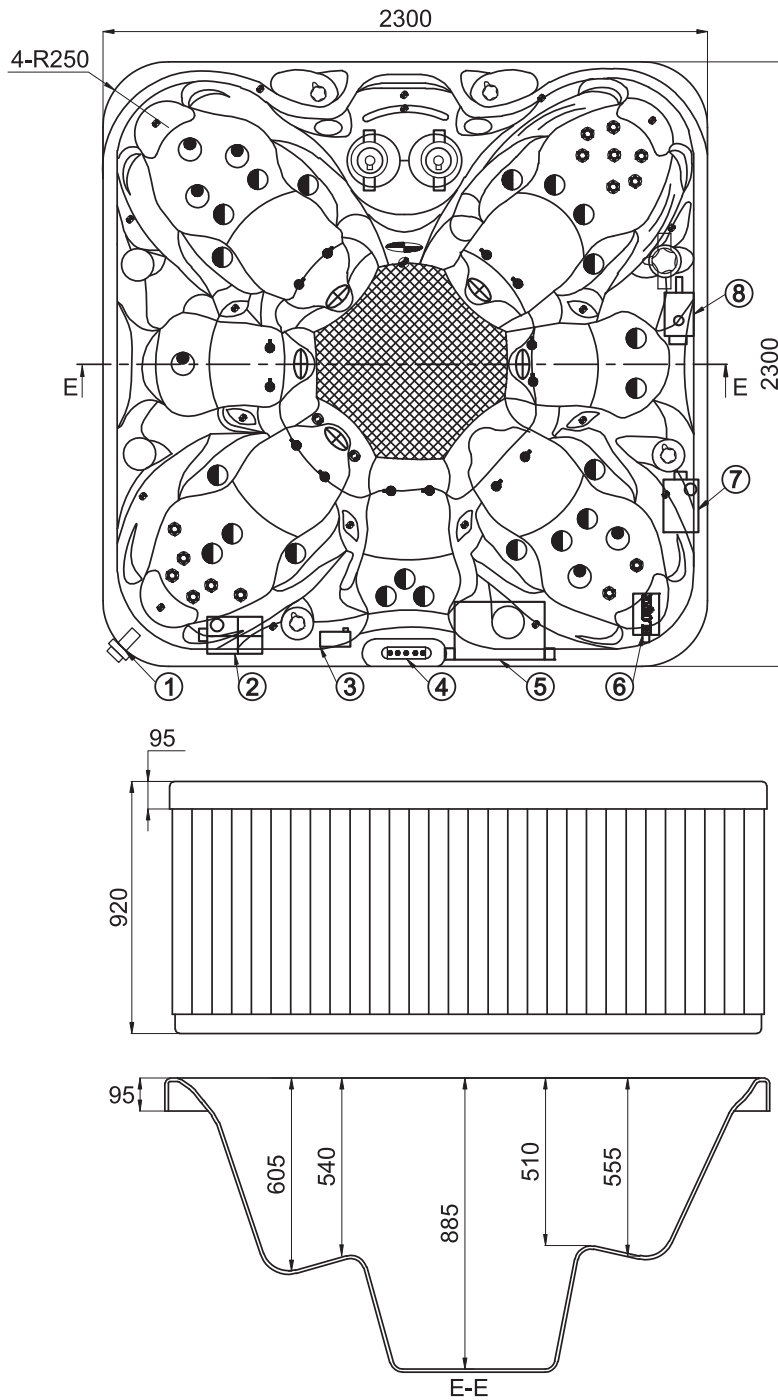



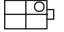






Charcoal Grey



Brown





NO	ICON	DESCRIPTION	PART #	QTY.	UNIT
1		External drain	01.03.05.0183	1	pc
2		3 HP two speed pump (2.4m Gecko power cable)	01.03.05.0174	1	pc
3		XL-30 ozone generator	01.03.05.0036	1	pc
4		IN.K450 control panel	01.03.05.0128	1	pc
5		IN.YE-5-H3.0 control box	01.03.05.0348	1	pc
6		400W blower (2.4m Gecko power cable)	01.03.05.0243	1	pc
7		3 HP single speed pump (2.4m Gecko power cable)	01.03.05.0245	1	pc
8		Gecko circulation pump (2.4m power cable)	01.03.05.0490	1	pc

05 SPA MODEL "CATANIA"

FEATURES	
Factory model name	HR-HE770-2B2
Allseas spas model	DS 400
Size	2300 x 2120 x 920 mm
Seating	3
Lounge	2
Empty weight	413 kg
Water capacity	1390 Liters
Hydro jets	49
Air jets	-
Control system	Gecko
Inverter system	No
Jet pump	2 x two-speed 3 HP
Heated air blower	NO
Circulation pump	Aquaflow 1/8 HP
Heater	3 kW
LED large spotlight	No
LED waterfall	No
Perimeter LED light system	Yes
Fitting with LED backlight	Yes
Ozone and mixing unit	Yes
Filtration system	Paper / 2 x 6.97 m ²
Head cushions	3
Foam on shell	25 - 30 mm
Thermo lock system	Yes
Base	Fiberglass
Thermal cover	Luxe
Jets	Chrome
Frame	Treated Wood
Cabinet	Wood Replacement
IN. Stream Stereo System	Optional
IN. Touch WiFi Module	Optional
Rolldeck	Optional
Maximum Power Input	4490 W
Packing	Plastic Zipper Bag
Power supply	220/240V -50 Hz Single phase (Three phase optional)



SHELL COLOR OPTION:

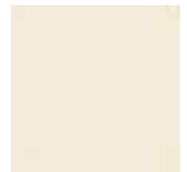
REGULAR COLOR



Sterling Silver



Storm clouds III



Alba

CUSTOMIZED COLOR



Winter Solstice

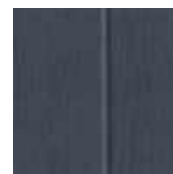


Ocean Wave



Tuscan Sun

CABINET COLOR OPTION:



Dark Grey

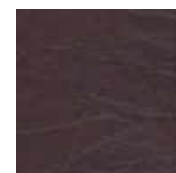


Brown

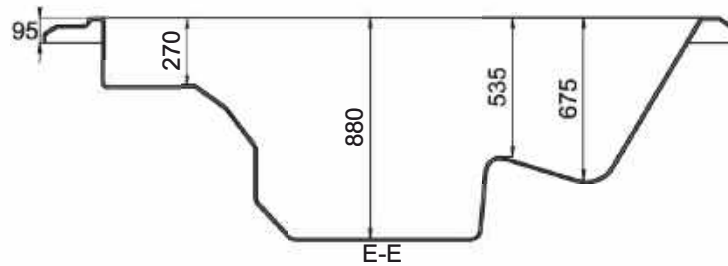
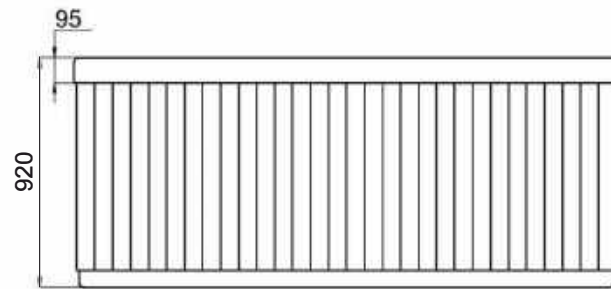
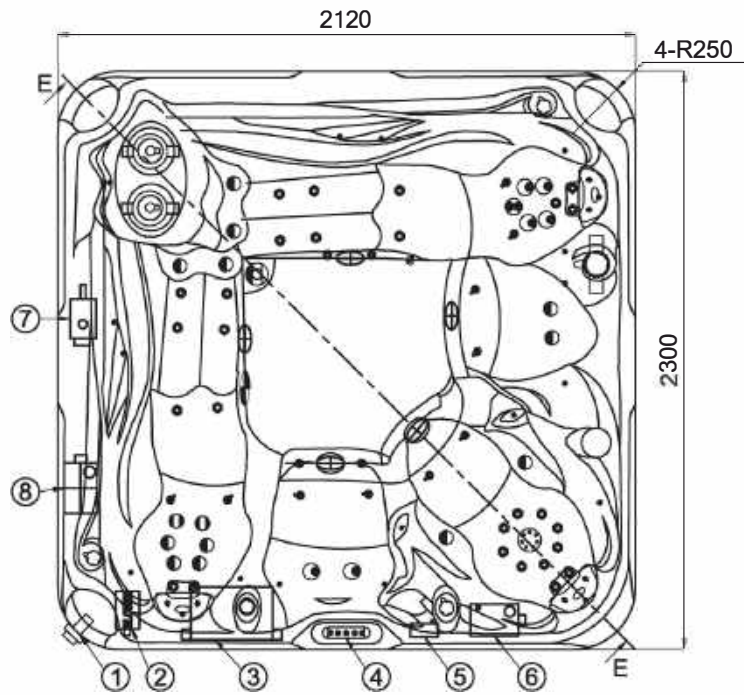
COVER COLOR OPTION:



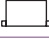


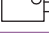
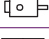
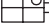


Charcoal Grey



Brown



NO	ICON	DESCRIPTION	PART #	QTY.	UNIT
1		External drain	01.03.05.0183	1	pc
2		400W blower (2.4m Gecko power cable)	01.03.05.0243	1	pc
3		IN.YE-5-H3.0 control box	01.03.05.0348	1	pc
4		IN.K450 control panel	01.03.05.0128	1	pc
5		XL-30 ozone generator	01.03.05.0036	1	pc
6		3 HP single speed pump (2.4m Gecko power cable)	01.03.05.0245	1	pc
7		Gecko circulation pump (2.4m power cable)	01.03.05.0490	1	pc
8		3 HP two speed pump (2.4m Gecko power cable)	01.03.05.0174	1	pc

06 SPA MODEL "SIENA"

FEATURES	
Factory model name	HR-HE370-2B2
Allseas spas model	OS 302
Size	2000 x 2000 x 820 mm
Seating	3
Lounge	2
Empty weight	334 kg
Water capacity	960 Liters
Hydro jets	41
Air jets	-
Control system	Gecko
Inverter system	No
Jet pump	2 x two-speed 3 HP
Heated air blower	Yes
Circulation pump	1 x 0.5 HP
Heater	3 kW
LED large spotlight	No
LED waterfall	No
Fitting with LED backlight	Yes
Perimeter LED light system	Yes
Ozone and mixing unit	Yes
Filtration system	Paper / 2 x 4.65 m ²
Head cushions	3
High density foam insulation	25 - 30 mm
Thermo lock system	Yes
Base	Fiberglass
Thermal cover	Yes
Jets	Chrome
Frame	Treated Wood
Cabinet	Wood Replacement
IN. Stream Stereo System	Optional
IN. Touch WiFi Module	Optional
Rolldeck	Optional
Maximum Power Input	3398 W
Packing	Plastic Zipper Bag
Power supply	220/240V -50 Hz Single phase (Three phase optional)



SHELL COLOR OPTION:

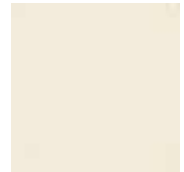
REGULAR COLOR



Sterling Silver



Storm clouds III



Alba

CUSTOMIZED COLOR



Winter Solstice

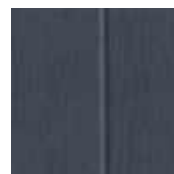


Ocean Wave



Tuscan Sun

CABINET COLOR OPTION:



Dark Grey

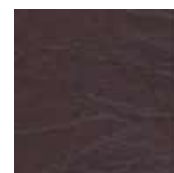


Brown

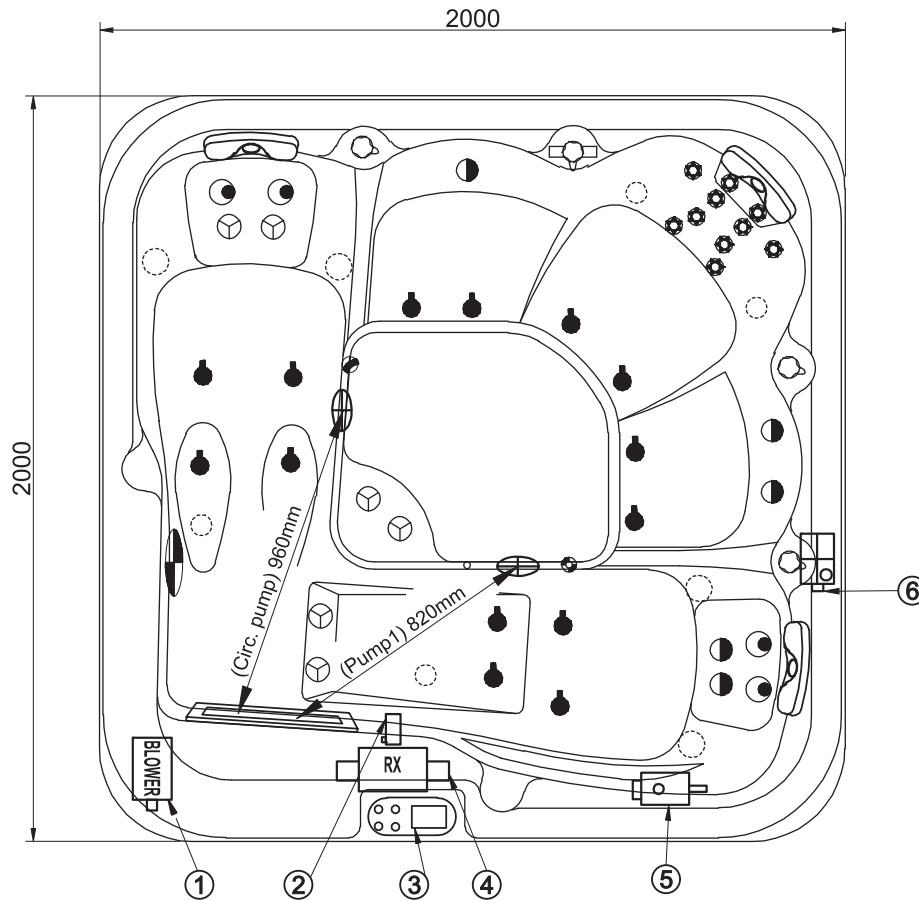
COVER COLOR OPTION:






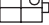


Charcoal Grey



Brown



NO	ICON	DESCRIPTION	PART #	QTY.	UNIT
1		400W blower (2.4m Gecko power cable)	01.03.05.0243	1	pc
2		CP ozone generator (2.4m Gecko power cable)	01.03.05.0246	1	pc
3		IN.K450 control panel	01.03.05.0128	1	pc
4		IN.YE-5-H3.0 control box	01.03.05.0348	1	pc
5		0.5 HP circulation pump (2.8m power cable)	01.03.05.0525	1	pc
6		3 HP two speed pump (2.4m Gecko power cable)	01.03.05.0174	1	pc

07 SPA MODEL "MESSINA"

FEATURES	
Factory model name	HR-HE570-2B2
Allseas spas model	OS 502
Size	2120 x 2120 x 920 mm
Seating	3
Lounge	2
Empty weight	376 kg
Water capacity	1160 Liters
Hydro jets	45
Air jets	No
Control system	Gecko
Inverter system	No
Jet pump	2 x two-speed 3 HP
Heated air blower	Yes
Circulation pump	1 x 0.5 HP
Heater	3 kW
LED large spotlight	No
LED waterfall	No
Fitting with LED backlight	Yes
Perimeter LED light system	Yes
Ozone and mixing unit	Yes
Filtration system	Paper / 2 x 4.65 m ²
Head cushions	3
High density foam insulation	25 - 30 mm
Thermo lock system	Yes
Base	Fiberglass
Thermal cover	Yes
Jets	Chrome
Frame	Treated Wood
Cabinet	Wood Replacement
IN. Stream Stereo System	Optional
IN. Touch WiFi Module	Optional
Rolldeck	Optional
Maximum Power Input	4808 W
Packing	Plastic Zipper Bag
Power supply	220/240V -50 Hz Single phase (Three phase optional)



SHELL COLOR OPTION:

REGULAR COLOR



Sterling Silver



Storm clouds III



Alba

CUSTOMIZED COLOR



Winter Solstice



Ocean Wave



Tuscan Sun

CABINET COLOR OPTION:

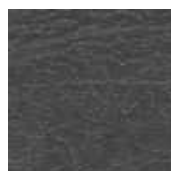


Dark Grey

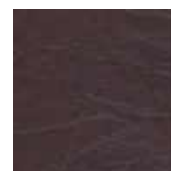


Brown

COVER COLOR OPTION:

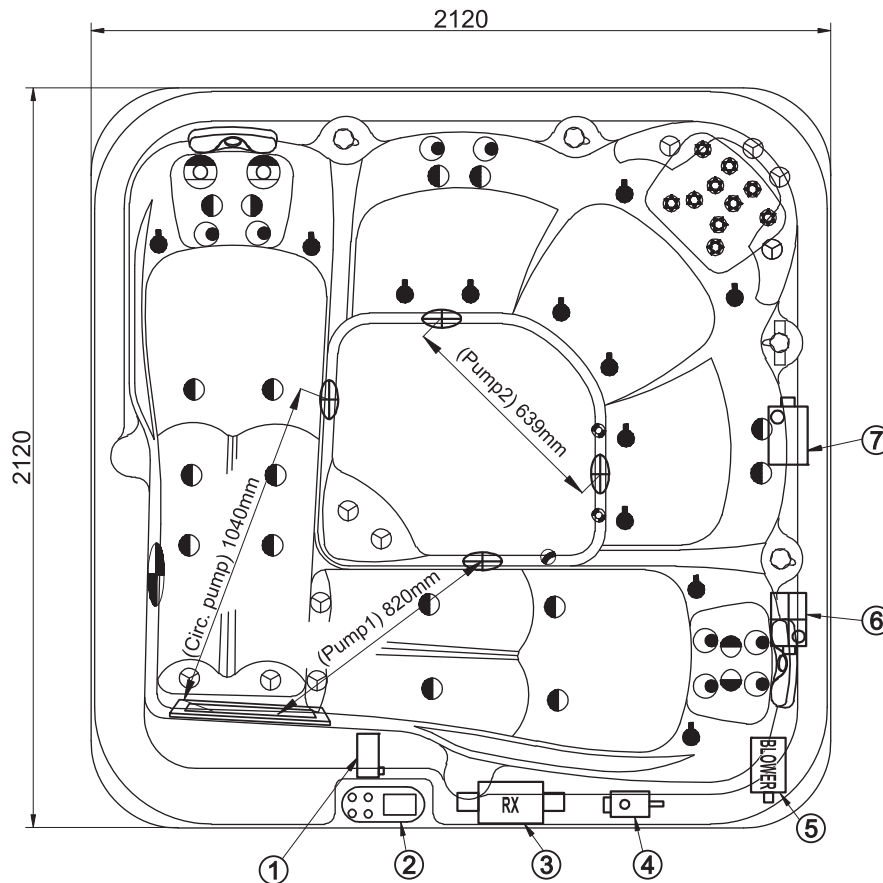








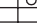
Charcoal Grey



Brown





NO	ICON	DESCRIPTION	PART #	QTY.	UNIT
1		CP ozone generator (2.4m Gecko power cable)	01.03.05.0246	1	pc
2		IN.K450 control panel	01.03.05.0128	1	pc
3		IN.YE-5-H3.0 control box	01.03.05.0348	1	pc
4		0.5 HP circulation pump (2.8m power cable)	01.03.05.0525	1	pc
5		400W blower (2.4m Gecko power cable)	01.03.05.0243	1	pc
6		3 HP two speed pump (2.4m Gecko power cable)	01.03.05.0174	1	pc
7		3 HP single speed pump (2.4m Gecko power cable)	01.03.05.0245	1	pc

08 SPA MODEL “TARANTO”

FEATURES	
Factory model name	HR-HE771-2B2
Allseas spas model	OS 602
Size	2300 x 2400 x 920 mm
Seating	4
Lounge	2
Empty weight	426 kg
Water capacity	1650 Liters
Hydro jets	59
Air jets	-
Control system	Gecko
Inverter system	No
Jet pump	2 x two-speed 3 HP
Heated air blower	No
Circulation pump	1 x 0.5 HP
Heater	3 kW
LED large spotlight	No
LED waterfall	No
Fitting with LED backlight	Yes
Perimeter LED light system	Yes
Ozone and mixing unit	Yes
Filtration system	Paper / 2 x 4.65 m ²
Head cushions	4
High density foam insulation	25 - 30 mm
Thermo lock system	Yes
Base	Fiberglass
Thermal cover	Yes
Jets	Chrome
Frame	Treated Wood
Cabinet	Wood Replacement
IN. Stream Stereo System	Optional
IN. Touch WiFi Module	Optional
Rolldeck	Optional
Maximum Power Input	4808 W
Packing	Plastic Zipper Bag
Power supply	220/240V -50 Hz Single phase (Three phase optional)



SHELL COLOR OPTION:

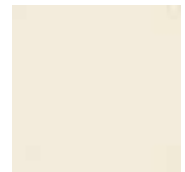
REGULAR COLOR



Sterling Silver



Storm clouds III



Alba

CUSTOMIZED COLOR



Winter Solstice

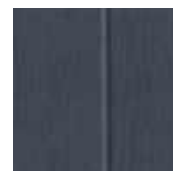


Ocean Wave



Tuscan Sun

CABINET COLOR OPTION:



Dark Grey

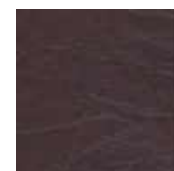


Brown

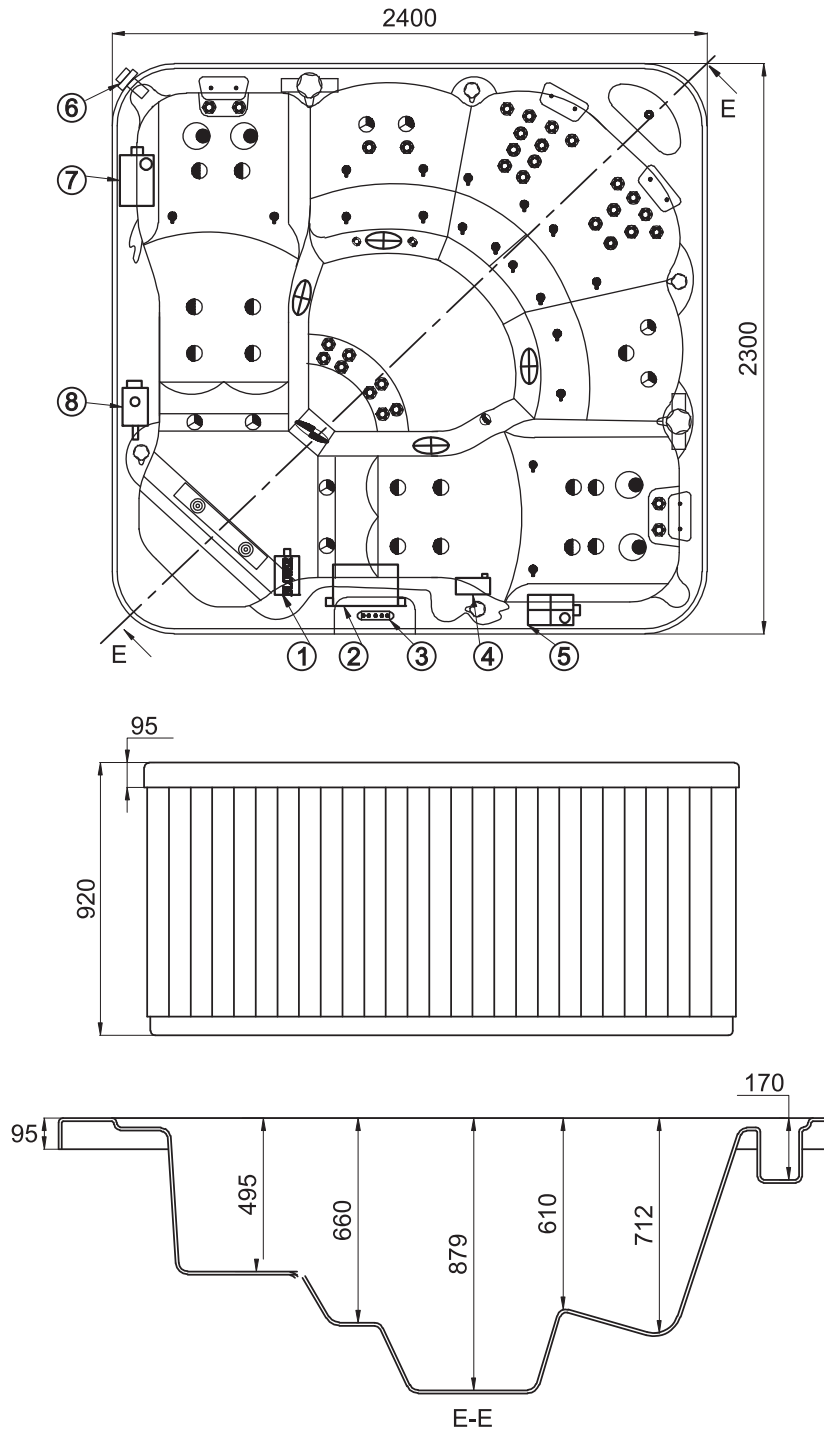
COVER COLOR OPTION:





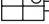


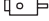


Charcoal Grey



Brown



NO	ICON	DESCRIPTION	PART #	QTY.	UNIT
1		400W blower (2.4m Gecko power cable)	01.03.05.0243	1	pc
2		IN.YE-5-H3.0 control box	01.03.05.0348	1	pc
3		IN.K450 control panel	01.03.05.0128	1	pc
4		CP ozone generator (2.4m Gecko power cable)	01.03.05.0246	1	pc
5		3 HP two speed pump (2.4m Gecko power cable)	01.03.05.0174	1	pc
6		External drain	01.03.05.0183	1	pc
7		3 HP single speed pump (2.4m Gecko power cable)	01.03.05.0245	1	pc
8		0.5 HP circulation pump (2.8m power cable)	01.03.05.0525	1	pc

09 SPA MODEL "MOLFETTA"

FEATURES	
Factory model name	RA310S
Allseas spas model	Rock tub
Size	Ø1980 x 920 mm
Seating	4
Lounge	-
Empty weight	303 kg
Water capacity	820 Liters
Hydro jets	19
Air jets	No
Control system	Gecko
Inverter system	No
Jet pump	1 x Two-speed 2.5HP
Heated air blower	No
Circulation pump	1 x 0.5 HP
Heater	3 kW
LED large spotlight	Yes
LED waterfall	No
Fitting with LED backlight	No
Perimeter LED light system	Yes
Ozone and mixing unit	Yes
Filtration system	Paper / 1 x 6.97 m ²
Head cushions	No
High density foam insulation	25 - 30 mm
Thermo lock system	Yes
Base	Fiberglass
Thermal cover	Yes
Jets	Chrome
Frame	Steel
Cabinet	Wood Replacement
IN. Stream Stereo System	Optional
IN. Touch WiFi Module	Optional
Rolldeck	Optional
Maximum Power Input	3368 W
Packing	Plastic Zipper Bag
Power supply	220/240V -50 Hz Single phase (Three phase optional)

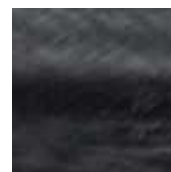


SHELL COLOR OPTION:

REGULAR COLOR



Sterling Silver



Storm clouds III



Alba

CUSTOMIZED COLOR



Winter Solstice



Ocean Wave

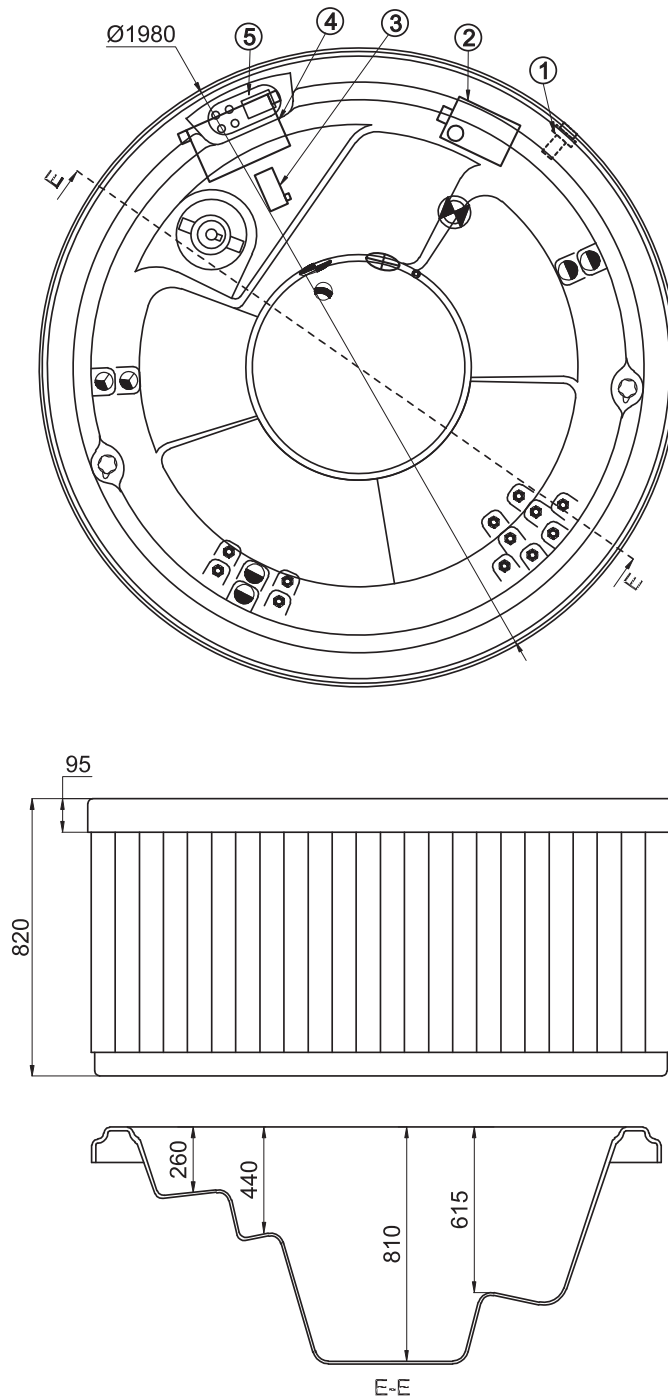



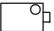
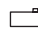


Tuscan Sun

COVER COLOR OPTION:



Charcoal Grey



NO	ICON	DESCRIPTION	PART #	QTY.	UNIT
1		External drain	01.03.05.0183	1	pc
2		3 HP single speed pump (2.4m Gecko power cable)	01.03.05.0245	1	pc
3		CP ozone generator	01.03.05.0035	1	pc
4		IN.YE-5-H3.0 control box	01.03.05.0348	1	pc
5		IN.K450 control panel	01.03.05.0128	1	pc

10 SPA MODEL “FAENZA”

FEATURES	
Factory model name	IDS710
Allseas spas model	River Flow Round
Size	Ø2300 x 970 mm
Seating	7
Lounge	-
Empty weight	221 kg
Water capacity	1400 Liters
Hydro jets	38
Air jets	8
Control system	Gecko
Inverter system	Optional
Jet pump	2 x two-speed 3 HP
Heated air blower	Yes
Circulation pump	Aqua flow 1/8 HP
Heater	3 kW
LED large spotlight	Yes
LED waterfall	No
Fitting with LED backlight	No
Perimeter LED light system	Yes
Ozone and mixing unit	Venturi
Filtration system	Sand Filter
Ballast Tank	Yes
High density foam insulation	25 - 30 mm
Thermo lock system	Yes
Base	No
Thermal cover	Luxe
Jets	Chrome
Frame	Steel
Cabinet	No
IN. Stream Stereo System	No
IN. Touch WiFi Module	Optional
Roll deck	Optional
On/Off switch	Yes
Maximum Power Input	5228 W
Packing	Plastic Zipper Bag
Power supply	220/240V -50 Hz Single phase (Three phase optional)



SHELL COLOR OPTION:

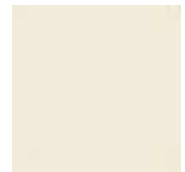
REGULAR COLOR



Sterling Silver



Storm clouds III



Alba

CUSTOMIZED COLOR



Winter Solstice



Ocean Wave

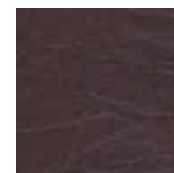


Tuscan Sun

COVER COLOR OPTION:

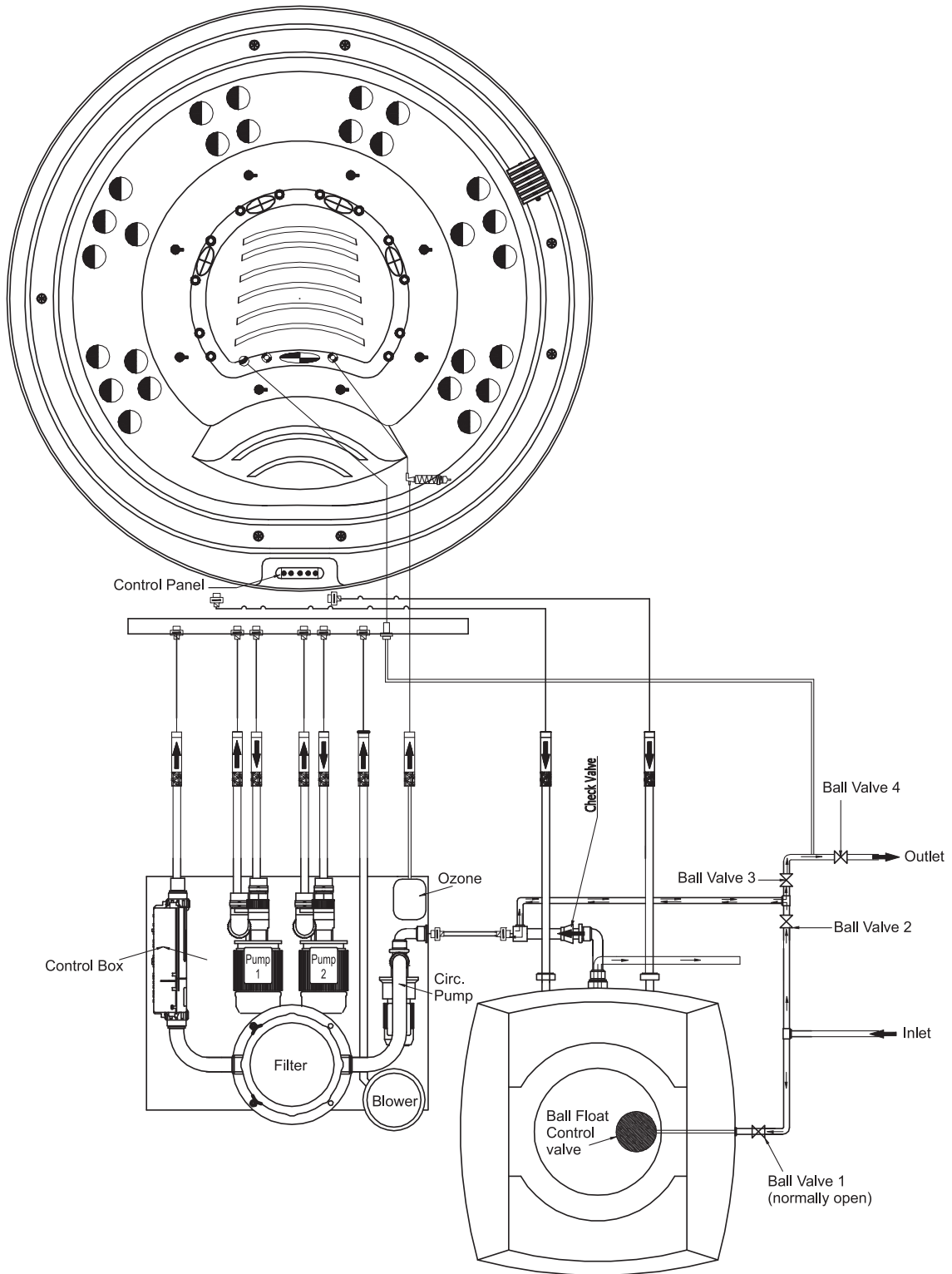


Charcoal Grey



Brown





11 SPA MODEL "TIRRENI"

FEATURES	
Factory model name	WR-AL44D-3P-1A2
Allseas spas model	Arctic 44 Elite
Size	4400 x 2350 x 1290 mm
Seating	1
Lounge	1
Water capacity	5200 Liters
Directional swim jets	3" Turbo jets*3
Hydro jets	45
Air jets	No
Control system	Gecko
Inverter system	No
Jet pump	3 x one-speed 3 HP
Heated air blower	No
Circulation pump	1 x 1.0 HP
Heater	3 kW
LED large spotlight	Yes
LED waterfall	No
Fitting with LED backlight	Yes
Perimeter LED light system	Yes
Ozone and mixing unit	Yes
Filtration system	Paper / 2 x 4.65 m ²
Head cushions	1
High density foam insulation	25 - 30 mm
Thermo lock system	Yes
Base	ABS
Thermal cover	Luxe
Jets	Chrome
Frame	Steel
Cabinet	Wood Replacement
Sport pack	Yes
Stainless steel handrail	Yes
IN. Stream Stereo System	No
IN. Touch WiFi Module	Optional
Rolldeck	Optional
Maximum Power Input	7380 W
Packing	Plastic Zipper Bag
Power supply	220/240V -50 Hz Single phase (Three phase optional)



SHELL COLOR OPTION:

REGULAR COLOR



Sterling Silver



Storm clouds III



Alba

CUSTOMIZED COLOR



Winter Solstice

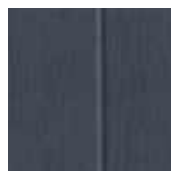


Ocean Wave



Tuscan Sun

CABINET COLOR OPTION:



Dark Grey

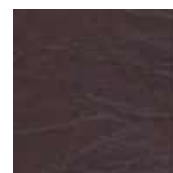


Brown

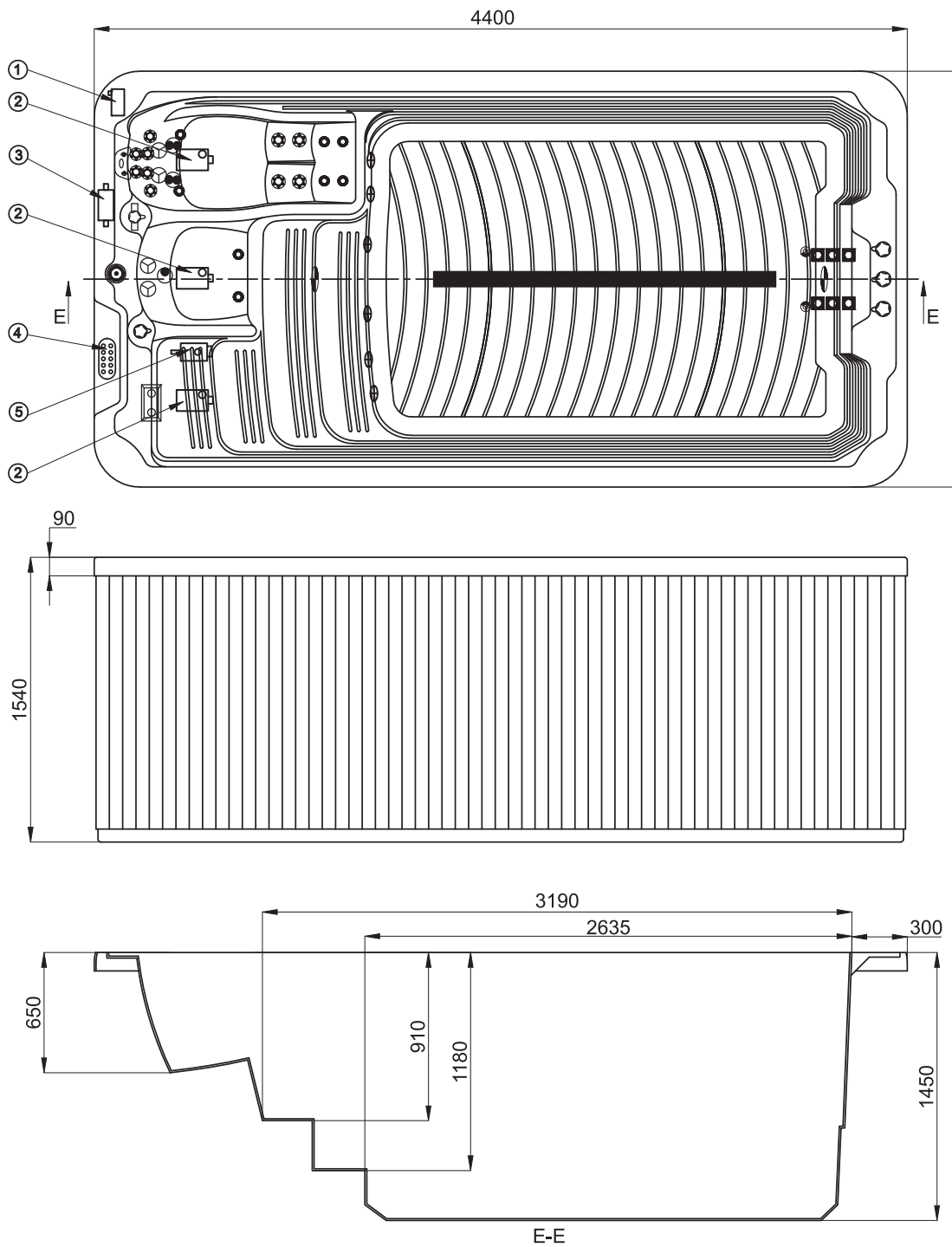
COVER COLOR OPTION:


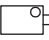
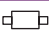
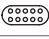



Charcoal Grey



Brown



NO	ICON	DESCRIPTION	PART #	QTY.	UNIT
1		CP ozone generator	01.03.05.0035	1	pc
2		3 HP Single speed pump (2.8m power cable)	01.03.05.0016	3	pcs
3		Control box		1	pc
4		Control panel		1	pc
5		1HP circulation pump (3m power cable)	01.03.05.0092	1	pc

12 SPA MODEL “HERCULANEUM”

FEATURES	
Factory model name	WR-AL55D-3P-1A2
Allseas spas model	Atlantic 55 Elite
Size	5500 x 2350 x 1290 mm
Seating	1
Lounge	1
Water capacity	6500 Liters
Directional swim jets	3”Turbo jets*3
Hydro jets	45
Air jets	No
Control system	Gecko
Inverter system	No
Jet pump	3 x one-speed 3 HP
Heated air blower	No
Circulation pump	1 x 1.0 HP
Heater	3 kW
LED large spotlight	Yes
LED waterfall	No
Fitting with LED backlight	Yes
Perimeter LED light system	Yes
Ozone and mixing unit	Yes
Filtration system	Paper / 2 x 4.65 m ²
Head cushions	1
High density foam insulation	25 - 30 mm
Thermo lock system	Yes
Base	ABS
Thermal cover	Luxe
Jets	Chrome
Frame	Steel
Cabinet	Wood Replacement
Sport pack	Yes
Stainless steel handrail	Yes
IN. Stream Stereo System	No
IN. Touch WiFi Module	Optional
Rolldeck	Optional
Maximum Power Input	Spa part: 4532 W - Swim part: 7380 W
Packing	Plastic Zipper Bag
Power supply	220/240V -50 Hz Single phase (Three phase optional)



SHELL COLOR OPTION:

REGULAR COLOR



Sterling Silver



Storm clouds III



Alba

CUSTOMIZED COLOR



Winter Solstice

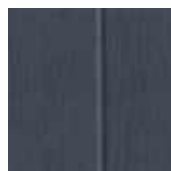


Ocean Wave



Tuscan Sun

CABINET COLOR OPTION:



Dark Grey

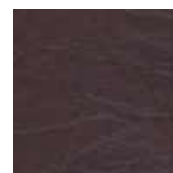


Brown

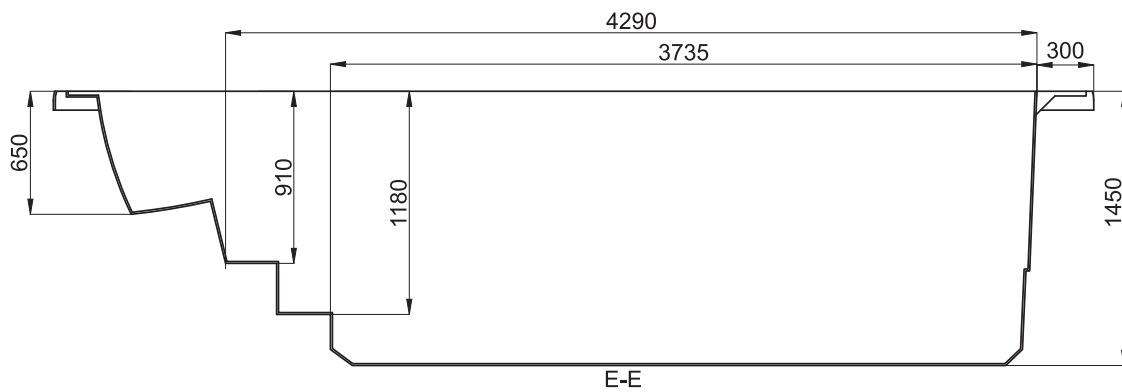
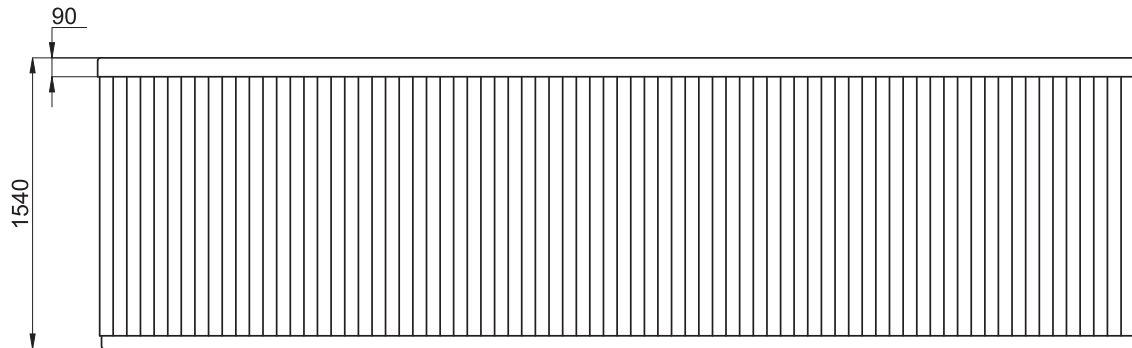
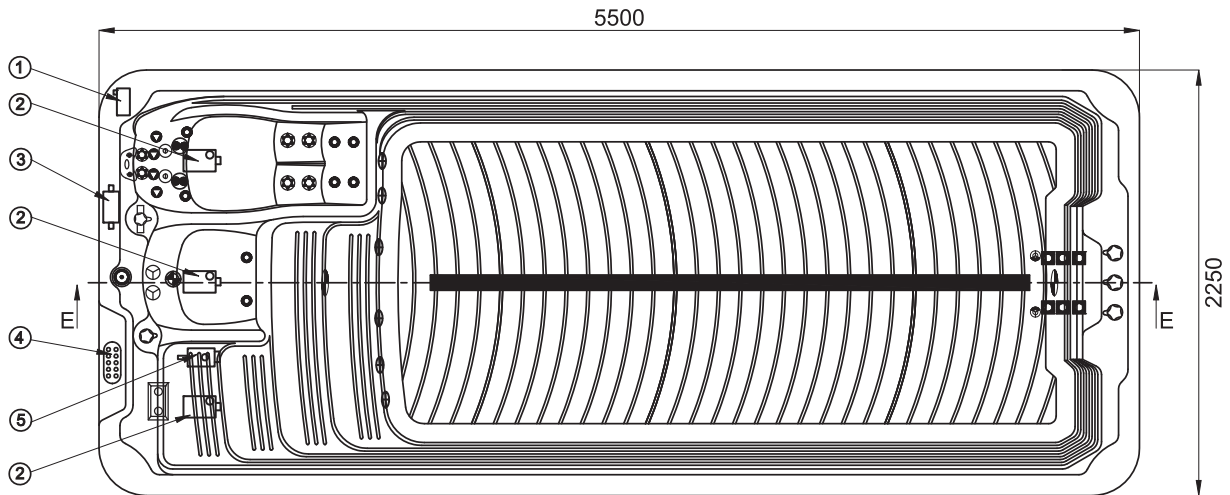
COVER COLOR OPTION:


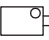
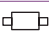




Charcoal Grey



Brown



NO	ICON	DESCRIPTION	PART #	QTY.	UNIT
1		CP ozone generator	01.03.05.0035	1	pc
2		3 HP Single speed pump (2.8m power cable)	01.03.05.0016	3	pcs
3		Control box		1	pc
4		Control panel		1	pc
5		1HP circulation pump (3m power cable)	01.03.05.0092	1	pc

13 SPA MODEL "MONZA"

FEATURES	
Factory model name	WR-AT602D-3P-1A2
Allseas spas model	Pacific 60 Elite
Size	5900 x 2350 x 1290 mm
Seating	4
Lounge	1
Water capacity	7600 Liters
Directional swim jets	3" Turbo jets*3
Hydro jets	35
Air jets	12
Control system	Gecko
Inverter system	No
Jet pump	Spa part: 2 x one-speed 3 HP Swim part: 3 x one-speed 3 HP
Heated air blower	No
Circulation pump	Spa part: 1 x Aquaflow 1/8 HP Swim part: 1 x 1.0 HP
Heater	Spa part: 1 x 3 kW Swim part: 1 x 3 kW
LED large spotlight	Yes
LED waterfall	No
Fitting with LED backlight	Yes
Perimeter LED light system	Yes
Ozone and mixing unit	Yes
Filtration system	Spa part: Paper / 2 x 4.65 m ² Swim part: Paper / 2 x 4.65 m ²
Head cushions	3
High density foam insulation	25 - 30 mm
Thermo lock system	Yes
Base	ABS
Thermal cover	Luxe
Jets	Chrome
Frame	Steel
Cabinet	Wood Replacement
Sport pack	Yes
Stainless steel handrail	Yes
IN. Stream Stereo System	No
IN. Touch WiFi Module	Optional
Rolldeck	Optional
Maximum Power Input	Spa part: 4532 W - Swim part: 7380 W
Packing	Plastic Zipper Bag
Power supply	220/240V -50 Hz Single phase (Three phase optional)

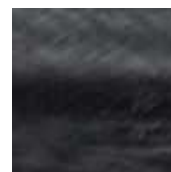


SHELL COLOR OPTION:

REGULAR COLOR



Sterling Silver



Storm clouds III



Alba

CUSTOMIZED COLOR



Winter Solstice

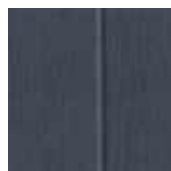


Ocean Wave



Tuscan Sun

CABINET COLOR OPTION:

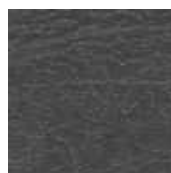


Dark Grey

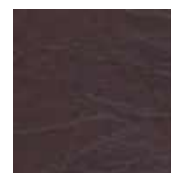


Brown

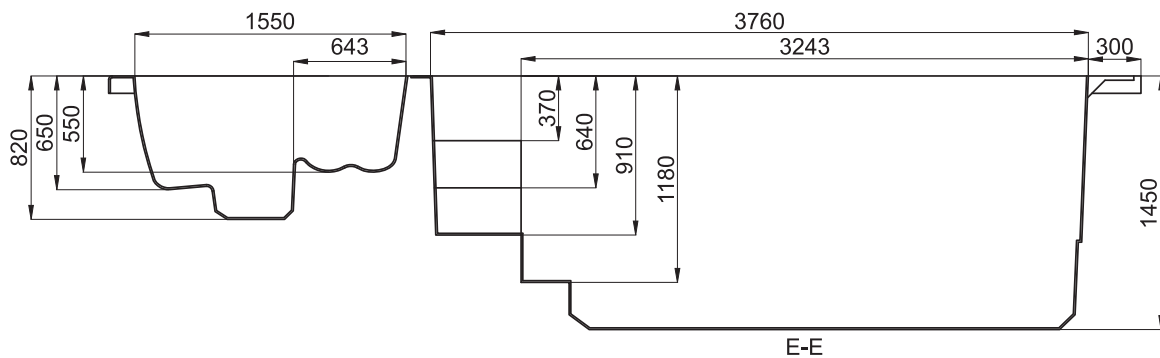
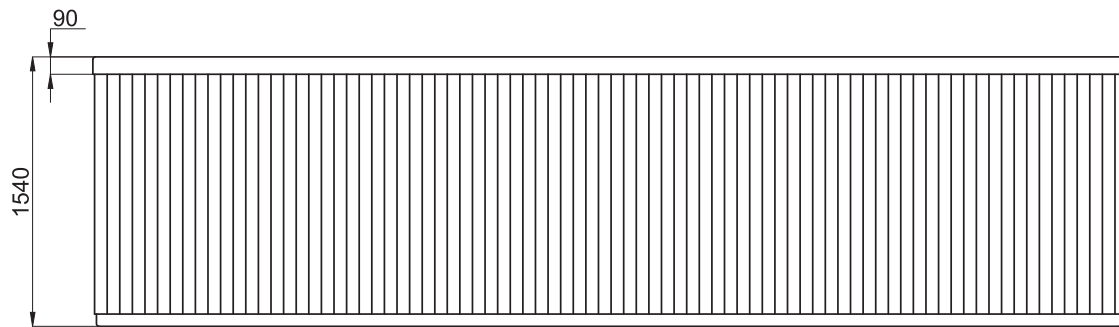
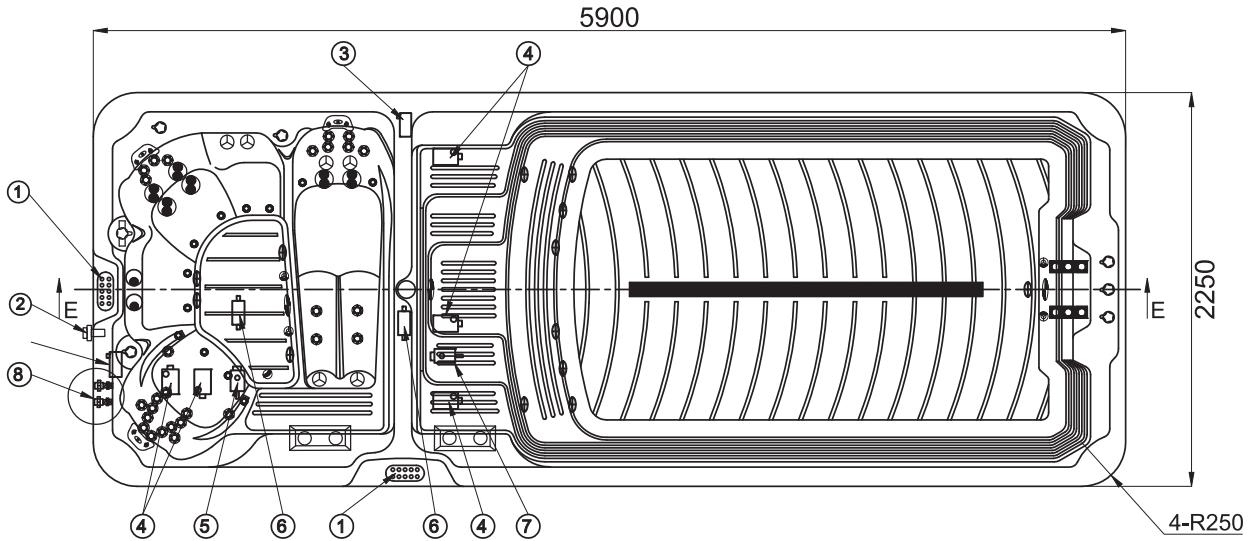
COVER COLOR OPTION:

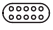


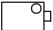






Charcoal Grey



Brown



NO	ICON	DESCRIPTION	PART #	QTY.	UNIT
1		Control panel		2	pcs
2		External drain	01.03.05.0183	1	pc
3		CP ozone generator	01.03.05.0035	2	pcs
4		3 HP Single speed pump (2.8m power cable)	01.03.05.0016	5	pcs
5		0.5HP circulation pump (2.8m power cable)	01.03.05.0001	1	pc
6		Control box		2	pcs
7		1HP circulation pump (3m power cable)	01.03.05.0092	1	pc
8		Heat pump ready union	01.03.05.0002	2	pcs

14 SPA ACCESSORIES



SPA COVER LIFTER



GAZEBO



SAFETY HANDRAIL



MOVABLE TABLE



TOWEL HOLDER



STEP FOR SPA

CODE	DESCRIPTION	PACKING	WEIGHT	VOLUME
			kg	m ³
SP-102	Spa cover lifter	1		
SP-111	Gazebo	1		
SP-113	Safety Handrail	1		
SP-114	Movable Table	1		
SP-115	Towel Holder	1		
SP-116	Step for Spa	1		

15 PNEUMATIC BUTTONS

PIEZOELECTRIC PUSH-BUTTON

- Piezoelectric push-button d.26 with resin-coated connection cable 2 m.
- IP 68 with ON-OFF function. Comes with:
 - Piezo push-button
 - Fastening ring nut
 - Drilled 2" support



CODE	PACKING	WEIGHT	VOLUME
		kg	m ³
100160422C	1	0.1	0.001

PNEUMATIC PUSH BUTTON

Abs Pneumatic push button

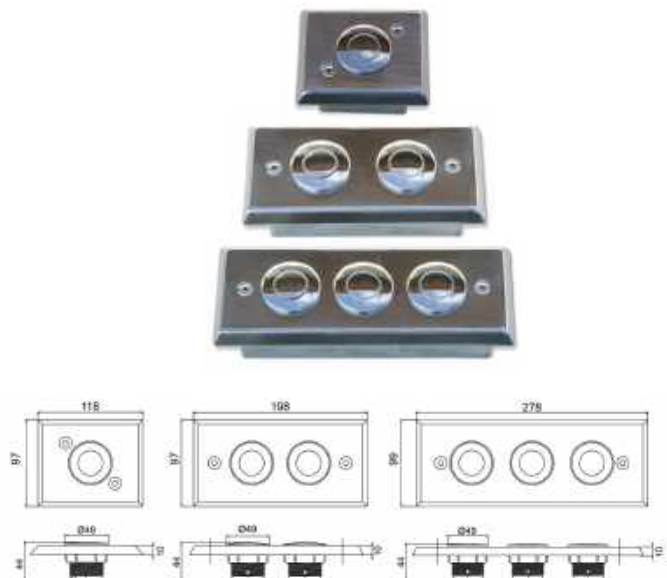
CODE	PACKING	WEIGHT	VOLUME
		kg	m ³
SP-172	1	0.1	0.001
SP-173	1	0.1	0.001



STAINLESS STEEL PNEUMATIC BUTTONS

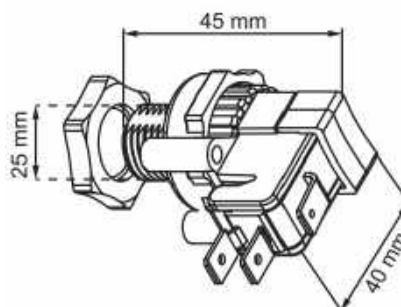
Made of AISI 316/L-V4A stainless steel

CODE	DESCRIPTION	PACKING	WEIGHT	VOLUME
			kg	m ³
SP-124	With 1 button to set on the border	1		
SP-125	With 2 buttons to set on the border	1		
SP-126	With 3 buttons to set into the pool	1		



16 PNEUMATIC SWITCH

Converts pneumatic signals into electric ones.



CODE	DESCRIPTION	PACKING	WEIGHT	VOLUME
			kg	m ³
SP-130	For max. 15m	25	1.0	0.028

17 SPA JETS

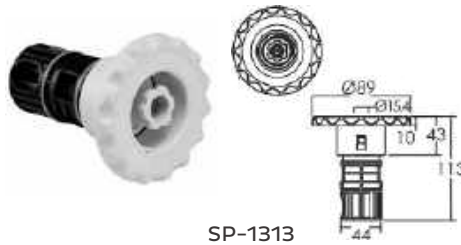
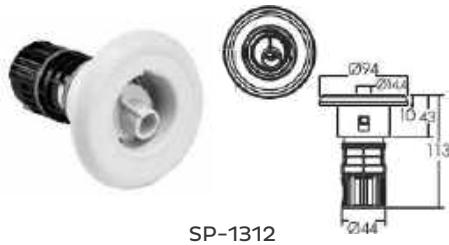
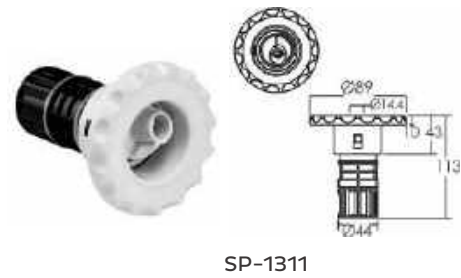
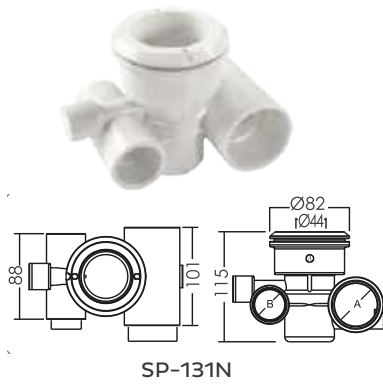
ABS WALL HYDRO MASSAGE FITTINGS



CODE	DESCRIPTION	PACKING	WEIGHT	VOLUME
			kg	m ³
17100	Adjust. Std type- cover flange Ø110mm conn. water Ø33 for Concrete	1		
17101	Adjust. Std type- cover flange Ø110mm conn. water Ø33 for Liner	1		
17104	Rotor type- cover flange Ø110mm conn. water Ø33 for Concrete	1		
17105	Rotor type- cover flange Ø110mm conn. water Ø33 for Liner	1		
17108	Standard type with 7 jets cover flange Ø110mm conn. water Ø33 for Concrete	1		
17109	Standard type with 7 jets cover flange Ø110mm conn. water Ø33 for Liner	1		
17159	AISI 316/L - V4A Stainless Steel Plate for cover	1		

ABS JETS

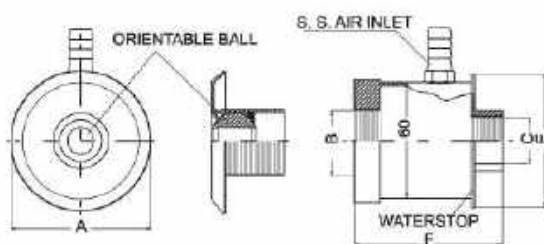
• ABS spa jets



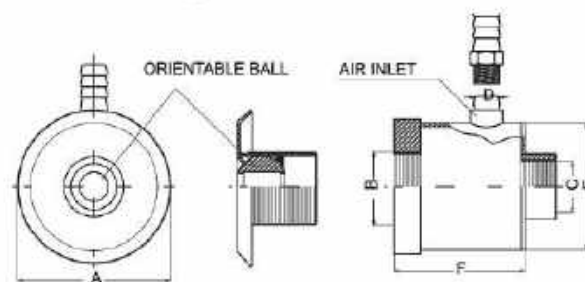
CODE	DESCRIPTION	FLOW RATE	PACKING	WEIGHT	VOLUME
		m ³ /h		kg	m ³
SP-131N	32mm air & 50 mm water tee body	4.56	1		
SP-1311	Swirl jet	1.02	1		
SP-1312	Smooth face swirl jet	1.02	1		
SP-1313	Standard jet	1.02	1		
SP-1314	Smooth face standard jet	1.02	1		

STAINLESS STEEL HYDROMASSAGE INLET - ORIENTABLE

• Shiny finished



17013 - 17014

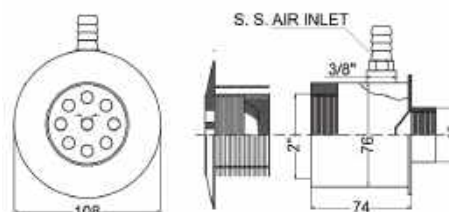


17001 - 17002 - 17003 - 17004 - 17005 - 17006

CODE	DESCRIPTION	FLOW RATE	DIMENSIONS						PACKING	WEIGHT	VOLUME
		m ³ /h	A	B	C	D	E	F		kg	m ³
17013	Standard hydromassage inlet- 1" for Concrete	2.5	76	1"	3/4"	-	70	80	1		
17014	Standard hydromassage inlet- 1" for Liner	2.5	76	1"	3/4"	-	70	80	1		
17001	Wall inlet Standard threaded- 1 1/2" for Concrete	4	102	1 1/2"	1"	3/8"	76	75	1		
17002	Wall inlet Standard threaded- 2" for Concrete	6	105	2"	1"	3/8"	76	75	1		
17003	Wall inlet Standard threaded- 3" for Concrete	8.5	130	3"	1 1/2"	1/2"	102	105	1		
17004	Wall inlet Standard threaded- 1 1/2" for Liner	4	102	1 1/2"	1"	3/8"	76	75	1		
17005	Wall inlet Standard threaded- 2" for Liner	6	105	2"	1"	3/8"	76	75	1		
17006	Wall inlet Standard threaded- 3" for Liner	8.5	145	3"	1 1/2"	1/2"	102	105	1		

STAINLESS STEEL HYDRO-MASSAGE INLET

- Wall and floor hydro-massage inlets with 9 air and water jets.
- Made of AISI 316/L-V4A stainless steel.
- Flow rate 80 l/m.



CODE	DESCRIPTION	FLOW RATE	PACKING	WEIGHT	VOLUME
		m ³ /h		kg	
SP-120	S.Steel Hydro-massage inlet for Concrete	5	1		
SP-121	S.Steel Hydro-massage inlet for Liner	5	1		

18 AIR NOZZLE

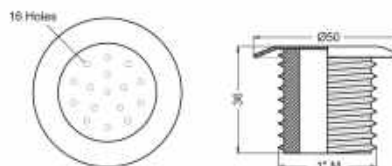
ABS AIR NOZZLE



CODE	DESCRIPTION	FLOW RATE	PACKING	WEIGHT	VOLUME
		m ³ /h		kg	
SP-170	ABS Air nozzle		1		

STAINLESS STEEL AIR HYDRO-MASSAGE MINI INLET

- Mini Air inlet 1", 16 holes.
- Made of AISI 316/L-V4A stainless steel.

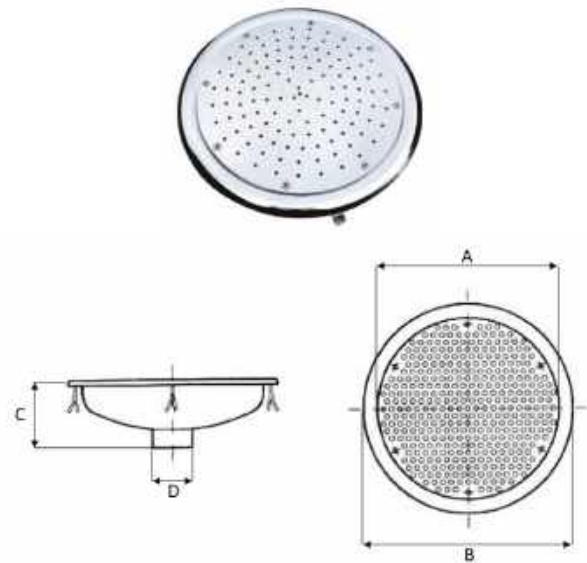


CODE	FLOW RATE	PACKING	WEIGHT	VOLUME
	m ³ /h		kg	
SP-146	5	1		

19 STAINLESS STEEL AIR HYDRO-MASSAGE PLATES

STAINLESS STEEL AIR HYDRO-MASSAGE MILLEBOLLE

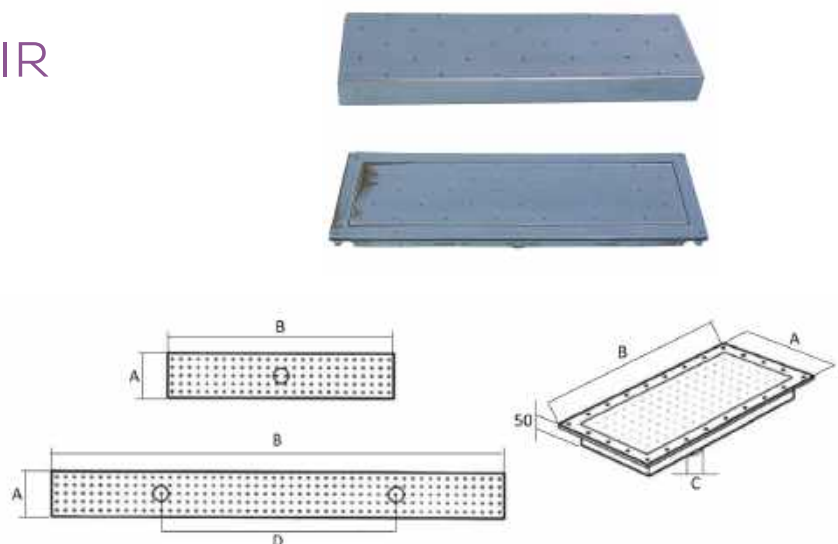
- AISI 316/L - V4A Stainless Steel - Shiny inished



POOL	CODE	DIMENSION				FLOW RATE m ³ /h	PACKING	WEIGHT kg	VOLUME m ³
		A	B	C	D				
Concrete	75115	320	340	88	2" F	70	1		
Liner	75117	320	365	88	2" F	70	1		

STAINLESS STEEL AIR HYDRO-MASSAGE PLATES

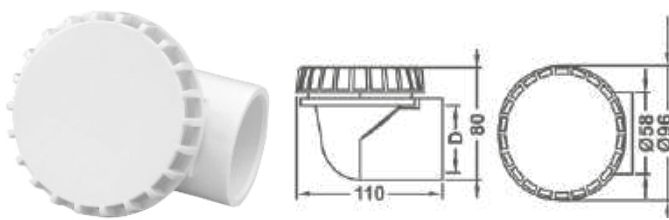
- Made of AISI 316/L-V4A stainless steel



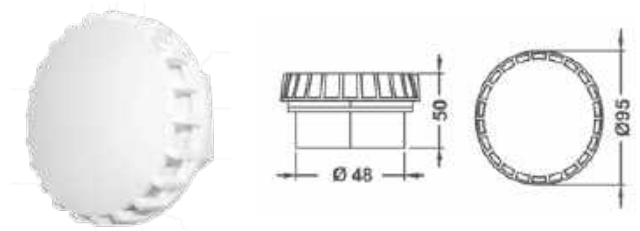
POOL	CODE	DIMENSION				FLOW RATE m ³ /h	PACKING	WEIGHT kg	VOLUME m ³
		A	B	C	D				
Concrete	SP-147	150	500	1 x 2"	-	50	1		
	SP-148	150	750	1 x 2"	-	70	1		
	SP-149	150	1500	2 x 1½"	1000	100	1		
Liner	SP-150	220	500	1 x 2"	-	50	1		
	SP-151	220	750	1 x 2"	-	70	1		
	SP-152	220	1500	2 x 1½"	1000	100	1		

20 SPA SECTION DRAIN AND WATER RETURN

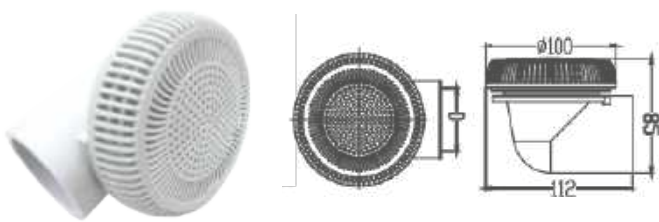
Made of ABS & PVC



SP-174



SP-175



SP-176

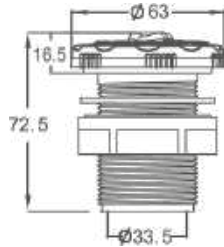


SP-177

CODE	DESCRIPTION	PACKING	WEIGHT	VOLUME
			kg	m ³
SP-174	2 Section drain ell body (slip fit)	1		
SP-175	2 Section drain straight body	1		
SP-176	Swirl type water return	1		
SP-177	Water return	1		

21 AIR CONTROLLER

Made of ABS



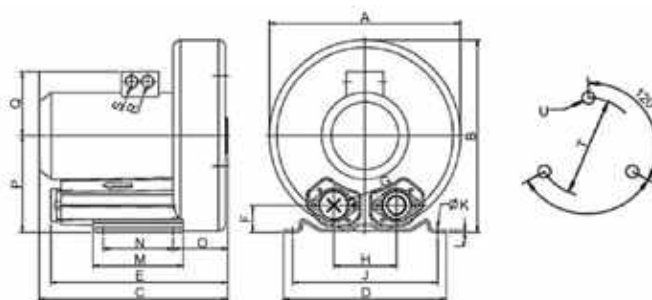
CODE	DESCRIPTION	PACKING	WEIGHT	VOLUME
			kg	m ³
SP-171	Standard air control	1		

22 AIR BLOWERS



SIDE CHANNEL BLOWERS

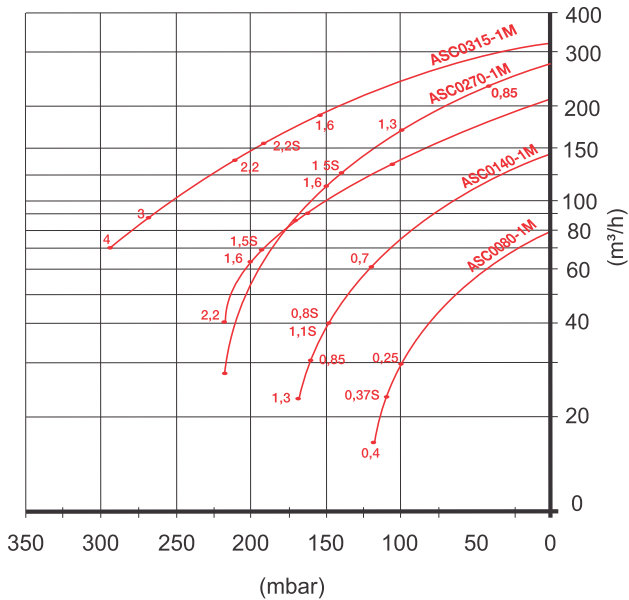
- Maintenance free through external permanently greased bearings, non-contact impellers and fan cooled motors.
- Environmentally safe through oil-free compression, low energy consumption and low noise level.
- User-friendly through robust yet lightweight construction of all sizes due to die cast aluminum construction, ability to mount in vertical or horizontal positions and are suitable for use with variable speed control.
- Worldwide use through the 50/60 Hz frequency ability and many voltage ranges, with motors that have insulation class H and IP 55 protection level, with built in overheating protection and the CE, UL & CSA certifications.
- Customization – units can be customized to your specific needs.



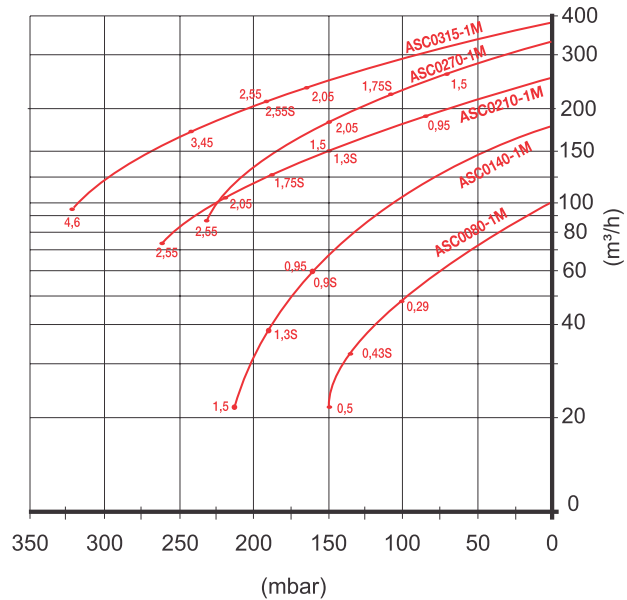
CODE	DIMENSIONS																			
	A	B	C	D	E	F	G	H	J	K	L	M	N	O	P	Q	R	S	T	U
ASC0080-1MA370-1	246	247	256	230	229	39	G 1 1/4"	90	205	10	2.5	108	83	71	128	111	M25x1.5	M16x1.5	140	M6x15
ASC0140-1MA800-1	280	302	269	255	240	46	G 1 1/2"	115	225	12	3	130	95	75	154	120	M25x1.5	M16x1.5	174	M6x15
ASC0210-1MA111-1	334	337	314	295	318	48	G2"	120	260	14	4	155	115	87	175	120	M25x1.5	M16x1.5	200	M8x20
ASC0270-1MA151-1	334	337	346	295	336	48	G2"	120	260	14	4	155	115	87	175	128	M25x1.5	M16x1.5	200	M8x20
ASC0315-1MA221-1	382	384	377	325	353	54	G2"	125		15	4.5	180	140	109	198	128	M25x1.5	M16x1.5	240	M10x20
ASC0080-1MT400-6	246	247	256	230	229	39	G 1 1/4"	90	205	10	2.5	108	83	71	128	111	M25x1.5	M16x1.5	140	M6x15
ASC0140-1MT850-6	280	302	269	255	240	46	G 1 1/2"	115	225	12	3	130	95	75	154	120	M25x1.5	M16x1.5	174	M6x15
ASC0210-1MT131-6	334	337	314	295	318	48	G2"	120	260	14	4	155	115	87	175	120	M25x1.5	M16x1.5	200	M8x20
ASC0270-1MT131-6	334	337	334	295	336	48	G2"	120	260	14	4	155	115	87	175	120	M25x1.5	M16x1.5	200	M8x20
ASC0315-1MT221-6	382	384	377	325	353	54	G2"	125		15	4.5	180	140	109	198	128	M25x1.5	M16x1.5	240	M10x20

PHASE	CODE	VOLTAGE	POWER		FLOW	MAX. VACUUM/ PRESSURE	NOISE LEVEL	CONN.	PACKING	WEIGHT	VOLUME
		V	Hz	kW	m ³ /h	hPa (mbar)	db			kg	m ³
Single	ASC0080-1MA370-1	230	50	0.37	80	-110/110	53	1¼"	1	11	
	ASC0140-1MA800-1		50	0.8	140	-150/160	63	1½"	1	15	
	ASC0210-1MA111-1		50	1.1	210	-160/160	64	2"	1	21	
	ASC0270-1MA151-1		50	1.5	270	-140/120	65	2"	1	26	
	ASC0315-1MA221-1		50	2.20	315	-190/190	72	2"	1	30	
Three	ASC0080-1MT400-6	△ 200 - 240 Y 345 - 415	50	0.4	80	-120/130	53	1¼"	1	10	
	ASC0140-1MT850-6		50	0.85	140	-160/160	63	1½"	1	16	
	ASC0210-1MT131-6		50	1.3	210	-170/170	64	2"	1	22	
	ASC0270-1MT131-6		50	1.3	270	-100/100	65	2"	1	23	
	ASC0315-1MT221-6		50	2.2	315	-200/190	69	2"	1	30	

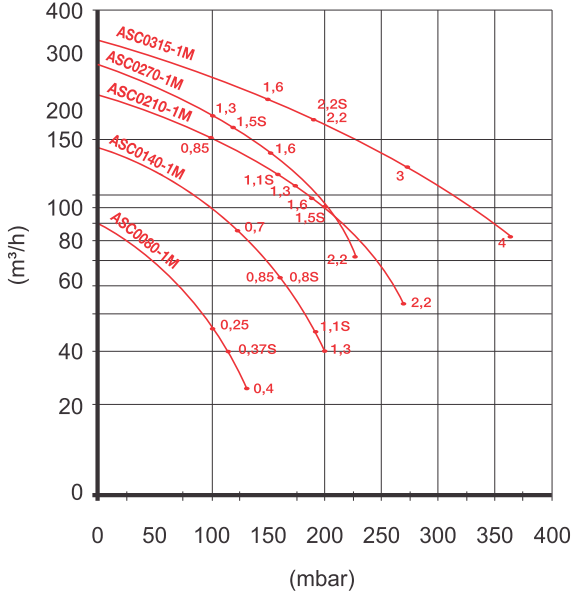
VACUUM AT 50 Hz



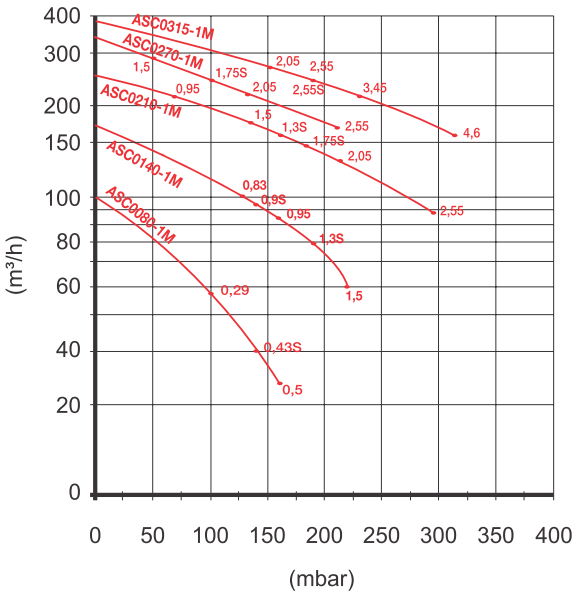
VACUUM AT 60 Hz



PRESSURE AT 50 Hz



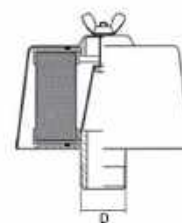
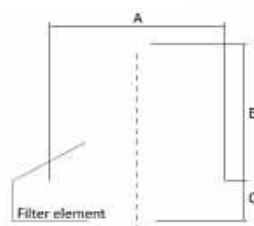
PRESSURE AT 60 Hz



23 SUCTION FILTERS FOR PRESSURE

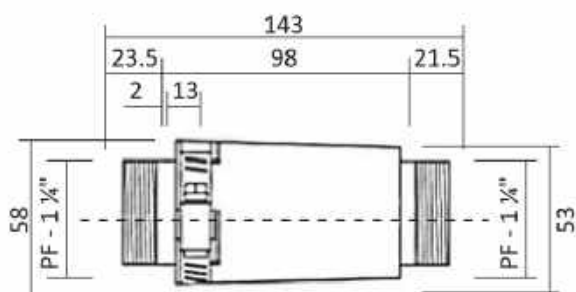


- Filtration: 40 µm.
- Maximum temperature: 50° C.
- Filtering Element: Papel



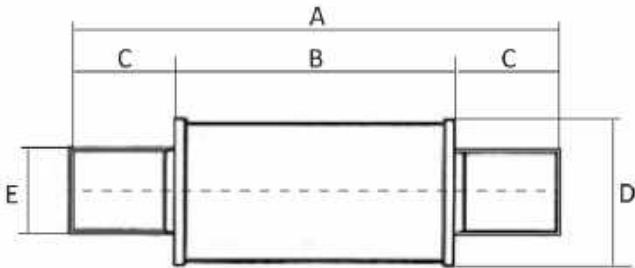
CODE	FLOW	SURFACE	DIMENSIONS				PACKING	WEIGHT	VOLUME
	m ³ /h		m ²	A	B	C		D	
SP-156	210	<4	Ø 130	130	45	1¼"	1	0.9	
SP-157	270	4 - 6	Ø 172	160	50	1½"	1	1.5	
SP-158	480	6 - 8	Ø 195	160	60	2"	1	2.1	

24 PRESSURE & VACUUM RELIEF VALVES

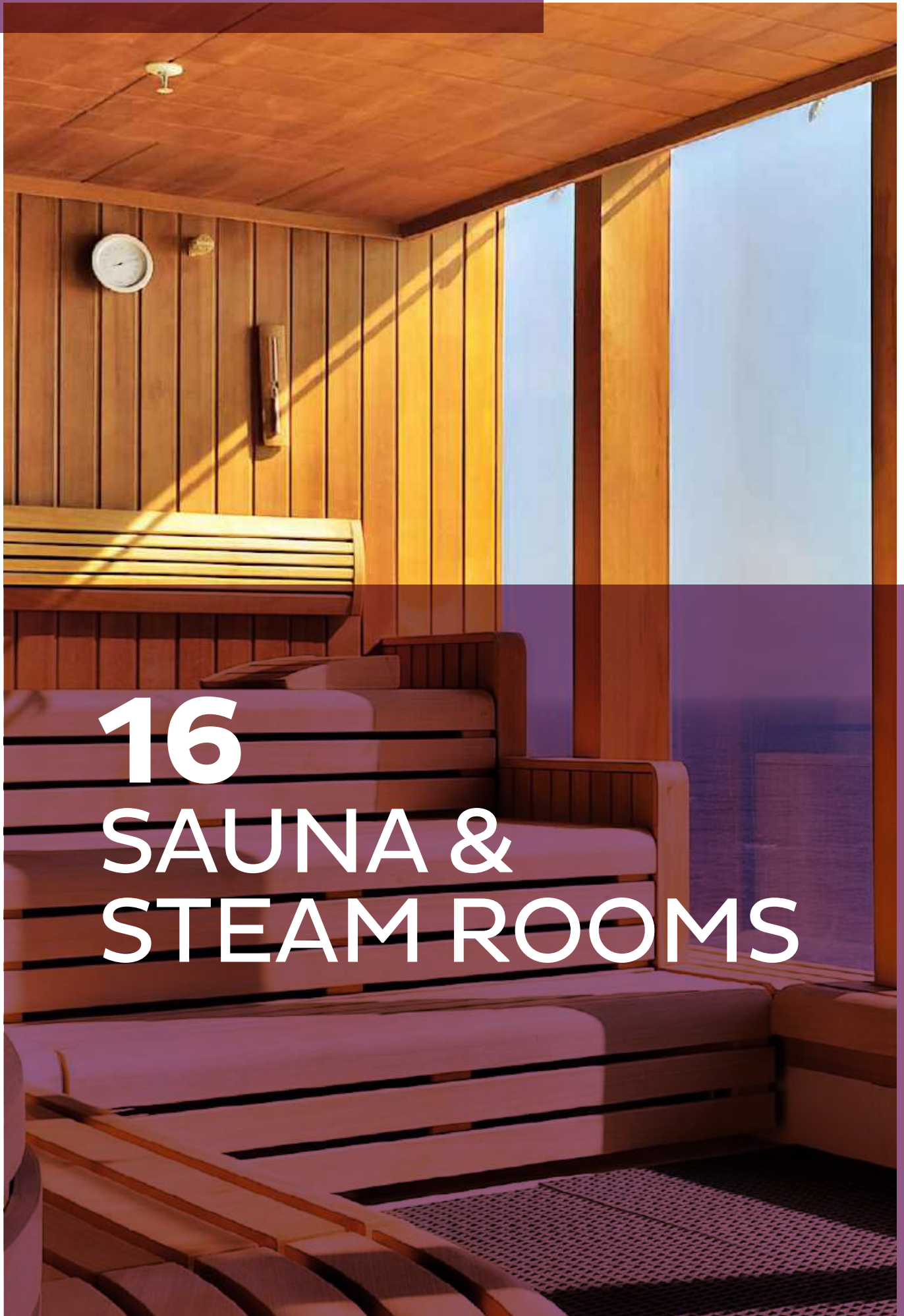


CODE	PT	L	DIMENSIONS	PACKING	WEIGHT	VOLUME
		mm			kg	
SP-159	1¼"	143	0-3000mm Aq	1		
SP-160	1¼"	143	0-6000mm Aq	1		

25



CODE	DIMENSIONS					PACKING	WEIGHT	VOLUME
	A	B	C	D	E		kg	m ³
SP-161	230	168	31	Ø 77	1¼"	1		
SP-162	262	198	32	Ø 87	1½"	1		
SP-163	266	198	34	Ø 98	2"	1		



16 SAUNA & STEAM ROOMS

INDEX

01	SAUNA ROOMS	560
02	SAUNA ROOM ACCESSORIES	563
03	SAUNA HEATERS	573
04	STEAM ROOMS	576
05	EPS PANEL CUSTOMIZED STEAM ROOM	580
06	SAUNA & STEAM BATH MODULE	590
07	STEAM GENERATOR	598

01 SAUNA ROOMS

sauna
SWEDEN

A sauna is total relaxation and cleansing for body and soul.

SAUNA ROOMS

Sauna rooms come in different shapes and sizes, from 2 persons up to 11 persons capacity, with over 30 different designs to choose from.

Most common saunas are indoor sauna rooms. Indoor sauna rooms are more private.

It is more convenient to position the sauna near the bathroom or Jacuzzi because as a rule, sauna requires a shower or a bath before using it.

There are four different standard designs available:

- **BOX TYPE SAUNA ROOM:** It is ideal for easy installation on any given space along with its traditional box type appearance and cozy interior.
- **CORNER SAUNA ROOMS:** Designed to ingeniously fit in on corners of the premises without sacrificing convenience. It reduces the needed doorway space.
- **OUTDOOR SAUNA ROOMS:** An exquisite scenery to a very satisfying sauna bath. Best placed near swimming pools or bathing facilities. It stands strong to resist nature's harsh elements with its high enduring asphalt roof and beautiful lacquered spruce walls.
- **CUSTOMIZED SAUNA ROOMS:** With our expertise in building saunas, we can provide a Customized Sauna Design that meets your expectations. Shape and size of area is limitless as long as a proper ventilation and drainage system of the allotted area complies with the standards of sauna. Sauna rooms will be built according to your specifications.



EXTERIOR



INTERIOR

SAUNA CONSTRUCTION - SWEDEN ORIGIN



WALL PANELS

PRODUCT CODE	DESCRIPTION	DIMENSIONS
SAU-A-901	WHITE ASPEN PANELS - 6NOS/BUNDLE	15 x 90 x 2100
SAU-A-902	WHITE ASPEN PANELS - 6NOS/BUNDLE	15 x 90 x 2400
SAU-A-903	WHITE ASPEN PANELS - 6NOS/BUNDLE	15 x 90 x 2700
SAU-A-904	WHITE ASPEN PANELS - 6NOS/BUNDLE	15 x 90 x 3000
SAU-TTA-901	THERMO TREATED ASPEN PANELS - 6NOS/ BUNDLE	15 x 90 x 2100
SAU-TTA-902	THERMO TREATED ASPEN PANELS - 6NOS/ BUNDLE	15 x 90 x 2400
SAU-TTA-903	THERMO TREATED ASPEN PANELS - 6NOS/ BUNDLE	15 x 90 x 2700
SAU-TTA-904	THERMO TREATED ASPEN PANELS - 6NOS/ BUNDLE	15 x 90 x 3000



BENCH PANELS

PRODUCT CODE	DESCRIPTION	DIMENSIONS
SAU-A-905	WHITE ASPEN BENCH PANELS - 5NOS/BUNDLE	21 x 90 x 2400
SAU-A-906	WHITE ASPEN BENCH PANELS - 5NOS/BUNDLE	28 x 90 x 2400
SAU-TTA-905	THERMO TREATED ASPEN BENCH PANELS - 5NOS/BUNDLE	21 x 90 x 2400
SAU-TTA-906	THERMO TREATED ASPEN BENCH PANELS - 5NOS/BUNDLE	28 x 90 x 2400



EDGE

PRODUCT CODE	DESCRIPTION	DIMENSIONS
SAU-A-907	WHITE ASPEN BENCH EDGE - 2NOS/BUNDLE	40 x 140
SAU-A-908	WHITE ASPEN BENCH EDGE - 1NO/BUNDLE	80 x 108
SAU-TTA-907	THERMO TREATED ASPEN BENCH EDGE - 2NOS/ BUNDLE	40 x 140
SAU-TTA-908	THERMO TREATED ASPEN BENCH EDGE - 1NO/ BUNDLE	80 x 108

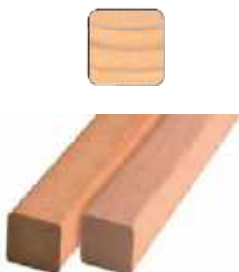


80x108

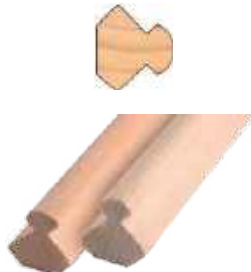
40x140

WOOD LISTS

SHP SQUARE ASPEN



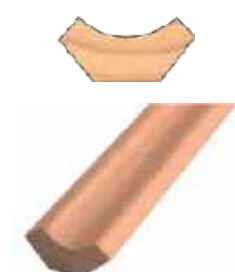
SI INNER CORNER LIST ASPEN



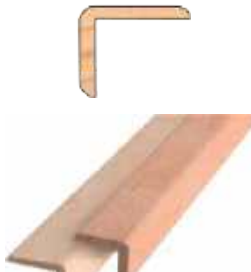
UK LINING ASPEN



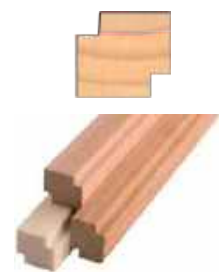
SI CORNER/CEILING LIST ASPEN



VA OUTER CORNER LIST ASPEN



SI CORNER/CEILING LIST ASPEN



PRODUCT CODE	DESCRIPTION	DIMENSIONS
SAU-A-909	SHP SQUARE ASPEN - 10NOS/BUNDLE	21 x 21
SAU-A-910	SI INNER CORNER LIST ASPEN - 10NOS/BUNDLE	25 x 25
SAU-A-911	UK LINING ASPEN - 10NOS/BUNDLE	12 x 42
SAU-A-912	SI CORNER/CEILING LIST ASPEN - 20NOS/BUNDLE	14 x 30
SAU-A-913	VA OUTER CORNER LIST ASPEN - 10NOS/BUNDLE	28 x 28
SAU-A-914	SI CORNER/CEILING LIST ASPEN - 15NOS/BUNDLE	15 x 18
SAU-TTA-909	SHP SQUARE THERMO TREATED - 10NOS/BUNDLE	21 x 21
SAU-TTA-910	SI INNER CORNER LIST THERMO TREATED - 10NOS/BUNDLE	25 x 25
SAU-TTA-911	UK LINING THERMO TREATED - 10NOS/BUNDLE	12 x 42
SAU-TTA-912	SI CORNER/CEILING LIST THERMO TREATED - 20NOS/BUNDLE	14 x 30
SAU-TTA-913	VA OUTER CORNER LIST THERMO TREATED - 15NOS/BUNDLE	28 x 28
SAU-TTA-914	SI CORNER/CEILING LIST THERMO TREATED - 10NOS/BUNDLE	15 x 18



02 SAUNA ROOM ACCESSORIES

sauna
SWEDEN

Heater protection
Size: 900 x 400 x 600



Sliding Vent hatch Vent grill



Sauna light AVH 15



Sauna light A Raita



LED Lite
Available with 6, 9, 12 diodes and installed in the sauna's ceiling



Dimmer with touch function
Dimmer for Ledlite and Ledlist



Water bowl with lighting



Pail & shovel



Thermometer & Hygrometer



Sauna door with door leaf of Aspen panel tempered 8 mm safety glass, stainless steel pull handle outside and Woden handle inside. frame has a magnetic strip closure and aluminum hinges. Measurements: 7 x 19 - 690x1890



Panic button



Sauna stones

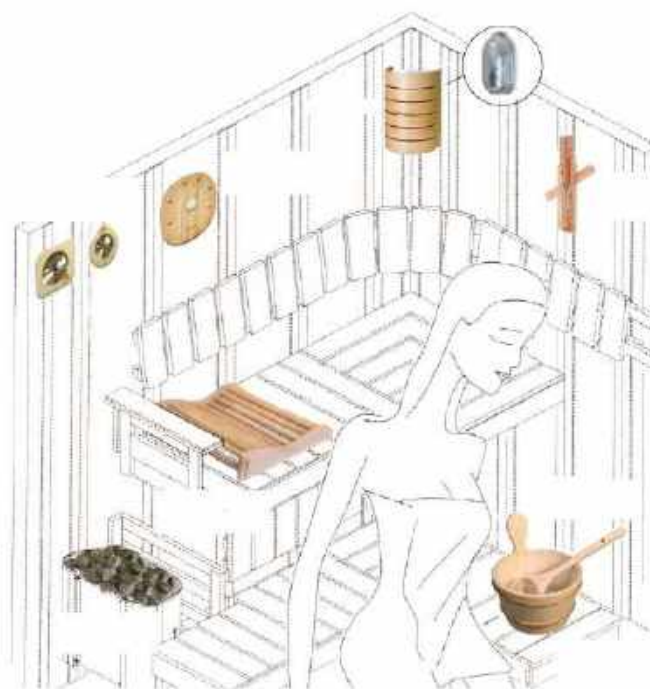


Sauna timer



Sauna clock

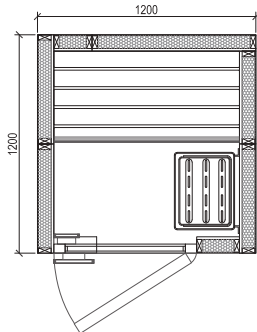




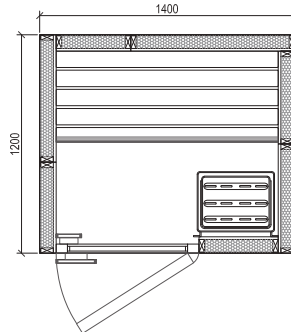
PRODUCT CODE	DESCRIPTION
SAU-ACC-201	SAUNA HEATER PROTECTION ASPEN 90 x 400 x 600
SAU-ACC-202	SAUNA DOOR 8MM WITH HANDLE PREMIUM ASPEN 690 x 1890MM CLEAR SAFETY GLASS
SAU-ACC-203	SAUNA DOOR 8MM WITH HANDLE PREMIUM ASPEN 690 x 1890MM BRONZE COLOURED SAFETY GLASS
SAU-ACC-204	SLIDING RECTANGULAR GATE ASPIN
SAU-ACC-205	VENTILATION GRILL ASPIN
SAU-ACC-301	SAUNA HEATER PROTECTION THERMO TREATED ASPEN 90 x 400 x 600
SAU-ACC-302	SAUNA DOOR 8MM WITH HANDLE PREMIUM THERMO TREATED ASPEN 690 x 1890MM CLEAR SAFETY GLASS
SAU-ACC-303	SAUNA DOOR 8MM WITH HANDLE PREMIUM THERMO TREATED ASPEN 690 x 1890MM BRONZE COLOURED SAFETY GLASS
SAU-ACC-304	SLIDING RECTANGULAR GATE THERMO TREATED ASPEN
SAU-ACC-305	VENTILATION GRILL THERMO TREATED ASPEN
SAU-ACC-401	SAUNA LIGHT AVH15
SAU-ACC-402	SAUNA LIGHT COVER ARAITA ASPEN OVAL
SAU-ACC-403	SAUNA LIGHT COVER ARAITA THERMO TREATED ASPEN OVAL
SAU-ACC-404	SAUNA LIGHT COVER ARAITA ASPEN RECTANGULAR
SAU-ACC-405	SAUNA LIGHT COVER ARAITA THERMO TREATED ASPEN RECTANGULAR
SAU-ACC-406	LEDLITE 6 DIODES INSTALLED IN SAUNA CEILING
SAU-ACC-407	LEDLITE 9 DIODES INSTALLED IN SAUNA CEILING
SAU-ACC-408	LEDLITE 12 DIODES INSTALLED IN SAUNA CEILING
SAU-ACC-409	DIMMER WITH TOUCH FUNCTION FOR LEDLITE AND LETTAPE
SAU-ACC-410	CARIITTI WATER BOWL WITH LIGHTING
SAU-ACC-411	SAUNA PAIL AND SHOVEL
SAU-ACC-412	SAUNA THERMOMETER & HYGROMETER
SAU-ACC-413	SAUNA TIMER
SAU-ACC-414	SAUNA CLOCK
SAU-ACC-415	SAUNA PANIC BUTTON
S-169	SAUNA STONE

SAUNA LAYOUT

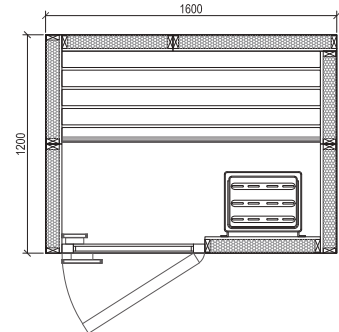
SAU-A-001 / SAU-TTA-001



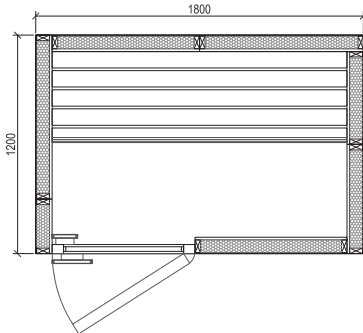
SAU-A-002 / SAU-TTA-002



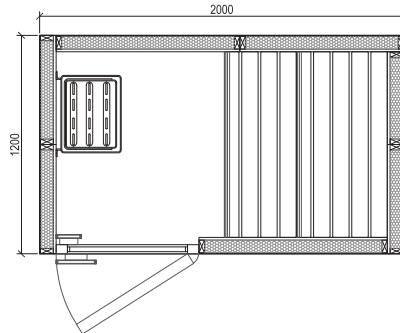
SAU-A-003 / SAU-TTA-003



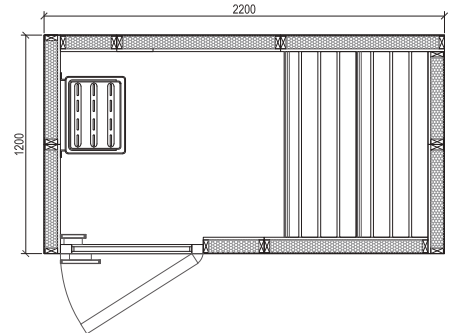
SAU-A-004 / SAU-TTA-004



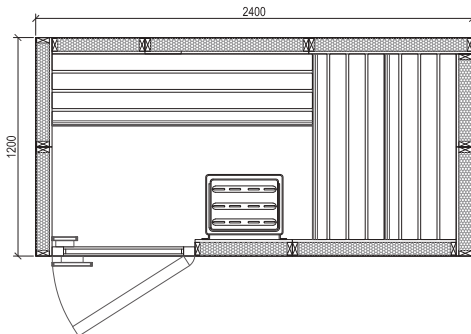
SAU-A-005 / SAU-TTA-005



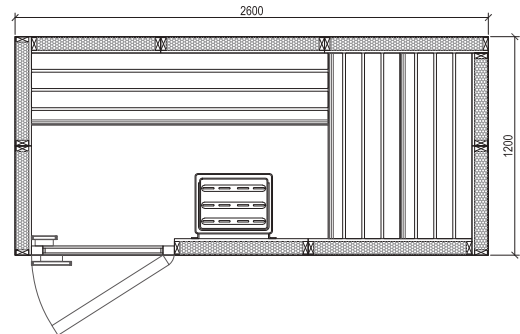
SAU-A-006 / SAU-TTA-006



SAU-A-007 / SAU-TTA-007



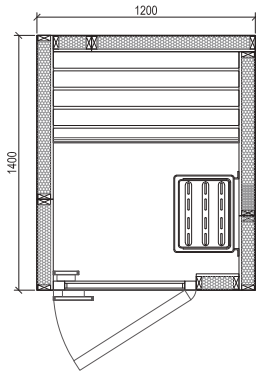
SAU-A-008 / SAU-TTA-008



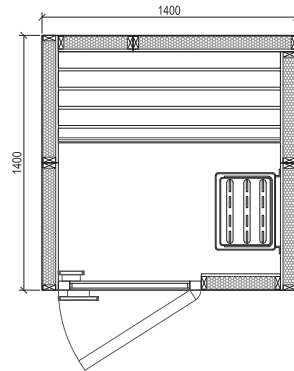
PRODUCT CODE		NO OF PERSONS	OUTER DIMENSIONS	RECOMMENDED HEATER
SAU-A-001	SAU-TTA-001	2	1200 x 1200 x 2100	3
SAU-A-002	SAU-TTA-002	2	1400 x 1200 x 2100	3
SAU-A-003	SAU-TTA-003	3	1600 x 1200 x 2100	4
SAU-A-004	SAU-TTA-004	3	1800 x 1200 x 2100	4
SAU-A-005	SAU-TTA-005	4	2000 x 1200 x 2100	4.5
SAU-A-006	SAU-TTA-006	4	2200 x 1200 x 2100	4.5
SAU-A-007	SAU-TTA-007	5	2400 x 1200 x 2100	6
SAU-A-008	SAU-TTA-008	6	2600 x 1200 x 2100	6

*Sauna heater not included
*Sauna accessories not included

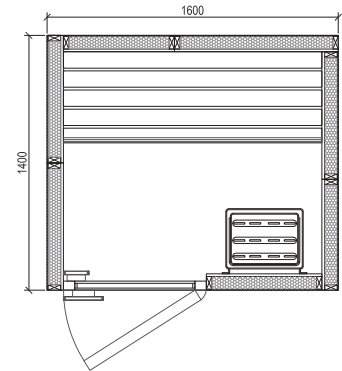
SAU-A-009 / SAU-TTA-009



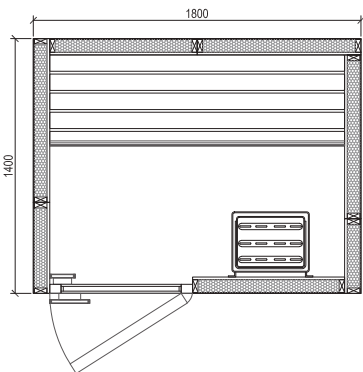
SAU-A-010 / SAU-TTA-010



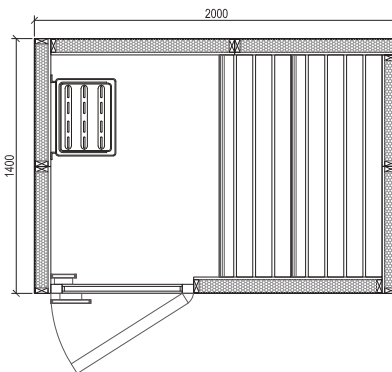
SAU-A-011 / SAU-TTA-011



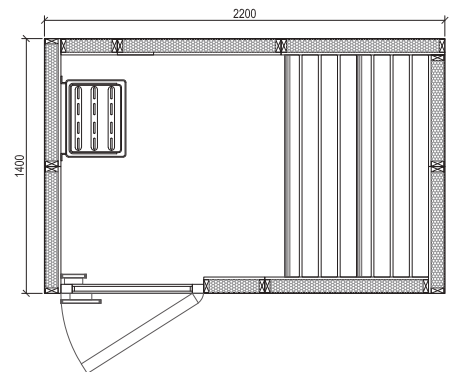
SAU-A-012 / SAU-TTA-012



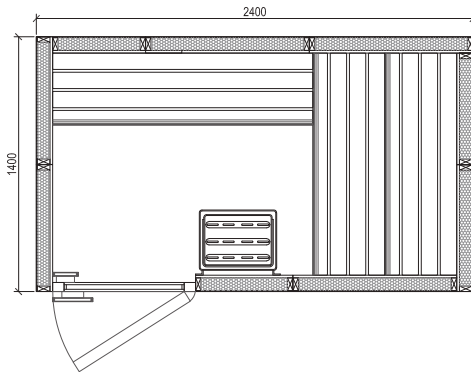
SAU-A-013 / SAU-TTA-013



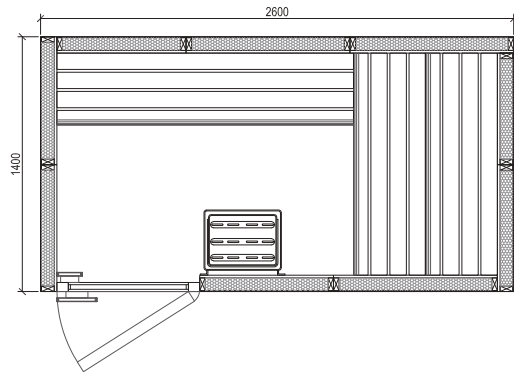
SAU-A-014 / SAU-TTA-014



SAU-A-015 / SAU-TTA-015



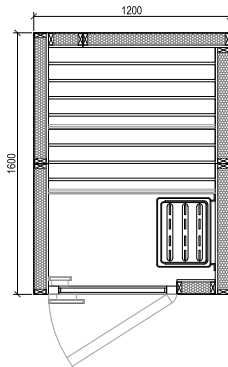
SAU-A-016 / SAU-TTA-016



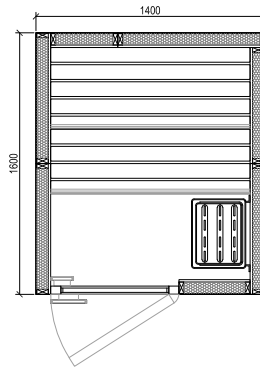
PRODUCT CODE		NO OF PERSONS	OUTER DIMENSIONS	RECOMMENDED HEATER
SAU-A-009	SAU-TTA-009	2	1200 x 1400 x 2100	3
SAU-A-010	SAU-TTA-010	2	1400 x 1400 x 2100	4
SAU-A-011	SAU-TTA-011	3	1600 x 1400 x 2100	4
SAU-A-012	SAU-TTA-012	3	1800 x 1400 x 2100	4.5
SAU-A-013	SAU-TTA-013	4	2000 x 1400 x 2100	4.5
SAU-A-014	SAU-TTA-014	4	2200 x 1400 x 2100	6
SAU-A-015	SAU-TTA-015	6	2400 x 1400 x 2100	6
SAU-A-016	SAU-TTA-016	6	2600 x 1400 x 2100	8

*Sauna heater not included
*Sauna accessories not included

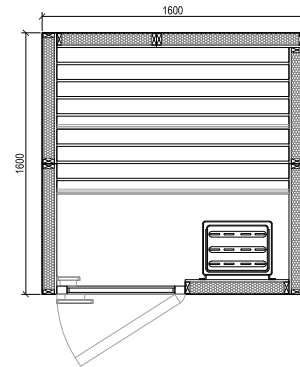
SAU-A-017 / SAU-TTA-017



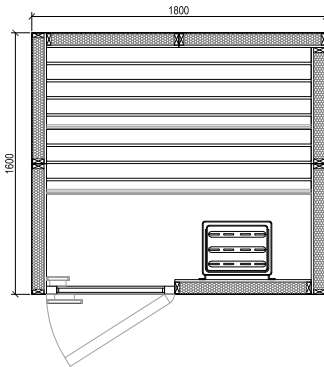
SAU-A-018 / SAU-TTA-018



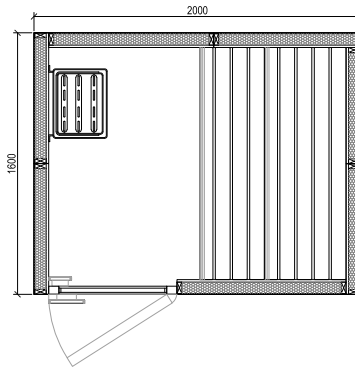
SAU-A-019 / SAU-TTA-019



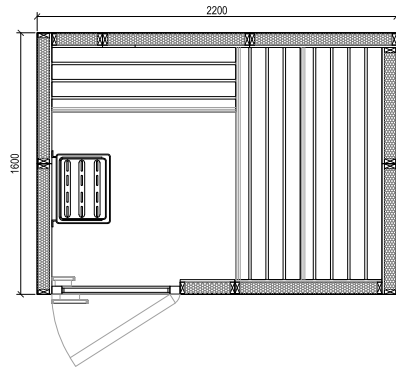
SAU-A-020 / SAU-TTA-020



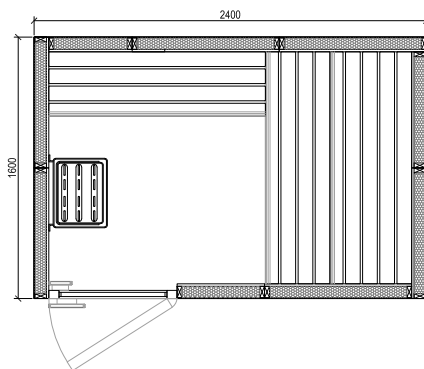
SAU-A-021 / SAU-TTA-021



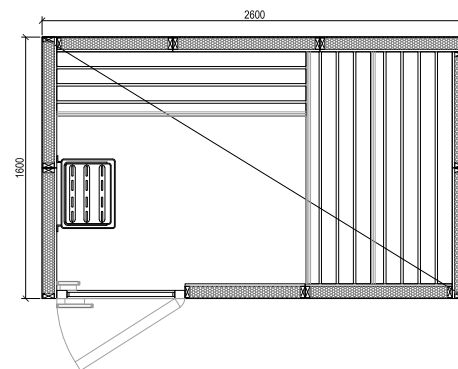
SAU-A-022 / SAU-TTA-022



SAU-A-023 / SAU-TTA-023



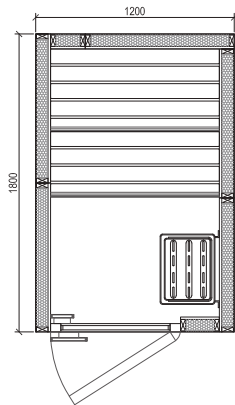
SAU-A-024 / SAU-TTA-024



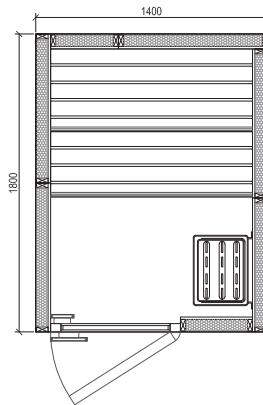
PRODUCT CODE		NO OF PERSONS	OUTER DIMENSIONS	RECOMMENDED HEATER
SAU-A-017	SAU-TTA-017	4	1200 x 1600 x 2100	4
SAU-A-018	SAU-TTA-018	4	1400 x 1600 x 2100	4
SAU-A-019	SAU-TTA-019	6	1600 x 1600 x 2100	4.5
SAU-A-020	SAU-TTA-020	6	1800 x 1600 x 2100	6
SAU-A-021	SAU-TTA-021	8	2000 x 1600 x 2100	6
SAU-A-022	SAU-TTA-022	8	2200 x 1600 x 2100	6
SAU-A-023	SAU-TTA-023	9	2400 x 1600 x 2100	8
SAU-A-024	SAU-TTA-024	9	2600 x 1600 x 2100	8

*Sauna heater not included
*Sauna accessories not included

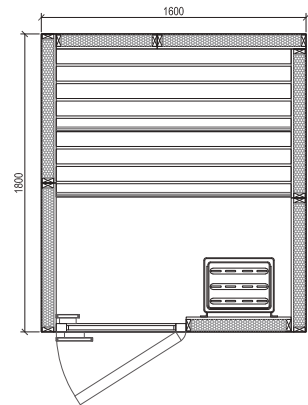
SAU-A-025 / SAU-TTA-025



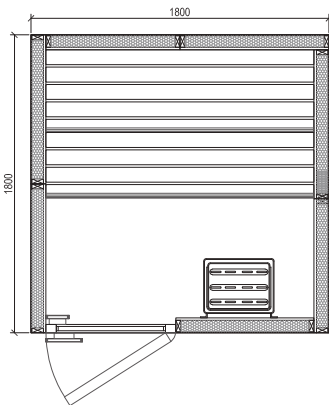
SAU-A-026 / SAU-TTA-026



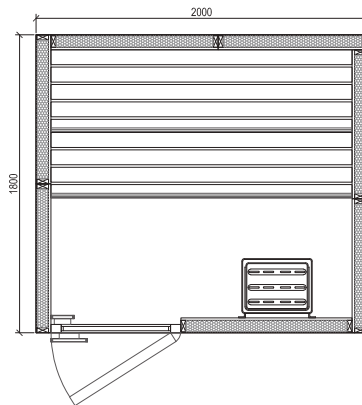
SAU-A-027 / SAU-TTA-027



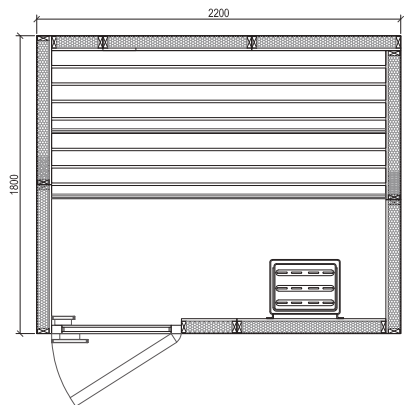
SAU-A-028 / SAU-TTA-028



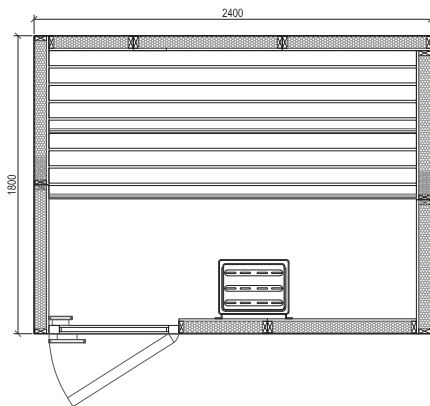
SAU-A-029 / SAU-TTA-029



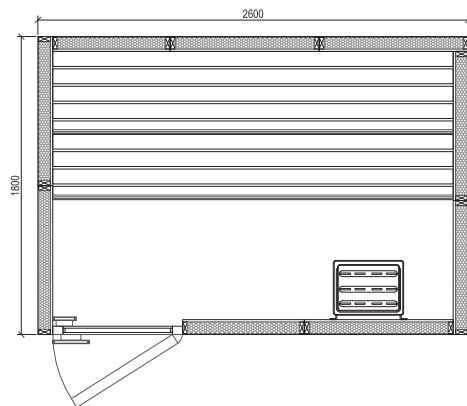
SAU-A-030 / SAU-TTA-030



SAU-A-031 / SAU-TTA-031



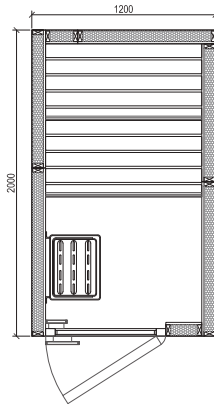
SAU-A-032 / SAU-TTA-032



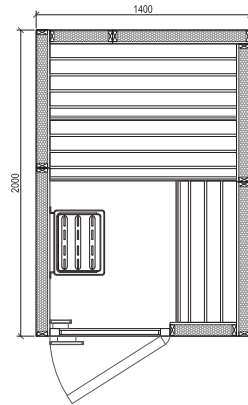
PRODUCT CODE		NO OF PERSONS	OUTER DIMENSIONS	RECOMMENDED HEATER
SAU-A-025	SAU-TTA-025	4	1200 x 1800 x 2100	4.5
SAU-A-026	SAU-TTA-026	4	1400 x 1800 x 2100	4.5
SAU-A-027	SAU-TTA-027	6	1600 x 1800 x 2100	6
SAU-A-028	SAU-TTA-028	6	1800 x 1800 x 2100	6
SAU-A-029	SAU-TTA-029	8	2000 x 1800 x 2100	8
SAU-A-030	SAU-TTA-030	8	2200 x 1800 x 2100	8
SAU-A-031	SAU-TTA-031	10	2400 x 1800 x 2100	9
SAU-A-032	SAU-TTA-032	10	2600 x 1800 x 2100	9

*Sauna heater not included
*Sauna accessories not included

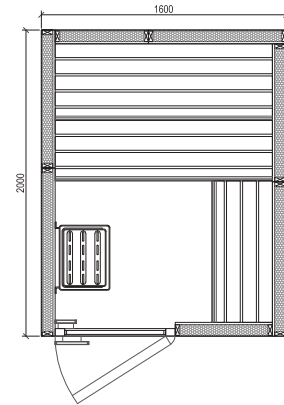
SAU-A-033 / SAU-TTA-033



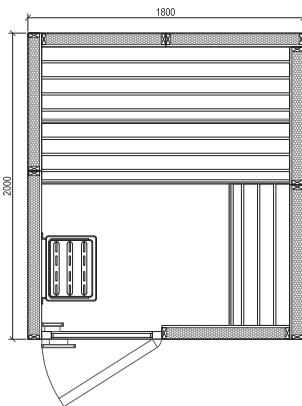
SAU-A-034 / SAU-TTA-034



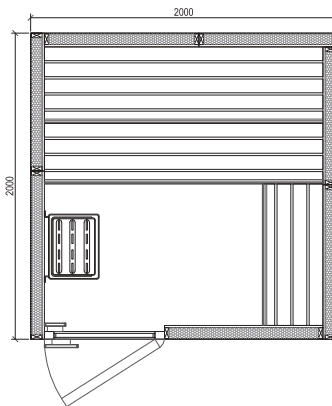
SAU-A-035 / SAU-TTA-035



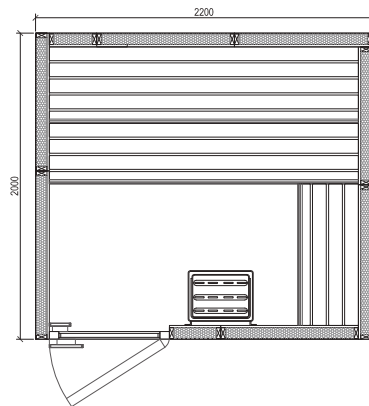
SAU-A-036 / SAU-TTA-036



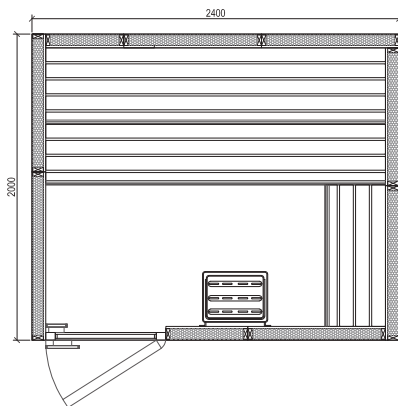
SAU-A-037 / SAU-TTA-037



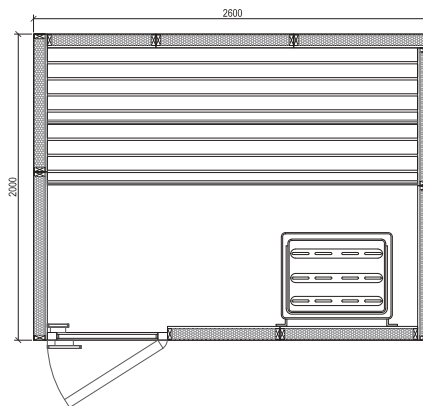
SAU-A-038 / SAU-TTA-038



SAU-A-039 / SAU-TTA-039

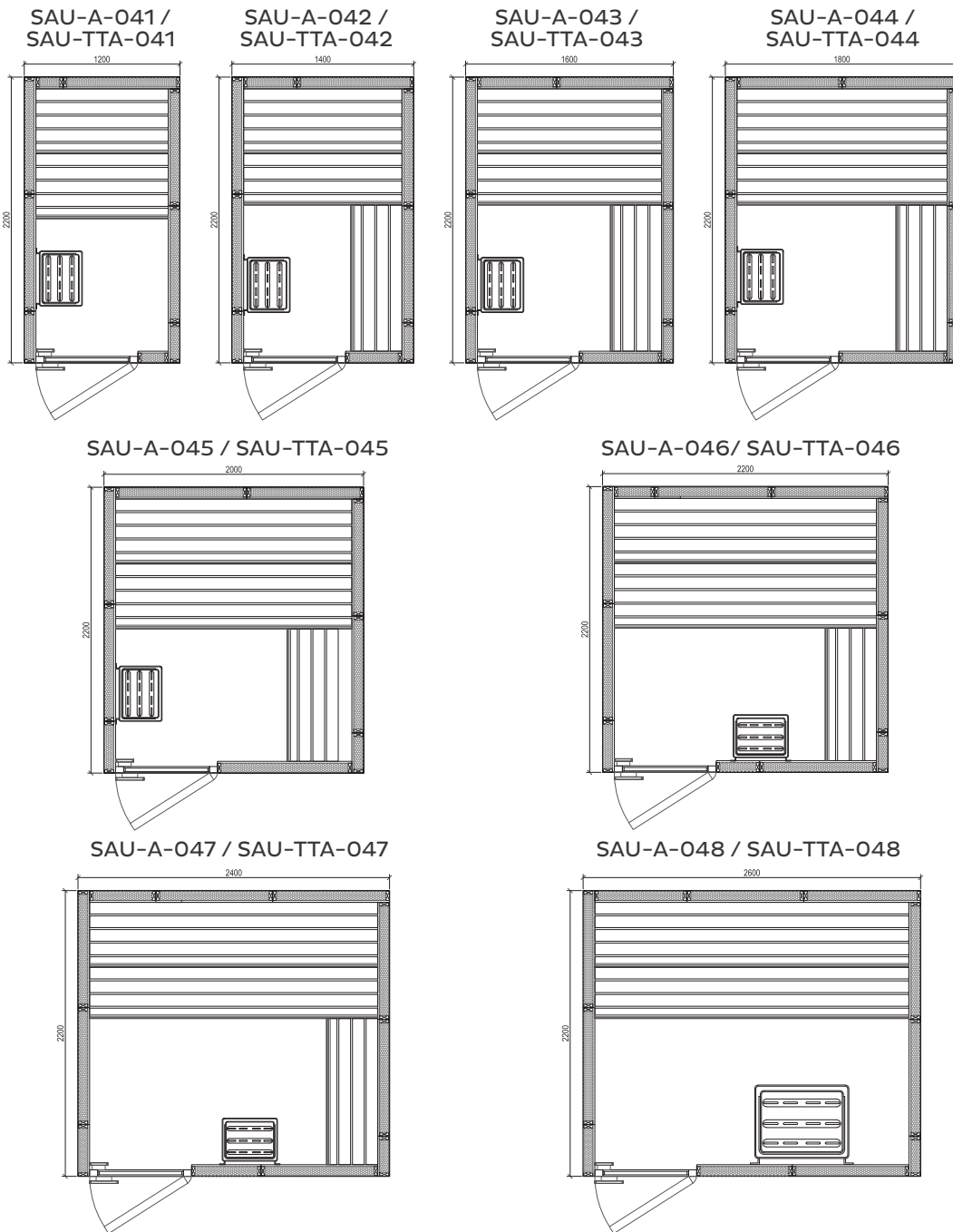


SAU-A-040 / SAU-TTA-040



PRODUCT CODE		NO OF PERSONS	OUTER DIMENSIONS	RECOMMENDED HEATER
SAU-A-033	SAU-TTA-033	4	1200 x 2000 x 2100	4.5
SAU-A-034	SAU-TTA-034	5	1400 x 2000 x 2100	6
SAU-A-035	SAU-TTA-035	5	1600 x 2000 x 2100	8
SAU-A-036	SAU-TTA-036	6	1800 x 2000 x 2100	8
SAU-A-037	SAU-TTA-037	8	2000 x 2000 x 2100	8
SAU-A-038	SAU-TTA-038	8	2200 x 2000 x 2100	9
SAU-A-039	SAU-TTA-039	10	2400 x 2000 x 2100	9
SAU-A-040	SAU-TTA-040	10	2600 x 2000 x 2100	9

*Sauna heater not included
*Sauna accessories not included



PRODUCT CODE		NO OF PERSONS	OUTER DIMENSIONS	RECOMMENDED HEATER
SAU-A-041	SAU-TTA-041	4	1200 x 2200 x 2100	4.5
SAU-A-042	SAU-TTA-042	6	1400 x 2200 x 2100	6
SAU-A-043	SAU-TTA-043	6	1600 x 2200 x 2100	8
SAU-A-044	SAU-TTA-044	8	1800 x 2200 x 2100	8
SAU-A-045	SAU-TTA-045	9	2000 x 2200 x 2100	8
SAU-A-046	SAU-TTA-046	9	2200 x 2200 x 2100	9
SAU-A-047	SAU-TTA-047	10	2400 x 2200 x 2100	10.5
SAU-A-048	SAU-TTA-048	10	2600 x 2200 x 2100	10.5

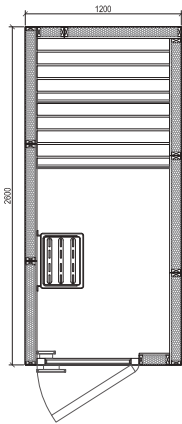
*Sauna heater not included
 *Sauna accessories not included



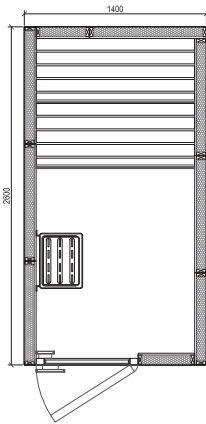
PRODUCT CODE		NO OF PERSONS	OUTER DIMENSIONS	RECOMMENDED HEATER
SAU-A-049	SAU-TTA-049	4	1200 x 2400 x 2100	6
SAU-A-050	SAU-TTA-050	4	1400 x 2400 x 2100	6
SAU-A-051	SAU-TTA-051	6	1600 x 2400 x 2100	8
SAU-A-052	SAU-TTA-052	6	1800 x 2400 x 2100	8
SAU-A-053	SAU-TTA-053	8	2000 x 2400 x 2100	9
SAU-A-054	SAU-TTA-054	8	2200 x 2400 x 2100	9
SAU-A-055	SAU-TTA-055	9	2400 x 2400 x 2100	12
SAU-A-056	SAU-TTA-056	10	2600 x 2400 x 2100	12

*Sauna heater not included
*Sauna accessories not included

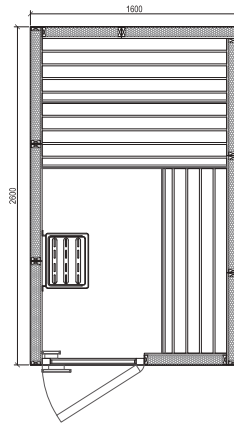
SAU-A-057 /
SAU-TTA-057



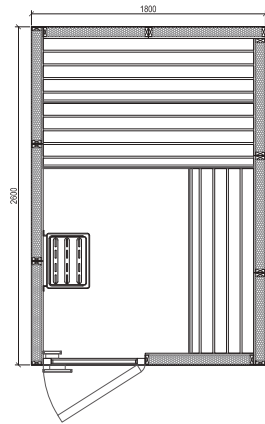
SAU-A-058 /
SAU-TTA-058



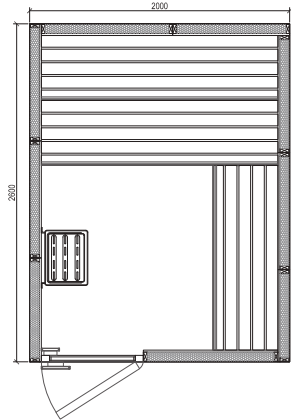
SAU-A-059 /
SAU-TTA-059



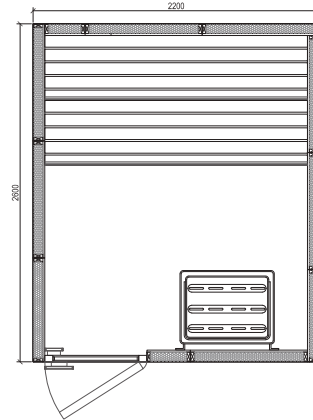
SAU-A-060 /
SAU-TTA-060



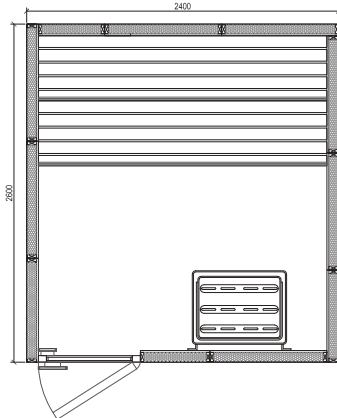
SAU-A-061 / SAU-TTA-061



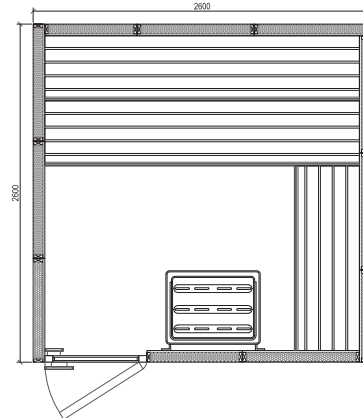
SAU-A-062 / SAU-TTA-062



SAU-A-063 / SAU-TTA-063



SAU-A-064 / SAU-TTA-064



PRODUCT CODE		NO OF PERSONS	OUTER DIMENSIONS	RECOMMENDED HEATER
SAU-A-057	SAU-TTA-057	4	1200 x 2600 x 2100	6
SAU-A-058	SAU-TTA-058	4	1400 x 2600 x 2100	6
SAU-A-059	SAU-TTA-059	6	1600 x 2600 x 2100	8
SAU-A-060	SAU-TTA-060	6	1800 x 2600 x 2100	8
SAU-A-061	SAU-TTA-061	8	2000 x 2600 x 2100	9
SAU-A-062	SAU-TTA-062	8	2200 x 2600 x 2100	9
SAU-A-063	SAU-TTA-063	9	2400 x 2600 x 2100	12
SAU-A-064	SAU-TTA-064	10	2600 x 2600 x 2100	12

*Sauna heater not included
*Sauna accessories not included

03 SAUNA HEATER

“NORDIA” SAUNA HEATER

- Nordia Sauna Heater with intelligent digital controller.
- Stainelss steel jacket.
- Two sets of independent contacts for the thermostatic control and the thermal cut out.
- Temperature setting 50-110°C or 122-230°F.
- Intelligent Sequential heating system, Double over heat protection system for both sauna room and sauna heater.
- Setting time from 0-12 hours.
- Working time: 30 minutes to 12 hours.
- LED diagnostic system.
- Available in 3kW, 4kW,4.5kW, 6kW, 8kW and 9kW.
- Frequency 50/60Hz.



TOUCH CONTROL PANEL
(Optional)

CODE	POWER	SAUNA ROOM VOLUME m ³		CURRENT A		DIMENSIONS	PACKING	WEIGHT	VOLUME
	kW	MIN	MAX	230V 1N~	400V 3N~	mm		kg	m ³
ND3	3.0	2	4	13.04		425 x 320 x 615	1	11	0.09
ND4	4.0	3	5	17.39		425 x 320 x 615	1	12	0.09
ND4.5	4.5	4	6	19.57	6.49	425 x 320 x 615	1	13	0.09
ND6	6.0	5	8	26.09	8.66	425 x 320 x 615	1	14	0.09
ND8	8.0	7	11	34.78	11.54	425 x 320 x 615	1	15	0.09
ND9	9.0	8	12	39.13	12.99	425 x 320 x 615	1	16	0.09
TCPSAU	- Touch display control panel								

“ZELMA” SAUNA HEATER

- Zelma heavy duty Sauna Heater with stainless steel jacket, intelligent controller and separate control box.
- Two sets of independent contacts for the thermostatic control and the thermal cut out.
- Temperature setting 50-110°C or 122-230°F.
- Intelligent Sequential heating system, double over heat protection system for both sauna room and sauna heater.
- LED diagnostic system, comply with the new CE standard.
- Available in 9KW, 10.5KW,12kW, 14.1kW, 16.2kW, 18kW and 20.1kW.
- Frequency 50/60Hz.



CONTROL BOX



TEMP.SENSOR



CONTROL PANEL

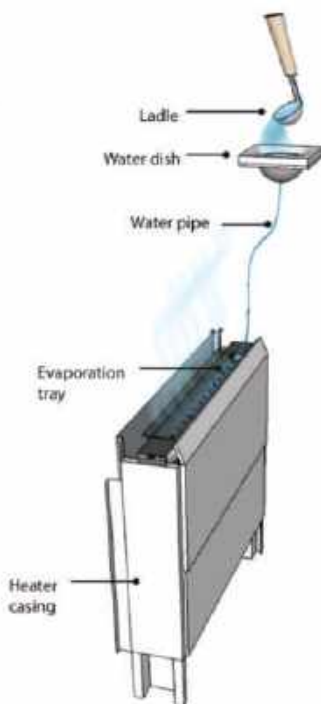


TOUCH CONTROL PANEL (Optional)

CODE	POWER kW	SAUNA ROOM VOLUME m ³		CURRENT A		DIMENSIONS mm	PACKING	WEIGHT	VOLUME
		MIN	MAX	230V 1N~	400V 3N~			kg	m ³
ZL10.5	10.5	9	15	45.65	15.15	725 x 565 x 675	1	17	0.22
ZL12	12	10	18	52.18	17.32	725 x 565 x 675	1	18	0.22
ZL14.1	14.1	13	23	61.31	20.35	725 x 565 x 675	1	19	0.22
ZL16.2	16.2	17	29	70.44	23.38	725 x 565 x 675	1	20	0.22
ZL18	18	18	32	78.26	25.97	725 x 565 x 675	1	20	0.22
ZL20.1	20.1	20	34	87.39	29.00	725 x 565 x 675	1	22	0.22
TCPSAU	- Touch display control panel								

UNDER BENCH SAUNA HEATER

- Special invisability design,higher efficiency
- Incoloy 840 heat element with independent sauna rock holder and special rainer.
- Long quality guarantee-two year.
- Interlegient controller with separete control box, 2 sets of independant contacts for the thermostatic control and the thermal cut out.
- Temp setting 50-110°C or 122-230°F.
- Intelligent Sequential heating system, double over heat protexion system for both sauna room and sauna heater.
- LED diagnostic system, interlock function comply with the new CE standard



TOUCH CONTROL PANEL

CODE	POWER	CURRENT A		SAUNA ROOM VOLUME m ³		DIMENSIONS	PACKING	WEIGHT	VOLUME
	kW	230V 1N~	400V 3N~	MIN	MAX	mm		kg	m ³
UBSH6	6	26.09	8.66	6	8	1210 x 260 x 890	1		0.28
UBSH7.5	7.5	32.61	10.82	7	12	1210 x 260 x 890	1		0.28
UBSH9	9	39.13	12.99	9	14	1210 x 260 x 890	1		0.28
UBSH10.5	10.5	45.65	15.15	12	26	1210 x 260 x 890	1		0.28
UBSH12	12	52.18	17.32	14	18	1210 x 260 x 890	1		0.28
UBSH13.5	13.5	58.70	19.48	16	20	1210 x 260 x 890	1		0.28
TCPSAU	- Touch display control panel								

04 STEAM ROOMS

A steam room has a physiological effect on the body. The steam opens up the pores, increases the metabolism, elevates the heart rate, and the body begins to sweat. This can result in health benefits, especially when a steam room is used safely and frequently. The warm, moist air increases the body's circulation and also loosens and relaxes muscles and joints. After a workout, a session in the steam room will help to keep the body relaxed and flexible, so that it will not lock up as a result of hard exercise.

The steam room will also help the body eliminate toxins, forcing them out through the resulting sweat.

The skin will be cleaner, softer, and healthier,

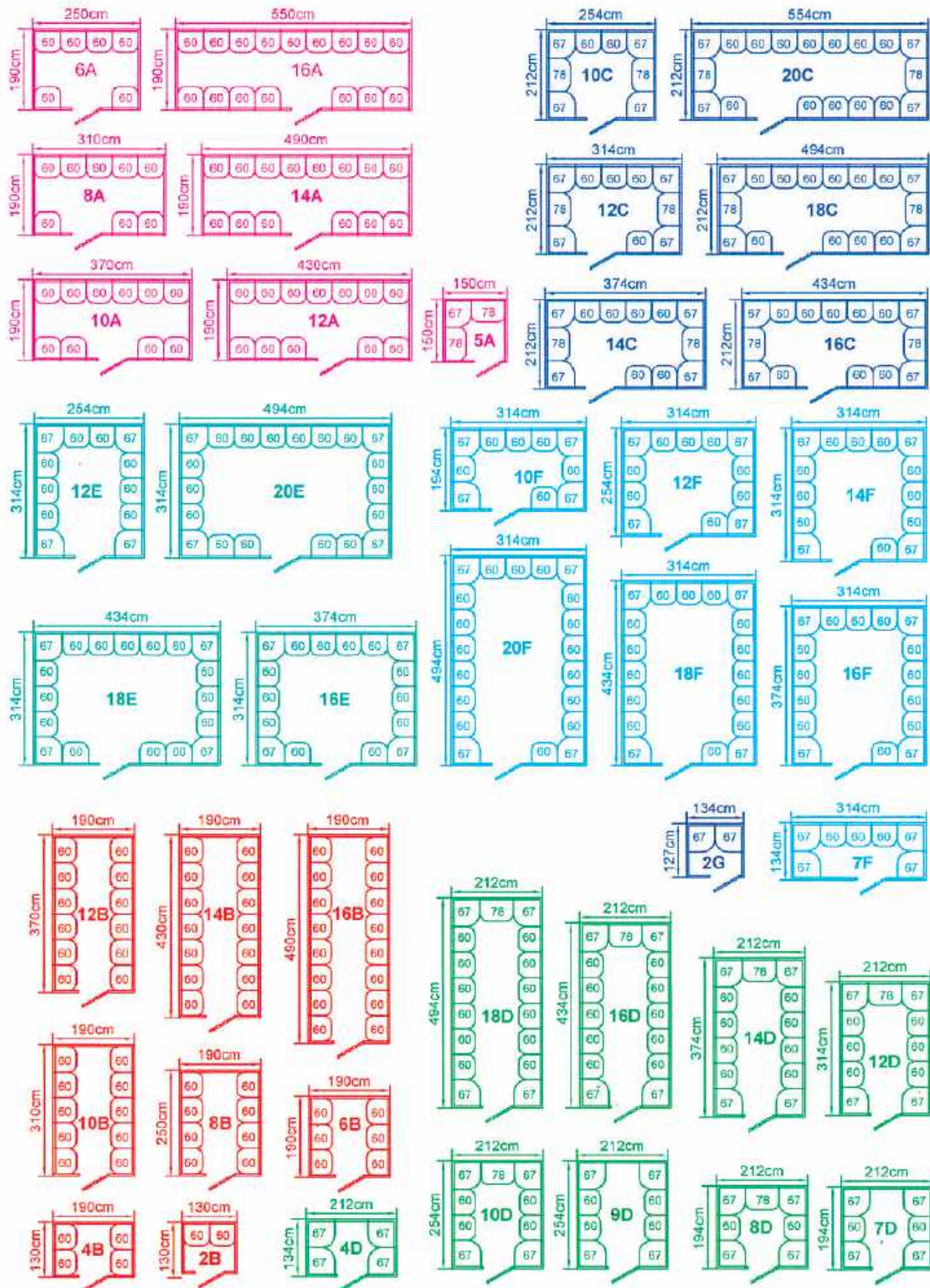


FIBER GLASS STEAM ROOM

- Constructed from extra strong fiberglass reinforced MPC to ensure an extended and trouble free service.
- Sizes can be custom made according to required dimensions, please refer to your AQUA dealer for further details.

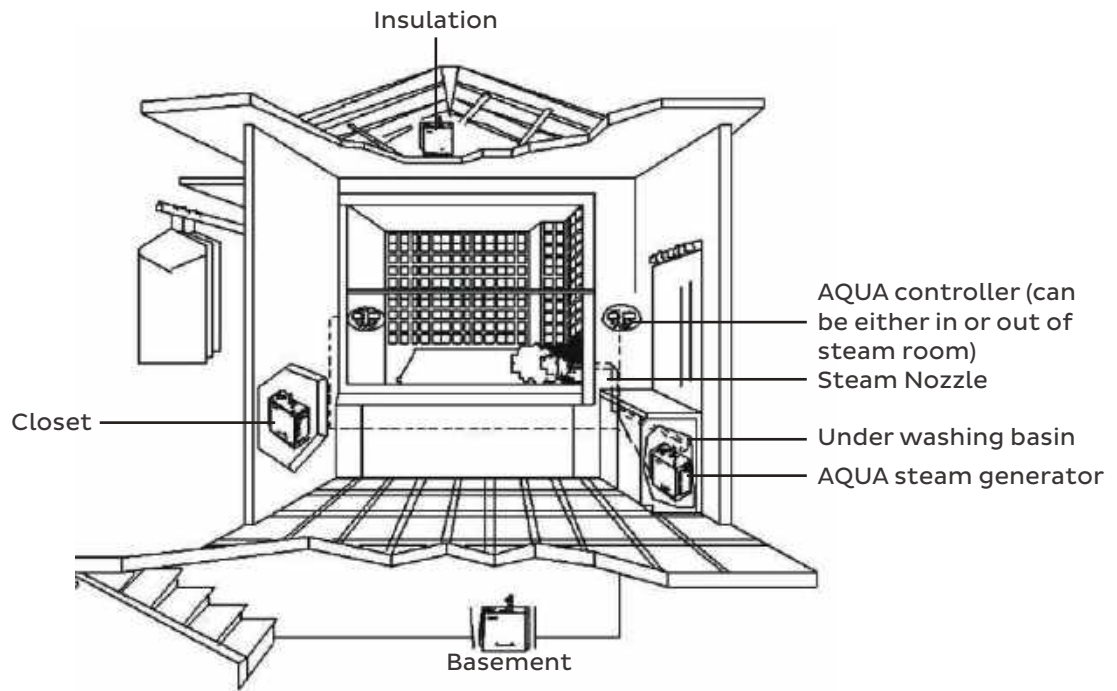


STEAM ROOM LAYOUTS



CODE	NUMBER OF SEATING POSITIONS	OUTER DIMENSION	RECOMMENDED STEAM GENERATOR	PACKAGE	WEIGHT	VOLUME
		cm	kW		kg	m ³
S-5A	3	150 x 150 x 225	5	1		
S-6A	6	190 x 250 x 225	9	1		
S-8A	8	190 x 310 x 225	10	1		
S-10A	10	190 x 370 x 225	13.5	1		
S-12A	12	190 x 430 x 225	15	1		
S-14A	14	190 x 490 x 225	18	1		
S-16A	16	190 x 550 x 225	2 x 10.5	1		
S-2B	2	130 x 130 x 225	3	1		
S-4B	4	130 x 190 x 225	6	1		
S-6B	6	190 x 190 x 225	8	1		
S-8B	8	250 x 190 x 225	9	1		
S-10B	10	310 x 190 x 225	11	1		
S-12B	12	370 x 190 x 225	13.5	1		
S-14B	14	430 x 190 x 225	15	1		
S-16B	16	490 x 190 x 225	18	1		
S-10C	8	212 x 254 x 225	10.5	1		
S-12C	10	212 x 314 x 225	12	1		
S-14C	12	212 x 374 x 225	15	1		
S-16C	14	212 x 434 x 225	18	1		
S-18C	16	212 x 494 x 225	2 x 10.5	1		
S-20C	18	212 x 554 x 225	2 x 12	1		
S-4D	4	134 x 212 x 225	6	1		
S-7D	6	194 x 212 x 225	8	1		
S-8D	7	194 x 212 x 225	8	1		
S-9D	8	254 x 212 x 225	10.5	1		
S-10D	9	254 x 212 x 225	12	1		
S-12D	11	314 x 212 x 225	12	1		
S-14D	13	374 x 212 x 225	15	1		
S-16D	15	434 x 212 x 225	18	1		
S-18D	17	494 x 212 x 225	2 x 10.5	1		
S-12E	12	314 x 254 x 225	15	1		
S-16E	16	314 x 374 x 225	2 x 12	1		
S-18E	18	314 x 434 x 225	2 x 13.5	1		
S-20E	20	314 x 494 x 225	2 x 15	1		
S-7F	7	134 x 314 x 225	2 x 9	1		
S-10F	10	194 x 314 x 225	12	1		
S-12F	12	254 x 314 x 225	15	1		
S-14F	14	314 x 314 x 225	18	1		
S-16F	16	374 x 314 x 225	2 x 12	1		
S-18F	18	434 x 314 x 225	2 x 13.5	1		
S-20F	20	494 x 314 x 225	2 x 15	1		
S-2G	2	127 x 134 x 225	3	1		

*Sauna heater not included
*Sauna accessories not included



STEAM ACCESSORIES



S-170



S-171



S-172



S-174



S-175



S-173

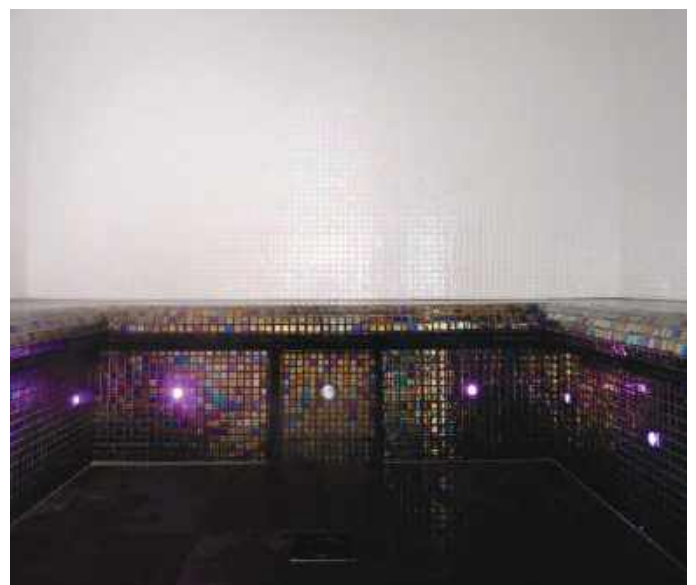
CODE	DESCRIPTION	PACKING	WEIGHT	VOLUME
			kg	m ³
S-170	Steam Light	1	0.5	0.01
S-171	Hydrothermograph	1	0.5	0.01
S-172	Floor Mat 300 x 300 mm	50	13	0.08
S-173	Tempered glass door tougher magnet with aluminium hinges and handle. Size 186 x 785 cm - thickness 6 mm	1		
S-174	Steam nozzle guard to prevent from sliding and hot steam bowling to acrylic directly	1		
S-175	3 Way fragrance Pump	1		

05 EPS PANEL CUSTOMIZED STEAM ROOM

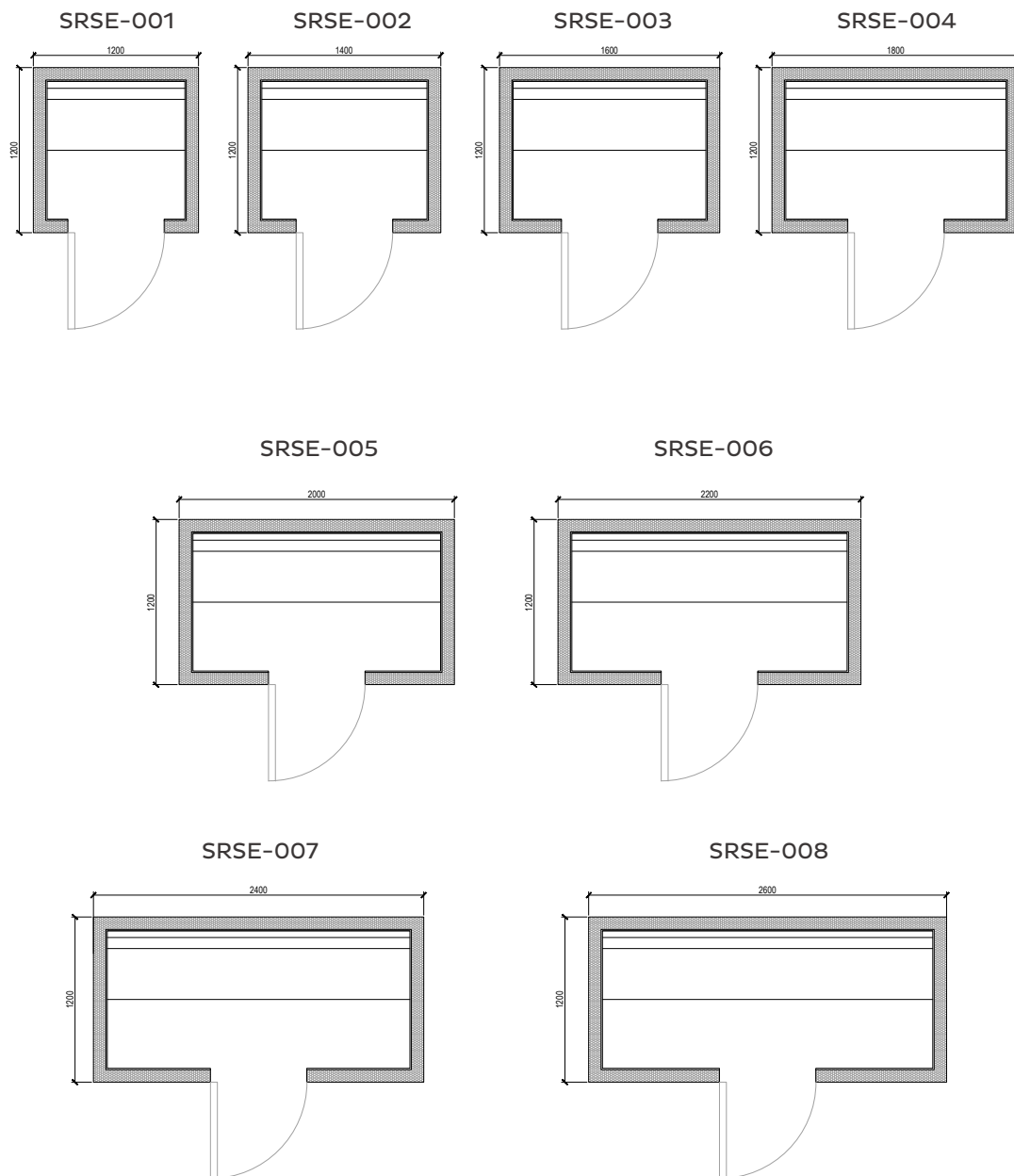
The structure are created with flame -retardant EPS with density of 35 /kg m3 and have a thickness of 9cm.

All the panels are smoothed with an eco-compatible cementitious finishing compound and are reinforced with a fiberglass mesh. The structure is ready to be waterproofed and covered with ceramic, marble or application of normal wall covering.

Steam room interiors are normally 1 level bench with backrest. Ergonomic design bench & backrest with glass mosaic tile finish on wall, and floor is giving beautiful interior for steam rooms.



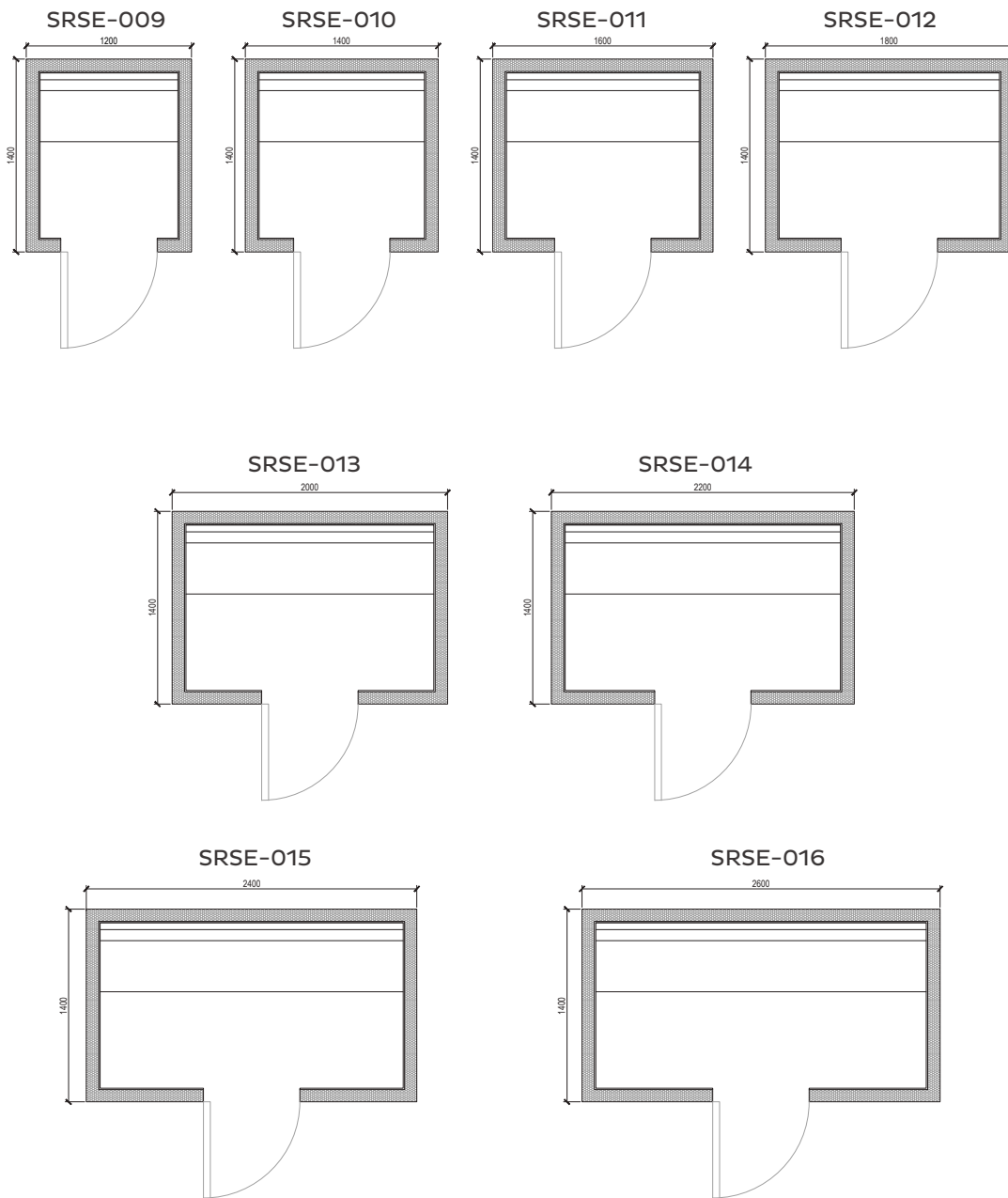
STEAM ROOM LAYOUT



PRODUCT CODE	NO OF PERSONS	OUTER DIMENSIONS	RECOMMENDED GENERATOR
SRSE-001	2	1200 x 1200 x 2200	3
SRSE-002	2	1400 x 1200 x 2200	3
SRSE-003	3	1600 x 1200 x 2200	4
SRSE-004	3	1800 x 1200 x 2200	4
SRSE-005	4	2000 x 1200 x 2200	4.5
SRSE-006	4	2200 x 1200 x 2200	4.5
SRSE-007	5	2400 x 1200 x 2200	6
SRSE-008	6	2600 x 1200 x 2200	6

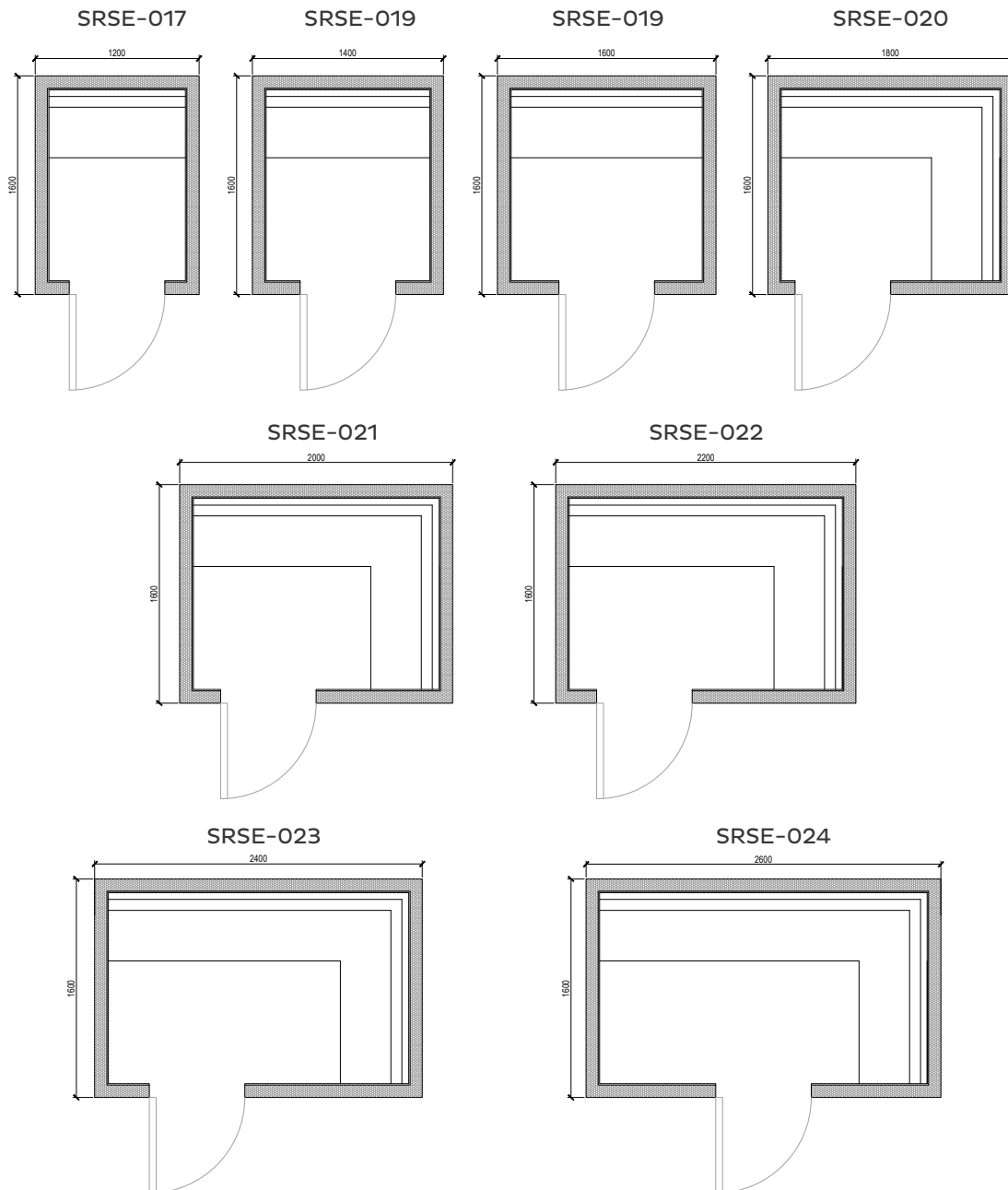
*Sauna heater not included
*Sauna accessories not included

STEAM LAYOUT



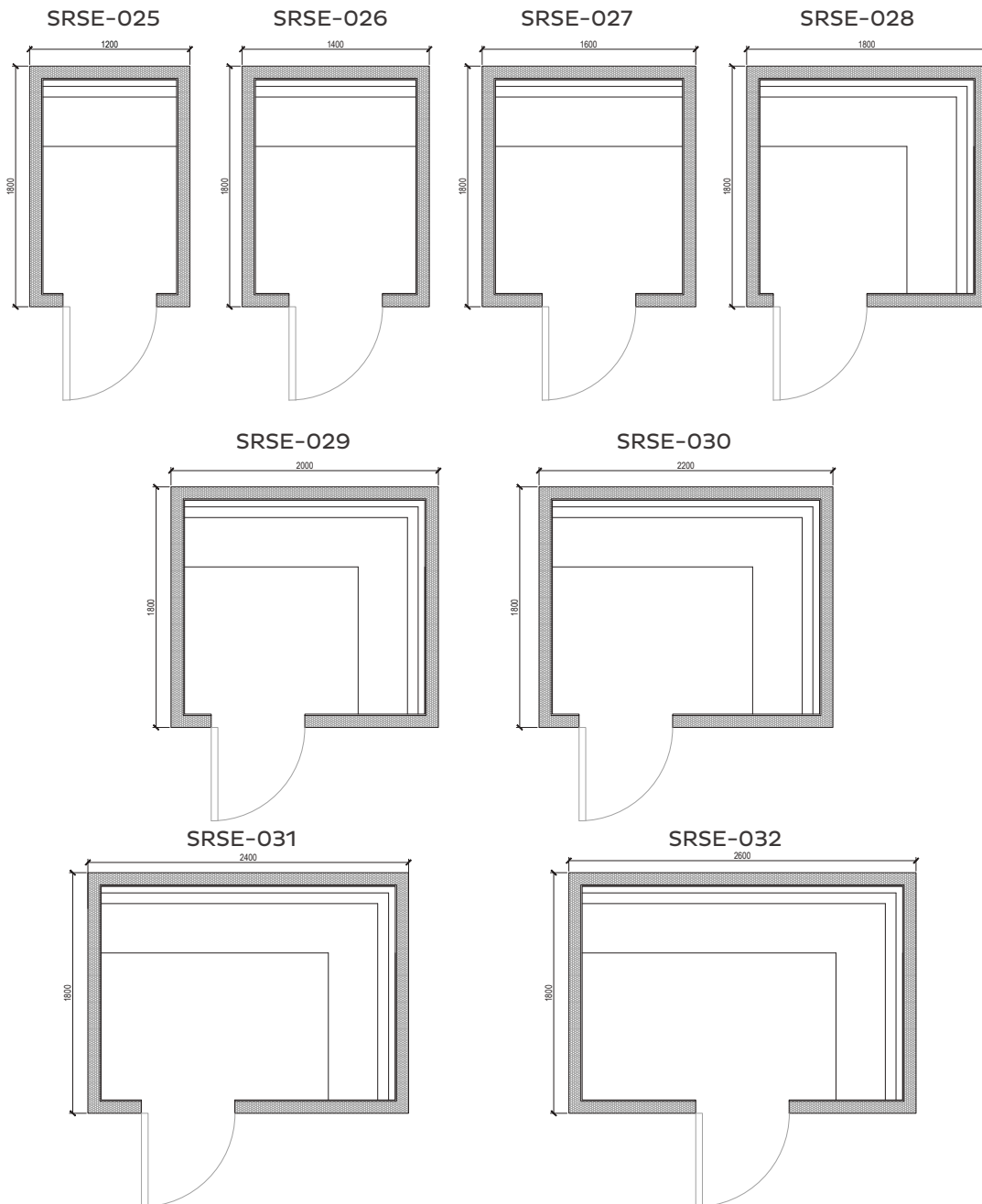
PRODUCT CODE	NO OF PERSONS	OUTER DIMENSIONS	RECOMMENDED GENERATOR
SRSE-009	2	1200 x 1400 x 2200	3
SRSE-010	2	1400 x 1400 x 2200	4
SRSE-011	3	1600 x 1400 x 2200	4
SRSE-012	3	1800 x 1400 x 2200	4.5
SRSE-013	4	2000 x 1400 x 2200	4.5
SRSE-014	4	2200 x 1400 x 2200	6
SRSE-015	6	2400 x 1400 x 2200	6
SRSE-016	6	2600 x 1400 x 2200	8

*Sauna heater not included
*Sauna accessories not included



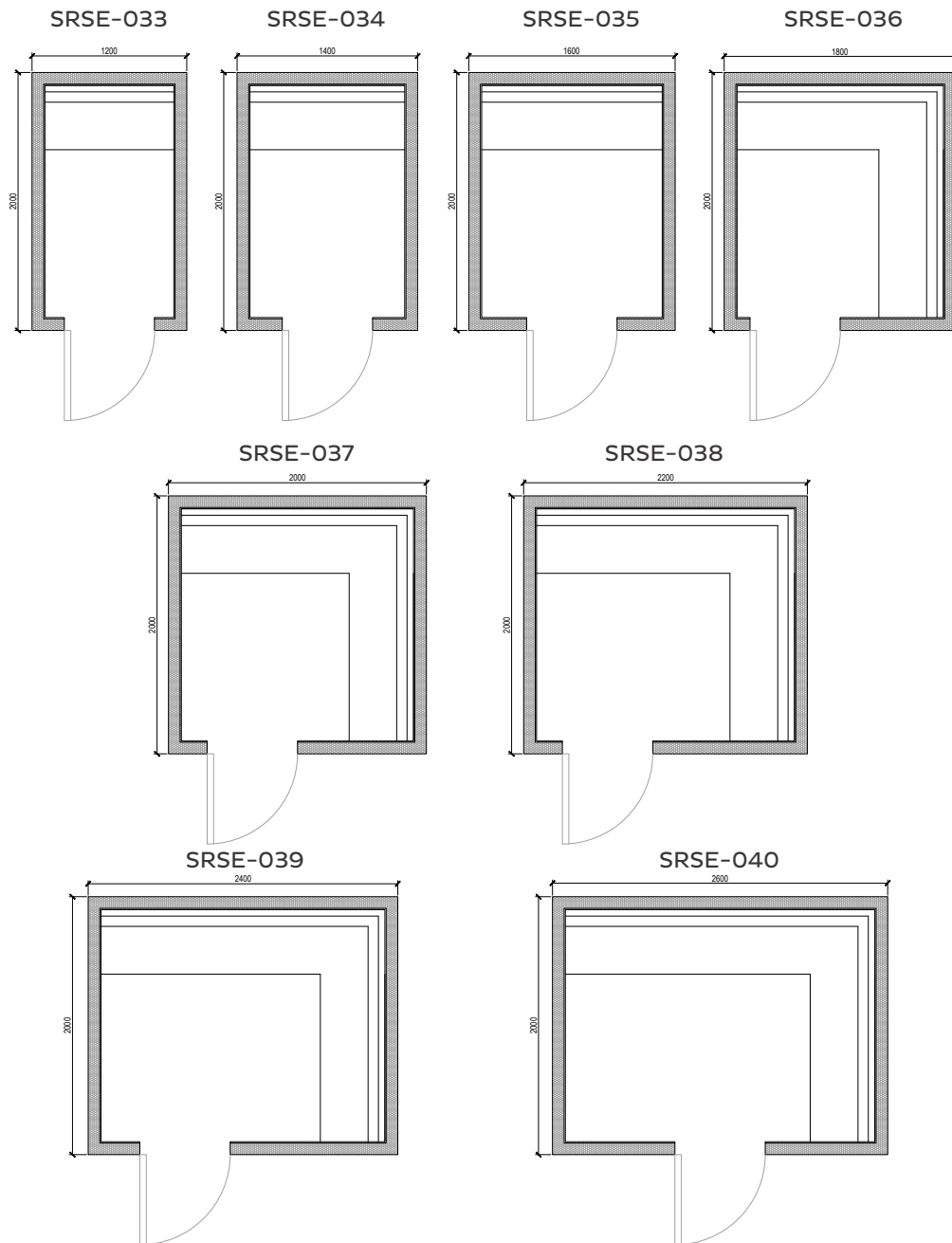
PRODUCT CODE	NO OF PERSONS	OUTER DIMENSIONS	RECOMMENDED GENERATOR
SRSE-017	4	1200 x 1600 x 2200	4
SRSE-018	4	1400 x 1600 x 2200	4
SRSE-019	6	1600 x 1600 x 2200	4.5
SRSE-020	6	1800 x 1600 x 2200	6
SRSE-021	8	2000 x 1600 x 2200	6
SRSE-022	8	2200 x 1600 x 2200	6
SRSE-023	9	2400 x 1600 x 2200	8
SRSE-024	9	2600 x 1600 x 2200	8

*Sauna heater not included
*Sauna accessories not included



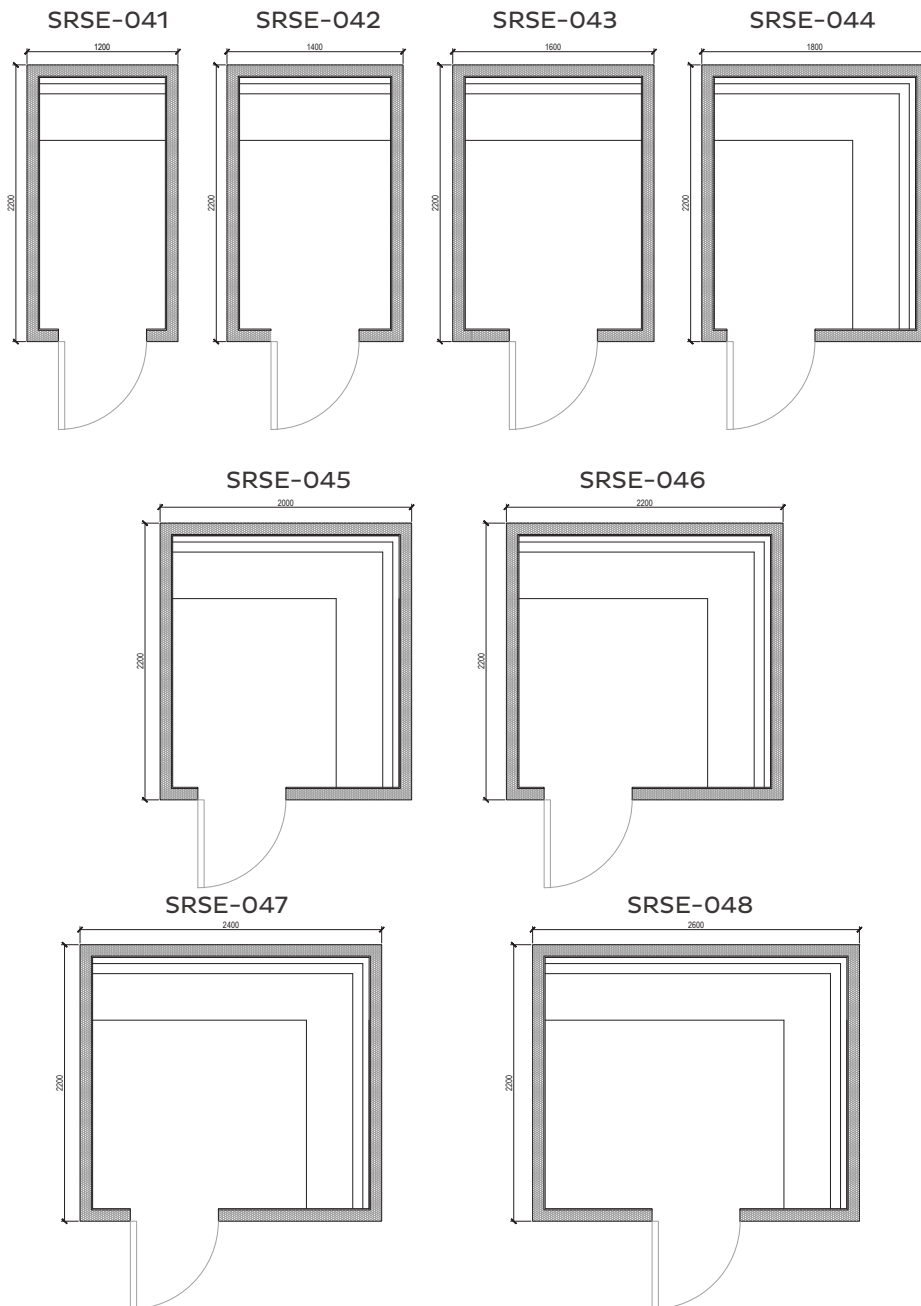
PRODUCT CODE	NO OF PERSONS	OUTER DIMENSIONS	RECOMMENDED GENERATOR
SRSE-25	4	1200 x 1800 x 2200	4.5
SRSE-26	4	1400 x 1800 x 2200	4.5
SRSE-27	6	1600 x 1800 x 2200	6
SRSE-28	6	1800 x 1800 x 2200	6
SRSE-29	8	2000 x 1800 x 2200	8
SRSE-30	8	2200 x 1800 x 2200	8
SRSE-31	10	2400 x 1800 x 2200	9
SRSE-32	10	2600 x 1800 x 2200	9

*Sauna heater not included
 *Sauna accessories not included



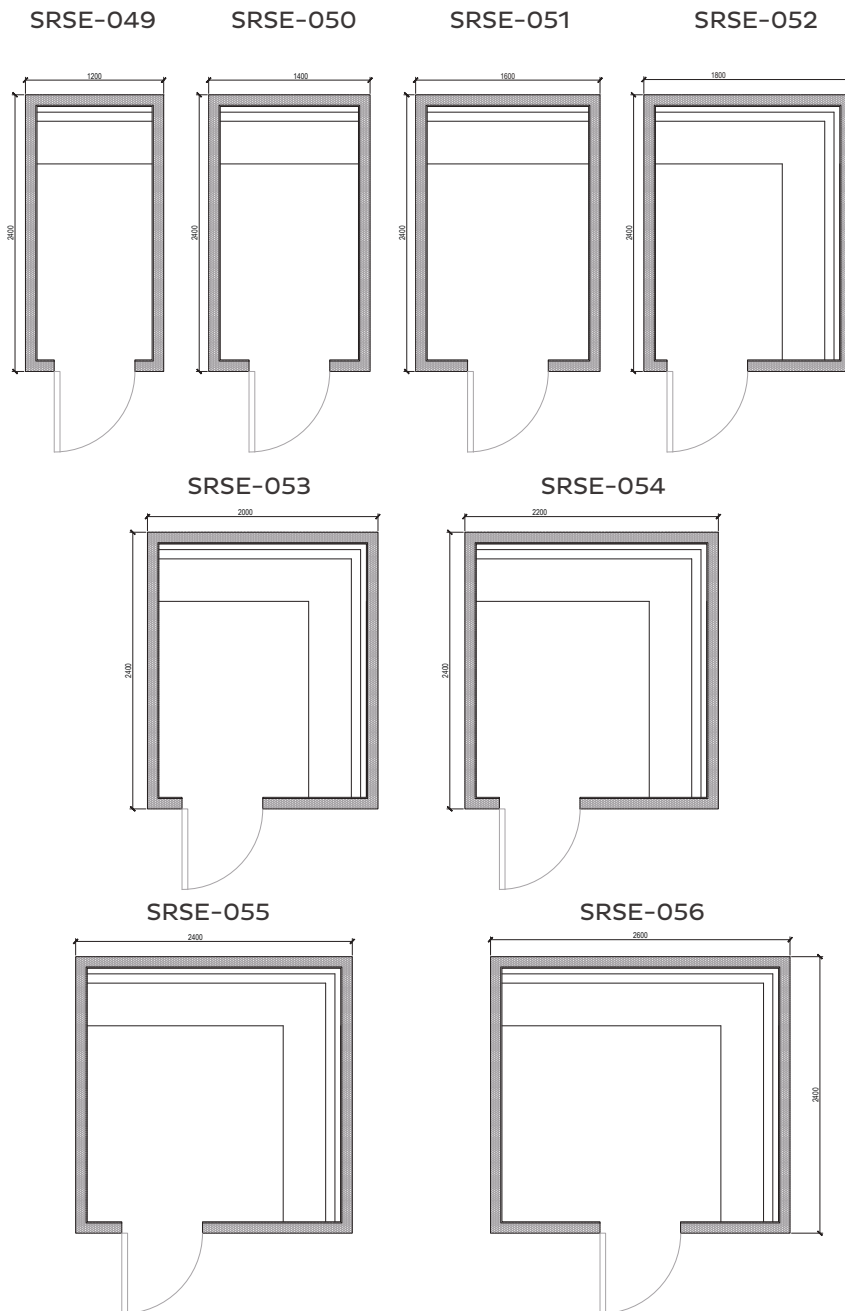
PRODUCT CODE	NO OF PERSONS	OUTER DIMENSIONS	RECOMMENDED GENERATOR
SRSE-033	4	1200 x 2000 x 2200	4.5
SRSE-034	5	1400 x 2000 x 2200	6
SRSE-035	5	1600 x 2000 x 2200	8
SRSE-036	6	1800 x 2000 x 2200	8
SRSE-037	8	2000 x 2000 x 2200	8
SRSE-038	8	2200 x 2000 x 2200	9
SRSE-039	10	2400 x 2000 x 2200	9
SRSE-040	10	2600 x 2000 x 2200	9

*Sauna heater not included
*Sauna accessories not included



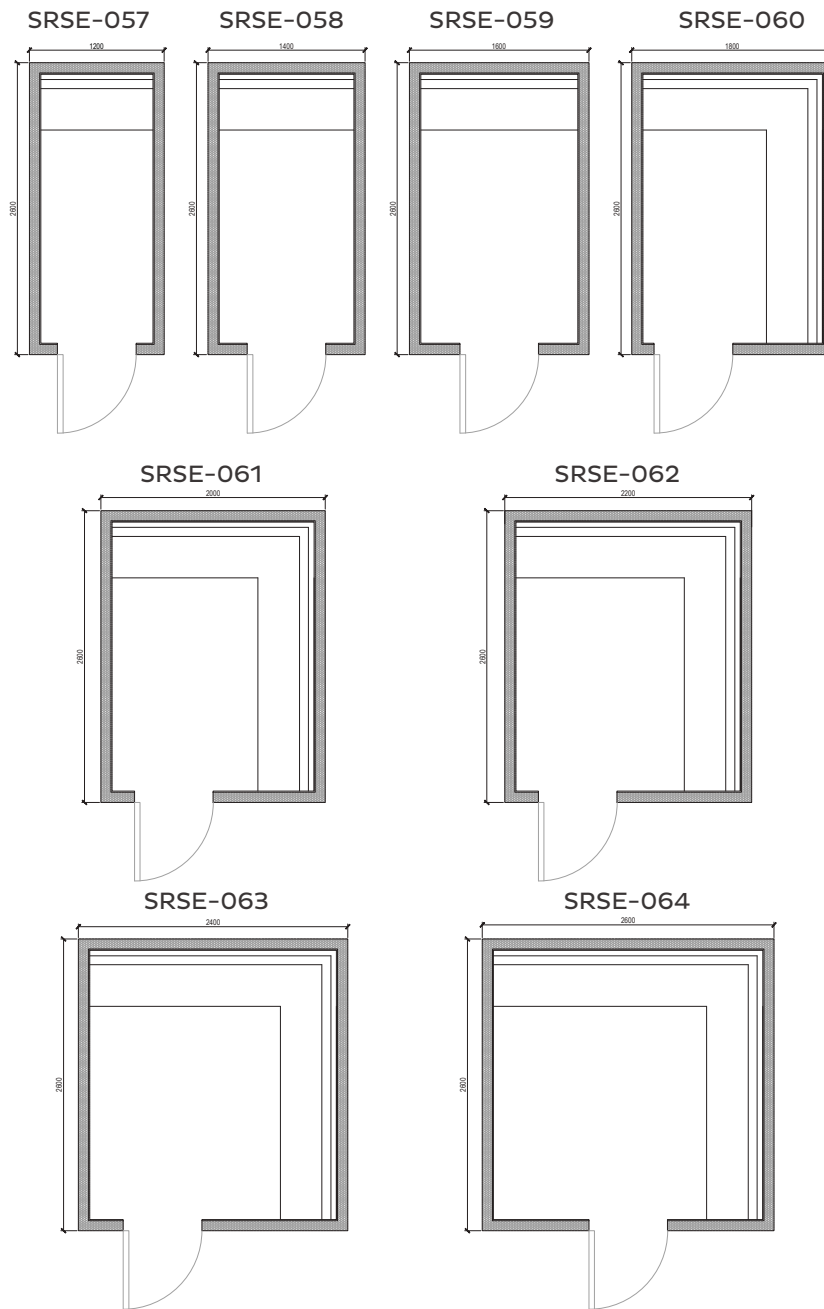
PRODUCT CODE	NO OF PERSONS	OUTER DIMENSIONS	RECOMMENDED GENERATOR
SRSE-41	4	1200 x 2200 x 2200	4.5
SRSE-42	6	1400 x 2200 x 2200	6
SRSE-43	6	1600 x 2200 x 2200	8
SRSE-44	8	1800 x 2200 x 2200	8
SRSE-45	9	2000 x 2200 x 2200	8
SRSE-46	9	2200 x 2200 x 2200	9
SRSE-47	10	2400 x 2200 x 2200	10.5
SRSE-48	10	2600 x 2200 x 2200	10.5

*Sauna heater not included
 *Sauna accessories not included



PRODUCT CODE	NO OF PERSONS	OUTER DIMENSIONS	RECOMMENDED GENERATOR
SRSE-049	4	1200 x 2400 x 2100	6
SRSE-050	4	1400 x 2400 x 2100	6
SRSE-051	6	1600 x 2400 x 2100	8
SRSE-052	6	1800 x 2400 x 2100	8
SRSE-053	8	2000 x 2400 x 2100	9
SRSE-054	8	2200 x 2400 x 2100	9
SRSE-055	9	2400 x 2400 x 2100	12
SRSE-056	10	2600 x 2400 x 2100	12

*Sauna heater not included
*Sauna accessories not included



PRODUCT CODE	NO OF PERSONS	OUTER DIMENSIONS	RECOMMENDED GENERATOR
SRSE-57	4	1200 x 2600 x 2200	6
SRSE-58	4	1400 x 2600 x 2200	6
SRSE-59	6	1600 x 2600 x 2200	8
SRSE-60	6	1800 x 2600 x 2200	8
SRSE-61	8	2000 x 2600 x 2200	9
SRSE-62	8	2200 x 2600 x 2200	9
SRSE-63	9	2400 x 2600 x 2200	12
SRSE-64	10	2600 x 2600 x 2200	12

*Sauna heater not included
 *Sauna accessories not included

STEAM ACCESSORIES



SRSE-A-201

Tempered 8 mm safety glass door with Aluminum hinges and pull handle
Size: 690 x 785 cm



SRSE-A-202



SRSE-A-203



SRSE-A-204



SRSE-A-205



SRSE-A-206

PRODUCT CODE	DESCRIPTION
SRSE-A-201	STEAM GLASS TEMPERED 8MM DOOR
SRSE-A-202	LED STRIP LIGHT FOR STEAM ROOM WHITE 5MTR ROLL
SRSE-A-203	LED STRIP LIGHT FOR STEAM ROOM WARM WHITE 5MTR ROLL
SRSE-A-204	LED STRIP LIGHT FOR STEAM ROOM RGB 5MTR ROLL
SRSE-A-205	REMOTE CONTROL AND CONTROLER FOR RGB LED STRIP LIGHT
SRSE-A-206	ESSENCE DISPENSER

06 SAUNA & STEAM BATHMODULE



SAUNA BATH MODULE

The Steam Bath Restore Module is made of a self-supporting structure and an inside-outside covering in shiny ABS, that ensures absolute waterproofing, maximum durability and UV-resistance. The Steam Bath Restore Module is insulated with materials that guarantee a very high thermal insulation (EPS) and consequently a lower power consumption.

The Steam Bath Restore Module is finished, there is no need of further processing of coating inside or outside, it can be disassembled and moved and the technical room is included in the structure.



W 240 X D 203 X H 240 CM

Accessories included:

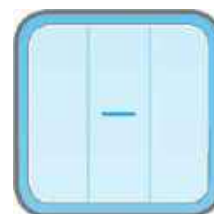
- Electric heater made of steal with the power of 6.0 kw completed with accessories;
- Digital control unit
- Loudspeakers
- Emergency button
- Lighting system with white strip LED behind the pierced wooden wall.
- Front window made in transparent extra-clear tempered glass 10 mm completed with accessories and a pair of handles
- Wooden cup connected to a pipe to put the water on top of the heater



W 240 X D 203 X H 240 CM

Accessories included:

- Electric heater made of steal with the power of 6.0 kw completed with accessories;
- Digital control unit
- Loudspeakers
- Emergency button
- Lighting system with white strip LED behind the pierced wooden wall.
- Front window made in transparent extra-clear tempered glass 10 mm completed with accessories and a pair of handles
- Wooden cup connected to a pipe to put the water on top of the heater

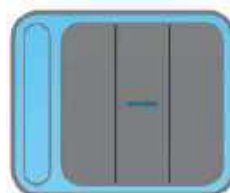


STEAM BATH MODULE

W 295 X D 203 X H 240 CM

Accessories included:

- Steam generator of 4,5 kw- 6kg/h (at the same price it will be supplied with a steam generator of 6kw-8kg/h for public use) completed with insulated pipes and nozzle for steam inlet.
- Technique to spread the essences.
- White shower hose with piezoelectric button for the start.
- Loudspeakers
- Emergency button
- Benches in white shiny fiberglass
- Lighting system with strip LED technology under the benches
- Front window made in transparent extra-clear 10 mm tempered glass completed with accessories and a pair of handles



W 240 X D 203 X H 240 CM

Accessories included:

- Steam generator of 4,5 kw- 6kg/h (at the same price it will be supplied with a steam generator of 6kw-8kg/h for public use) completed with insulated pipes and nozzle for steam inlet.
- Technique to spread the essences.
- White shower hose with piezoelectric button for the start.
- Loudspeakers
- Emergency button
- Benches in white shiny fiberglass
- Lighting system with strip LED technology under the benches
- Front window made in transparent extra-clear 10mm tempered glass completed with accessories and a pair of handles



SHOWER MODULE

The Shower Restore Module is made of a self-supporting structure and an inside-outside covering in shiny ABS, that ensures absolute waterproofing, maximum durability and UV-resistance. The Shower Restore Module is completed with an emotional shower “cold mist” that sprays cold water in fine particles mixed with mint essence illuminated with a blue LED. The shower starts by pushing a waterproof

piezoelectric button and there is the possibility to manually set the duration of the cycle. The Shower Restore Module includes a chrome shower head of 200mm Ø with water mixer on the wall. The shower Restore Module is finished, a blue led light is included, there is no need of further processing of coating inside or outside. It can be disassembled and moved and the technical room is included in the structure.

W 295 X D 203 X H 240 CM

Accessories included: Emotional Shower “Cold Mist”

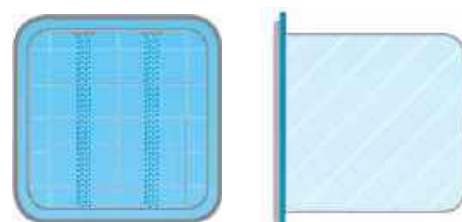
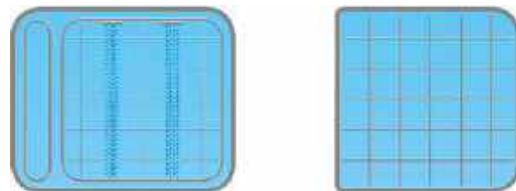
- N°1 Corian shower element on the ceiling, colour on sample;
- N°1 stainless steel chrome nozzle for “cold mist” effect.
- Maximum flow rate 6l/m at 5 bar.
- N°1 Switchboard
- N°1 piezoelectric button ;
- N°1 dosing pump 1,5l/h 5 bar 220V 1A;
- N°2 LED spot lights 3 Watt blue and white including transformer. Standard head shower with water mixer.
- Loudspeakers
- Electric materials, hydraulic materials, pipes, valves and the rest of items necessary to have a finished unit.

W 240 X D 203 X H 240 CM

- N°1 Corian shower element on the ceiling, colour on sample;
- n°1 stainless steel chrome nozzle for “cold mist” effect.
- Maximum flow rate 6l/m at 5 bar.
- n°1 Switchboard
- n°1 piezoelectric button ;
- n°1 dosing pump 1,5l/h 5 bar 220V 1A;
- n°2 LED spotlights 3 Watt blue and white including transformer.

Standard head shower with water mixer.

- Loudspeakers
- Electric materials, hydraulic materials, pipes, valves and the rest of items necessary to have a finished unit.



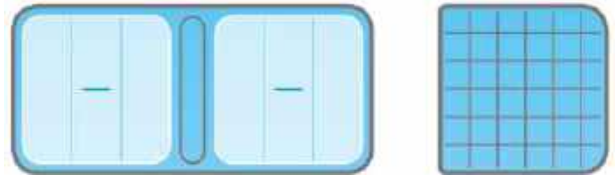
DOUBLE MODULE COMPLETE

W 515 X D 203 X H 240 CM

Sauna + Steam bath

Sauna + Shower

Steam bath + Shower



DOUBLE MODULE RECESSED

W 515 X D 203 X H 240 CM

Sauna + Steam bath

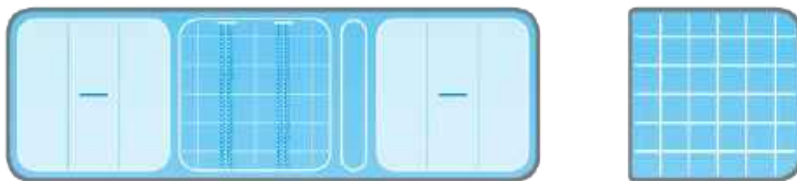
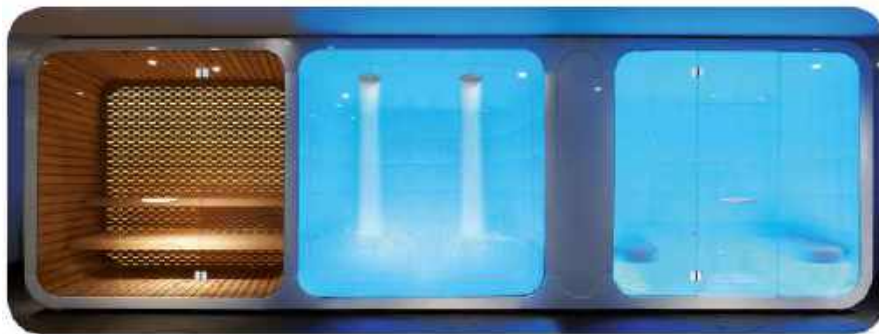
Sauna + Shower

Steam bath + Shower



TRIPLE MODULE

W 740 X D 203 X H 240 CM
Sauna + Steam bath + Shower

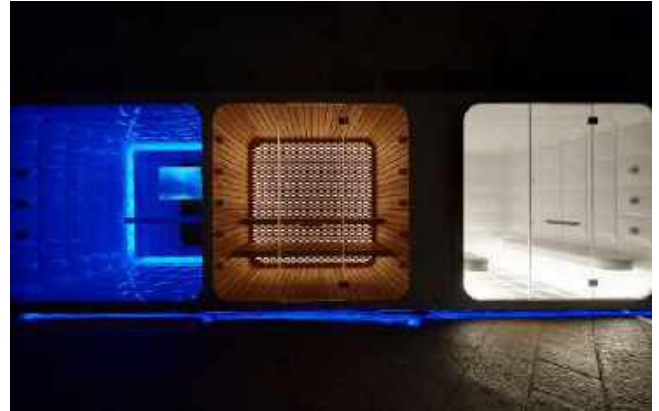


RELAXING BED

Supply of a relaxing bed with ergonomics shape, covered in skay (color sample).







07 STEAM GENERATOR



- A new generation steam generator with a host of advanced features.
- An extra heavy duty and robust steam generator manufactured using top quality teflon coated incolloy elements that resist scaling combined with additional electronics for a long trouble free working life.
- All generators feature an advanced electronic control with on board diagnostics having a series of LEDs to show each operation of the boiler. The generator is fitted with several heating elements that operate sequentially, from cold both elements operate for rapid heating, when the steam room temperature is almost reached a number of the elements drops out, and the required temperature is achieved and maintained by the other elements alternating on and off to gently maintain the temperature without large fluctuations improving user comfort.
- All generators feature an auto drain down with a self flushing cycle to dump the boiler contents in a controlled manner - at the end of each steaming session the generator will stop for a few minutes to allow the water to cool a little then the drain valve will open and after a short time the cold water inlet valve will open to give a period of continuous flushing and draining. Flushing and draining the boiler reduces the buildup of damaging lime scale, cooling the elements before the final drainage helps prolong their useful life.
- Electronic controls with a digital display to enable temperatures of 30 to 60 degrees centigrade and time duration 15 to 240 minutes or continual operation with additional keys for a steam room light, keyboard lock, manual drain down etc.
- Steam inlet nozzle with facility for adding essential oils.
- Safety features include boil dry protection, thermal overload safety cut out and pressure relief valve.
- Complete with installation instructions, 12 months guarantee.
- Please note that for the commercial use of steam generators we strongly recommend the use of softened water, to reduce the buildup of lime scale and reduce maintenance, for additional fragrance injection please order an additional essence dosing kit.
- All steam generators comes with the steam inlet, on-demand steam button, intelligent digital controller, pressure relief valve and auto descating system.
- Frequency 50/60 Hz



CONTROL
PANEL



SWITCH



TOUCH CONTROL
PANEL (Optional)

CODE	POWER	VOLTAGE	PHASE	CURRENT	RECOMMENDED STEAM ROOM	DIMENSIONS (L x W x H)	PACKAGE	WEIGHT	VOLUME
	kW	V	N~	A	m ³	mm		kg	m ³
SG-30	3.0	230	1	13	1.5-3	530 x 180 x 330	1	18.00	0.03
SG-40	4.0	230	1	17	1.8-4	530 x 180 x 330	1	19.25	0.03
SG-45	4.5	230/400	1/3	19.5/6.5	1.8-5	530 x 180 x 330	1	19.50	0.03
SG-60	6.0	230/400	1/3	26.4/8.7	4-6	530 x 180 x 330	1	19.75	0.03
SG-80	8.0	230/400	1/3	34.8/13	5-9	530 x 210 x 370	1	20.00	0.03
SG-90	9.0	230/400	1/3	39/13	6-10	530 x 210 x 370	1	20.25	0.03
SG-105	10.5	230/400	1/3	43.5/15	7-11	530 x 210 x 370	1	20.50	0.03
SG-120	12.0	230/400	1/3	52/17	8-12	530 x 210 x 370	1	20.75	0.03
SG-135	13.5	230/400	1/3	59/19.5	11-16	530 x 210 x 370	1	21.00	0.03
SG-150	15.0	230/400	1/3	65/21.7	11-16	530 x 210 x 370	1	21.25	0.03
SG-180	18.0	230/400	1/3	78/26	13-19	530 x 210 x 370	1	21.25	0.03

STEAM GENERATOR PREMIUM

Technical features:

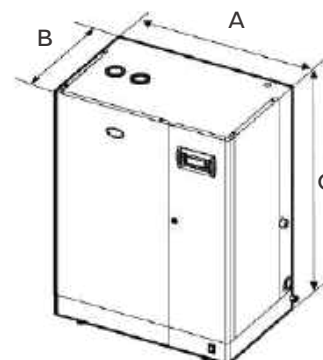
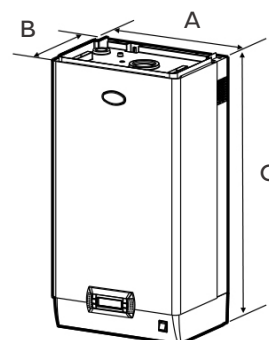
- Programmable time zones (daily and weekly) for steam production, with different temperature set points according to the time to accommodate different types of users
- Input for two probes, averaged to equalize the temperature of the cabin
- Management of 3 pumps for different, user-selectable essences
- Management of 4th specific pump for an automatic programmable sanitization cycle
- Management of fans (intake and exhaust) and cabin light
- The control display can be mounted at a considerable distance, out of technical closet (but not inside the steam cabin)
- User interface in several languages
- Commissioning WIZARD at first switch-on
- All the range from 1,5 to 65 kg/h
- Large alphanumeric/graphic display, 8 lines of text
- State of the art control pCO family
- ON/OFF, Proportional, regulating with 1 or 2 probes
- Signals: 0-1V, 0-10V, 0-20mA, 4-20mA, 0-135 Ohm
- Cylinder lifetime counter
- 0-10V output for controlling a slave unit
- Diagnostics with time-stamping
- Alarm relay and "status" relay
- Standard connectivity: Modbus
- Automatic drain for inactivity
- Wooden cup connected to a pipe to put the water on top of the heater



EASY OPERATION
Backlit LCD for clear understanding of unit operating status and diagnostics



HYGIENE
The water is drained automatically when the unit is inactive for a certain period of time, avoiding stagnation



STEAM GENERATOR ACCESSORIES



RUBBER HOSE
1312360AXX : 22 MM
 FOR STEAM KG/HR 1.5 (4PCS EACH)
1312365AXX: 30 MM
 FOR STEAM KG/HR 3, 5, 9, 10, 15, AND 18 (4PCS EACH)
1312367AXX : 40 MM
 FOR STEAM KG/HR 25,35,45 (4PCS EACH) & 65KG/HR



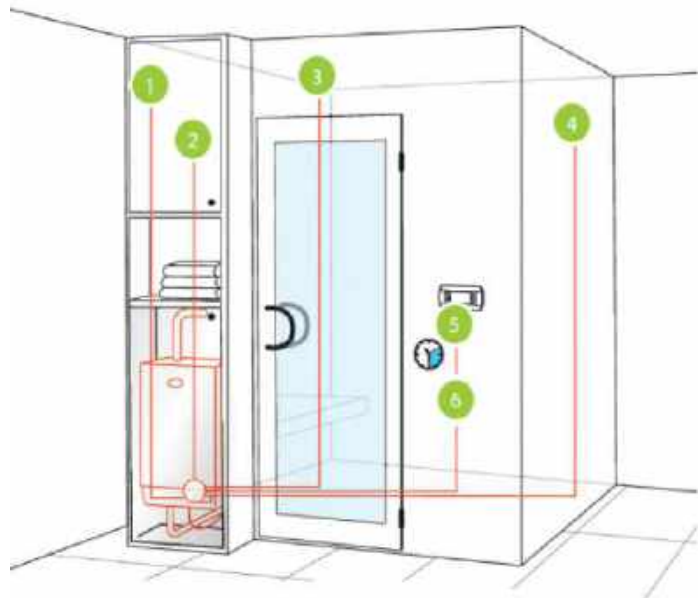
TEMP.SENSOR
DPWC110000 : 10T60GR.C. (OUT 0-1VDC - 4-20MA) / HUMID. RH 10-90% (OUT 0-1VDC - 4-20MA) - FOR STEAM KG/HR 1.5, 3, 5, 9, 10, 15, 18, 25, 35, 45 AND 65 (1PC EACH)



DISTRIBUTORE VAPORE SERIE DP INOX
DP035D22RO : L=350MM DIAM.22
 FOR STEAM KG/HR 1.5 AND 3 (1PC EACH)EACH)
DP035D30RO : L=350MM DIAM.30
 FOR STEAM KG/HR 5 (1PC EACH)
DP060D30RO : L=600MM DIAM.30
 FOR STEAM 9 AND 10 (1PC EACH)
DP085D30RO : L=850MM DIAM.30
 FOR STEAM KG/HR 15 AND 18 (1PC EACH)
DP085D40RO : DIAM=40MM,L=850MM
 FOR STEAM KG/HR25 (1PC EACH)
DP105D40RO : DIAM=40MM,L=1050MM - FOR STEAM KG/HR 35(1PC EACH) 65 (2PCS EACH)
DP125D40RO : STAINLESS STEEL STEAM DISTRIBUTOR, DIAM=40MM,L=1250MM - FOR STEAM KG/HR 45 (1PC EACH)

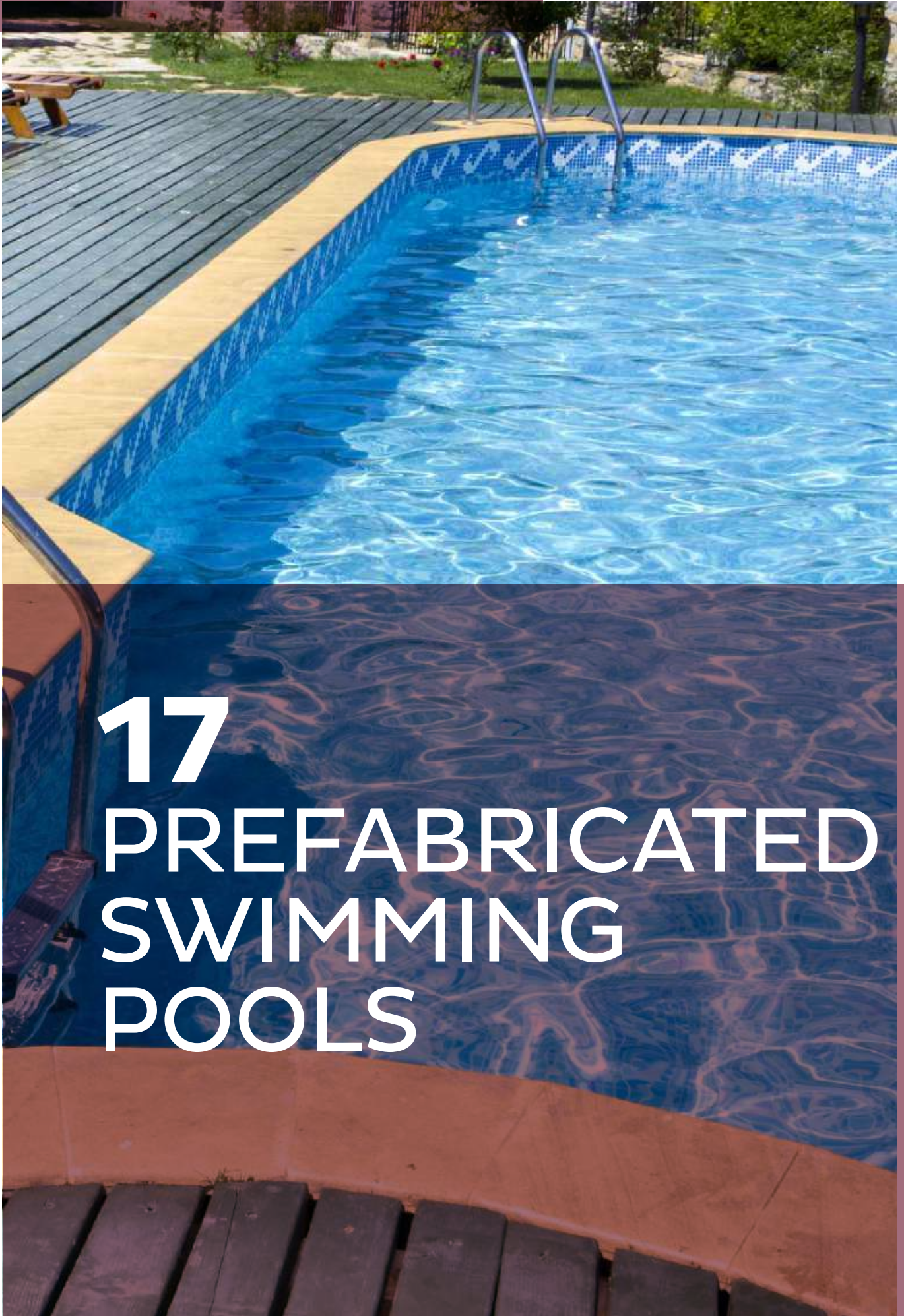


WATER HOSE
FWH3415003 : KIT FLEXIBLE WATER HOSE3/4" 1,5MT - WITH PLASTIC SHEAT FOR STEAM KG/HR 1.5, 3, 5, 9, 10, 15, AND 18 (1PC EACH)
1312368AXX : AIR WATER 15BAR DIAM.9.5INT - FOR STEAM KG/HR 25,35, AND 45 (4PCS EACH) AND 65 (8PCS)



- 1 Cleaning and disinfecting control
- 2 Essence control
- 3 Light control
- 4 Fan control
- 5 Remote control display
- 6 Clock programming function

CODE	POWER	STEAM	VOLTAGE	PHASE	RECOMMENDED STEAM ROOM	DIMENSIONS mm			PACKAGE	WEIGHT	VOLUME
	kW	KG/H	V	N~	m ³	A	B	C		kg	m ³
UE001WDC01	1.2	1	230	1	1-2	365	275	712	1	16	0.071
UE003WDC01	2.25	3	230	1	2-3	365	275	712	1	16	0.071
UE005WDC01	3.75	5	230	1	3-4	365	275	712	1	16	0.071
UE009WDC01	6.75	9	230	1	4-7	365	275	712	1	20	0.071
UE003WLC01	2.25	3	400	3	2-3	365	275	712	1	20	0.071
UE005WLC01	3.75	5	400	3	3-4	365	275	712	1	20	0.071
UE010WLC01	7.5	10	400	3	4-8	365	275	712	1	20	0.071
UE015WLC01	11.25	15	400	3	8-12	365	275	712	1	20	0.071
UE018WLC01	13.5	18	400	3	12-14	365	275	712	1	20	0.071
UE025WLC01	18.75	25	400	3	14-19	545	375	465	1	39	0.095
UE035WDC01	26.25	35	400	3	19-26	545	375	465	1	39	0.095
UE045WLC01	33.75	45	400	3	26-34	635	465	890	1	51	0.095
UE065WDC01	48.75	65	400	3	34-48	635	465	890	1	51	0.095



17 PREFABRICATED SWIMMING POOLS

INDEX

01	MODULO 80	604
02	MODULO 80 STRAIGHT H120	606
03	MODULO 80 FREEFORM H120	608
04	MODULO 80 STRAIGHT H140	610
05	MODULO 80 FREEFORM H140	612
06	OVERFLOW REFGULA	614
07	CA OVERFLOW FORMWORK	616
08	CONCRETE PREFABRICATED OVERFLOW	617
09	PERIMETER EDGE	619

01 MODULO 80

DESCRIPTION

STRUCTURE: All installation have as a starting point a structure, a frame, a base.

Aqua Industrial Group present the "MODULO 80"; a structure de-signed and built in house, the result of experience, knowledge and awareness, respecting all applicable regulations. MODULO 80 is a self-supporting structure built specifically for the swimming pool market, every single detail is designed to facilitate the work of the builder.

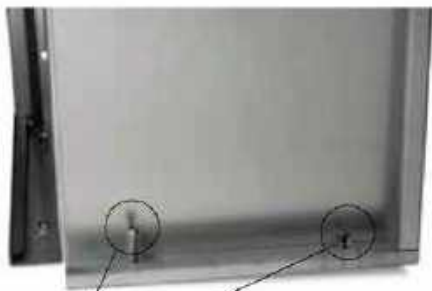
Every details is important, it always been, for this reason our structure is made with a std molt with a 80cm pitch and 2 millimeters with ribs, corners, bends to increase the structural strength, plus back support; prepared with blind holes (skimmers, lights, nozzles). Adjustment screws on the bottom allow to the builder a perfect match between the panels horizontally; and on the back support, there is a loop hole more another hole for a millimeter positioning vertically. Furthermore MODULO 80 lends itself to all the technology: skim-mer or overflow, with the possibility of heights and various options.

TECHNICAL FEATURES

- Panel produced with steel alloy and magnesium
- Industrial production std with pitch 80cm x 2 mm of thick
- Heights different 120-130-140-150
- Structure straight or free form
- Systems with Skimmers or Over flow
- Complete with holes, screws nuts, bolts etc.
- Adjustment with 2 screws for easy coupling
- Loop hole on back support for easily leveling
- Double gasket on ABS articles



CODE	DESCRIPTION
800120000IL	Flat panel without hole l80
800120002IL	Flat panel with overflow skimmer hole l80
800120ASPIL	Flat panel for mud suction nozzle l80
800120003IL	Flat panel with classic light hole l80
800120090IL	90° Corner panel without hole 40x40
800120007IL	Back support h120
800800024B	Screw 12 x 20 zn br
800800025B	Screw m 12 x 60 zn br
800800002C	Nuts m 12 zn square
800800026C	Metal anchor bolt
800800023V	Screw m 8 x 60 zn
800800023S	2Mm spacer for adjustments

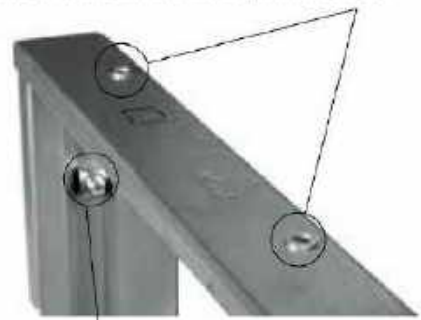


Panel positioning level adjustment screws

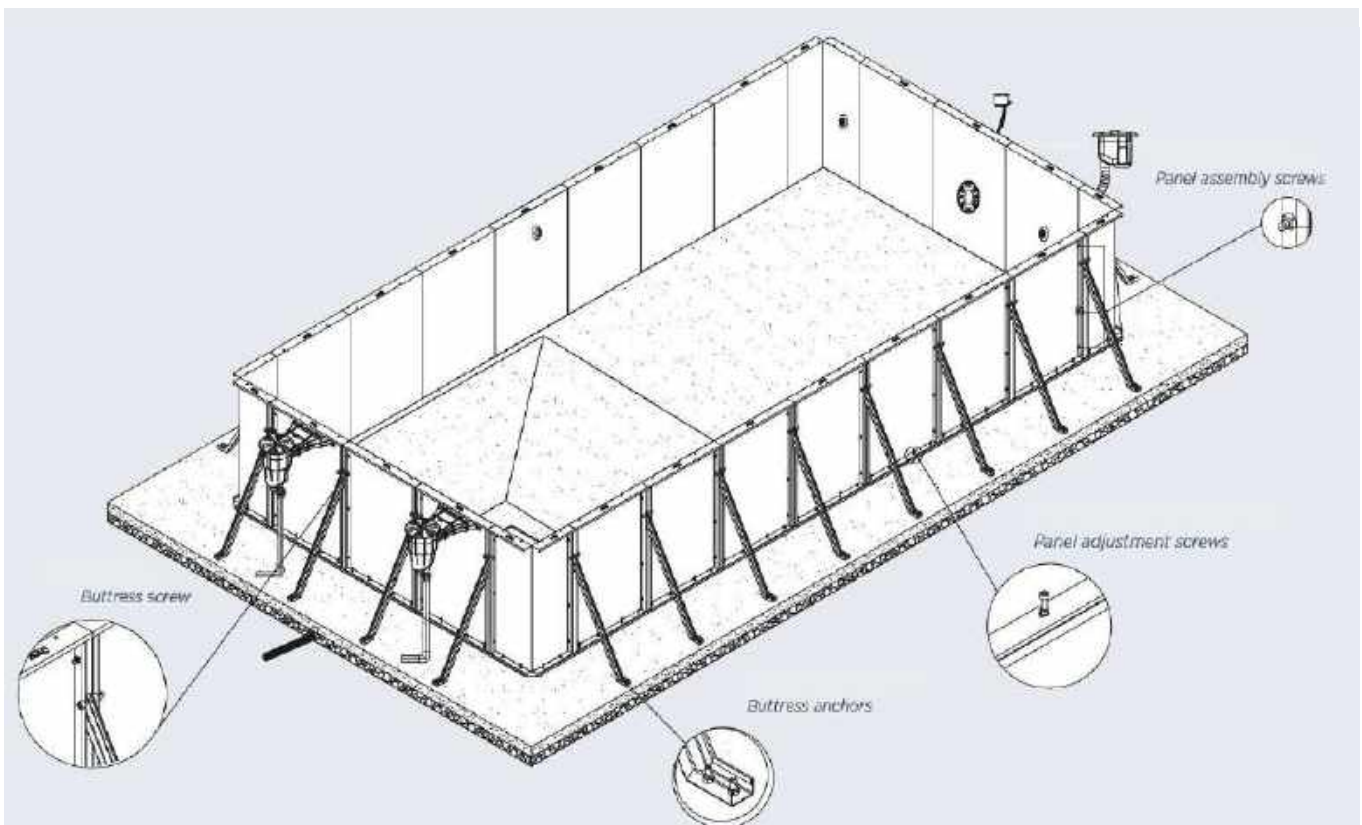


Snap-on system without welds

Inserts for overflow channel adjustment screws



Square nut for panel coupling
(no need of wrench)



02 MODULO 80 STRAIGHT H120

Straight Modulo 80 panels are designed to facilitate the construction of rectangular and polygonal pools with overflow edge or skimmer technology

STRAIGHT MODULO 80 MAGNELIS PANELS 2 MM THICKNESS

CODE	DESCRIPTION
800120000IL	Flat panel without hole l80
800120060IL	Flat panel without hole l60
800120050IL	Flat panel without hole l50
800120040IL	Flat panel without hole l40
800120035IL	Flat panel without hole l35

STRAIGHT MAGNELIS PANEL 2 MM THICKNESS 120 CM HEIGHT WITH HOLE FOR ACCESSORIES

CODE	DESCRIPTION
800120002IL	Flat panel with overflow skimmer hole l 80
800120005IL	Flat panel with classic skimmer hole l 80
800120001IL	Flat panel with nozzle/spot light hole l80
800120003IL	Flat panel with classic light hole l 80
800120ASPIL	Flat panel for mud suction nozzle L80
800120006IL	Flat panel with counter-current swimming system hole l80
800120602IL	Flat panel with overflow skimmer hole l 60
800120605IL	Flat panel with classic skimmer hole l 60
800120601IL	Flat panel with nozzle hole l 60
800120A60IL	Flat panel with mud suction nozzle hole l 60
800120011IL	Flat panel with par 56 light hole l 60

CORNER MAGNELIS PANELS 2MM THICKNESS 120 CM HEIGHT WITHOUT HOLES

CODE	DESCRIPTION
800120090IL	90° corner panel without holes 40 x 40
800120275ILD	Corner junction full panel l 80 RH
800120275ILS	Corner junction full panel l 80 LH

**CORNER MAGNELIS PANELS 2MM THICKNESS 120 CM
HEIGHT WITH HOLES FOR ACCESSORIES**

CODE	DESCRIPTION
800120SK3IL	90° corner panel with sk. hole Corner 40 x 40
800120090IL	Corner junction panel I 80 with inlet holes facilities

**CORNER MAGNELIS PANELS 2MM THICKNESS 120 CM
HEIGHT WITHOUT HOLES**

CODE	DESCRIPTION
800120270IL	270° corner panel without holes 40x40

**CORNER MAGNELIS PANELS 2MM THICKNESS 120 CM
HEIGHT WITH HOLES FOR ACCESSORIES**

CODE	DESCRIPTION
80012027BLD	270° corner panel with hole for nozzle 40x40 RH
80012027BLS	270° corner panel with hole for nozzle 40x40 LH

03 MODULO 80 FREEFORM H120

Modulo 80 free form panels allow building pools of any shape, with over-flow edge or skimmer technology

FREE FORM MAGNELIS PANELS 2 MM THICKNESS 120 CM HEIGHT WITHOUT HOLES

CODE	DESCRIPTION
800120FEOIL	Free form panel without hole l80
800060FEOIL	Free form panel without hole l60
800040FEOIL	Free form panel without holes 140

STRAIGHT MAGNELIS PANEL 2 MM THICKNESS 120 CM HEIGHT WITH HOLE FOR ACCESSORIES

CODE	DESCRIPTION
800120FE2IL	Free form panel with overflow skimmer hole l 80
800120FE5IL	Free form panel with classic skimmer hole l 80
800120FE1IL	Free form panel with nozzle/spot light hole 180
800120FEPIL	Free form panel with mud suction nozzle hole 180
800120FE3IL	Free form panel with par 56 light hole 180
800120FE6IL	Free form panel with counter-current swimming system hole 180

BACK SUPPORT 2 MM THICKNESS FOR PANELS HEIGHT H 120

CODE	DESCRIPTION
800120007IL	Back support h120

STRIP 2 MM THICKNESS FOR FREE FORM PANELS

CODE	DESCRIPTION
8001A20009I	Strip l 2000h 20 with holes for rivets

PROTECTION FOR ACCESSORIES

CODE	DESCRIPTION
800120005	Skimmer protection
800120006	Light protection

PANEL FASTENING NUTS, BOLTS AND ANCHORS

CODE	DESCRIPTION
800800024B	Screws 12 x 20 zn br
800800025B	Screws 12 x 60 zn br
800800023V	Screws m 8 x 60 zn
800800002C	Nuts m 12 zn square
800800023S	2 mm spacer for adjustments
800800026C	Metal anchor bolt

04 MODULO 80 STRAIGHT H140

Straight Modulo 80 panels are designed to facilitate the construction of rectangular and polygonal pools with overflow edge or skimmer technology

STRAIGHT MAGNELIS PANELS 2 MM THICKNESS 140 CM HEIGHT WITHOUT HOLES

CODE	DESCRIPTION
800140000IL	Flat panel without hole l80
800140060IL	Flat panel without hole l60
800140050IL	Flat panel without hole l50
800140040IL	Flat panel without hole l40
800140035IL	Flat panel without hole l35

STRAIGHT MAGNELIS PANEL 2 MM THICKNESS 140 CM HEIGHT WITH HOLE FOR ACCESSORIES

CODE	DESCRIPTION
800140002IL	Flat panel with overflow skimmer hole l 80
800140005IL	Flat panel with classic skimmer hole l 80
800140001IL	Flat panel with nozzle/spot light hole l80
800140003IL	Flat panel with classic light hole l 80
800140ASPIL	Flat panel for mud suction nozzle L80
800140006IL	Flat panel with counter-current swimming system hole l80
800140602IL	Flat panel with overflow skimmer hole l 60
800140605IL	Flat panel with classic skimmer hole l 60
800140601IL	Flat panel with nozzle hole l 60
800140A60IL	Flat panel with mud suction nozzle hole l 60
800140011IL	Flat panel with par 56 light hole l 60

CORNER MAGNELIS PANELS 2MM THICKNESS 140 CM HEIGHT WITHOUT HOLES

CODE	DESCRIPTION
800140090IL	90° corner panel without holes 40 x 40
800140275ILD	Corner junction full panel l 80 RH
800140275ILS	Corner junction full panel l 80 LH

CORNER MAGNELIS PANELS 2MM THICKNESS 140 CM HEIGHT WITH HOLES FOR ACCESSORIES

CODE	DESCRIPTION
800140SK3IL	90° corner panel with sk. hole Corner 40 x 40
800140090IL	Corner junction panel 80 with inlet hole facilities

CORNER MAGNELIS PANELS 2MM THICKNESS 140 CM HEIGHT WITHOUT HOLES

CODE	DESCRIPTION
800140270IL	270° corner panel without holes 40 x 40

CORNER MAGNELIS PANELS 2MM THICKNESS 140 CM HEIGHT WITH HOLES FOR ACCESSORIES

CODE	DESCRIPTION
80014027BLD	270° corner panel with hole for nozzle 40 x 40 RH
80014027BLS	270° corner panel with hole for nozzle 40 x 40 LH

05 MODULO 80 FREEFORM H140

Modulo 80 free form panels allow building pools of any shape, with over-flow edge or skimmer technology.

FREE FORM MAGNELIS PANELS 2 MM THICKNESS 140 CM HEIGHT WITHOUT HOLES

CODE	DESCRIPTION
800140FEOIL	Free form panel without hole l80
800460FEOIL	Free form panel without hole l60
800440FEOIL	Free form panel without holes 140

STRAIGHT MAGNELIS PANEL 2 MM THICKNESS 140 CM HEIGHT WITH HOLE FOR ACCESSORIES

CODE	DESCRIPTION
800140FE2IL	Free form panel with overflow skimmer hole l 80
800140FE5IL	Free form panel with classic skimmer hole l 80
800140FE1IL	Free form panel with nozzle/spot light hole 180
800140FEPIL	Free form panel with mud suction nozzle hole 180
800140FE3IL	Free form panel with par 56 light hole 180
800140FE6IL	Free form panel with counter-current swimming system hole 180

BACK SUPPORT 2 MM THICKNESS FOR PANELS HEIGHT H 140

CODE	DESCRIPTION
800140007IL	Back support h140

STRIP 2 MM THICKNESS FOR FREE FORM PANELS

CODE	DESCRIPTION
800120009I	Strip l 2000 h 20 with holes for rivets

PROTECTION FOR ACCESSORIES

CODE	DESCRIPTION
800120005	Skimmer protection
800120006	Light protection

PANEL FASTENING NUTS, BOLTS AND ANCHORS

CODE	DESCRIPTION
800800024B	Screws 12 x 20 zn br
800800025B	Screws 12 x 60 zn br
800800023V	Screws m 8 x 60 zn
800800002C	Nuts m 12 zn square
800800023S	2 mm spacer for adjustments
800800026C	Metal anchor bolt

06 OVERFLOW REFGULA

DESCRIPTION

The Overflow edge channel REGULA is a new Product by aqua pool division, which can be easily used with MODULO 80 panels. The Depth of the overflow channel can be adjusted from 17 cm up to 25 and can be installed with a slight slope towards the drains (d.125) to obtain a higher flow rate. Manifolds can be installed near the compensation tank to save time and materials. The adjustable overflow channel can be matched with stone grids with overflow over the grid and under the edge, or with a traditional 25 cm grid. It must be lined with PVC sheet to guarantee waterproofing



STRAIGHT OVERFLOW CHANNEL REGULA WITHOUT DRAIN

CODE	DESCRIPTION
802100005	Straight overflow channel 2 m
802100006	Straight overflow channel 1.5 m
802100007	Straight overflow channel 1 m
802100008	Straight overflow channel 0.5 m

STRAIGHT OVERFLOW CHANNEL REGULA WITH DRAIN D.125

CODE	DESCRIPTION
802100161	Straight overflow channel 2 m
802100166	Straight overflow channel 1.5 m
802100163	Straight overflow channel 1 m

CORNER OVERFLOW CHANNEL REGULA WITHOUT DRAIN

CODE	DESCRIPTION
802100013	90° corner overflow channel 50 x 50
802100015	270° inverted corner overflow channel 50 x 50

FREE FORM OVERFLOW CHANNEL REGULA

CODE	DESCRIPTION
802100009	Free form overflow channel m 1.6
802100010	Free form overflow channel m 1
802100011	Free form overflow channel m 0.4

ACCESSORIES FOR REGULA OVERFLOW CHANNEL

CODE	DESCRIPTION
802100016	Overflow channel support bracket
802100017	RH channel cap
802100018	LH channel cap
802100021	Self-drilling ultra low head screw 4.2 x 13 for fastenings
800100176	Drilled plate for drain d.125

07 CA OVERFLOW FORMWORK

CONTEXT OF USE

Modular formwork structure for public and private pools with overflow edge technology

DESCRIPTION

Formwork structure in synthesised expanded polystyrene (EPS). With straight or pre-cut formworks, this system allows the construction of pools of any shape and dimension. Accessories such as skimmers, nozzles operations that can be performed on-site

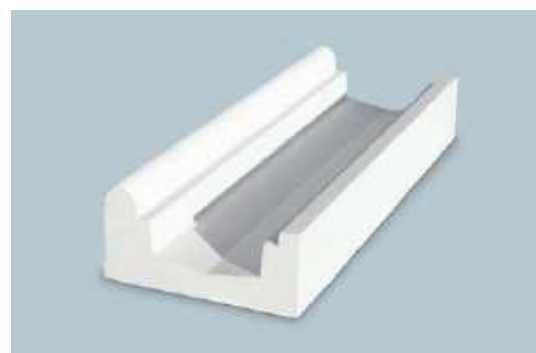
TECHNICAL FEATURES

Second ZA annex of UNI EN 13163:2008 Standard
 Thermal conductivity (10 samples) 0,0332 w/mk
 Standard deviation (10 measurements): s 0,0006 w/k
 Compressive stress CS level (10)150: $\sigma_{10} \geq 170$ kPa
 Long period water absorption WL (T) 5: $W_{it} < 5,0\%$
 Reaction to fire euroclass "E"
 Emission of hazardous substances: compliant



CODE	DESCRIPTION
400400400Z	Straight formwork 1250 x 300 x 250
400400401Z	Precut formwork 1250 x 300 x 250
400400405Z	Terminal formwork
400400412Z	Insert formwork r 1.5
400400413Z	Insert formwork r 2.0
400400414Z	Insert formwork r 2.5
400400415Z	Insert formwork r 3.0
400400416Z	Insert formwork r 0

08 CONCRETE PREFABRICATED OVERFLOW



CONTEXT OF USE

Public and private pool with overflow edge technology and concrete EPS formwork structure

DESCRIPTION

Prefabricated concrete edge for wide grid 25c m.
Add PVC lining to ensure waterproofing or paint with epoxy coating.

TECHNICAL FEATURES

Edge in shaped concrete with round beach with depth from 180 cm -320cm-407cm length 1 m.

OVERFLOW CHANNEL WITHOUT DRAIN H180

CODE	DESCRIPTION
400400100P	Overflow channel mt.1 with drain Ø125mm
400400101	Straight overflow channel 0.33 m
400400102	90° corner overflow channel
400400103	270° corner overflow channel
400400104	RH end overflow channel
400400105	LH end overflow channel

OVERFLOW CHANNEL WITHOUT DRAIN H 180

CODE	DESCRIPTION
400400110	Radial overflow channel r 1.0 m 0.75
400400111	Radial overflow channel r 1.5 m 0.78
400400112	Radial overflow channel r 2.0 m 0.82
400400113	Radial overflow channel r 2.5 m 0.83
400400114	Radial overflow channel r 3.0 m 0.85
400400115	Radial overflow channel r 3.5 m 0.85
400400116	Radial overflow channel r 4.0 m 0.85
400400117	Radial overflow channel r 4.5 m.0.85
400400118	Radial overflow channel r 5.0 m 0.85
400400119	Radial overflow channel r 6.0 m.0.85
400400120	Radial overflow channel r 7.0 m 0.85
400400121	Radial overflow channel r 8.0 m 0.85
400400125	Radial overflow channel r 1.5 inverted m 0.93
400400126	Radial overflow channel r 3.5 inverted m 0.93

OVERFLOW CHANNEL WITHOUT DRAIN H320

CODE	DESCRIPTION
400400130P	Straight overflow channel mt.1 with drain Ø 125mm
400400131	Straight overflow channel 0.33 m
400400132	90° corner overflow channel
400400133	270° corner overflow channel

OVERFLOW CHANNEL WITHOUT DRAIN H320

CODE	DESCRIPTION
400400145	PVC drain d.90-110-125

09 PERIMETER EDGE



CODE	DESCRIPTION
400400150	Straight white smooth edge l 60 cm
400400151	Straight white smooth edge l 30 cm
400400152	90° corner white smooth edge l 0.10 X 0.10 cm
400400153	270° corner white smooth edge l 0.40 X 0.40 cm
400400154	Roman step corner white smooth edge RH l 0.30 X 0.37 cm
400400155	Roman step corner white smooth edge LH l 0.30 X 0.37 cm
400400160	Radial edge r.0.15L 25cm
400400161	Radial edge r.0.25 L 27 cm
400400162	Radial edge r.0.50 L 39 cm
400400163	Radial edge r.0.75 L 42cm
400400164	Radial edge r.1.00 L 46 cm
400400165	Radial edge r.1.25 L 48 cm
400400166	Radial edge r.1.50 L 49 cm
400400167	Radial edge r.1.60 L 50 cm
400400168	Radial edge r.1.80 L.51 cm
400400169	Radial edge r.2.00 L 52 cm
400400170	Radial edge r.2.30 L 53 cm
400400171	Radial edge r.2.50 L 53 cm
400400172	Radial edge r.2.75 L 54cm
400400173	Radial edge r.3.00 L 54cm
400400174	Radial edge r.3.50 L 55cm
400400175	Radial edge r.4.00 L 55cm
400400176	Radial edge r.4.50 L 56cm
400400177	Radial edge r.5.00 L 57cm
400400178	Radial edge r.5.50 L 57cm
400400179	Radial edge r.6.00 L 57cm
400400190	Inverted radial edge r.0.50 L 61 cm
400400191	Inverted radial edge r.1.00 L 61 cm
400400192	Inverted radial edge r.1.50 L 61 cm
400400193	Inverted radial edge r.2.00 L 61 cm
400400194	Inverted radial edge r.2.50 L 61 cm
400400195	Inverted radial edge r.3.00 L 61 cm
400400196	Inverted radial edge r.3.50 L 61 cm
400400197	Inverted radial edge r.4.00 L 61 cm
400400198	Inverted radial edge r.4.50 L 61 cm
400400199	Inverted radial edge r.5.00 L 61 cm
400400200	Inverted radial edge r.5.50 L 61 cm
400400201	Inverted radial edge r.6.00 L 61 cm
400490001	Sanding process supplement
400490002	Colour variant supplement

SWIMMING POOL QUOTATION FORM

DATA _____ AQUA COMMERCIAL REF. _____

CUSTOMER _____ CUSTOMER REFERENCE _____

SWIMMING POOL SPECIFICATIONS

HOT TO INSTALL Under floor level Over floor level

TYPE _____ OVERALL SIZE _____ HEIGHT _____

STRUCTURE TYPE Modular modulo 80 Concrete + PVC Liner Concrete + Tiles EPS Formworks

LADDER TYPE Square Lenght.mt _____ Round Rradius.mt _____

COATING TYPE PVC Liner Type _____ Color _____ Tiles Edge Type _____

CIRCULATION

SKIMMER Type: Overflow Angular Classic QTY _____

OVER FLOW Inlet QTY _____ Vacuum Inlet QTY _____ Whirlpool Inlet QTY _____

FILTRATION Assembled Kit Bunker Single-Phase Three-Phase Note _____

ELECTRIC PANEL T. Control _____ Classic _____

LIGHTING

WHITE LED 720 Lumen 1800 Lumen 3700 Lumen QTY _____

RGB LED 1015 Lumen 3500 Lumen QTY _____

WHITE/BLUE LED 1500 Lumen QTY _____

WHITE SPOT LED 200 Lumen 600 Lumen QTY _____

RGB SPOT LED QTY _____

300W LIGHT 4500 lumen QTY _____

WHITE/BLUE SPOT LED QTY _____

BUNKER-KIT QUOTATION FORM

DATA _____ AQUA COMMERCIAL REF. _____

CUSTOMER _____ CUSTOMER REFERENCE _____

TYPE

- Easy 1 & 2 Polyethylene
 Easy 3&4&5 Fiber Glass Bunker
 Pre-Assembled Kitbunker
 Frontal Group Ø
 Whirlpool Kit
 Other _____

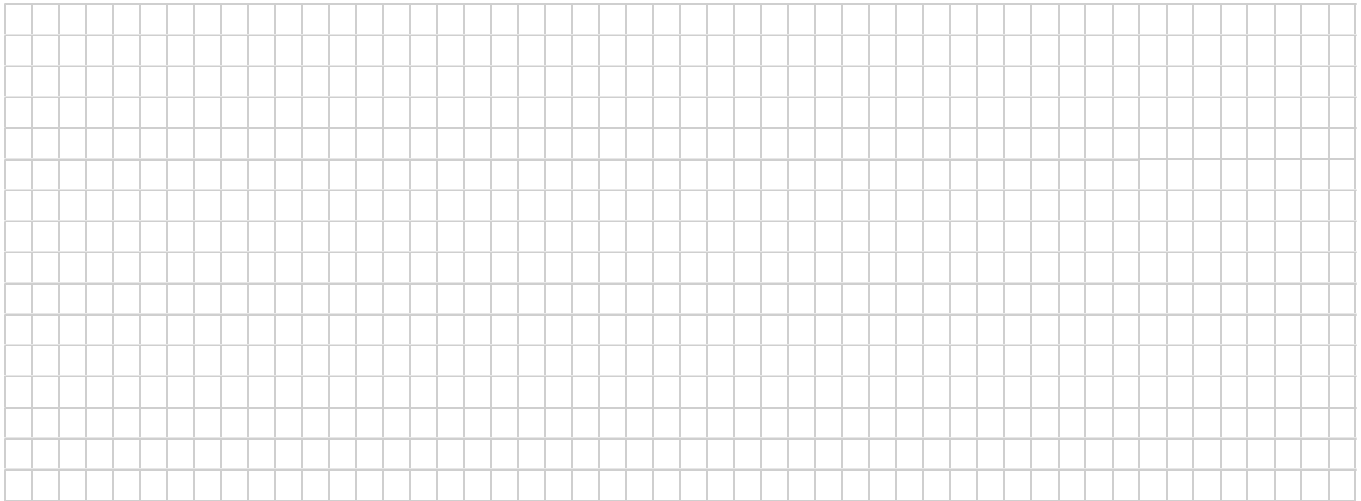
TECHNICAL FEATURES

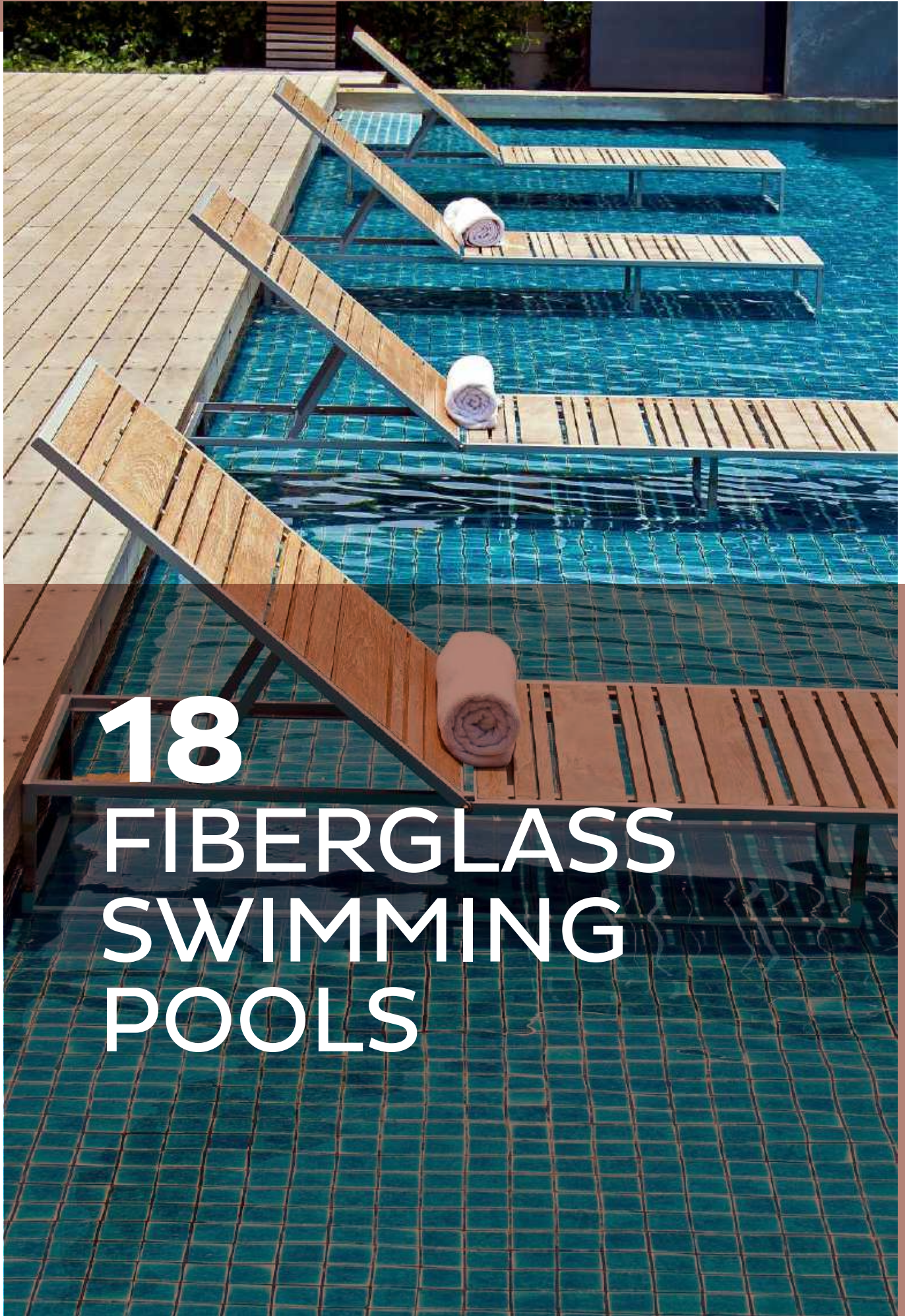
- | | |
|--|--|
| <input type="checkbox"/> FILTER TYPE Ø _____ N° _____ | <input type="checkbox"/> OVERFLOW TANK Ø _____ N° _____ |
| <input type="checkbox"/> PUMP TYPE Ø _____ N° _____ | <input type="checkbox"/> EXTERNAL BY-PASS Ø _____ N° _____ |
| <input type="checkbox"/> INLETS Ø _____ N° _____ | <input type="checkbox"/> INTERNAL BY-PASS Ø _____ N° _____ |
| <input type="checkbox"/> SKIMMERS Ø _____ N° _____ | <input type="checkbox"/> CHLORINE GENERATOR M3 _____ Type _____ |
| <input type="checkbox"/> DRAINS Ø _____ N° _____ | <input type="checkbox"/> HEAT EXCHANGER Kcal _____ Type _____ |
| <input type="checkbox"/> VACUUM INLETS Ø _____ N° _____ | <input type="checkbox"/> _____ |

- | | |
|--|---|
| <input type="checkbox"/> WHIRLPOOL PUMP kW _____ Type _____ | <input type="checkbox"/> SUCTION Ø _____ N° _____ |
| <input type="checkbox"/> BLOW PUMP kW _____ Type _____ | <input type="checkbox"/> OUTLET Ø _____ N° _____ |
| <input type="checkbox"/> T CONTROL ELECTRIC PANEL _____ | <input type="checkbox"/> ELETRIC PANEL _____ |
| <input type="checkbox"/> POWER TRANSFORMER _____ Type _____ | <input type="checkbox"/> WHIRLPOOL CONTROL BOX _____ |

Note _____

DIAGRAM





18 FIBERGLASS SWIMMING POOLS

INDEX

01	FIBERGLASS SWIMMING POOL MODEL “KORO”	628
02	FIBERGLASS SWIMMING POOL MODEL “TOBA”	629
03	FIBERGLASS SWIMMING POOL MODEL “ANDAMAN”	630
04	FIBERGLASS SWIMMING POOL MODEL “GARDA 800”	631
05	FIBERGLASS SWIMMING POOL MODEL “GARDA 950”	632
06	FIBERGLASS SWIMMING POOL MODEL “WANAKA 650”	633
07	FIBERGLASS SWIMMING POOL MODEL “WANAKA 750”	634
08	FIBERGLASS SWIMMING POOL MODEL “WANAKA 850”	635
09	FIBERGLASS SWIMMING POOL MODEL “WANAKA 1000” ...	636
10	FIBERGLASS SWIMMING POOL MODEL “DOVE OVERFLOW 670”	637
11	FIBERGLASS SWIMMING POOL MODEL “DOVE OVERFLOW 850”	638
12	FIBERGLASS SWIMMING POOL MODEL “DOVE OVERFLOW 1020”	639
13	FIBERGLASS SWIMMING POOL MODEL “CITY POOL”	640

FIBERGLASS COMPOSITE TECHNOLOGY



CHOOSE YOUR MODEL



KORO
500x265x140 cm
Weight: 400 kg



WANAKA 850
850x370x150cm
Weight: 920 kg



TOBA
600x300x145cm
Weight: 500 kg



WANAKA 1000
1000x370x150cm
Weight: 1050 kg



ANDAMAN
820x350x155cm
Weight: 740 kg



DOVE OVERFLOW 670
670x390x138cm
Weight: 750 kg



GARDA 800
800x370x150cm
Weight: 800 kg



DOVE OVERFLOW 850
850x390x138cm
Weight: 950 kg



GARDA 950
950x370x150cm
Weight: 950 kg



DOVE OVERFLOW 1020
102x390x138cm
Weight: 1100 kg



WANAKA 650
650x330x150cm
Weight: 650 kg



CITY POOL
475x243x135cm
Weight: 400 kg

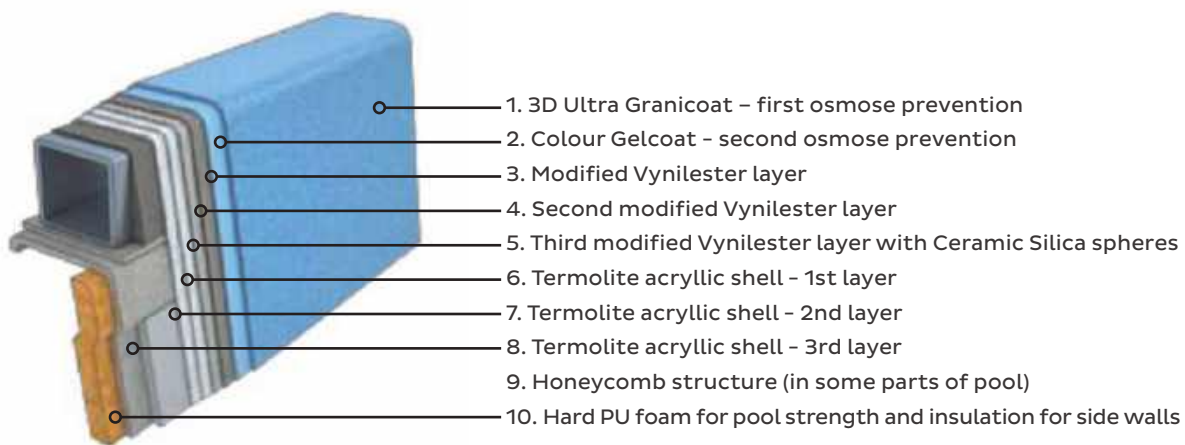


WANAKA 750
750x370x150cm
Weight: 820 kg

THE LUXURY POOLS

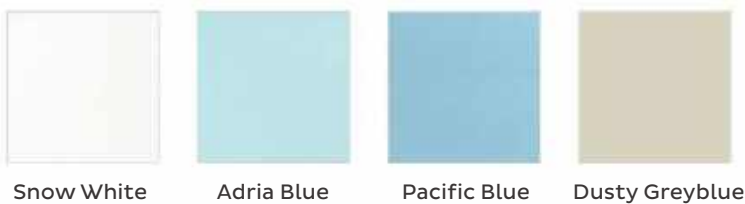


- Fibreglass pools, are specially made for severe northern Europe, Scandinavian and Russian climate, resistant to big temperature changes.
- All layers are of highest quality products from world famous producers.
- We produce pools with possibility to put one into other, so the transportation costs will be as low as possible for this type of pools.



CHOOSE YOUR COLOUR

SOLID "GELCOAT" SURFACES:



"3D ULTRA GRANICOAT" SURFACES:

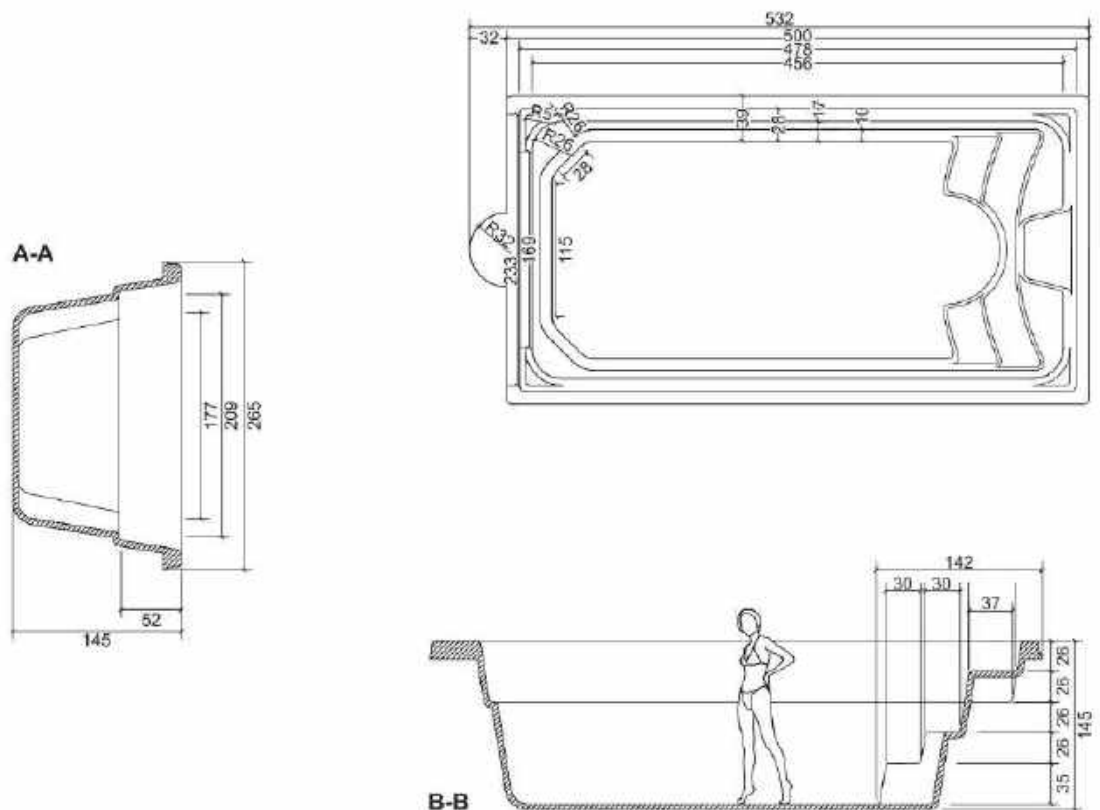


01 FIBERGLASS SWIMMING POOL MODEL "KORO"



We deliver You our new model with double sided steps to perfectly suit any garden. This pool can be easily used as a SwimSPA.

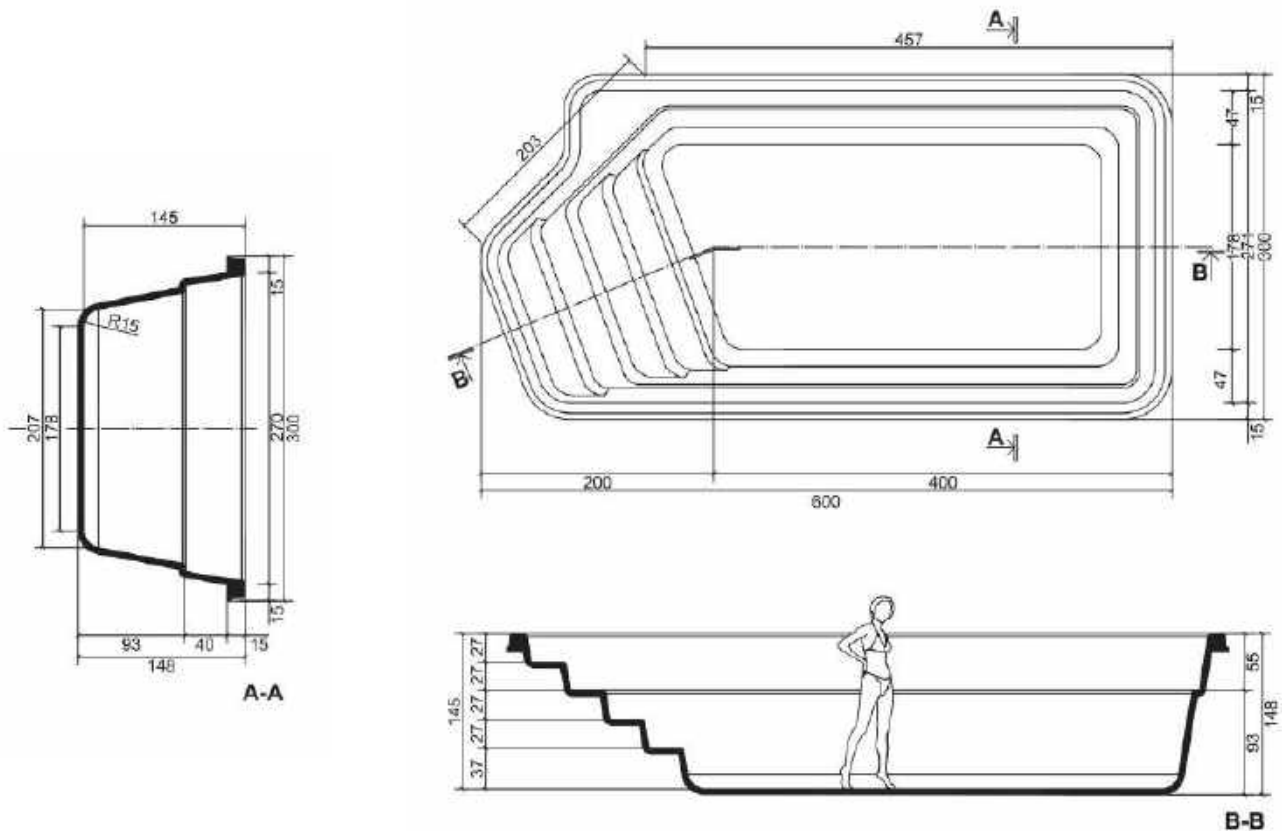
- Dimensions: 500 x 265 x 140 cm
- Weight: 400 kg



02 FIBERGLASS SWIMMING POOL MODEL "TOBA"

This small model will perfectly suit to any garden or may be a good solution as indoor pool.

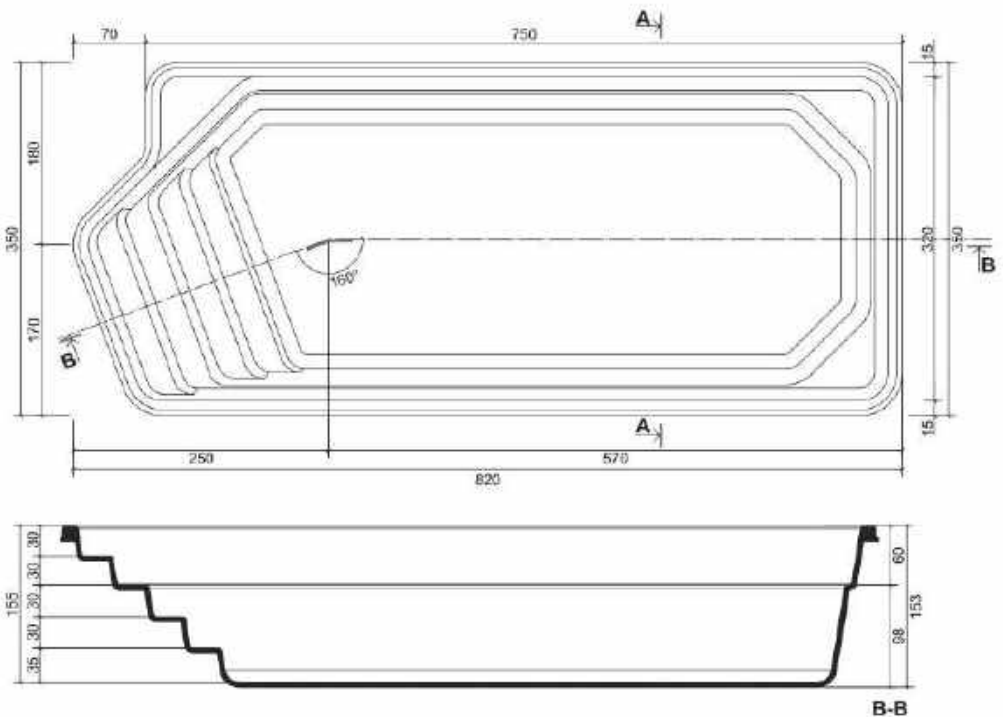
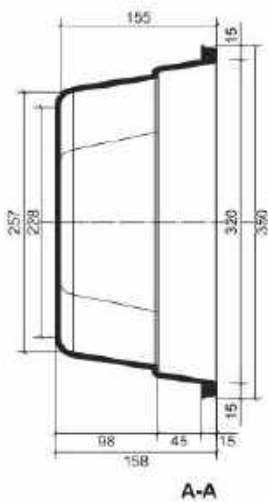
- Dimensions: 600 x 300 x 145 cm
- Weight: 500 kg



03 FIBERGLASS SWIMMING POOL MODEL "ANDAMAN"



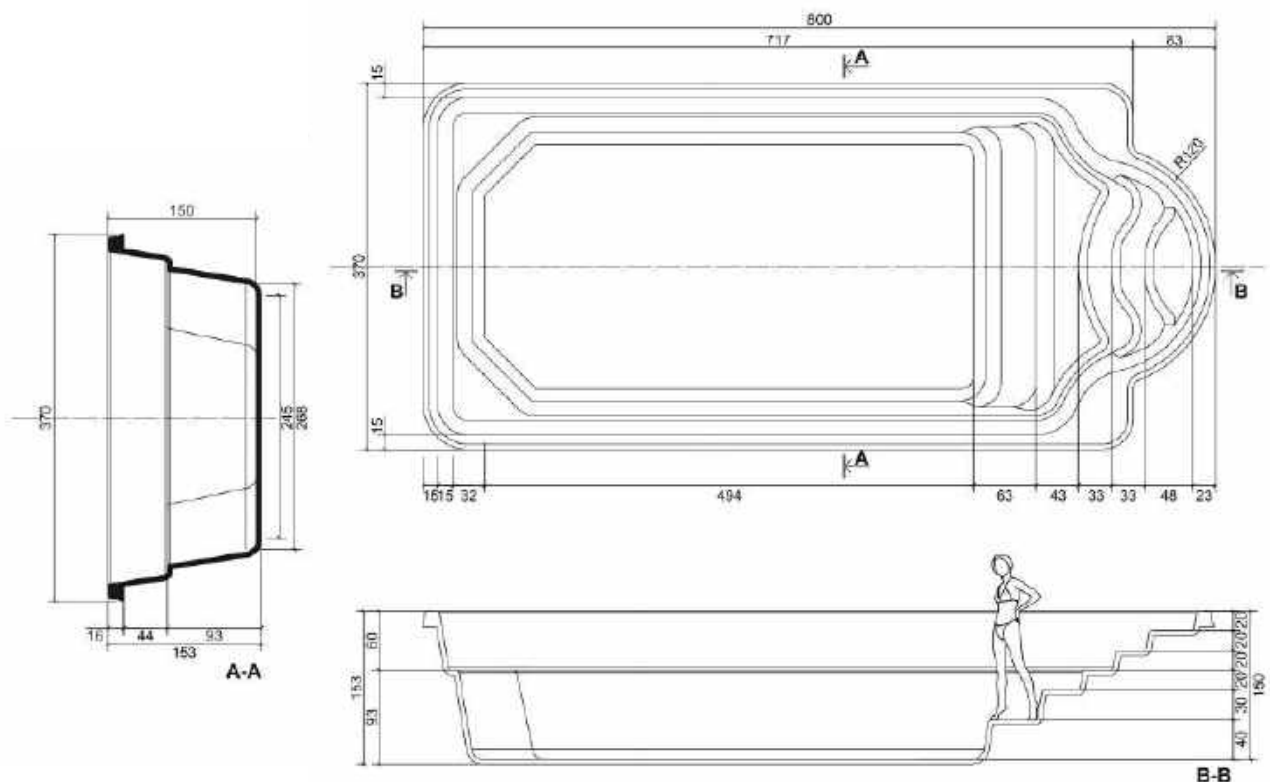
- It is a bigger extent pool with ability to apply in any shape or size
- Land plot. The pool has stairs and sitting places.
- This model matches all standards of big outdoor pools.
- Dimensions: 820 x 350 x 155 cm
- Weight: 740 kg



04 FIBERGLASS SWIMMING POOL MODEL "GARDA 800"

Roman style pool with comfortable sitting area in the end of pool.
5 entrance steps for easier access to the pool.

- Dimensions: 800 x 370 x 150 cm
- Weight: 800 kg

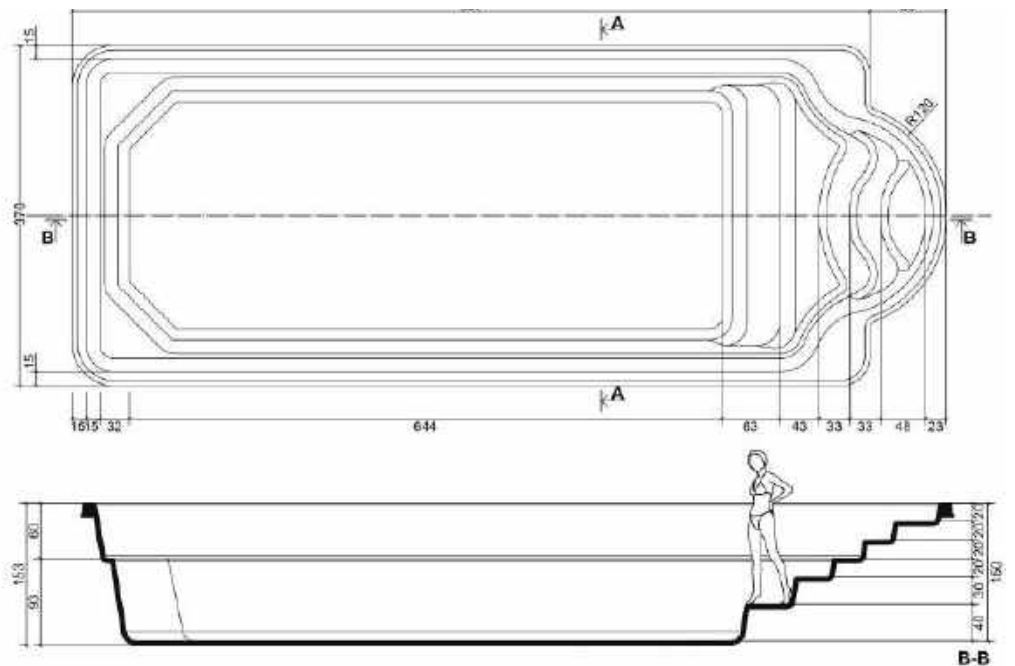
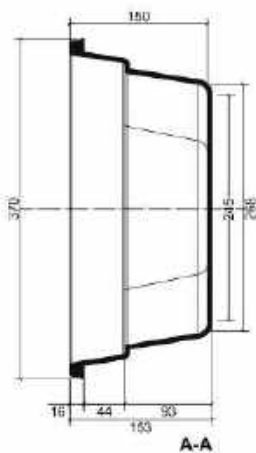


05 FIBERGLASS SWIMMING POOL MODEL "GARDA 950"



Roman style pool with comfortable sitting area in the end of pool.
5 entrance steps for easier access to the pool.

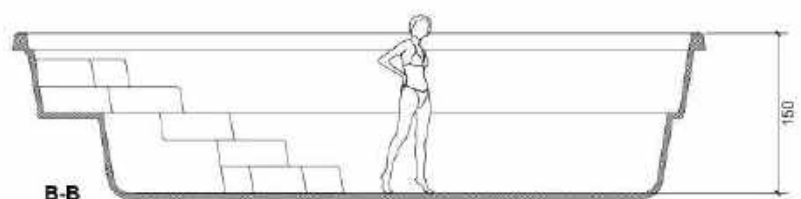
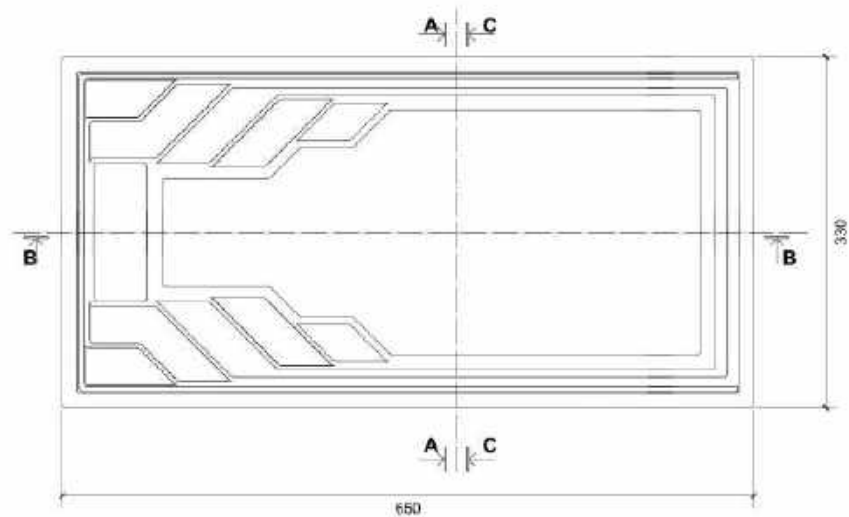
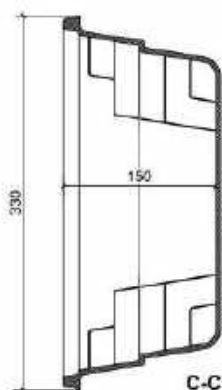
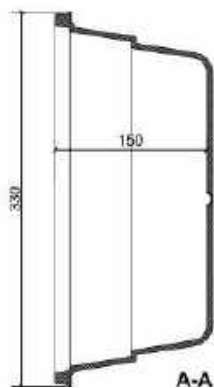
- Dimensions: 950 x 370 x 150 cm
- Weight: 950 kg



06 FIBERGLASS SWIMMING POOL MODEL "WANAKA 650"

Modern style rectangular pool model with two side 5 wide steps. This pool model can be supplied with slats cover system.

- Dimensions: 650 x 330 x 150 cm
- Weight: 650 kg

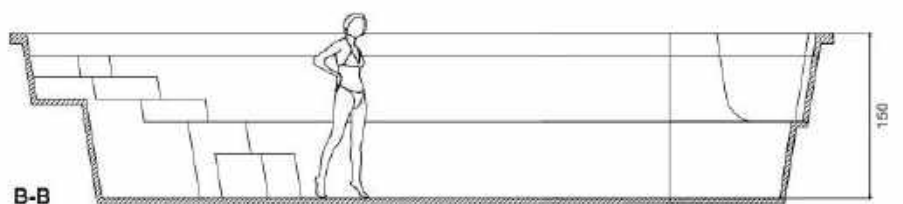
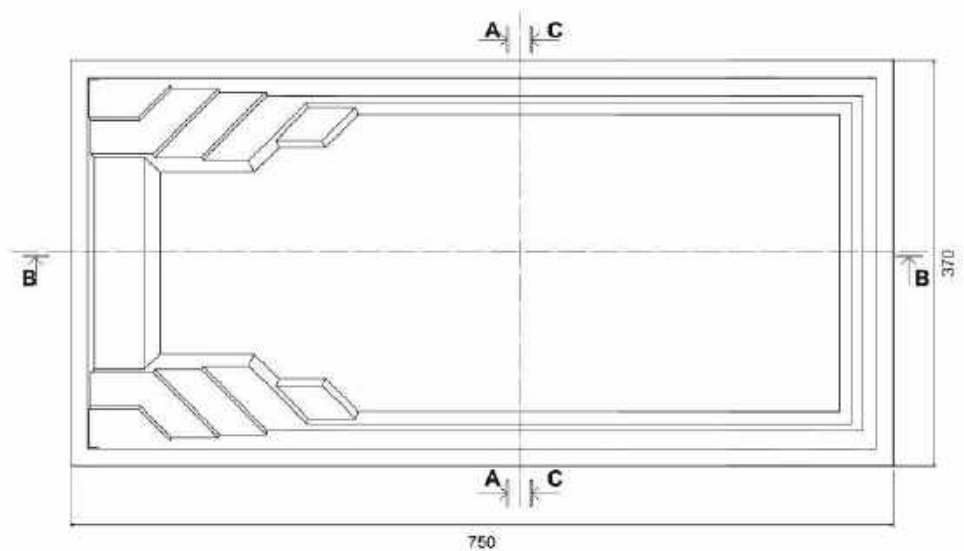
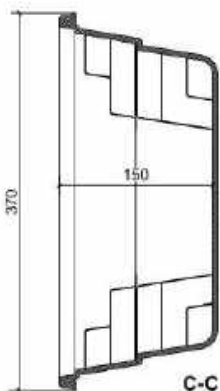
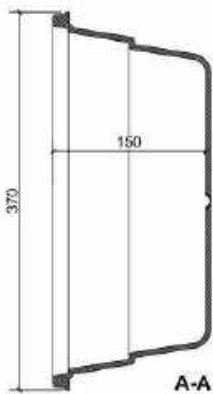


07 FIBERGLASS SWIMMING POOL MODEL "WANAKA 750"



Modern style rectangular pool model with two side 5 wide steps. This pool model can be supplied with slats cover system.

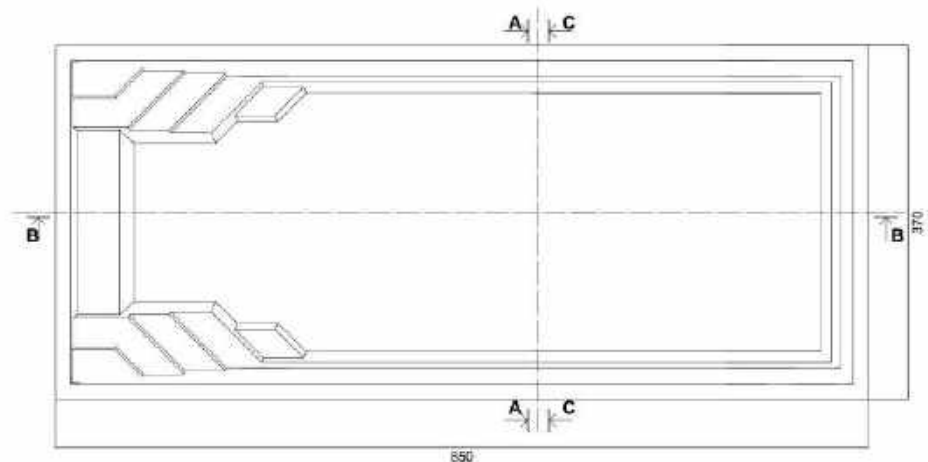
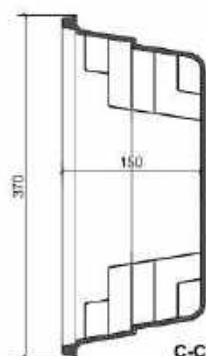
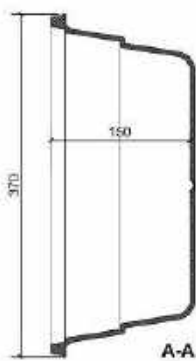
- Dimensions: 750 x 370 x 150 cm
- Weight: 820 kg



08 FIBERGLASS SWIMMING POOL MODEL "WANAKA 850"

Modern style rectangular pool model with two side 5 wide steps.
This pool model can be supplied with slats cover system.

- Dimensions: 850 x 370 x 150 cm
- Weight: 920 kg

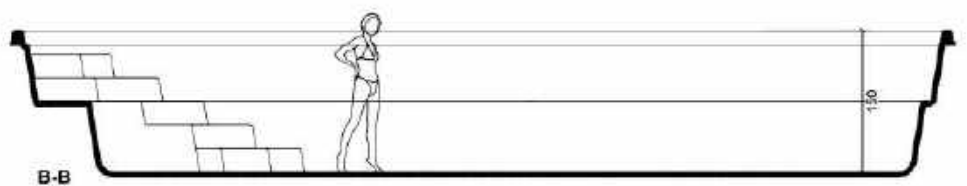
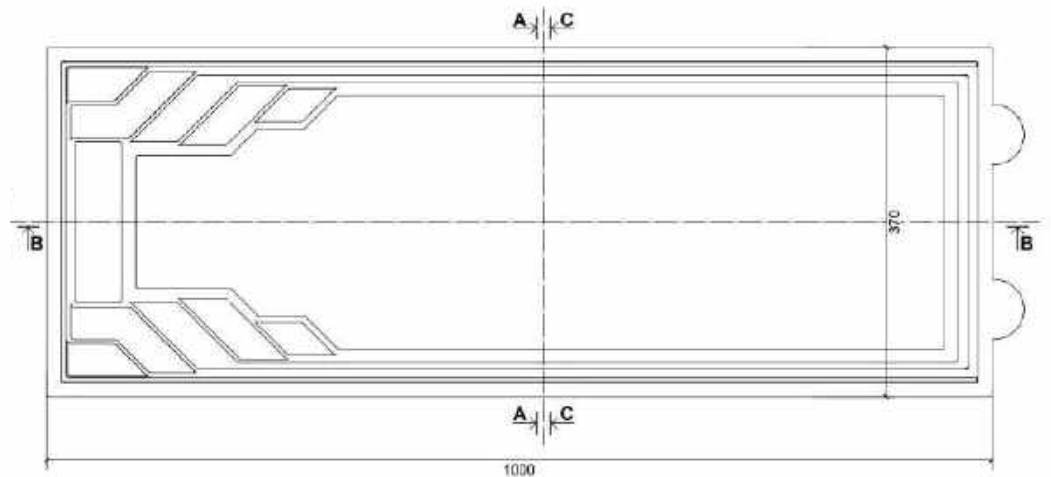
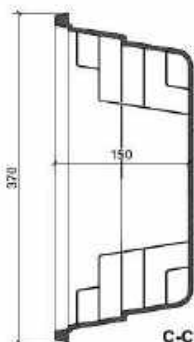
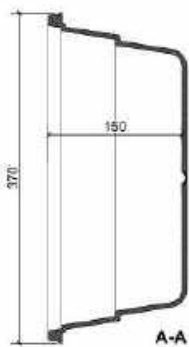


09 FIBERGLASS SWIMMING POOL MODEL "WANAKA 1000"



Modern style rectangular pool model with two side 5 wide steps. This pool model can be supplied with slats cover system.

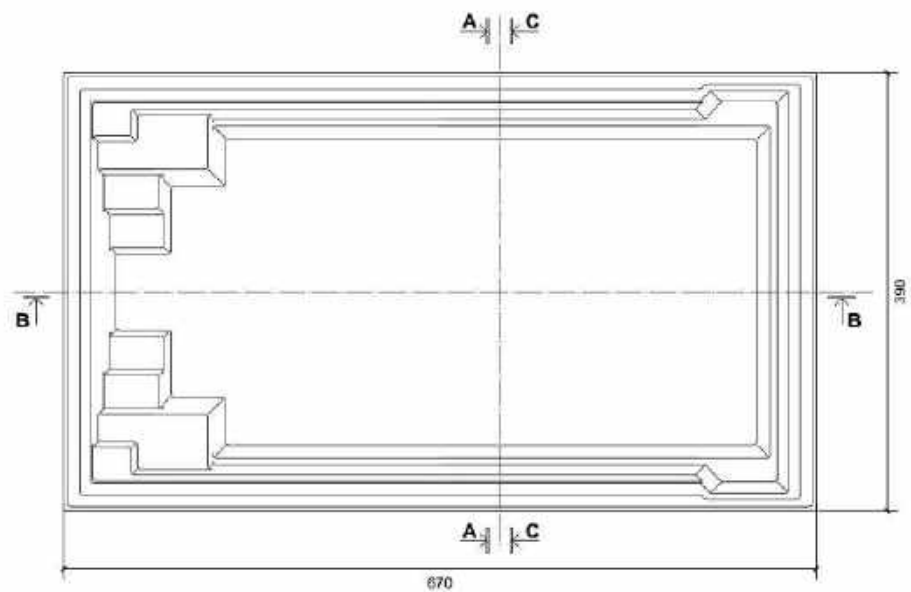
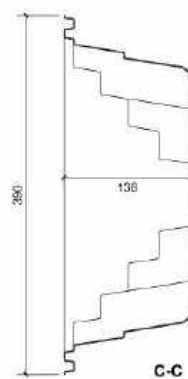
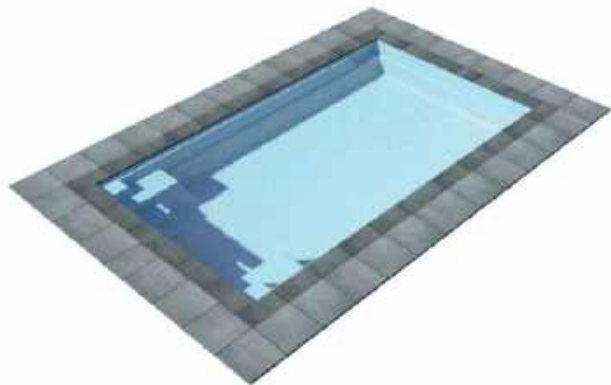
- Dimensions: 850 x 370 x 150 cm
- Weight: 920 kg



10 FIBERGLASS SWIMMING POOL MODEL "DOVE OVERFLOW 670"

Rectangular full overflow pool with mirror effect. Two sided stairs with relaxation area.

- Dimensions: 670 x 390 x 138 cm
- Weight: 750 kg

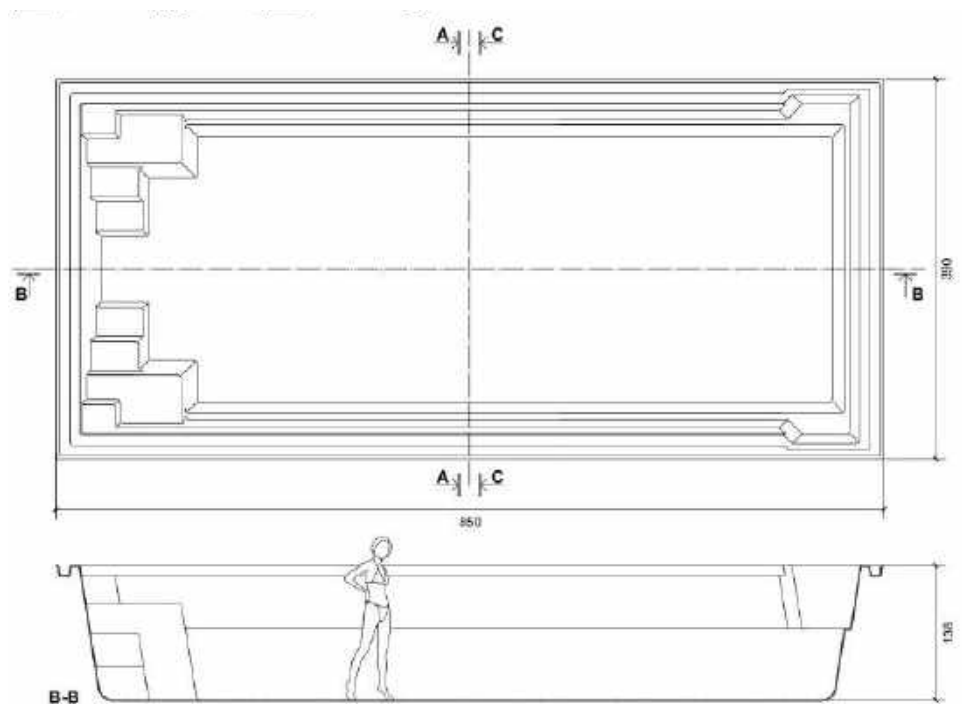
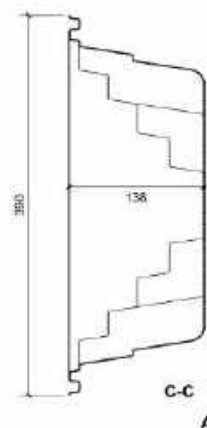
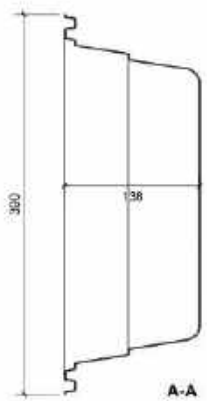
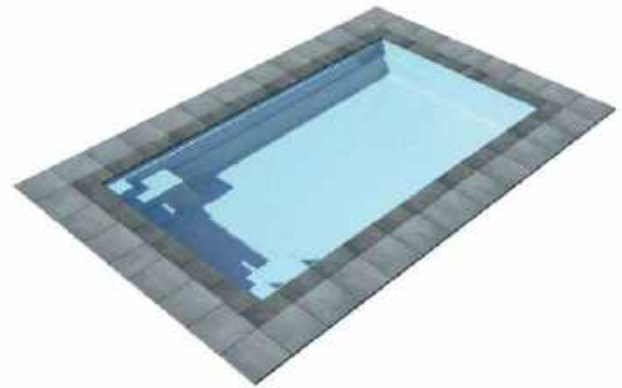


11 FIBERGLASS SWIMMING POOL MODEL "DOVE OVERFLOW 850"



Rectangular full overflow pool with mirror effect. Two sided stairs with relaxation area.

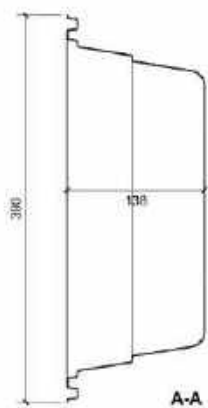
- Dimensions: 850 x 390 x 138 cm
- Weight: 950 kg



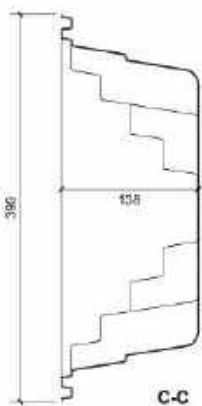
12 FIBERGLASS SWIMMING POOL MODEL "DOVE OVERFLOW 1020"

Rectangular full overflow pool with mirror effect. Two sided stairs with relaxation area.

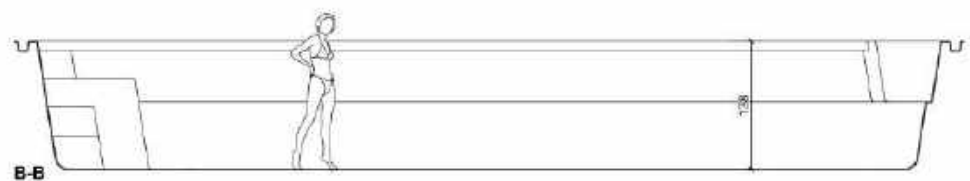
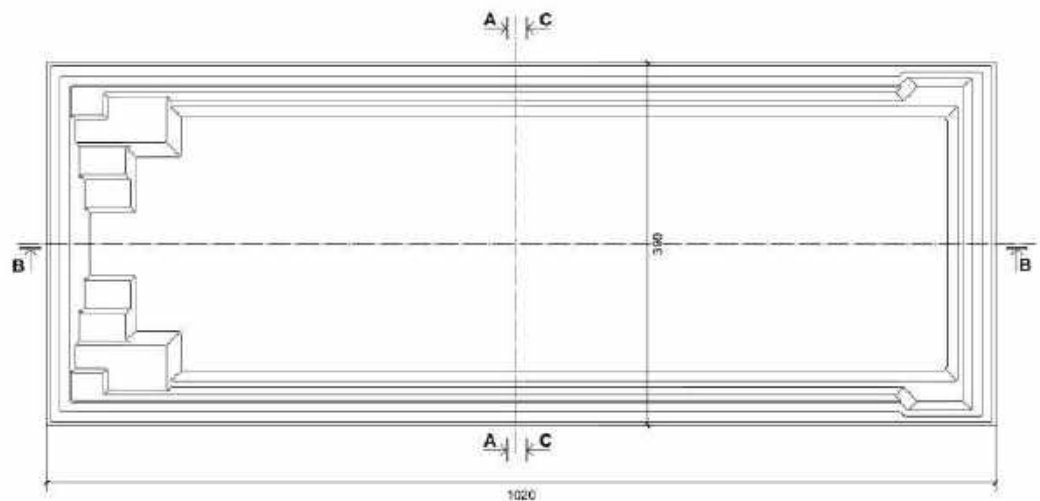
- Dimensions: 1020 x 390 x 138 cm
- Weight: 1100 kg



A-A



C-C



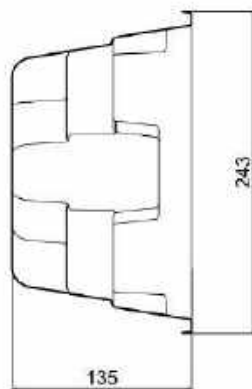
B-B

13 FIBERGLASS SWIMMING POOL MODEL "CITY POOL"

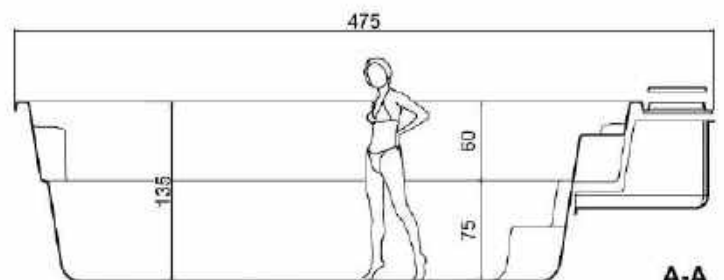
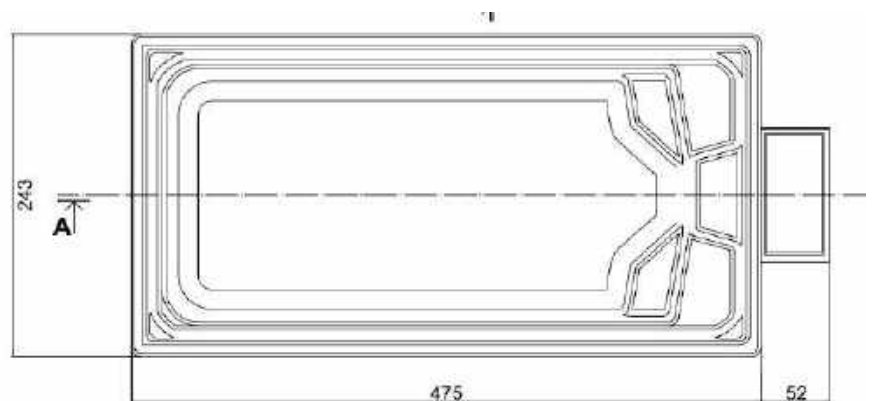


This model is ideal for transportation as it can fit inside a closed container, it can be swim spa or pool for limited spaces, the pool comes with a build-in box for mechanical equipment.

- Dimensions: 475 x 243 x 135 cm
- Weight: 400 kg



B-B



A-A

INSTALLATION

Before pool installation, please consult building specialist for pool installation in your territory. In specific cases, when soil is unstable or specific, when there is a downhill or other nonstandard situations, additional soil and pool reinforcements, indicated by building specialist, might be needed.

PLACE PREPARATION

- Before digging the hole, determine the future place of the pool in territory. Be sure, that there will be enough space to bring the pool into your territory. There has to be approach road wide enough, and possibility for crane to load the pool into a prepared place.
The width of the hole has to be 300 mm wider than width of the external walls of the pool. The depth of the hole has to match the requirements of the instructions of depth.
- Please estimate that underneath the bottom of the pool it is necessary to lay the drainage basis of crushed stone.
We recommend lining the walls and bottom of the pool with GEOTEXTILE - in that way the new soil will be separated from the old one.
- Perform the installation of the pool equipment: connect the water assembler, water filling details, projector and etc.
- Connect tubing and electric systems. If the pool is not covered with heat isolation material by factory, we recommend covering it personally; in that case water in the pool will be warmer.
- When all tubing elements are connected, it is possible to fill the pool with water.
- When filling the external part of the pool, the pool has to be filled with water in parallel!
- When filling the exterior with crushed stone, make sure that it will fill in all gaps underneath the pool bottom and stairs. We recommend easy thickening of soil by watering and/or using spade or shank. If the hole was made much bigger than indicated in this instruction, all external part has to be filled with crushed stone. Regular soil can be not enough stable for filling.



AQUA FIBERGLASS POOL GUARANTEE

The pools are provided with 10-year warranty, if the pools are installed according to requirements of given instruction:

1. The fiberglass pool has to be deepened into the ground for 135cm.
2. If the pool is not covered with polyurethane foam by factory, we recommend covering it with 30mm - thick sheets of polyurethane foam.
3. Exterior of the pool has to be filled with crushed stone, which layer has to be not thinner than 300mm from pool wall. Crushed stone 8-32mm.
4. The 5cm layer of fine gravel - crushed stone is required to even the surface.
5. Underneath the pool bottom there has to be 300mm dens pillow of crushed stone. Crushed stone 8 - 32mm.

When filling the external part of the pool, the pool has to be filled with water in parallel. During the filling procedure, the level of filled water has to be equal to the level of filled crushed stone; deviation - no more than 10cm. The filling of hole starts at the ends of the pool - to ensure the stability of pool in the hole. When filling the external part, watch the movement of the pool body at the widest point (to the outside or inside), possible deviation up to 5mm of home position. When loading the pool into the hole, avoid any deformation of the pool body!

During the filling of exterior part with crushed stone, it is necessary to reinforce the body of the pool across with spokes.

ATTENTION!

When groundwater is high, drainage is required under entire perimeter of the pool. If Client is not making a drainage system, contractor is not responsible for damage, caused by groundwater. During wintertime pool has to be left filled with water, with installed ice separation sheets in water. Guarantee is not valid, if defects appear because of:

- Inappropriate care
- Inappropriate exploitation
- If the pool was left empty during wintertime
- Was build and installed not following the instruction.

MAKING THE DRAINAGE:

When groundwater is high or it is possible it will get high (ex. if soil base is clay, groundwater appears because of heavy rain) it is necessary to make a drainage system around the pool base. Drainage system protects body of the pool from potential deformations, caused by water movement around it.

Groundwater has an impact on pools water temperature also. Never drain the pool, until you are sure there is no groundwater in the soil! We recommend making drainage system by surrounding the pool with the PVC drainage tube with Geotextile shell, and bringing it to PVC drainage manhole.

Before preparing any of drainage systems it is necessary to consult a specialist, as various soil features needs corresponding drainage system and tube diameter. If there is no natural drainage in the territory, it is necessary to make a drainage pump. The lowest part of drainage system has to be lower than the pool bottom.

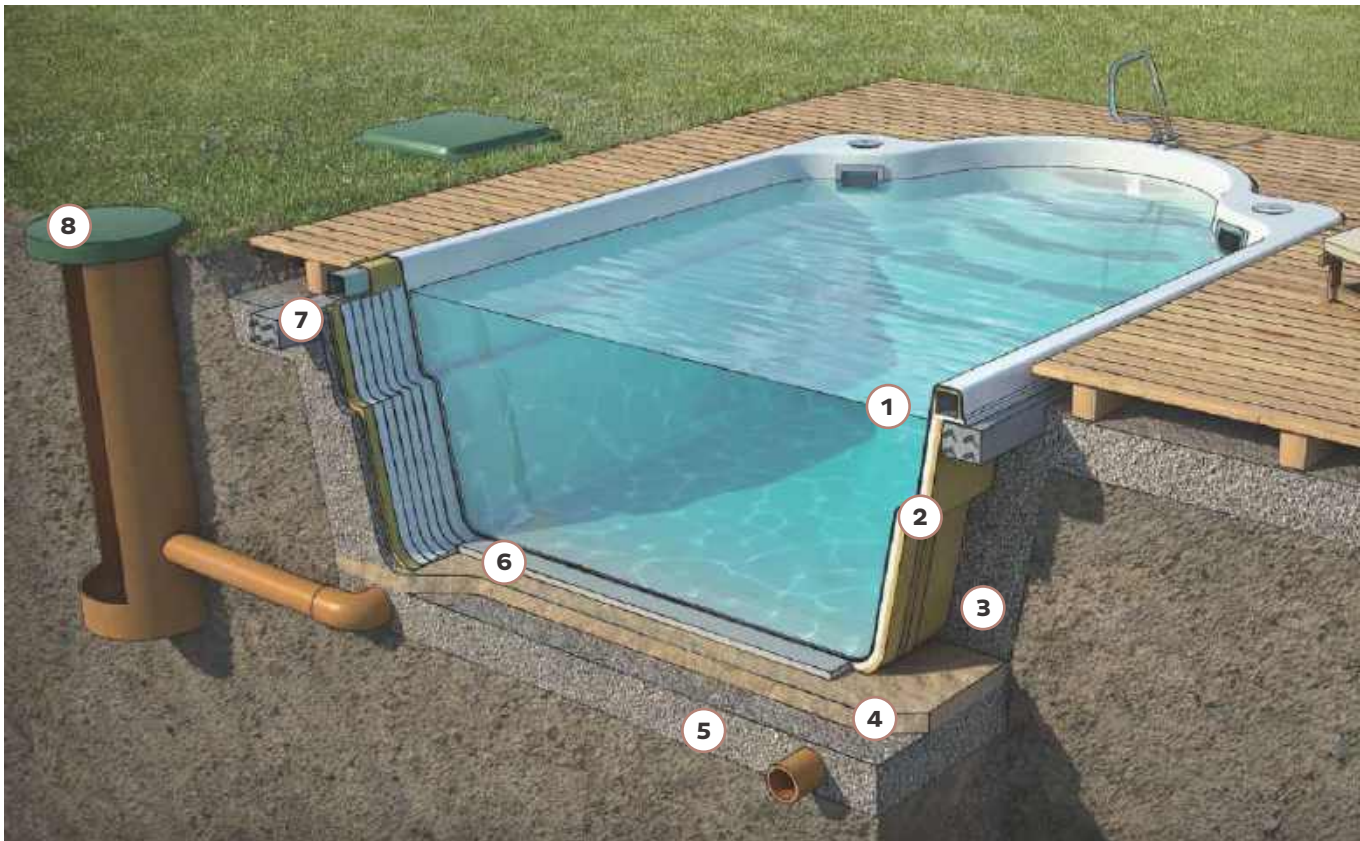
ATTENTION!

If the pool is drained for cleaning or any other maintenance, it has to be refilled with water right after operation is accomplished.

Do not leave empty pool for longer than 1 day.

The pool has to be filled with water in any season - even if it is not in use.





- 1 The fiberglass pool has to be deepened into the ground for 135cm.
- 2 If the pool is not covered with polyurethane foam by factory, we recommend covering it with 30mm - thick sheets of polyurethane foam.
- 3 Exterior of the pool has to be filled with crushed stone, which layer has to be not thinner than 300mm from pool wall. Crushed stone 8-32mm.
- 4 The 5cm layer of fine gravel - crushed stone is required to even the surface.
- 5 Underneath the pool bottom there has to be 300mm dens pillow of crushed stone. Crushed stone 8 - 32mm. When filling the external part of the pool, the pool has to be filled with water in parallel. During the filling procedure, the level of filled water
- 6 Honeycomb bottom
- 7 Concrete armed beam 30 x 30 cm
- 8 Drainage system

A tropical resort scene featuring a swimming pool with blue tiles and clear water. In the foreground, a large white patio umbrella stands on a wooden deck. The background shows lush green palm trees, a body of water, and a forested hill under a bright blue sky with scattered white clouds.

19 PVC FITTINGS

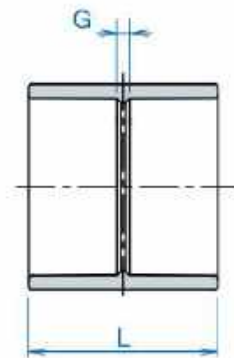
INDEX

01	COUPLING	646
02	ELBOW	648
03	TEE	651
04	REDUCING TEE	653
05	REDUCING BUSHING	655
06	ADAPTER	657
07	CAP	658
08	PLUG	659
09	UNION	660
10	FLANGE	662
11	GASKET	668
12	CPVC VALVE	670
13	CPVC PIPES	678

01 COUPLING

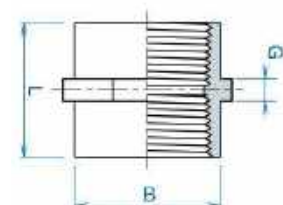
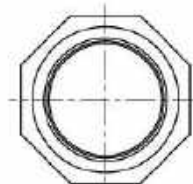
COUPLING S X S

CODE	DESCRIPTIONS	SIZE	DIMENSIONS		PACKING	WEIGHT
			L	G		
VS15	CPVC COUPLING	1/2"	50	5.6	1	0.030
VS20	CPVC COUPLING	3/4"	56	5.2	1	0.034
VS25	CPVC COUPLING	1"	63	5.8	1	0.065
VS32	CPVC COUPLING	1-1/4"	69	5.5	1	0.087
VS40	CPVC COUPLING	1-1/2"	75	5.1	1	0.120
VS50	CPVC COUPLING	2"	85	8.8	1	0.175
VS65	CPVC COUPLING	2-1/2"	96	7.1	1	0.278
VS80	CPVC COUPLING	3"	102	6.7	1	0.419
VS1H	CPVC COUPLING	4"	123	8.7	1	0.604
VS1Q	CPVC COUPLING	5"	144	8.0	1	1.067
VS1F	CPVC COUPLING	6"	165	10.0	1	1.639
VS2H	CPVC COUPLING	8"	216	10.0	1	3.333
VS2F	CPVC COUPLING	10"	295	15.0	1	6.688
VS3H	CPVC COUPLING	12"	330	20.0	1	9.967
VS3F	CPVC COUPLING	14"	480	19.4	1	16.240
VS4H	CPVC COUPLING	16"	538	28.0	1	24.190

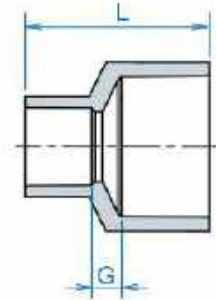


COUPLING (FT X FT)

CODE	DESCRIPTIONS	SIZE	DIMENSIONS			PACKING	WEIGHT
			L	G	B		
VS15T	CPVC COUPLING	1/2"	39.0	5.2	5.2	1	0.034
VS20T	CPVC COUPLING	3/4"	47.0	5.8	5.8	1	0.065
VS25T	CPVC COUPLING	1"	55.0	5.5	5.5	1	0.087
VS32T	CPVC COUPLING	1-1/4"	55.0	5.1	5.1	1	0.120
VS40T	CPVC COUPLING	1-1/2"	60.5	8.8	8.8	1	0.175
VS50T	CPVC COUPLING	2"	87.0	7.1	7.1	1	0.278
VS65T	CPVC COUPLING	2-1/2"	90.0	6.7	6.7	1	0.419
VS80T	CPVC COUPLING	3"	90.0	8.7	8.7	1	0.604
VS1HT	CPVC COUPLING	4"	96.0	8.0	8.0	1	1.067



COUPLING S X S

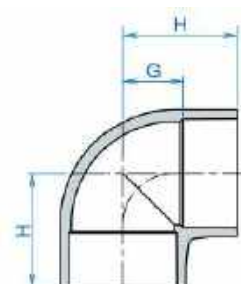


CODE	DESCRIPTIONS	SIZE	DIMENSIONS		PACKING	WEIGHT
			L	G		
VS201	REDUCING COUPLING	3/4" x 1/2"	53.5	5.9	1	0.035
VS252	REDUCING COUPLING	1" x 1/2"	60.0	9.2	1	0.053
VS251	REDUCING COUPLING	1" x 3/4"	60.0	6.0	1	0.052
VS323	REDUCING COUPLING	1-1/4" x 1/2"	68.0	14.0	1	0.076
VS322	REDUCING COUPLING	1-1/4" x 3/4"	68.0	10.9	1	0.074
VS321	REDUCING COUPLING	1-1/4" x 1"	68.0	7.7	1	0.076
VS404	REDUCING COUPLING	1-1/2" x 1/2"	75.0	17.9	1	0.108
VS403	REDUCING COUPLING	1-1/2" x 3/4"	75.0	14.7	1	0.110
VS402	REDUCING COUPLING	1-1/2" x 1"	75.0	11.5	1	0.115
VS401	REDUCING COUPLING	1-1/2" x 1/4"	75.0	8.0	1	0.108
VS505	REDUCING COUPLING	2" x 1/2"	83.0	8.3	1	0.153
VS504	REDUCING COUPLING	2" x 3/4"	83.0	22.7	1	0.140
VS503	REDUCING COUPLING	2" x 1"	83.0	19.5	1	0.135
VS502	REDUCING COUPLING	2" x 1/4"	83.0	16.3	1	0.146
VS501	REDUCING COUPLING	2-1/2" x 1/2"	93.0	13.2	1	0.180
VS652	REDUCING COUPLING	2-1/2" x 2"	93.0	10.0	1	0.224
VS651	REDUCING COUPLING	3" x 1"	106.0	29.8	1	0.242
VS805	REDUCING COUPLING	3" x 1-1/2"	106.0	23.4	1	0.346
VS803	REDUCING COUPLING	3" x 2"	106.0	20.3	1	0.360
VS801	REDUCING COUPLING	3" x 1-1/2"	106.0	13.9	1	0.394
VS1H3	REDUCING COUPLING	4" X 2"	125.0	29.8	1	0.607
VS1H2	REDUCING COUPLING	4" X 2-1/2"	125.0	23.4	1	0.584
VS1H1	REDUCING COUPLING	4" X 3"	125.0	20.2	1	0.652
VS1Q1	REDUCING COUPLING	5" X 4"	144.0	18.9	1	1.014
VS1F3	REDUCING COUPLING	6" X 3"	168.0	41.9	1	1.646
VS1F2	REDUCING COUPLING	6" X 4"	168.0	31.8	1	1.542
VS1F1	REDUCING COUPLING	6" X 5"	168.0	21.2	1	1.631
VS2H3	REDUCING COUPLING	8" X 4"	218.0	57.9	1	3.301
VS2H1	REDUCING COUPLING	8" X 6"	220.0	39.0	1	3.227
VS2F1	REDUCING COUPLING	10" X 8"	287.0	44.0	1	6.137
VS3H2	REDUCING COUPLING	12" X 8"	331.7	76.7	1	8.971
VS3H1	REDUCING COUPLING	12" X 10"	328.0	26.0	1	9.589
VS83F1	REDUCING COUPLING	14" X 12"	425.1	40.0	1	13.704
VS4H2	REDUCING COUPLING	16" X 12"	88.0	88.0	1	20.520
VS4H1	REDUCING COUPLING	16" X 14"	62.6	62.6	1	27.967

02 ELBOW

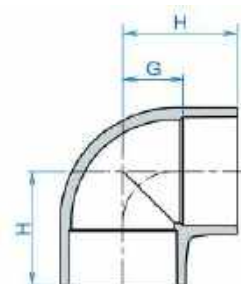
90° ELBOW S X S

CODE	DESCRIPTIONS	SIZE	DIMENSIONS		PACKING	WEIGHT
			G	H		
V9L15	CPVC 90DEGREE ELBOW	1/2"	15.3	37.5	1	0.040
V9L20	CPVC 90DEGREE ELBOW	3/4"	17.1	42.5	1	0.049
V9L25	CPVC 90DEGREE ELBOW	1"	21.4	50.0	1	0.100
V9L32	CPVC 90DEGREE ELBOW	1-1/4"	26.3	58.0	1	0.153
V9L40	CPVC 90DEGREE ELBOW	1-1/2"	30.1	65.0	1	0.202
V9L50	CPVC 90DEGREE ELBOW	2"	35.9	74.0	1	0.295
V9L65	CPVC 90DEGREE ELBOW	2-1/2"	44.6	89.0	1	0.506
V9L80	CPVC 90DEGREE ELBOW	3"	53.4	101.0	1	0.842
V9L1H	CPVC 90DEGREE ELBOW	4"	63.9	121.0	1	1.354
V9L1Q	CPVC 90DEGREE ELBOW	5"	77.5	150.0	1	2.385
V9L1F	CPVC 90DEGREE ELBOW	6"	93.2	173.0	1	3.853
V9L2H	CPVC 90DEGREE ELBOW	8"	120.1	225.0	1	7.788
V9L2F	CPVC 90DEGREE ELBOW	10"	150.0	290.0	1	13.642
V9L3H	CPVC 90DEGREE ELBOW	12"	172.1	327.1	1	20.417
V9L3F	CPVC 90DEGREE ELBOW	14"	197.0	426.6	1	28.292
V9L4H	CPVC 90DEGREE ELBOW	16"	235.4	492.0	1	44.020



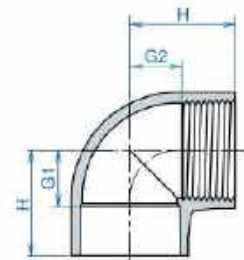
90° ELBOW (FT X FT)

CODE	DESCRIPTIONS	SIZE	DIMENSIONS		PACKING	WEIGHT
			G	H		
V9L15T	CPVC 90DEGREE ELBOW	1/2"	15.0	33.0	1	0.054
V9L20T	CPVC 90DEGREE ELBOW	3/4"	17.0	35.0	1	0.074
V9L25T	CPVC 90DEGREE ELBOW	1"	22.0	43.0	1	0.132
V9L32T	CPVC 90DEGREE ELBOW	1-1/4"	26.3	52.3	1	0.217
V9L40T	CPVC 90DEGREE ELBOW	1-1/2"	30.0	56.0	1	0.314
V9L50T	CPVC 90DEGREE ELBOW	2"	36.0	63.0	1	0.471
V9L65T	CPVC 90DEGREE ELBOW	2-1/2"	44.5	84.5	1	0.788
V9L80T	CPVC 90DEGREE ELBOW	3"	52.0	94.0	1	1.440
V9L1HT	CPVC 90DEGREE ELBOW	4"	63.5	108.0	1	2.363



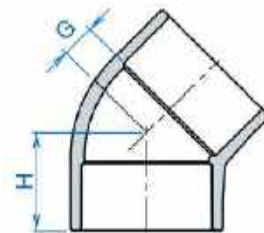
90° ELBOW S X FT

CODE	DESCRIPTIONS	SIZE	DIMENSIONS			PACKING	WEIGHT
			G1	G2	H		
V9L15A	CPVC 90DEGREE ELBOW	1/2"	15.3	19.5	37.5	1	0.040
V9L20A	CPVC 90DEGREE ELBOW	3/4"	17.1	24.5	42.5	1	0.049
V9L25A	CPVC 90DEGREE ELBOW	a1"	21.4	28.0	50.0	1	0.087
V9L32A	CPVC 90DEGREE ELBOW	1-1/4"	26.3	32.0	58.0	1	0.153
V9L40A	CPVC 90DEGREE ELBOW	1-1/2"	30.1	39.0	65.0	1	0.202
V9L50A	CPVC 90DEGREE ELBOW	2"	35.9	47.0	74.0	1	0.295
V9L65A	CPVC 90DEGREE ELBOW	2-1/2"	44.6	49.0	89.0	1	0.506
V9L80A	CPVC 90DEGREE ELBOW	3"	53.4	59.0	101.0	1	0.842
V9L1HA	CPVC 90DEGREE ELBOW	4"	63.9	76.6	121.0	1	1.354



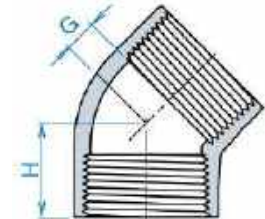
45° ELBOW S X S

CODE	DESCRIPTIONS	SIZE	DIMENSIONS		PACKING	WEIGHT
			G	H		
V4L15	CPVC 45DEGREE ELBOW	1/2"	7	29	1	0.033
V4L20	CPVC 45DEGREE ELBOW	3/4"	9	34	1	0.044
V4L25	CPVC 45DEGREE ELBOW	1"	8	37	1	0.070
V4L32	CPVC 45DEGREE ELBOW	1-1/4"	11	43	1	0.111
V4L40	CPVC 45DEGREE ELBOW	1-1/2"	12	47	1	0.142
V4L50	CPVC 45DEGREE ELBOW	2"	17	55	1	0.235
V4L65	CPVC 45DEGREE ELBOW	2-1/2"	20	64	1	0.392
V4L80	CPVC 45DEGREE ELBOW	3"	24	72	1	0.633
V4L1H	CPVC 45DEGREE ELBOW	4"	29	86	1	0.999
V4L1Q	CPVC 45DEGREE ELBOW	5"	36	106	1	1.741
V4L1F	CPVC 45DEGREE ELBOW	6"	41	120	1	2.816
V4L2H	CPVC 45DEGREE ELBOW	8"	50	155	1	5.376
V4L2F	CPVC 45DEGREE ELBOW	10"	60	207	1	9.960
V4L3H	CPVC 45DEGREE ELBOW	12"	81	235	1	16.61
V4L3F	CPVC 45DEGREE ELBOW	14"	101	329	1	23.18
V4L4H	CPVC 45DEGREE ELBOW	16"	107	360	1	32.54



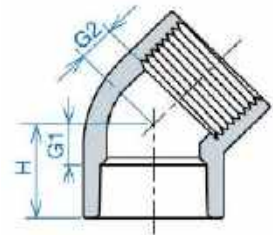
45° ELBOW FT X FT

CODE	DESCRIPTIONS	SIZE	DIMENSIONS		PACKING	WEIGHT
			G	H		
V4L15T	CPVC 45DEGREE ELBOW	1/2"	6.8	24.8	1	0.044
V4L20T	CPVC 45DEGREE ELBOW	3/4"	8.5	26.5	1	0.063
V4L25T	CPVC 45DEGREE ELBOW	1"	9.5	31.5	1	0.103
V4L32T	CPVC 45DEGREE ELBOW	1-1/4"	11.3	37.3	1	0.160
V4L40T	CPVC 45DEGREE ELBOW	1-1/2"	12.1	38.1	1	0.218
V4L50T	CPVC 45DEGREE ELBOW	2"	17.0	44.0	1	0.326
V4L65T	CPVC 45DEGREE ELBOW	2-1/2"	19.5	64.0	1	0.591
V4L80T	CPVC 45DEGREE ELBOW	3"	24.0	72.0	1	1.012
V4L1HT	CPVC 45DEGREE ELBOW	4"	28.5	86.0	1	1.640



45° ELBOW (S X FT)

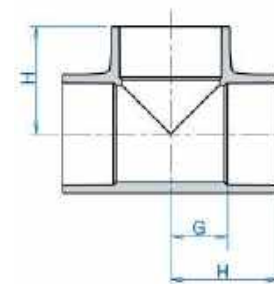
CODE	DESCRIPTIONS	SIZE	DIMENSIONS			PACKING	WEIGHT
			G1	G2	H		
V4L15TS	CPVC 45DEGREE ELBOW	1/2"	6.8	8.5	24.0	1	0.033
V4L20TS	CPVC 45DEGREE ELBOW	3/4"	8.6	4.4	34.0	1	0.044
V4L25TS	CPVC 45DEGREE ELBOW	1"	8.4	10.4	37.0	1	0.070
V4L32TS	CPVC 45DEGREE ELBOW	1-1/4"	11.3	15.7	43.0	1	0.111
V4L40TS	CPVC 45DEGREE ELBOW	1-1/2"	12.1	16.5	47.0	1	0.142
V4L50TS	CPVC 45DEGREE ELBOW	2"	16.4	21.1	55.0	1	0.207
V4L65TS	CPVC 45DEGREE ELBOW	2-1/2"	14.6	33.8	64.0	1	0.342
V4L80TS	CPVC 45DEGREE ELBOW	3"	24.4	38.5	72.0	1	0.633
V4L1HTS	CPVC 45DEGREE ELBOW	4"	28.9	50.5	86.0	1	0.444



03 TEE

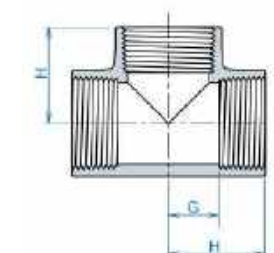
TEE S X S X S

CODE	DESCRIPTIONS	SIZE	DIMENSIONS		PACKING	WEIGHT
			G	H		
VT15	CPVC TEE	1/2"	15.3	37.5	1	0.055
VT20	CPVC TEE	3/4"	17.1	42.5	1	0.071
VT25	CPVC TEE	1"	21.4	50.0	1	0.115
VT32	CPVC TEE	1-1/4"	26.3	58.0	1	0.201
VT40	CPVC TEE	1-1/2"	30.1	65.0	1	0.257
VT50	CPVC TEE	2"	35.9	74.0	1	0.388
VT65	CPVC TEE	2-1/2"	44.6	89.0	1	0.676
VT80	CPVC TEE	3"	53.4	101.0	1	1.102
VT1H	CPVC TEE	4"	63.9	121.0	1	1.726
VT1Q	CPVC TEE	5"	79.5	147.5	1	2.930
VT1F	CPVC TEE	6"	94.6	173.0	1	4.721
VT2H	CPVC TEE	8"	122.0	225.0	1	9.802
VT2F	CPVC TEE	10"	150.0	290.0	1	16.646
VT3H	CPVC TEE	12"	181.8	330.0	1	25.830
VT3F	CPVC TEE	14"	197.8	426.6	1	38.860
VT4H	CPVC TEE	16"	236.2	492.0	1	58.690



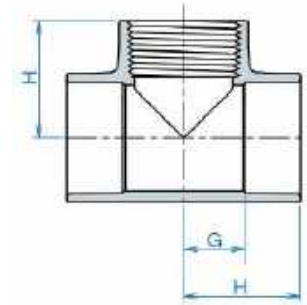
TEE FT X FT X FT

CODE	DESCRIPTIONS	SIZE	DIMENSIONS		PACKING	WEIGHT
			G	H		
VT15T	CPVC TEE	1/2"	16.7	33.0	1	0.072
VT20T	CPVC TEE	3/4"	18.5	35.0	1	0.099
VT25T	CPVC TEE	1"	22.4	43.0	1	0.164
VT32T	CPVC TEE	1-1/4"	30.7	52.3	1	0.272
VT40T	CPVC TEE	1-1/2"	34.4	56.0	1	0.365
VT50T	CPVC TEE	2"	40.1	63.0	1	0.553
VT65T	CPVC TEE	2-1/2"	58.8	89.0	1	0.946
VT80T	CPVC TEE	3"	68.0	101.0	1	1.614
VT1HT	CPVC TEE	4"	86.0	121.0	1	2.550



TEE S X S X FT

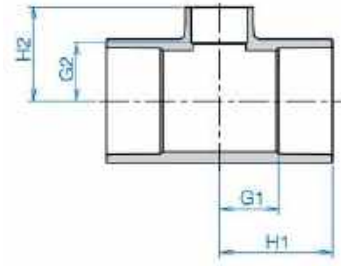
CODE	DESCRIPTIONS	SIZE	DIMENSIONS		PACKING	WEIGHT
			G	H		
VT15A	CPVC TEE	1/2"	15.3	37.5	1	0.055
VT20A	CPVC TEE	3/4"	17.1	42.5	1	0.071
VT25A	CPVC TEE	1"	21.4	50.0	1	0.115
VT32A	CPVC TEE	1-1/4"	26.3	58.0	1	0.201
VT40A	CPVC TEE	1-1/2"	30.1	65.0	1	0.257
VT50A	CPVC TEE	2"	35.9	74.0	1	0.388
VT65A	CPVC TEE	2-1/2"	44.6	89.0	1	0.676
VT80A	CPVC TEE	3"	53.4	101.0	1	1.102
VT1HA	CPVC TEE	4"	63.9	121.0	1	1.726



04 REDUCING TEE

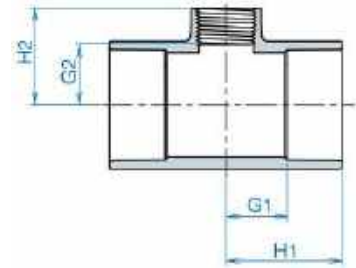


REDUCING TEE S X S



CODE	DESCRIPTIONS	SIZE	DIMENSIONS				PACKING	WEIGHT
			G1	G2	H1	H2		
VT201	CPVC REDUCING TEE	3/4 x 1/2"	17.1	17.5	42.5	40.0	1	0.067
VT252	CPVC REDUCING TEE	1" x 1/2"	21.4	21.5	50.0	44.0	1	0.107
VT251	CPVC REDUCING TEE	1" x 3/4	21.4	21.5	50.0	46.0	1	0.109
VT323	CPVC REDUCING TEE	1-1/4" x 1/2"	26.3	26.5	58.0	48.0	1	0.170
VT322	CPVC REDUCING TEE	1/4" X 3/4"	26.3	26.5	58.0	52.0	1	0.172
VT321	CPVC REDUCING TEE	1/4" X 1"	26.3	26.5	58.0	52.0	1	0.178
VT404	CPVC REDUCING TEE	1/2" X 1/2"	30.1	30.0	65.0	52.0	1	0.223
VT403	CPVC REDUCING TEE	1/2" X 3/4"	30.1	30.0	65.0	55.0	1	0.226
VT402	CPVC REDUCING TEE	1/2" X 1"	30.1	30.0	65.0	58.0	1	0.255
VT401	CPVC REDUCING TEE	1/2" X 1-1/4"	30.1	30.0	65.0	62.0	1	0.267
VT505	CPVC REDUCING TEE	2" X 1/2"	35.9	36.5	74.0	58.0	1	0.314
VT504	CPVC REDUCING TEE	2" X 3/4"	35.9	36.5	74.0	61.0	1	0.316
VT503	CPVC REDUCING TEE	2" X 1"	35.9	36.5	74.0	66.0	1	0.358
VT502	CPVC REDUCING TEE	2" X 1-1/4"	35.9	36.5	74.0	68.0	1	0.369
VT501	CPVC REDUCING TEE	2" X 1-1/2"	35.9	36.5	74.0	71.0	1	0.379
VT652	CPVC REDUCING TEE	2 -1/2" X 1-1/2"	44.6	44.0	89.0	77.0	1	0.596
VT651	CPVC REDUCING TEE	2 -1/2" X 2"	44.6	44.0	89.0	82.0	1	0.595
VT803	CPVC REDUCING TEE	3" X 1-1/2"	53.4	53.4	101.0	85.0	1	0.909
VT802	CPVC REDUCING TEE	3" X 2"	53.4	53.5	101.0	90.0	1	0.935
VT801	CPVC REDUCING TEE	3" X 2-1/2"	53.4	53.5	101.0	97.0	1	0.970
VT1H3	CPVC REDUCING TEE	4" X 2"	63.9	66.5	121.0	101.0	1	1.483
VT1H2	CPVC REDUCING TEE	4" X 2-1/2"	63.9	66.5	121.0	108.0	1	1.481
VT1H1	CPVC REDUCING TEE	4" X 3"	63.9	66.5	121.0	115.5	1	1.541
VT1Q1	CPVC REDUCING TEE	5" X 4"	79.5	81.0	147.5	136.0	1	2.790
VT1F3	CPVC REDUCING TEE	6" X 3"	94.8	96.0	173.0	143.0	1	4.240
VT1F2	CPVC REDUCING TEE	6" X 4"	94.8	96.0	173.0	152.0	1	4.320
VT1F1	CPVC REDUCING TEE	6" X 5"	94.6	96.0	173.0	165.0	1	4.510
VT2H4	CPVC REDUCING TEE	8" X 3"	122.0	123.5	225.0	172.0	1	8.420
VT2H3	CPVC REDUCING TEE	8" X 4"	122.0	123.5	225.0	180.0	1	8.550
VT2H1	CPVC REDUCING TEE	8" X 6"	122.0	123.5	225.0	202.6	1	8.915
VT2F4	CPVC REDUCING TEE	10" X 4"	150.0	153.5	290.0	210.0	1	14.285
VT2F1	CPVC REDUCING TEE	10" X 8"	150.0	153.5	290.0	261.0	1	15.440
VT3H5	CPVC REDUCING TEE	12" X 4"	175.0	181.5	330.0	240.5	1	21.940
VT3H2	CPVC REDUCING TEE	12" X 8"	175.0	181.5	330.0	286.0	1	22.550
VT3H1	CPVC REDUCING TEE	12" X 10"	175.0	181.5	330.0	331.2	1	24.475
VT3F1	CPVC REDUCING TEE	14" X 12"	198.0	197.0	426.6	359.5	1	38.530
VT4H2	CPVC REDUCING TEE	16" X 12"	238.0	225.0	492.6	418.4	1	53.100
VT4H1	CPVC REDUCING TEE	16" X 14"	238.0	225.5	492	492.0	1	56.110

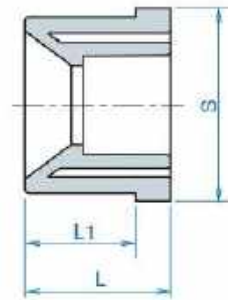
REDUCING TEE S X S X FT



CODE	DESCRIPTIONS	SIZE	DIMENSIONS				PACKING	WEIGHT
			G1	G2	H1	H2		
VB201A	CPVC REDUCING TEE	3/4" X 1/2"	17.10	17.78	42.5	40.0	1	0.067
VB252A	CPVC REDUCING TEE	1" X 1/2"	21.42	21.78	50.0	44.0	1	0.107
VB251A	CPVC REDUCING TEE	1" X 3/4"	21.42	20.60	50.0	46.0	1	0.109
VB323A	CPVC REDUCING TEE	1-1/4" X 1/2"	26.25	25.78	58.0	48.0	1	0.170
VB322A	CPVC REDUCING TEE	1-1/4" X 3/4"	26.25	26.60	58.0	52.0	1	0.172
VB321A	CPVC REDUCING TEE	1-1/4" X 1"	26.25	25.42	58.0	54.0	1	0.178
VB404A	CPVC REDUCING TEE	1-1/2" X 1/2"	30.07	29.78	65.0	52.0	1	0.223
VB403A	CPVC REDUCING TEE	1-1/2" X 3/4"	30.07	29.60	65.0	55.0	1	0.226
VB402A	CPVC REDUCING TEE	1-1/2" X 1"	30.07	29.42	65.0	58.0	1	0.231
VB401A	CPVC REDUCING TEE	1-1/2" X 1-1/4"	30.07	30.25	65.0	62.0	1	0.241
VB505A	CPVC REDUCING TEE	2" X 1/2"	35.90	35.78	74.0	58.0	1	0.314
VB504A	CPVC REDUCING TEE	2" X 3/4"	35.90	35.60	74.0	61.0	1	0.316
VB503A	CPVC REDUCING TEE	2" X 1"	35.90	37.42	74.0	66.0	1	0.326
VB502A	CPVC REDUCING TEE	2" X 1-1/4"	35.90	36.25	74.0	68.0	1	0.338
VB501A	CPVC REDUCING TEE	2" X 1-1/2"	35.90	42.07	74.0	71.0	1	0.349
VB652A	CPVC REDUCING TEE	2 1/2" X 1-1/2"	44.45	42.07	89.0	77.0	1	0.596
VB651A	CPVC REDUCING TEE	2 1/2" X 2"	44.45	43.90	89.0	82.0	1	0.617
VB803A	CPVC REDUCING TEE	3" X 1-1/2"	53.37	50.07	101.0	85.0	1	0.794
VB802A	CPVC REDUCING TEE	3" X 2"	53.37	51.90	101.0	90.0	1	0.819
VB801A	CPVC REDUCING TEE	3" X 2-1/2"	53.37	52.55	101.0	97.0	1	0.858
VB1H3A	CPVC REDUCING TEE	4" X 2"	63.85	62.90	121.0	101.0	1	1.483
VB1H2A	CPVC REDUCING TEE	4" X 2-1/2"	63.85	63.55	121.0	108.1	1	1.481
VB1H1A	CPVC REDUCING TEE	4" X 3"	63.85	64.37	121.0	112.0	1	1.541
VB1Q1A	CPVC REDUCING TEE	5" X 4"	79.50	78.85	147.5	136.0	1	2.216
VB1F3A	CPVC REDUCING TEE	6" X 3"	95.00	95.37	173.0	143.0	1	3.742
VB1F2A	CPVC REDUCING TEE	6" X 4"	95.00	94.85	173.0	152.0	1	3.717
VB2H4A	CPVC REDUCING TEE	8" X 3"	122.00	122.37	225.0	170.0	1	8.623
VB2H3A	CPVC REDUCING TEE	8" X 4"	122.00	122.85	225.0	180.0	1	8.780
VB2F4A	CPVC REDUCING TEE	10" X 4"	122.00	152.85	290.0	210.0	1	15.649
VB3H5A	CPVC REDUCING TEE	12" X 4"	175.00	183.00	330.0	240.5	1	24.09

05 REDUCING BUSHING

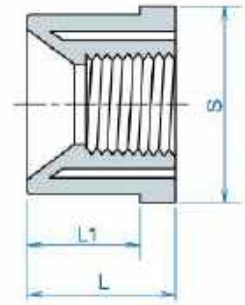
REDUCING TEE S X S



SEKISUI

CODE	DESCRIPTIONS	SIZE	DIMENSIONS			PACKING	WEIGHT
			L	L1	S		
VB201	CPVC BUSHING	3/4" X 1/2"	33	25	30	1	0.023
VB252	CPVC BUSHING	1" X 1/2"	36	29	38	1	0.030
VB251	CPVC BUSHING	1" X 3/4"	36	29	38	1	0.021
VB323	CPVC BUSHING	1-1/4" X 1/2"	41	32	47	1	0.057
VB322	CPVC BUSHING	1-1/4" X 3/4"	41	32	47	1	0.054
VB321	CPVC BUSHING	1-1/4" X 1"	41	32	47	1	0.040
VB404	CPVC BUSHING	1-1/2" X 1/2"	44	35	53	1	0.075
VB403	CPVC BUSHING	1-1/2" X 3/4"	44	35	53	1	0.076
VB402	CPVC BUSHING	1-1/2" X 1"	44	35	53	1	0.065
VB401	CPVC BUSHING	1-1/2" X 1-1/4"	44	35	53	1	0.038
VB505	CPVC BUSHING	2" X 1/2"	50	38	66	1	0.127
VB504	CPVC BUSHING	2" X 3/4"	50	38	66	1	0.127
VB503	CPVC BUSHING	2" X 1"	50	38	66	1	0.130
VB502	CPVC BUSHING	2" X 1-1/4"	50	38	66	1	0.115
VB501	CPVC BUSHING	2" X 1-1/2"	50	38	74	1	0.095
VB652	CPVC BUSHING	2-1/2" X 1-1/2"	55	44	78	1	0.179
VB651	CPVC BUSHING	2-1/2" X 2"	55	44	78	1	0.132
VB805	CPVC BUSHING	3" X 1"	58	48	94	1	0.273
VB803	CPVC BUSHING	3" X 1-1/2"	58	48	94	1	0.288
VB802	CPVC BUSHING	3" X 2"	58	48	94	1	0.274
VB801	CPVC BUSHING	3" X 2-1/2"	58	48	94	1	0.245
VB1H6	CPVC BUSHING	4" X 1"	70	57	120	1	0.603
VB1H5	CPVC BUSHING	4" X 1-1/4"	70	57	120	1	0.575
VB1H4	CPVC BUSHING	4" X 1-1/2"	70	57	120	1	0.542
VB1H3	CPVC BUSHING	4" X 2"	70	57	120	1	0.573
VB1H2	CPVC BUSHING	4" X 2-1/2"	70	57	120	1	0.520
VB1H1	CPVC BUSHING	4" X 3"	70	57	120	1	0.463
VB1Q1	CPVC BUSHING	5" X 4"	82	67	120	1	0.731
VB1F3	CPVC BUSHING	6" X 3"	92	78	175	1	1.254
VB1F2	CPVC BUSHING	6" X 4"	92	78	175	1	1.396
VB1F1	CPVC BUSHING	6" X 5"	92	78	175	1	0.953
VB2H3	CPVC BUSHING	8" X 4"	120	102	230	1	2.892
VB2H1	CPVC BUSHING	8" X 6"	120	102	230	1	2.746
VB2F2	CPVC BUSHING	10" X 6"	158	138	285	1	5.296
VB2F1	CPVC BUSHING	10" X 8"	158	138	285	1	5.113
VB3H3	CPVC BUSHING	12" X 6"	174	154	340	1	7.880
VB3H2	CPVC BUSHING	12" X 8"	174	154	340	1	7.974
VB3H1	CPVC BUSHING	12" X 10"	174	154	340	1	7.180

REDUCING BUSHING S X FT

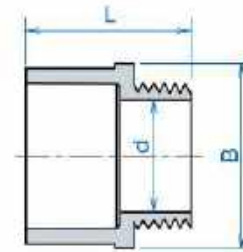


CODE	DESCRIPTIONS	SIZE	DIMENSIONS			PACKING	WEIGHT
			L	L1	S		
VB201T	CPVC REDUCING BUSHING	3/4" X 1/2"	33	25	30	1	0.021
VB252T	CPVC REDUCING BUSHING	1" X 1/2"	36	29	38	1	0.035
VB251T	CPVC REDUCING BUSHING	1" X 3/4"	36	29	38	1	0.027
VB323T	CPVC REDUCING BUSHING	1-1/4" X 1/2"	41	32	47	1	0.060
VB322T	CPVC REDUCING BUSHING	1-1/4" X 3/4"	41	32	47	1	0.056
VB321T	CPVC REDUCING BUSHING	1-1/4" X 1"	41	32	47	1	0.047
VB404T	CPVC REDUCING BUSHING	1-1/2" X 1/2"	44	35	53	1	0.080
VB403T	CPVC REDUCING BUSHING	1-1/2" X 3/4"	44	35	53	1	0.076
VB402T	CPVC REDUCING BUSHING	1-1/2" X 1"	44	35	53	1	0.076
VB401T	CPVC REDUCING BUSHING	1-1/2" X 1-1/4"	44	35	53	1	0.040
VB505T	CPVC REDUCING BUSHING	2" X 1/2"	50	38	66	1	0.136
VB504T	CPVC REDUCING BUSHING	2" X 3/4"	50	38	66	1	0.134
VB503T	CPVC REDUCING BUSHING	2" X 1"	50	38	66	1	0.140
VB502T	CPVC REDUCING BUSHING	2" X 1-1/4"	50	38	66	1	0.120
VB501T	CPVC REDUCING BUSHING	2" X 1-1/2"	50	38	74	1	0.106
VB652T	CPVC REDUCING BUSHING	2-1/2" X 1-1/2"	55	44	78	1	0.231
VB651T	CPVC REDUCING BUSHING	2-1/2" X 2"	55	44	78	1	0.140
VB805T	CPVC REDUCING BUSHING	3" X 1"	58	48	94	1	0.346
VB803T	CPVC REDUCING BUSHING	3" X 1-1/2"	58	48	94	1	0.342
VB802T	CPVC REDUCING BUSHING	3" X 2"	58	48	94	1	0.287
VB801T	CPVC REDUCING BUSHING	3" X 2-1/2"	58	48	94	1	0.224
VB1H6T	CPVC REDUCING BUSHING	4" X 1"	70	57	120	1	0.610
VB1H5T	CPVC REDUCING BUSHING	4" X 1-1/4"	70	57	120	1	0.690
VB1H4T	CPVC REDUCING BUSHING	4" X 1-1/2"	70	57	120	1	0.733
VB1H3T	CPVC REDUCING BUSHING	4" X 2"	70	57	120	1	0.550
VB1H2T	CPVC REDUCING BUSHING	4" X 2-1/2"	70	57	120	1	0.500
VB1H1T	CPVC REDUCING BUSHING	4" X 3"	70	57	120	1	0.436
VB1Q1T	CPVC REDUCING BUSHING	5" X 4"	82	67	150	1	0.746
VB1F3T	CPVC REDUCING BUSHING	6" X 3"	92	78	175	1	1.254
VB1F2T	CPVC REDUCING BUSHING	6" X 4"	92	78	175	1	1.171
VB2H3T	CPVC REDUCING BUSHING	8" X 4"	120	102	203	1	4.364

06 ADAPTER

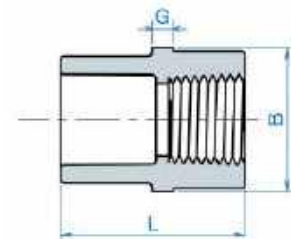


MALE ADAPTER MPT X S



CODE	DESCRIPTIONS	SIZE	DIMENSIONS			PACKING	WEIGHT
			L	D	B		
VMA15	CPVC MALE ADAPTER	1/2"	46	13	33	1	0.020
VMA20	CPVC MALE ADAPTER	3/4"	50	18	39	1	0.028
VMA25	CPVC MALE ADAPTER	1"	56	24	47	1	0.045
VMA32	CPVC MALE ADAPTER	1-1/4"	63	32	58	1	0.071
VMA40	CPVC MALE ADAPTER	1-1/2"	66	37	64	1	0.101
VMA50	CPVC MALE ADAPTER	2"	73	49	77	1	0.134
VMA65	CPVC MALE ADAPTER	2-1/2"	93	58	94	1	0.246
VMA80	CPVC MALE ADAPTER	3"	98	72	111	1	0.335
VMA1H	CPVC MALE ADAPTER	4"	112	96	139	1	0.570

FEMALE ADAPTER S X FT

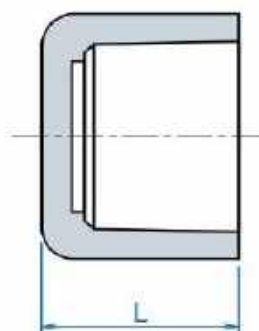


CODE	DESCRIPTIONS	SIZE	DIMENSIONS			PACKING	WEIGHT
			L	G	B		
VFA15	CPVC FEMALE ADAPTER	1/2"	44	5	33	1	0.029
VFA20	CPVC FEMALE ADAPTER	3/4"	47	5	38	1	0.035
VFA25	CPVC FEMALE ADAPTER	1"	54	6	46	1	0.042
VFA32	CPVC FEMALE ADAPTER	1-1/4"	60	6	56	1	0.113
VFA40	CPVC FEMALE ADAPTER	1-1/2"	65	7	64	1	0.110
VFA50	CPVC FEMALE ADAPTER	2"	70	10	77	1	0.183
VFA65	CPVC FEMALE ADAPTER	2-1/2"	92	10	91	1	0.318
VFA80	CPVC FEMALE ADAPTER	3"	96	12	107	1	0.357
VFA1H	CPVC FEMALE ADAPTER	4"	108	13	138	1	0.700

07 CAP

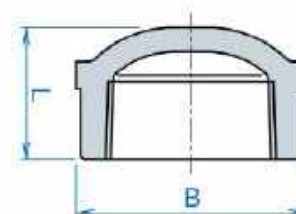
SOCKET CAP

CODE	DESCRIPTIONS	SIZE	DIMENSIONS		PACKING	WEIGHT
			L			
VC15	CPVC CAP	1/2"	30		1	0.018
VC20	CPVC CAP	3/4"	36		1	0.029
VC25	CPVC CAP	1"	41		1	0.047
VC32	CPVC CAP	1-1/4"	47		1	0.060
VC40	CPVC CAP	1-1/2"	52		1	0.115
VC50	CPVC CAP	2"	59		1	0.178
VC65	CPVC CAP	2-1/2"	67		1	0.266
VC80	CPVC CAP	3"	77		1	0.460
VC1H	CPVC CAP	4"	92		1	0.687
VC1Q	CPVC CAP	5"	107		1	0.980
VC1F	CPVC CAP	6"	124		1	1.296
VC2H	CPVC CAP	8"	165		1	3.070
VC2F	CPVC CAP	10"	191		1	5.310
VC3H	CPVC CAP	12"	215		1	8.155



THREADED CAP

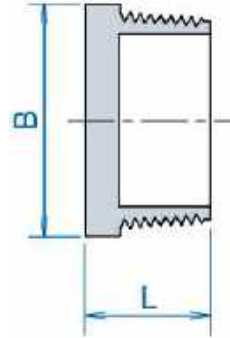
CODE	DESCRIPTIONS	SIZE	DIMENSIONS		PACKING	WEIGHT
			L	B		
VC15T	CPVC FEMALE ADAPTER	1/2"	28	32.5	1	0.022
VC20T	CPVC FEMALE ADAPTER	3/4"	31	38.1	1	0.032
VC25T	CPVC FEMALE ADAPTER	1"	37	46	1	0.050
VC32T	CPVC FEMALE ADAPTER	1-1/4"	41	56	1	0.080
VC40T	CPVC FEMALE ADAPTER	1-1/2"	42	63	1	0.120
VC50T	CPVC FEMALE ADAPTER	2"	46	77	1	0.163
VC65T	CPVC FEMALE ADAPTER	2-1/2"	65.5	91	1	0.281
VC80T	CPVC FEMALE ADAPTER	3"	73	107	1	0.471
VC1HT	CPVC FEMALE ADAPTER	4"	84.5	138	1	0.646



08 PLUG



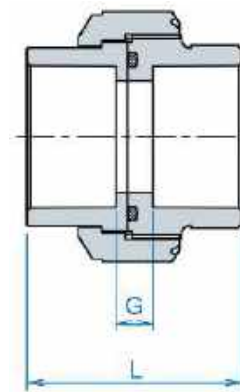
CAP AND PLUG MPT PLUG



CODE	DESCRIPTIONS	SIZE	DIMENSIONS		PACKING	WEIGHT
			L	B		
VPG15	CPVC PLUG WITH MALE THREAD	1/2"	24.5	24	1	0.009
VPG20	CPVC PLUG WITH MALE THREAD	3/4"	25	30	1	0.013
VPG25	CPVC PLUG WITH MALE THREAD	1"	28	38	1	0.028
VPG32	CPVC PLUG WITH MALE THREAD	1-1/4"	32.5	47	1	0.037
VPG40	CPVC PLUG WITH MALE THREAD	1-1/2"	33	53	1	0.049
VPG50	CPVC PLUG WITH MALE THREAD	2"	36.5	65	1	0.093
VPG65	CPVC PLUG WITH MALE THREAD	2-1/2"	50	79	1	0.140
VPG80	CPVC PLUG WITH MALE THREAD	3"	52	95	1	0.211
VPG1H	CPVC PLUG WITH MALE THREAD	4"	54.5	120	1	0.379

09 UNION

UNION (O-RING SEAT) S X S


SEKISUI


CODE	DESCRIPTIONS	SIZE	DIMENSIONS		PACKING	WEIGHT
			L	G		
USG15U	UNION / TS SOCKET /EPDM	1/2"	52	6.5	1	0.050
USG20U	UNION / TS SOCKET /EPDM	3/4"	59	7.5	1	0.080
USG25U	UNION / TS SOCKET /EPDM	1"	67	8.0	1	0.140
USG32U	UNION / TS SOCKET /EPDM	1-1/4"	76	12.5	1	0.217
USG40U	UNION / TS SOCKET /EPDM	1-1/2"	82	10.5	1	0.295
USG50U	UNION / TS SOCKET /EPDM	2"	92	14.0	1	0.475
USG65U	UNION / TS SOCKET /EPDM	2-1/2"	108	19.0	1	0.775
USG80U	UNION / TS SOCKET /EPDM	3"	120	25.0	1	1.180
USG1HU	UNION / TS SOCKET /EPDM	4"	152	37.0	1	2.050

UNION (ORING SEAT) FT X FT

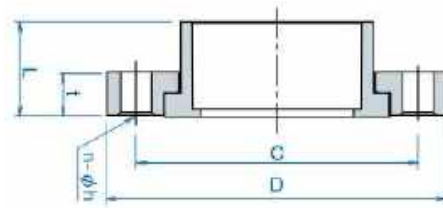
SEKISUI



CODE	DESCRIPTIONS	SIZE	DIMENSIONS		PACKING	WEIGHT
			L	B		
USG15N	UNION / FT X FT/EPDM	1/2"	52	7.6	1	0.050
USG20N	UNION / FT X FT/EPDM	3/4"	59	8.2	1	0.079
USG25N	UNION / FT X FT/EPDM	1"	67	7.2	1	0.143
USG32N	UNION / FT X FT/EPDM	1-1/4"	76	9.2	1	0.223
USG40N	UNION / FT X FT/EPDM	1-1/2"	82	8.5	1	0.294
USG50N	UNION / FT X FT/EPDM	2"	92	12.0	1	0.468
USG65N	UNION / FT X FT/EPDM	2-1/2"	108	19.1	1	0.719
USG80N	UNION / FT X FT/EPDM	3"	120	24.7	1	1.159
USG1HN	UNION / FT X FT/EPDM	4"	152	37.0	1	2.031

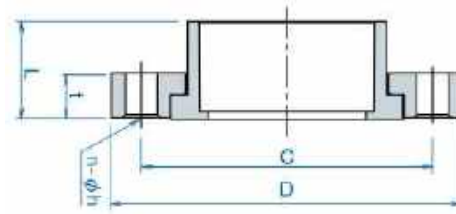
10 FLANGE

ONE PIECE FLANGE FLANGE (ANSI) SOCKET (ASTM)



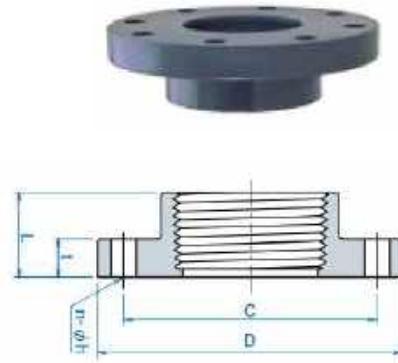
CODE	DESCRIPTIONS	SIZE	DIMENSIONS						PACKING	WEIGHT
			L	T	C	D	n	h		
VF15	FLANGE WITH SOCKET	1/2"	25	11.5	60.5	89	4	15.7	1	0.150
VF20	FLANGE WITH SOCKET	3/4"	29.5	13	70	98.8	4	15.7	1	0.152
VF25	FLANGE WITH SOCKET	1"	32	14.5	79.5	108.3	4	15.7	1	0.207
VF32	FLANGE WITH SOCKET	1-1/4"	38.5	17.6	89	118.8	4	15.7	1	0.276
VF40	FLANGE WITH SOCKET	1-1/2"	40.5	19	98.5	127.5	4	15.7	1	0.360
VF50	FLANGE WITH SOCKET	2"	46.6	19.5	120.5	152	4	19.1	1	0.512
VF65	FLANGE WITH SOCKET	2-1/2"	51	22.5	139.5	177	4	19.1	1	0.799
VF80	FLANGE WITH SOCKET	3"	55	27.1	152.5	192.8	4	19.1	1	0.983
VF1H	FLANGE WITH SOCKET	4"	64	29.3	190.5	229.7	8	19.1	1	1.497
VF1Q	FLANGE WITH SOCKET	5"	82	28	216	254	8	22.4	1	1.841
VF1F	FLANGE WITH SOCKET	6"	84.5	25.5	241.5	279	8	22.4	1	1.944
VF2H	FLANGE WITH SOCKET	8"	116	29	298.5	343	8	22.4	1	3.798

ONE PIECE FLANGE FLANGE (JIS) SOCKET (ASTM)

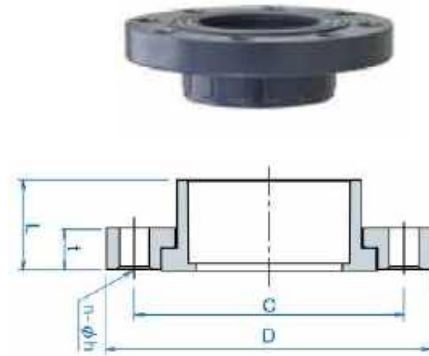
CODE	DESCRIPTIONS	SIZE	DIMENSIONS						PACKING	WEIGHT
			L	T	C	D	n	h		
VF50J	FLANGE WITH SOCKET	2"	45	20	120	155	4	19	1	0.528
VF65J	FLANGE WITH SOCKET	2-1/2"	51	22	140	175	4	19	1	0.720
VF80J	FLANGE WITH SOCKET	3"	55	22	150	185	4	19	1	0.752
VF1HJ	FLANGE WITH SOCKET	4"	64	22	175	210	8	19	1	0.984
VF1QJ	FLANGE WITH SOCKET	5"	82	24	210	250	8	23	1	1.508
VF1FJ	FLANGE WITH SOCKET	6"	84.5	25.5	240	280	8	23	1	1.956
VF2HJ	FLANGE WITH SOCKET	8"	116	28	290	330	12	23	1	3.358

ONE PIECE FLANGE FLANGE (ANSI) THREADED



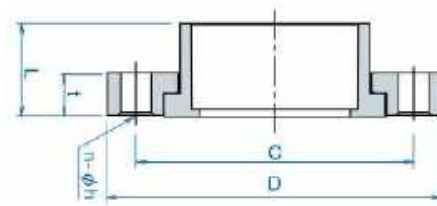
CODE	DESCRIPTIONS	SIZE	DIMENSIONS						PACKING	WEIGHT
			L	t	C	D	n	h		
VF15T	FLANGE -FEMALE THREADED	1/2"	25	11.5	60.5	89	4	16	1	0.105
VF20T	FLANGE -FEMALE THREADED	3/4"	29.5	13	70	98.8	4	16	1	0.134
VF25T	FLANGE -FEMALE THREADED	1"	32	14.5	79.5	108.3	4	16	1	0.212
VF32T	FLANGE -FEMALE THREADED	1-1/4"	38.5	18.3	89	118.5	4	16	1	0.268
VF40T	FLANGE -FEMALE THREADED	1-1/2"	40.5	17.5	98.5	127.5	4	16	1	0.346
VF50T	FLANGE -FEMALE THREADED	2"	45	19.5	120.5	152	4	19	1	0.512
VF65T	FLANGE -FEMALE THREADED	2-1/2"	51	22.5	139.5	177	4	19	1	0.799
VF80T	FLANGE -FEMALE THREADED	3"	55	24	152.5	191	4	20	1	0.983
VF1HT	FLANGE -FEMALE THREADED	4"	64	24	190.5	229.7	8	19	1	1.497

VAN STONE FLANGE FLANGE (ANSI) SOCKET (ASTM)

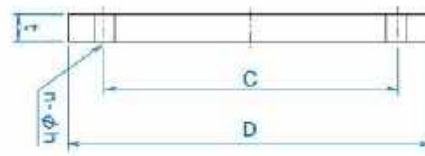
CODE	DESCRIPTIONS	SIZE	DIMENSIONS						PACKING	WEIGHT
			L	t	C	D	n	h		
WF15	VAN STONE FLANGE ANSI/ASTM	1/2"	25	11.2	60.5	88.9	4	15.9	1	0.100
WF20	VAN STONE FLANGE ANSI/ASTM	3/4"	29.5	12.7	70	98.6	4	15.9	1	0.160
WF25	VAN STONE FLANGE ANSI/ASTM	1"	32	14.5	79.5	108	4	15.9	1	0.180
WF32	VAN STONE FLANGE ANSI/ASTM	1-1/4"	38.5	15.7	89	117.4	4	15.9	1	0.240
WF40	VAN STONE FLANGE ANSI/ASTM	1-1/2"	40.5	17.5	98.5	127	4	15.9	1	0.290
WF50	VAN STONE FLANGE ANSI/ASTM	2"	43	20	120.5	152	4	19.1	1	0.429
WF65	VAN STONE FLANGE ANSI/ASTM	2-1/2"	51	24.5	139.5	178	4	19.1	1	0.655
WF80	VAN STONE FLANGE ANSI/ASTM	3"	55	27	152.5	191	4	19.1	1	0.807
WF1H	VAN STONE FLANGE ANSI/ASTM	4"	64	28	190.5	229	8	19.1	1	1.173
WF1Q	VAN STONE FLANGE ANSI/ASTM	5"	82	28	216	254	8	22.4	1	1.565
WF1F	VAN STONE FLANGE ANSI/ASTM	6"	85	32	241.5	283.2	8	22.4	1	2.002
WF2H	VAN STONE FLANGE ANSI/ASTM	8"	120.5	36	298.5	343	8	22.4	1	3.157
WF2F	VAN STONE FLANGE ANSI/ASTM	10"	150	42	362	406	12	25.4	1	5.415
WF3H	VAN STONE FLANGE ANSI/ASTM	12"	190	42	432	483	12	25.4	1	9.680
WF3F	VAN STONE FLANGE ANSI/ASTM	14"	203	51	476	533	12	28.4	1	12.329
WF4H	VAN STONE FLANGE ANSI/ASTM	16"	225	60	540	597	16	28.4	1	17.460
WF4F	VAN STONE FLANGE ANSI/ASTM	18"	248	60	578	635	16	31.8	1	21.599

VAN STONE FLANGE FLANGE (ANSI) SOCKET (ASTM)



CODE	DESCRIPTIONS	SIZE	DIMENSIONS						PACKING	WEIGHT
			L	t	C	D	n	h		
WVF50J	VAN STONE FLANGE	2"	43	20	120	153	4	20	1	0.446
WVF65J	VAN STONE FLANGE	2-1/2"	51	24.5	140	178.3	4	20	1	0.683
WVF80J	VAN STONE FLANGE	3"	55	27	150	185	8	19	1	0.840
WVF1HJ	VAN STONE FLANGE	4"	64	28	175	210	8	19	1	0.990
WVF1QJ	VAN STONE FLANGE	5"	82	28	210	250	8	23	1	1.480
WVF1FJ	VAN STONE FLANGE	6"	85	32	240	283.4	8	23	1	2.124
WVF2HJ	VAN STONE FLANGE	8"	120.5	36	290	330	12	23	1	3.927
WVF2FJ	VAN STONE FLANGE	10"	150.0	42	355	400	12	25	1	5.686

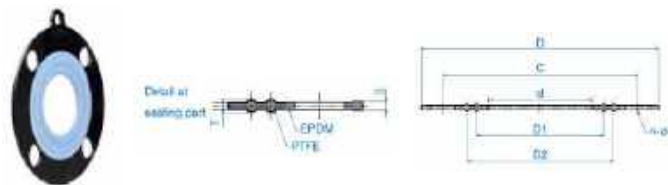
BLIND FLANGE FLANGE (ANSI)



CODE	DESCRIPTIONS	SIZE	DIMENSIONS					PACKING	WEIGHT
			t	C	D	n	h		
VBF15	BLIND FLANGE	1/2"	12	60.5	89	4	16	1	0.117
VBF20	BLIND FLANGE	3/4"	13	70	98	4	16	1	0.160
VBF25	BLIND FLANGE	1"	15	79.5	108	4	16	1	0.190
VBF32	BLIND FLANGE	1-1/4"	16	89	117	4	16	1	0.238
VBF40	BLIND FLANGE	1-1/2"	18	98.5	127	4	16	1	0.329
VBF50	BLIND FLANGE	2"	18	120.5	152	4	19	1	0.518
VBF65	BLIND FLANGE	2-1/2"	22	139.5	178	4	19	1	0.843
VBF80	BLIND FLANGE	3"	24	152.5	191	4	19	1	1.006
VBF1H	BLIND FLANGE	4"	24	190.5	229	8	19	1	1.627
VBF1Q	BLIND FLANGE	5"	26	216	254	8	22	1	1.950
VBF1F	BLIND FLANGE	6"	26	241.5	283	8	22	1	2.489
VBF2H	BLIND FLANGE	8"	28	298.5	343	8	22	1	3.809
VBF2F	BLIND FLANGE	10"	28	362	406	12	25	1	
VBF3H	BLIND FLANGE	12"	28	432	483	12	25	1	
VBF3F	BLIND FLANGE	14"	28	476	535	12	29	1	
VBF4H	BLIND FLANGE	16"	45	540	595	16	29	1	

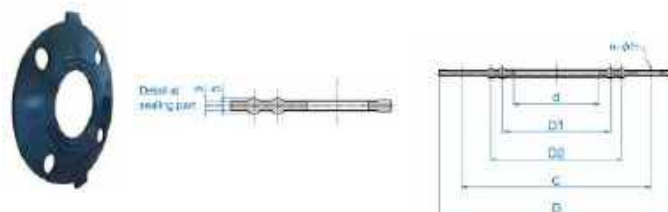
11 GASKET

ESLON PTFE GASKET ANSI B 16.5



CODE	DESCRIPTIONS	SIZE	DIMENSIONS							PACKING	WEIGHT
			d	D1	D2	C	D	n-h	T		
PTGAS01	BLIND FLANGE	1/2"	18	30	-	60.5	85	4-16	5	1	0.022
PTGAS02	BLIND FLANGE	3/4"	22	32	44	70	95	4-16	5	1	0.029
PTGAS03	BLIND FLANGE	1"	29	38	50	79.5	103	4-16	5	1	0.034
PTGAS04	BLIND FLANGE	1-1/4"	39	47	59	89	111	4-16	5	1	0.039
PTGAS05	BLIND FLANGE	1-1/2"	44	53	68	98.5	121	4-16	5	1	0.044
PTGAS06	BLIND FLANGE	2"	55	65	83	120.5	146	4-19	5	1	0.065
PTGAS07	BLIND FLANGE	2-1/2"	70	81	101	139.5	173	4-19	5	1	0.084
PTGAS08	BLIND FLANGE	3"	81	94	112	152.5	186	4-19	5	1	0.098
PTGAS09	BLIND FLANGE	4"	103	124	148	190.5	223	8-19	5	1	0.137
PTGAS10	BLIND FLANGE	5"	128	150	174	216	249	8-22	5	1	0.153
PTGAS11	BLIND FLANGE	6"	152	172	196	241.5	274	8-22	5	1	0.182
PTGAS12	BLIND FLANGE	8"	200	222	246	298.5	337	8-22	5	1	0.258
PTGAS13	BLIND FLANGE	10"	251	276	300	362	401	12-25	5	1	0.348
PTGAS14	BLIND FLANGE	12"	302	335	365	432	477	12-25	5	1	0.484

ESLON EPDM GASKET ANSI B16.5



CODE	DESCRIPTIONS	SIZE	DIMENSIONS							PACKING	WEIGHT
			d	D1	D2	C	D	n-h	T		
EDGAS01	GASKET ANSI B16.5	1/2"	18	25	38	60.5	85	4-16	1	0.017	
EDGAS02	GASKET ANSI B16.5	3/4"	23	33	48	70	97	4-16	1	0.021	
EDGAS03	GASKET ANSI B16.5	1"	30	38	53	79.5	107	4-16	1	0.025	
EDGAS04	GASKET ANSI B16.5	1-1/4"	38	51	66	89	114	4-16	1	0.029	
EDGAS05	GASKET ANSI B16.5	1-1/2"	43	53	69	98.5	124	4-16	1	0.034	
EDGAS06	GASKET ANSI B16.5	2"	53	69	84	120.5	150	4-19	1	0.049	
EDGAS07	GASKET ANSI B16.5	2-1/2"	69	86	102	139.5	175	4-19	1	0.066	
EDGAS08	GASKET ANSI B16.5	3"	81	99	112	152.5	188	4-19	1	0.074	
EDGAS09	GASKET ANSI B16.5	4"	102	119	137	190.5	226	8-19	1	0.101	
EDGAS10	GASKET ANSI B16.5	5"	127	145	165	216	251	8-22	1	0.117	
EDGAS11	GASKET ANSI B16.5	6"	149	168	191	241.5	277	8-22	1	0.134	
EDGAS12	GASKET ANSI B16.5	8"	198	216	246	298.5	340	8-22	1	0.192	
EDGAS13	GASKET ANSI B16.5	10"	249	269	307	362	404	12-25	1	0.146	
EDGAS14	GASKET ANSI B16.5	12"	300	325	353	432	480	12-25	1	0.356	

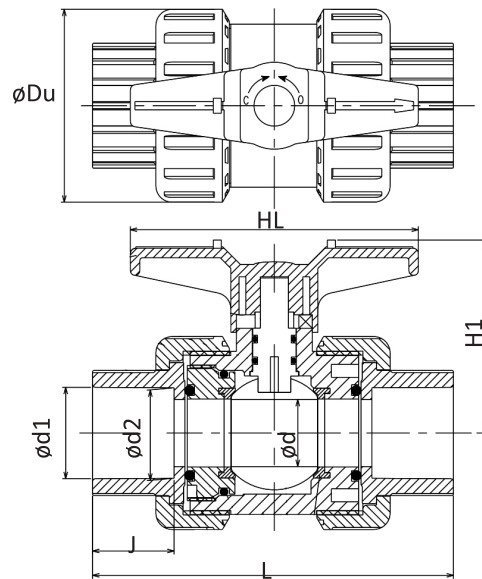
PROPERTIES OF CPVC FITTINGS

GENERAL	TEST METHOD	SI UNIT	
		UNIT	CPVC
GENERAL			
Cell Classification	ASTM D1784	-	23447
Maximum Usable Temp.	-	C	93
Specific Gravity @ 73°F(23°C)	ASTM D792	g/cc	1.55+0.02
Water Absorption % increase 24 hrs@ 73°F(23°C)	ASTM D570	%	0.04
Hardness, Rockwell	ASTM D785	-	115-125
Poisson's Ratio @ 73°F(23°C)	ASTM D638	-	0.36
MECHANICAL			
Tensile Strength @ 73°F(23°C)	ASTM D638	Mpa	51.0
Tensile Strength @194 °F(90°C)	"	Mpa	20.7
Tensile Modulus of Elasticity @ 73°F(23°C)	"	GPa	2.62
Tensile Modulus of Elasticity @ 194°F(90°C)	"	Gpa	1.38
Flexural Strength @ 73°F(23°C)	ASTM D790	Mpa	82.7
Flexural Modulus of Elasticity @ 73°F(23°C)	"	Gpa	2.76
Compressive Strength @ 73°F(23°C) ε =10%	ASTM D695	Mpa	103.4
Compressive Modulus of Elasticity @ 73°F(23°C)	"	Gpa	1.10
Izod Impact, notched @ 73°F(23°C)	ASTM D256	J/m	162
THERMAL			
Coefficient of Linear Expansion	ASTM D696	m/m/c	7.0-8.0x10
Coefficient of Thermal Conductivity	ASTM C177	Watt /m/k	0.13
Heat Deflection Temperature Under Load (264psi, annealed)	ASTM D648	c	102
Specific Heat	ASTM D2766	J/K/g	1.1
ELECTRICAL			
Volume Resistivity	ASTM D257	ohm/cm	>1.0 X 10
Dielectric Strength	ASTM C149	volt/mm	>1000
Dielectric Constant	ASTM D150	-	3
Power Factor	"	-	0.01-0.02
Electrical Conductivity	"	-	Non conductor
FIRE PERFORMANCE			
Flammability Rang	UL-94	-	V-0,5VB,5VA
Flame Spread Index	"	-	<10
Average Time of Burning	ASTM D635	SEC	<5
Average Extent of Burning	"	mm	<10
Burning Rate	"	mm/min	Self extinguishing
Limiting Oxygen Index (LOI)	ASTM D2863	LOI	60

12 PVC VALVE

TRUE UNION BALL VALVE

- Size ½"– 2"
- Full port design
- Easy maintenance
- Socket or threaded end



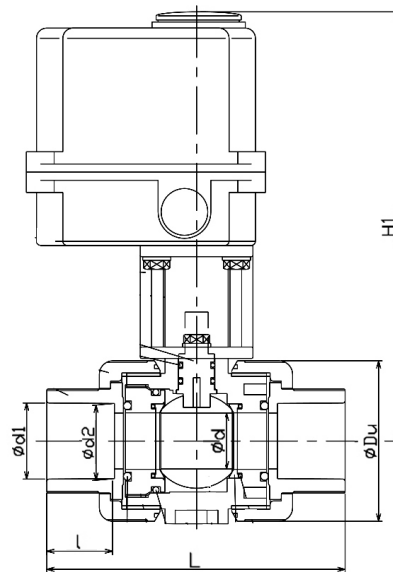
CODE	DESCRIPTIONS	SIZE	ASTM					DIN		JIS				
			L	$\varnothing d$	$\varnothing Du$	$\varnothing d1$	$\varnothing d2$	$\varnothing d1$	$\varnothing d2$	$\varnothing d1$	$\varnothing d2$	L	H1	HL
BDG15U	PVC BALL VALVE	1/2"	105	15	53	21.54	21.23	20.3	20.1	22.40	21.52	22.5	53	84
BDG20U	PVC BALL VALVE	3/4"	117	20	61	26.87	26.57	25.3	25.1	26.45	25.42	26	61	90
BDG25U	PVC BALL VALVE	1"	133	25	71	33.67	33.27	32.3	32.1	32.55	31.37	30	71	106
BDG32U	PVC BALL VALVE	1-1/4"	147	32	83	42.42	42.04	40.3	40.1	38.60	37.31	32	82.5	116
BDG40U	PVC BALL VALVE	1-1/2"	167	40	96	48.56	48.11	50.3	50.1	48.70	47.21	36	91	128
BDG50U	PVC BALL VALVE	2"	180	50	116	60.63	60.17	63.3	63.1	60.80	59.10	40	110	140

ELECTRIC ACTUATOR BALL VALVE (BEE)

- Size ½ “- 4”
- Easy to assemble limit switch and other accessories
- Various optional accessories can be attached on request.



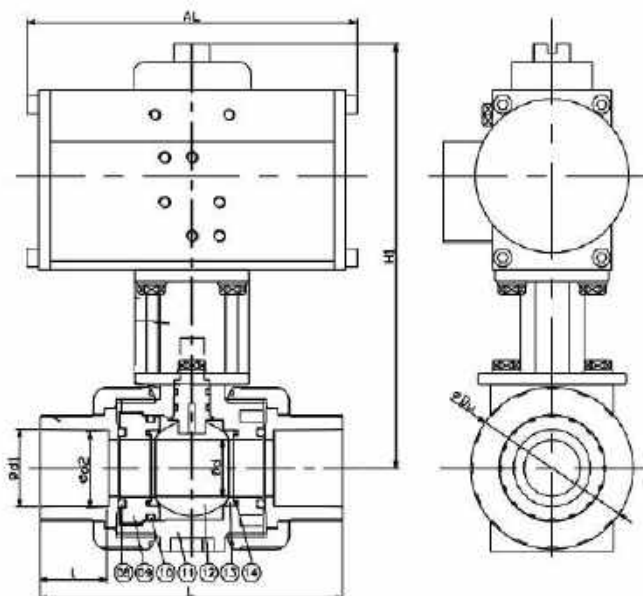
SEKISUI



CODE	DESCRIPTIONS	SIZE	ASTM				DIN		JIS				
			L	Ød	ØDu	Ød1	Ød2	Ød1	Ød2	Ød1	Ød2	L	H1
BEG15U	ELECTRIC ACTUATOR BALL VALVE	1/2"	104	15	53	21.54	21.23	20.3	20.1	22.40	21.52	22	197
BEG20U	ELECTRIC ACTUATOR BALL VALVE	3/4"	117	20	61	26.57	26.57	25.3	25.1	26.45	25.42	25	202
BEG25U	ELECTRIC ACTUATOR BALL VALVE	1"	132	25	71	33.27	33.27	32.3	32.1	32.55	31.37	30	231
BEG32U	ELECTRIC ACTUATOR BALL VALVE	1-1/4"	147	32	83	42.04	42.04	40.3	40.1	38.60	37.31	33	235
BEG40U	ELECTRIC ACTUATOR BALL VALVE	1-1/2"	167	40	96	48.56	48.11	50.3	50.1	48.70	47.21	35	242
BEG50U	ELECTRIC ACTUATOR BALL VALVE	2"	179	50	116	60.63	60.17	63.3	63.1	60.80	59.10	38	290
BEG65U	ELECTRIC ACTUATOR BALL VALVE	2-1/2"	241	63	150	73.38	72.85	75.3	75.1	76.60	5.33	30	308
BEG80U	ELECTRIC ACTUATOR BALL VALVE	3"	271	75	166	89.31	88.70	90.3	90.1	89.60	88.29	33	317
BEG1HU	ELECTRIC ACTUATOR BALL VALVE	4"	323	97	210	114.76	114.07	110.4	110.1	114.70	113.20	35	412

ELECTRIC ACTUATOR BALL VALVE (BEE)

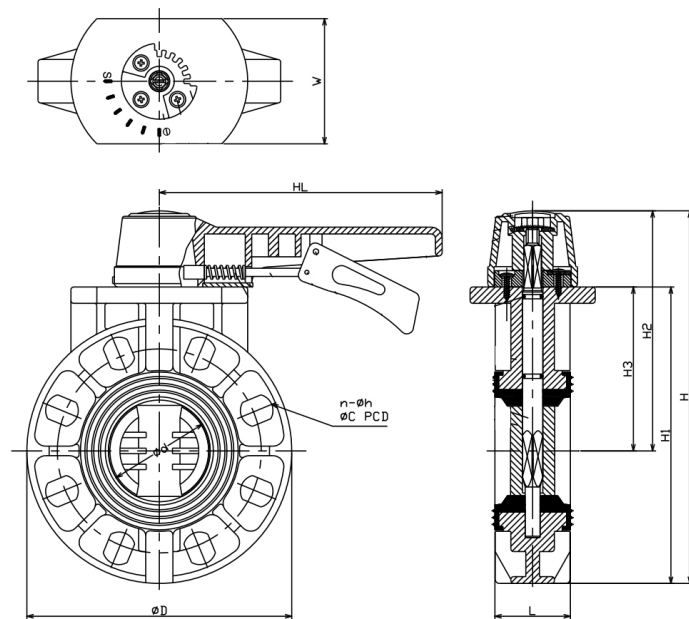
- Size ½ "– 4"
- Easy to assemble limit switch and other accessories
- Various optional accessories can be attached on request.



CODE	DESCRIPTIONS	SIZE	ASTM				DIN		JIS				
			L	Ød	ØDu	Ød1	Ød2	Ød1	Ød2	Ød1	Ød2	L	H1
BAG15U	PNEUMATIC ACTUATOR BALL VALVE	1/2"	104	15	53	21.54	21.23	20.3	20.1	22.40	21.52	22.5	197
BAG20U	PNEUMATIC ACTUATOR BALL VALVE	3/4"	117	20	61	26.57	26.57	25.3	25.1	26.45	25.42	26	202
BAG25U	PNEUMATIC ACTUATOR BALL VALVE	1"	132	25	71	33.27	33.27	32.3	32.1	32.55	31.37	30	231
BAG32U	PNEUMATIC ACTUATOR BALL VALVE	1-1/4"	147	32	83	42.04	42.04	40.3	40.1	38.60	37.31	32	235
BAG40U	PNEUMATIC ACTUATOR BALL VALVE	1-1/2"	167	40	96	48.56	48.11	50.3	50.1	48.70	47.21	36	242
BAG50U	PNEUMATIC ACTUATOR BALL VALVE	2"	179	50	116	60.63	60.17	63.3	63.1	60.80	59.10	40	290
BAG65U	PNEUMATIC ACTUATOR BALL VALVE	2-1/2"	241	63	150	73.38	72.85	75.3	75.1	76.60	5.33	45	308
BAG80U	PNEUMATIC ACTUATOR BALL VALVE	3"	271	75	166	89.31	88.70	90.3	90.1	89.60	88.29	48	317
BAG1HU	PNEUMATIC ACTUATOR BALL VALVE	4"	323	97	210	114.76	114.07	110.4	110.1	114.70	113.20	58	412

PVC BUTTERFLY VALVE / LEVER HANDLE / EPDM2"

- Size 2" - 8"
- Ideally suited in the limited piping space
- PVC or GF-PP body for choice
- Indicate of disk position
- CE approved for 8"
- CE approved for 8"
- CE approved for 8"

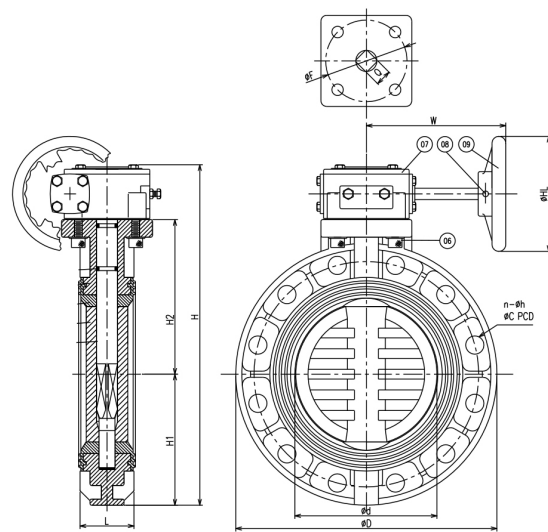


CODE	DESCRIPTIONS	SIZE	ANSI 150PSI					DIN PN 10			JIS 10K					
			L	Ød	ØD	ØC	n-Øh	ØC	n-Øh	ØC	n-Øh	H	H1	H2	W	HL
ENG50U	PVC BUTTERFLY VALVE	2"	47.5	50	162	120.7	4-19	125	4-18	120	4-19	240	187	159	92	208
ENG65U	PVC BUTTERFLY VALVE	2-1/2"	42.5	64	178.5	139.5	4-19	145	4-18	140	4-19	259	203	170	92	208
ENG80U	PVC BUTTERFLY VALVE	3"	54	73	195	152.4	4-19	160	8-18	150	4-19	273	217	176	92	208
ENG1HU	PVC BUTTERFLY VALVE	4"	55	98	225	190.5	8-19	180	8-18	175	4-19	309	246	189	92	208
ENGIQU	PVC BUTTERFLY VALVE	5"	62	123	256	215.9	8-19	210	8-18	210	4-19	339	280	211	110	280
ENG1FU	PVC BUTTERFLY VALVE	6"	66	143	282	241.5	8-22	240	8-23	240	4-19	368	308	227	110	280
ENG2HU	PVC BUTTERFLY VALVE	8"	71	185	345	298.5	8-22	295	8-23	290	4-19	450	376	278	120	300

BUTTERFLY VALVE - WORM GEAR TYPE (EM)



- Size 6- 12
- Ideally suited in the limited piping space
- PVC or GF-PP body for choice
- CE approved for 8"~12"



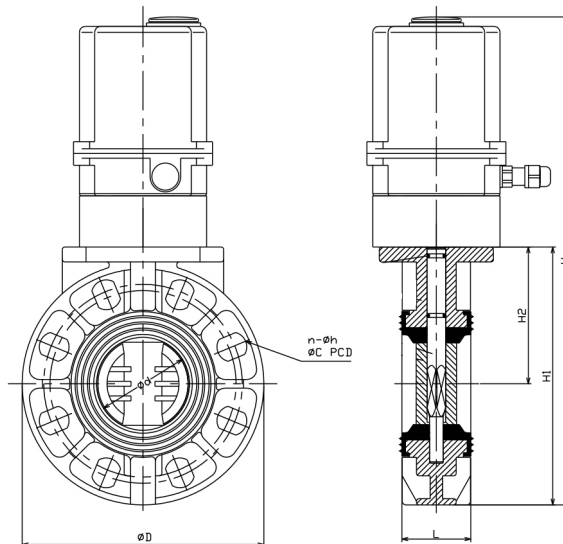
CODE	DESCRIPTIONS	SIZE	ANSI 150PSI					DIN PN 10		JIS 10 K								
			L	Ød	ØD	ØC	n-Øh	ØC	n-Øh	ØC	n-Øh	H	H1	H2	W	ØF	Q	ØHL
EMG1FU	PVC BUTTERFLY VALVE	6"	66	143	282	241.5	8-22	240	8-23	240	8-23	379	140	168	189	102	22	202
EMG2HU	PVC BUTTERFLY VALVE	8"	71	185	345	298.5	8-22	295	8-23	290	12-23	447	173	203	189	102	22	202
EMG2FU	PVC BUTTERFLY VALVE	10"	90	234	413	362	12-25	350	12-23	355	12-25	522	207	242	189	102	22	202
EMG3HU	PVC BUTTERFLY VALVE	12"	101.5	282	491	431.5	12-25	400	12-23	400	16-25	630	245	280	234	125	27	202

ELECTRIC ACTUATOR BALL VALVE (EE)

- Size 2" - 12"
- Efficient operation in the limited piping space
- Easy to assemble limit switch and
- Various optional accessories can be attached on request. Other accessories



SEKISUI

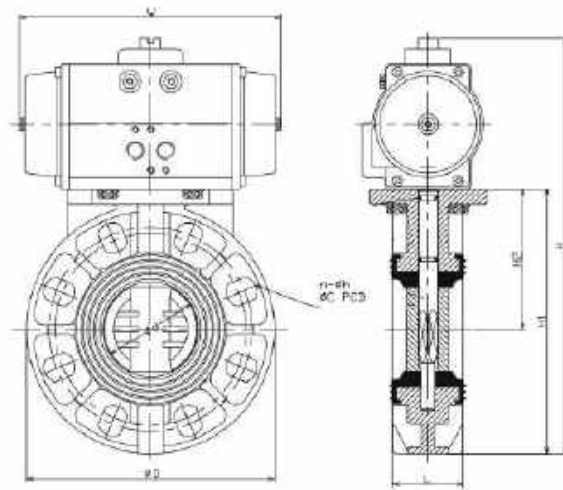


CODE	DESCRIPTIONS	SIZE	ASTM 150PSI					DIN PN 10		JIS 10K				
			L	ϕd	ϕD	ϕC	$n-\phi h$	ϕC	$n-\phi h$	ϕC	$n-\phi h$	H	H1	H2
EEG50U	EL ACTUATOR BUTTERFLY VALVE	2"	47.5	50	162	120.7	4-19	125	4-18	120	4-19	369	184	103
EEG65U	EL ACTUATOR BUTTERFLY VALVE	2-1/2"	42.5	64	178.5	139.5	4-19	145	4-18	140	4-19	388	203	114
EEG80U	EL ACTUATOR BUTTERFLY VALVE	3"	54	73	195	152.4	4-19	160	8-18	150	8-19	403	218	121
EEG1HU	EL ACTUATOR BUTTERFLY VALVE	4"	55	98	225	190.5	8-19	180	8-18	175	8-19	417	252	139
EEG1QU	EL ACTUATOR BUTTERFLY VALVE	5"	62	123	256	215.9	8-19	210	8-18	210	8-23	444	279	151
EEG1FU	EL ACTUATOR BUTTERFLY VALVE	6"	66	143	282	241.5	8-22	240	8-23	240	8-23	473	308	166
EEG2HU	EL ACTUATOR BUTTERFLY VALVE	8"	71	185	345	298.5	8-22	295	8-23	290	12-23	616	376	204

PNEUMATIC ACTUATOR BUTTERFLY VALVE (EA)



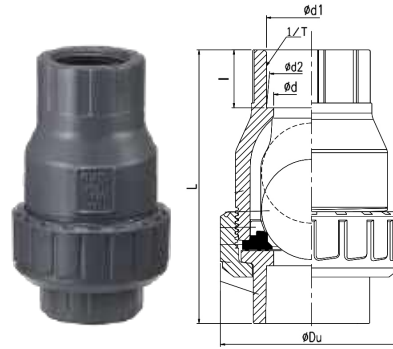
- Size 2" - 12"
- Efficient operation in the limited piping space
- Easy to assemble limit switch
- Various optional accessories can be attached on request. other accessories



CODE	DESCRIPTIONS	SIZE	ASTM 150PSI					DIN PN10		JIS10K		DOUBLE ACTION		SPRING RETURN			
			L	Ød	ØD	ØC	n-Øh	ØC	n-Øh	ØC	n-Øh	H	W	H	W	H1	H2
EAG50U	PNEUMATIC ACTUATOR BALL VALVE	2"	47.5	50	162	125	4-19	125	4-18	120	4-19	283	144.3	302	205	184	103
EAG65U	PNEUMATIC ACTUATOR BALL VALVE	2-1/2"	42.5	64	178.5	145	4-19	145	4-18	140	4-19	302	144.3	321	205	203	114
EAG80U	PNEUMATIC ACTUATOR BALL VALVE	3"	54	73	195	160	4-19	160	8-18	150	8-19	336	149.2	336	205	218	121
EAG1HU	PNEUMATIC ACTUATOR BALL VALVE	4"	55	98	225	180	8-19	180	8-18	175	8-19	370	149.2	393	250	252	139
EAG1QU	PNEUMATIC ACTUATOR BALL VALVE	5"	62	123	256	210	8-19	210	8-18	210	8-23	397	149.2	420	250	279	151
EAG1FU	PNEUMATIC ACTUATOR BALL VALVE	6"	66	143	282	240	8-22	240	8-23	240	8-23	449	183	469	355	308	166
EAG2HU	PNEUMATIC ACTUATOR BALL VALVE	8"	71	185	345	295	8-22	295	8-23	290	12-25	516	260	537	355	376	204

BALL CHECK VALVE (CB)

- Size 1/2"– 4"
- Ball type
- Socket or threaded end
- Gray color

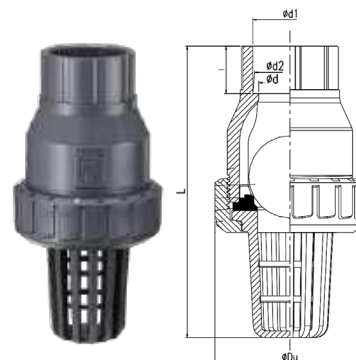


SEKISUI

CODE	DESCRIPTIONS	SIZE	ANSI						DIN				JIS			
			$\varnothing d$	$\varnothing D_u$	$\varnothing d_1$	$\varnothing d_2$	I	L	$\varnothing d_1$	$\varnothing d_2$	I	L	$\varnothing d_1$	$\varnothing d_2$	I	L
CBG15U	PVC BALL CHECK VALVE	1/2"	16	49	21.54	21.23	22.2	83	20.3	20.1	16	83	22.3	21.7	22	98
CBG20U	PVC BALL CHECK VALVE	3/4"	20	59	26.87	26.27	25.4	99	25.3	25.1	19	99	26.3	25.7	25	118
CBG25U	PVC BALL CHECK VALVE	1"	25	67	33.65	33.27	28.6	106	32.3	32.1	22	106	32.3	31.67	29	124
CBG32U	PVC BALL CHECK VALVE	1-1/4"	32	98	42.42	42.04	31.8	149	40.3	40.1	26	149	38.4	37.57	32	153
CBG40U	PVC BALL CHECK VALVE	1-1/2"	40	98	48.56	48.11	35.0	142	50.3	50.1	31	142	48.5	47.54	35	153
CBG50U	PVC BALL CHECK VALVE	2"	50	120	60.63	60.17	38.1	173	63.3	63.1	38	173	60.6	59.44	38	180
CBG65U	PVC BALL CHECK VALVE	2-1/2"	65	150	73.38	72.85	44	218	75.3	75.1	44	218	76.6	75.33	61	259
CBG80U	PVC BALL CHECK VALVE	3"	80	186	89.31	88.70	51	269	90.3	90.1	51	269	89.6	88.29	64	305
CBG1HU	PVC BALL CHECK VALVE	4"	102	228	114.76	114.1	61	348	110.4	110.1	61	348	114.7	113.2	84	408

FOOT VALVE (FB)

- Size 1/2"– 4"
- Ball type
- Socket or threaded end
- Gray color



SEKISUI

CODE	DESCRIPTIONS	SIZE	ANSI						DIN				JIS			
			$\varnothing d$	$\varnothing D_u$	$\varnothing d_1$	$\varnothing d_2$	I	L	$\varnothing d_1$	$\varnothing d_2$	I	L	$\varnothing d_1$	$\varnothing d_2$	I	L
FBG20U	PVC FOOT VALVE	1/2"	16	49	21.54	21.23	22.2	119	20.3	20.1	16	112	22.30	21.7	22	119
FBG20U	PVC FOOT VALVE	3/4"	20	59	26.87	26.27	25.4	140	25.3	25.1	19	133	26.30	25.7	25	140
FBG25U	PVC FOOT VALVE	1"	25	67	33.65	33.27	28.6	151	32.3	32.1	22	144	32.33	31.67	29	151
FBG32U	PVC FOOT VALVE	1-1/4"	32	98	42.42	42.04	31.8	205	40.3	40.1	26	201	38.43	37.57	32	205
FBG40U	PVC FOOT VALVE	1-1/2"	40	98	48.56	48.11	35.0	205	50.3	50.1	31	201	48.46	47.54	35	205
FBG50U	PVC FOOT VALVE	2"	50	120	60.63	60.17	38.1	234	63.3	63.1	38	233	60.56	59.44	38	235
FBG65U	PVC FOOT VALVE	2-1/2"	65	150	73.38	72.85	44.5	293	75.3	75.1	44	293	76.60	75.33	61	313
FBG80U	PVC FOOT VALVE	3"	80	186	89.31	88.70	47.7	345	90.3	90.1	51	349	89.60	88.29	64	364
FBG1HU	PVC FOOT VALVE	4"	102	228	114.76	114.1	57.2	457	110.4	110.1	61	461	114.70	113.2	84	488

13 CPVC PIPES




- Elson pipe and fittings are approved by NSF International 14 and 61.
- NSF standard 14: Plastic piping system components and related materials
- NSF standard 61: Drinking water system components-Health effects

CODE	DESCRIPTIONS	SIZE	OUTSIDE DIAMETER	WALL THICKNESS	INSIDE DIAMETER	MAX. OPERATING PRESSURE	WEIGHT CPVC
P8V156	SCH80 PVC PIP	1/2"	21.34	3.73	13.4	5.86	0.311
P8V206	SCH80 PVC PIP	3/4"	26.67	3.91	18.3	4.76	0.421
P8V256	SCH80 PVC PIP	1"	33.40	4.55	23.8	4.34	0.618
P8V326	SCH80 PVC PIP	1-1/4"	42.16	4.85	31.9	3.59	0.855
P8V406	SCH80 PVC PIP	1-1/2"	48.26	5.08	37.5	3.24	1.037
P8V506	SCH80 PVC PIP	2"	60.32	5.54	48.6	2.76	1.435
P8V656	SCH80 PVC PIP	2-1/2"	73.02	7.01	58.2	2.90	2.190
P8V806	SCH80 PVC PIP	3"	88.90	7.62	72.8	2.55	2.932
P8V1H6	SCH80 PVC PIP	4"	114.30	8.56	96.2	2.21	4.288
P8V106	SCH80 PVC PIP	5"	141.30	9.53	121.1	2.00	5.950
P8V1F6	SCH80 PVC PIP	6"	168.28	10.97	145.0	1.93	8.186
P8V2H6	SCH80 PVC PIP	8"	219.08	12.70	192.2	1.72	12.433
P8V2F6	SCH80 PVC PIP	10"	273.05	15.06	241.1	1.59	18.436
P8V3H6	SCH80 PVC PIP	12"	323.85	17.45	286.9	1.59	25.365
P8V3F6	SCH80 PVC PIP	14"	355.60	19.05	315.2	1.52	30.430
P8V4H6	SCH80 PVC PIP	16"	406.40	21.41	361.0	1.52	39.125
P8V4F6	SCH80 PVC PIP	18"	457.20	23.80	406.8	1.52	48.943
P8V5H6	SCH80 PVC PIP	20"	508.00	26.19	452.5	1.52	59.596
P8V6H6	SCH80 PVC PIP	24"	609.60	30.94	544.0	1.45	84.974

ADVANTAGES OF SCH80 CPVC PIPE

- CPVC pipe have a number of outstanding features, such as high chemical resistance, easy installation, and reasonable price, which can lead to the reduction of total construction cost. PVC and CPVC can or should replace other materials of construction in size ranges available for all sorts of piping systems
- CPVC (Chlorinated Polyvinyl Chloride) is another rigid pipe which has three highly-desirable characteristics, good mechanical strength at high temperatures and higher chemical resistance and relatively compared to metal. CPVC polymer is more chlorinated into PVC polymer. This extra chlorine is responsible for the material's high-temperature strength and other properties which are valuable for industrial piping. For pressure piping applications, it is recommended for temperatures as high as 200°F compared with 140°F of PVC.
- Sch80 PVC & CPVC Pipe ranging in sizes from 1/2" through 24", and PVC fittings and PVC valves are available for light, medium, and heavy duty use.
- PVC and CPVC are environmentally friendly polymer in terms of low carbonic acid gas emission in manufacturing process



CHEMICAL RESISTANCE

PVC and CPVC pipe are inert to attack by strong acids, alkalis, salt solutions, alcohols, and many other chemicals. They are dependable on corrosive applications and impart no tastes or odors to materials carried in them. They do not react with materials carried, nor act as a catalyst. All possibility of contamination, or chemical process changes, and all danger of clouding, slugging.

STRENGTH

PVC and CPVC pipe are highly resilient, tough and durable products that have high tensile and high impact strength. They will withstand surprisingly high pressure for long periods. Fire Resistance PVC and CPVC pipe products are self extinguishing and will not support combustion. They have an ASTM E-84 flame spread rate of 25 or less.

INTERNAL CORROSION RESISTANCE

PVC and CPVC pipe resist chemical attack by most acids, alkalis, salts, and organic media such as alcohols and aliphatic hydrocarbons, within certain limits of temperature and pressure. They provide the needed chemical resistance, while eliminating the disadvantages of special metals, lined piping, glass, wood, ceramics, or other special corrosion-resisting materials, which formerly had to be used.

EXTERNAL CORROSION RESISTANCE

Industrial fumes, humidity, saltwater, weather, atmospheric, or underground conditions, regardless of type of soil or moisture encountered, cannot harm rigid PVC and CPVC plastic pipe. Scratches or surface abrasions do not provide points which corrosive elements can attack. Immunity to Galvanic or Electrolytic Attack PVC and CPVC pipe are inherently immune to galvanic or electrolytic action. They can be used underground, underwater, in the presence of metals, and can also be connected to metals.

FREEDOM FROM TOXICITY, ODORS, TASTES

PVC and CPVC piping are non-toxic, odorless, and tasteless. They have been listed by the National Sanitation Foundation for use with potable water.

CORROSION FREE

With many other pipe materials, slight corrosion may occur. The corroded particles can contaminate the piped fluid, complicating further processing, or causing bad taste, odors, or discoloration. This is particularly undesirable when the piped fluid is for domestic consumption. With PVC and CPVC, there are no corrosive by-products, therefore, no contamination of the piped fluid.

LOW FRICTION LOSS

The smooth interior surfaces of PVC and CPVC pipe, compared to metal and other piping materials, assure low friction loss and high flow rates. Additionally, since PVC and CPVC pipe will not rust, pit, scale, or corrode, the high flow rates will be maintained for the life of the piping system.

LOW THERMAL CONDUCTIVITY

PVC and CPVC pipe have a much lower thermal conductivity factor than metal pipe. Therefore, fluids being piped maintain a more constant temperature. In most cases, pipe insulation is not required.

EASY INSTALLATION AND LOW INSTALLATION COST

PVC and CPVC pipe are lightweight, convenient to handle, relatively flexible, and easy to install. For example, it is approximately 1/5 to 1/6 for the weight of metal.

They have smooth, seamless interior walls. No special tools are required for cutting. They can be installed using solvent cementing, threading, flanging techniques.

These features lead to lower installed costs than conventional metal piping.

MAINTENANCE FREE

Once a PVC or CPVC piping system is properly selected, designed, and installed, it is virtually maintenance free. It will not rust, scale, pit, corrode, or promote build-up on the interior. Therefore, years of trouble-free service can be expected when using Eslon PVC and CPVC pipe.

STANDARD APPROVED

PVC and CPVC pipe complies with the industry standards and requirements as set forth by the American Society for Testing and Materials (ASTM) and the National Sanitation Foundation (NSF International).

PROPERTIES OF CPVC PIPE

GENERAL	TEST METHOD	SI UNIT	
		UNIT	CPVC
GENERAL			
Cell Classification	ASTM D1784	-	23447
Maximum Usable Temp.	-	C	93
Specific Gravity @ 73°F(23°C)	ASTM D792	g/cc	1.55+0.02
Water Absorption % increase 24 hrs@ 73°F(23°C)	ASTM D570	%	0.04
Hardness, Rockwell	ASTM D785	-	115-125
Poisson's Rao @ 73°F(23°C)	ASTM D638	-	0.36
MECHANICAL			
Tensile Strength @ 73°F(23°C)	ASTM D638	Mpa	53.1
Tensile Strength @194 °F(90°C)	"	Mpa	22.1
Tensile Modulus of Elasticity @ 73°F(23°C)	"	GPa	2.62
Tensile Modulus of Elasticity @ 194°F(90°C)	"	Gpa	1.52
Flexural Strength @ 73°F(23°C)	ASTM D790	Mpa	89.6
Flexural Modulus of Elasticity @ 73°F(23°C)	"	Gpa	2.69
Compressive Strength @ 73°F(23°C) ε =10%	ASTM D695	Mpa	96.5
Compressive Modulus of Elasticity @ 73°F(23°C)	"	Gpa	1.00
Izod Impact, notched @ 73°F(23°C)	ASTM D256	J/m	1.60
THERMAL			
Coefficient of Linear Expansion	ASTM D696	m/m/c	7.0-8.0x10
Coefficient of Thermal Conductivity	ASTM C177	Watt /m/k	0.13
Heat Deflection Temperature Under Load (264psi, annealed)	ASTM D648	c	110
Specific Heat	ASTM D2766	J/K/g	1.1
ELECTRICAL			
Volume Resistivity	ASTM D257	ohm/cm	>1.0 X 10
Dielectric Strength	ASTM C149	volt/mm	>1000
Dielectric Constant	ASTM D150	-	3
Power Factor	"	-	0.01-0.02
Electrical Conductivity	"	-	Non conductor
FIRE PERFORMANCE			
Flammability Rating	UL-94	-	V-0,5VB,5VA
Flame Spread Index	"	-	<10
Average Time of Burning	ASTM D635	SEC	<5
Average Extent of Burning	"	mm	<10
Burning Rate	"	mm/min	Self extinguishing
Limiting Oxygen Index (LOI)	ASTM D2863	LOI	<10



20 FOUNTAIN NOZZLES

INDEX

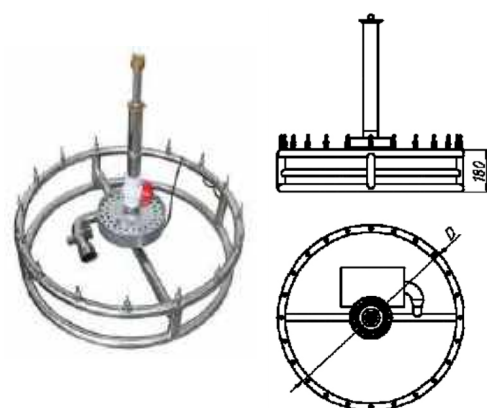
01 FOUNTAINS	684
02 FOUNTAIN NOZZLES	695
03 FOUNTAIN LIGHTS	712
04 FOUNTAIN PUMPS	718

01 FOUNTAINS

DESIGN AQUA 01

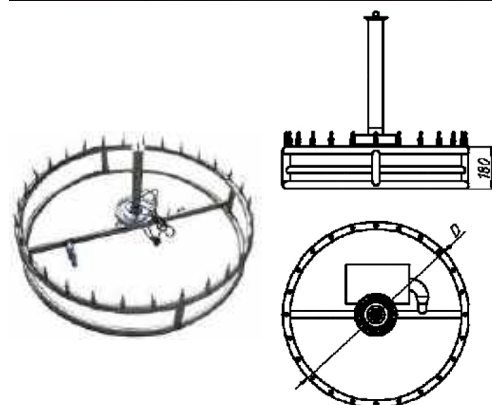
- Indoor and outdoor water dancing fountain
- Voltage: 110V/220V/50HZ/60HZ
- Fountain light: RGB, white, Warm white
- Fountain pump: iron or SS304 submersible pump
- Controller: optional
- Cable: IEC standard
- Fountain nozzle: stainless steel 304

CODE	AQ01-680	AQ01-800	AQ01-1000
BODY DIAMETER 'D'	68 cm	80 cm	100 cm
PUMP POWER	130 watts	155 watts	170 watts
WATER HEIGHT	0.7-0.9 m	0.7-1.1 m	0.7-1.3 m
WATER COVER DIAMETER	0.7 m	0.9 m	1.1 m
PACKING SIZE	72 x 72 x 24	84 x 84 x 24	104 x 104 x 25
GROSS WEIGHT	10 kg	12 kg	15 kg



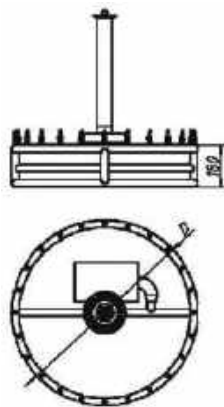
DESIGN AQUA 02

CODE	AQ02-680	AQ02-800	AQ02-1000
BODY DIAMETER 'D'	68 cm	80 cm	100 cm
PUMP POWER	130 watts	155 watts	170 watts
WATER HEIGHT	0.4 m	0.5 m	0.6 m
WATER COVER DIAMETER	0.7 m	0.9 m	1.1 m
PACKING SIZE	72 x 72 x 24	84 x 84 x 24	104 x 104 x 25
GROSS WEIGHT	10 kg	12 kg	15 kg



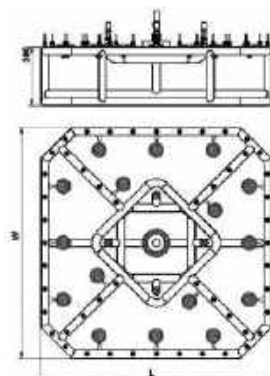
DESIGN AQUA 03

CODE	AQ03-680	AQ03-800	AQ03-1000
BODY DIAMETER 'D'	68 cm	80 cm	100 cm
PUMP POWER	130 watts	155 watts	170 watts
WATER HEIGHT	0.6 m	0.7 m	0.8 m
WATER COVER DIAMETER	0.9 m	1 meter	1.2 m
PACKING SIZE	72 x 72 x 24	84 x 84 x 24	104 x 104 x 25
GROSS WEIGHT	10 kg	12 kg	15 kg



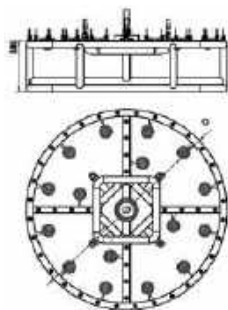
DESIGN AQUA 04

CODE	AQ04-1000	AQ04-1200	AQ04-1500
BODY DIAMETER L x W	1 x 1 m	80 x 80 cm	100 x 100 cm
PUMP POWER	800 watts	110 watts	1500 watts
WATER HEIGHT	2 m	4 m	6 m
WATER COVER DIAMETER	1.2 m	1.8 m	3.0 m
PACKING SIZE	104 x 104 x 42	124 x 124 x 42	154 x 154 x 42
GROSS WEIGHT	40 kg	45 kg	55 kg



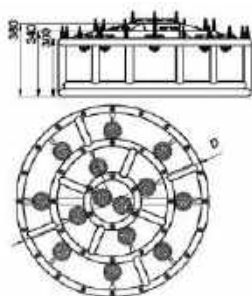
DESIGN AQUA 05

CODE	AQ05-1000	AQ05-1200	AQ05-1500	AQ05-2000	AQ05-2500
BODY DIAMETER 'D'	1 m	1.2 m	1.5 m	2 m	2.5 m
PUMP POWER	0.8 kW	1.1 kW	1.5 kW	2.2 kW	3 kW
WATER HEIGHT	2 m	4 m	6 m	8 m	10 m
WATER COVER DIAMETER	1.2 m	1.8 m	3.0	5.0	7.0
PACKING SIZE	104 x 104 x 42	124 x 124 x 42	154 x 154 x 42	204 x 204 x 42	254 x 254 x 42
GROSS WEIGHT	40 kg	45 kg	55 kg	110 kg	155 kg



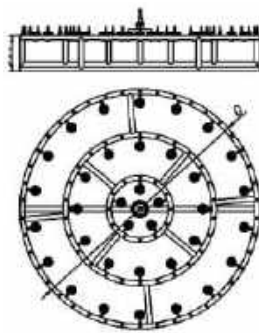
DESIGN AQUA 06

CODE	AQ06-800	AQ06-1000	AQ06-1200	AQ06-1500
BODY DIAMETER 'D'	0.8 m	1 m	1.2 m	1.5 m
PUMP POWER	0.8 kW	1.1 kW	1.5 kW	2.2 kW
WATER HEIGHT	2 m	2.5 m	4.8 m	2.5 m
WATER COVER DIAMETER	1.2 m	1.5 m	1.8 m	2.5 m
PACKING SIZE	84 x 84 x 42	104 x 104 x 42	124 x 124 x 42	154 x 154 x 42
GROSS WEIGHT	40 kg	75 kg	85 kg	115 kg



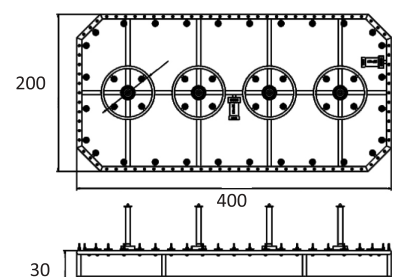
DESIGN AQUA 07

CODE	AQ07-680	AQ07-800	AQ07-1000
BODY DIAMETER 'D'	68 cm	80 cm	100 cm
PUMP POWER	130 watts	155 watts	170 watts
WATER HEIGHT	0.6 m	0.7 m	0.8 m
WATER COVER DIAMETER	0.9 m	1 meter	1.2 m
PACKING SIZE	72 x 72 x 24	84 x 84 x 24	104 x 104 x 25
GROSS WEIGHT	10 kg	12 kg	15 kg



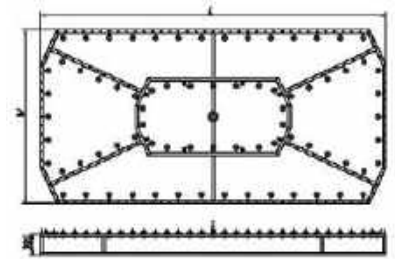
DESIGN AQUA 08

CODE	AQ08-4020
BODY SIZE	400 x 200 cm
PUMP POWER	2 x 1.5 kW
WATER HEIGHT	1 m
LED LIGHTS	48 pcs
ADJUSTABLE NOZZLES	120 pcs
MUSHROOM NOZZLES	4 pcs
SUBMERSIBLE PUMPS	2 pcs
ELECTRICAL VALVE	4 pcs
PACKING SIZE	404 x 204 x 42
GROSS WEIGHT	450 kg



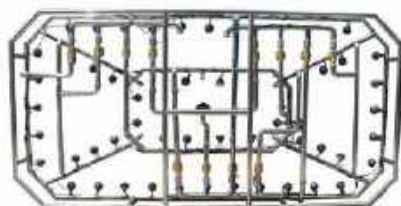
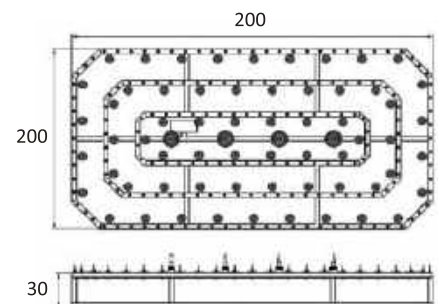
DESIGN AQUA 09

CODE	AQ09-4020
BODY SIZE	400 x 200 cm
PUMP POWER	3 x 1.5 kW
WATER HEIGHT	7 m
LED LIGHTS	72 pcs
ADJUSTABLE NOZZLES	114 psc
MUSHROOM NOZZLES	1 pcs
SUBMESIBLE PUMPS	3 pcs
ELECTRICAL VALVE	12 pcs
BALL VALVE	15 pcs
PACKING SIZE	404 x 204 x 42
GROSS WEIGHT	480 kg



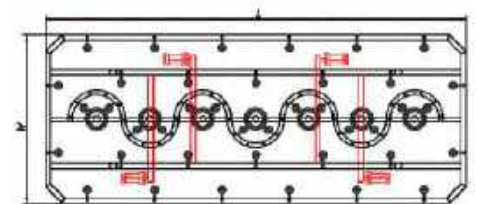
DESIGN AQUA 10

CODE	AQ10-4020
BODY SIZE	400 x 200 cm
PUMP POWER	5 x 1.1 kW
WATER HEIGHT	5 m
LED LIGHTS	66 pcs
ADJUSTABLE NOZZLES	174 psc
JADE CHOPSTICK NOZZLES	5 pcs
SUBMESIBLE PUMPS	5 pcs
ELECTRICAL VALVE	4 pcs
PACKING SIZE	404 x 204 x 42
GROSS WEIGHT	480 kg



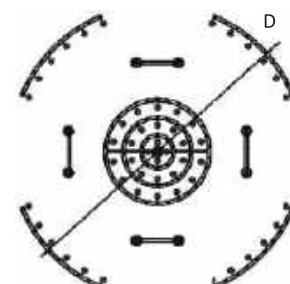
DESIGN AQUA 11

CODE	AQ11-4020	AQ11-5020	AQ11-8025
BODY SIZE	400 x 200 cm	500 x 200 cm	800 x 250 cm
PUMP POWER	8 x 1.1 kW	8 x 1.1 kW	8 x 1.5 kW
WATER HEIGHT	5 m	5 m	7 m
LED LIGHTS	37 pcs	47 pcs	94 pcs
ADJUSTABLE NOZZLES	36 pcs	40 pcs	88 pcs
FAN SHAPE NOZZLE	8 pcs	8 pcs	18 pcs
AIR IN NOZZLE	16 pcs	22 pcs	20 pcs
1.5" ADJUSTABLE	5 pcs	7 pcs	13 pcs
SUBMERSIBLE PUMPS	8 pcs	8 pcs	8 pcs
ELECTRICAL VALVE	8 pcs	8 pcs	8 pcs
PACKING SIZE	404 x 204 x 42	504 x 204 x 42	404 x 204 x 42
GROSS WEIGHT	490 kg	650 kg	680 kg



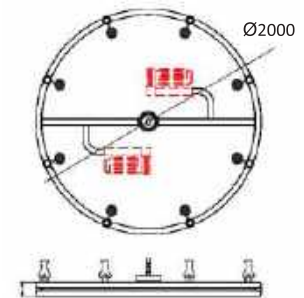
DESIGN AQUA 12

CODE	AQ12-4020	AQ12-5020
BODY DIAMETER "D"	5 m	7 m
PUMP POWER	10 x 1.1 kW	10 x 1.1 kW
WATER HEIGHT	10 m	10 m
LED LIGHTS	63 pcs	81 pcs
"1/2" ADJUSTABLE NOZZLES	60 pcs	80 pcs
"1" ADJUSTABLE NOZZLES	40 pcs	72 pcs
TOWER CEDAR NOZZLES	8 pcs	8 pcs
SUBMERSIBLE PUMPS	10 pcs	10 pcs
ELECTRICAL VALVE	10 pcs	10 pcs
PACKING SIZE		
GROSS WEIGHT		



DESIGN AQUA 13

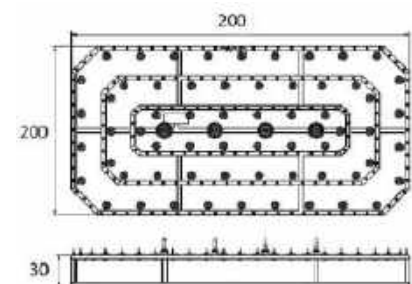
CODE	AQ13-2000
BODY DIAMETER	2 m
PUMP POWER	2 x 1.5 kW
WATER HEIGHT	4 m
LED LIGHTS	9 pcs
ADJUSTABLE NOZZLES	8 psc
JADE CHOPSTICK NOZZLES	1 pcs
SUBMESIBLE PUMPS	2 pcs
ELECTRICAL VALVE	2 pcs
PACKING SIZE	204 x 204 x 42
GROSS WEIGHT	120 kg



DESIGN AQUA 14

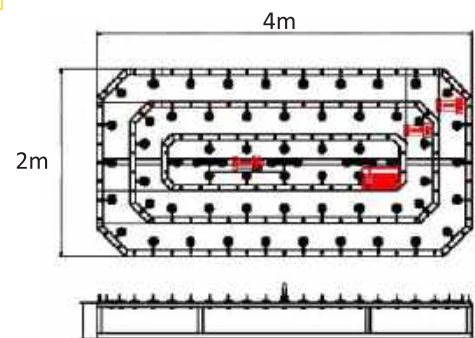
- Fountain Size: Customized size
- Water spray height: 0-10m, as required
- Voltage: 110-220V/50HZ-60HZ
- Material: Stainless steel 304
- Fountain pump: Iron or Ss304
- Fountain lamps: Plastic or Ss304
- Light color: RGB
- Build-out control music pattern

CODE	AQ14-4535
BODY SIZE	4.5 x 3.5 m
PUMP POWER	8 x 1.5 kW
WATER HEIGHT	6 m
LED LIGHTS	71 pcs
1/2" ADJUSTABLE NOZZLES	166 psc
J1.5" ADE CHOPSTICK NOZZLES	1 pcs
SUBMESIBLE PUMPS	8 pcs
ELECTRICAL VALVE	8 pcs
PACKING SIZE	
GROSS WEIGHT	



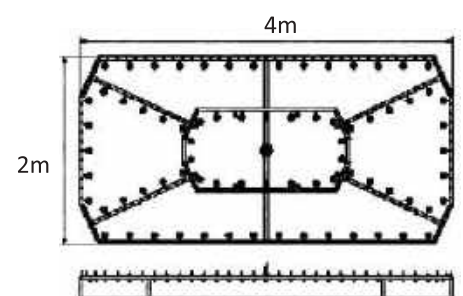
DESIGN AQUA 15

CODE	AQ15-4020
BODY DIAMETER	400X 200 cm
PUMP POWER	5 x 1.1 kW
WATER HEIGHT	5 m
LED LIGHTS	66 pcs
ADJUSTABLE NOZZLES	174 pcs
JADE CHOPSTICK NOZZLES	5 pcs
SUBMESIBLE PUMPS	5 pcs
ELECTRICAL VALVE	4 pcs
PACKING SIZE	404 x 204 x 42
GROSS WEIGHT	490 kg



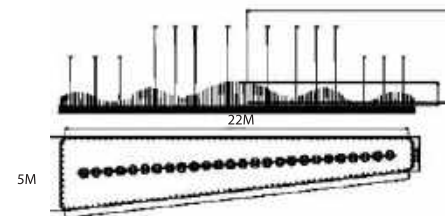
DESIGN AQUA 16

CODE	AQ16-4020
BODY DIAMETER "D"	4 x 2m
PUMP POWER	2 X 1.5 kW
WATER HEIGHT	5 m
LED LIGHTS	61 pcs
"1/2" ADJUSTABLE NOZZLES	114 pcs
"1" ADJUSTABLE NOZZLES	1 pcs
TOWER CEDAR NOZZLES	6 pcs
SUBMESIBLE PUMPS	2 pcs
ELECTRICAL VALVE	8 pcs
PACKING SIZE	404 x 204 x 42
GROSS WEIGHT	140 kg



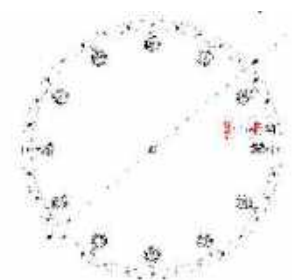
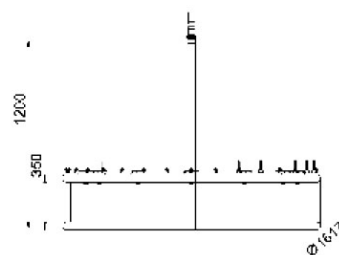
DESIGN AQUA 17

CODE	AQ17-2250
BODY SIZE	22 x 5 m
PUMP POWER	9 x 1.5 kW
WATER HEIGHT	10 m
LED LIGHTS	248 pcs
"1/2" ADJUSTABLE NOZZLES	256 pcs
"1/5" ADJUSTABLE NOZZLES	26 pcs
SUBMESIBLE PUMPS	9 pcs
ELECTRICAL VALVE	16 pcs
PACKING SIZE	
GROSS WEIGHT	



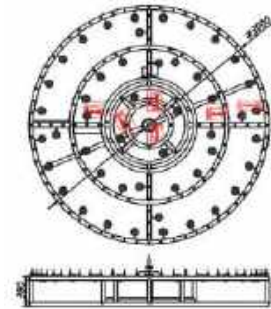
DESIGN AQUA 18

CODE	AQ18-1800
BODY DIAMETER	1.8m
PUMP POWER	1 x 1.5 kW
WATER HEIGHT	3 m
LED LIGHTS	13 pcs
"1/2" ADJUSTABLE NOZZLES	32 pcs
"1/5" ADJUSTABLE NOZZLES	1 pcs
SUBMESIBLE PUMPS	1 pcs
PACKING SIZE	184 x 184 x 42 cm
GROSS WEIGHT	80 kg



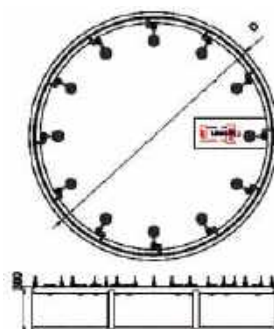
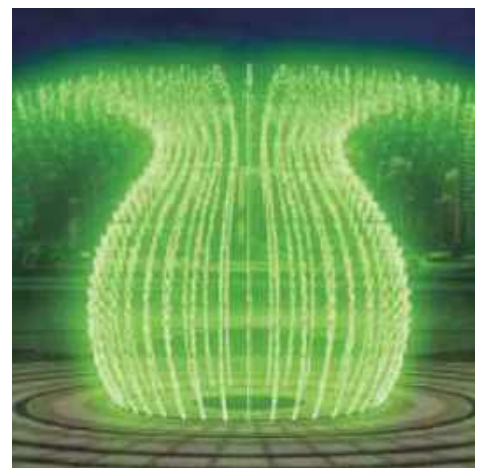
DESIGN AQUA 19

CODE	AQ19-3000
BODY DIAMETER	3 m
PUMP POWER	6 x 1.1 kW
WATER HEIGHT	8 m
LED LIGHTS	49 pcs
"1/2" ADJUSTABLE NOZZLES	120 pcs
"1/5" ADJUSTABLE NOZZLES	1 pcs
CASCADE NOZZLE	4 pcs
SUBMERSIBLE PUMPS	6 pcs
PACKING SIZE	304 x 154 x 80 cm
GROSS WEIGHT	220 kg



DESIGN AQUA 20

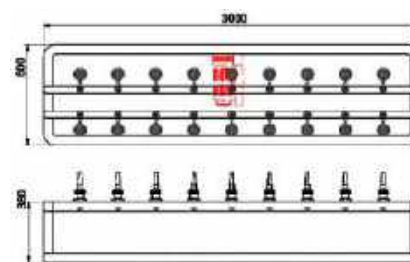
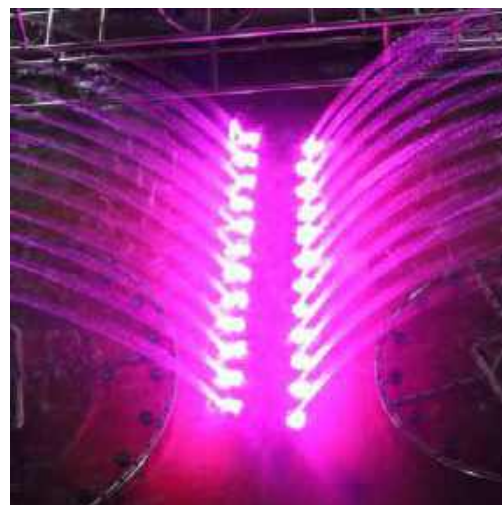
CODE	AQ20-2000	AQ20-3000	AQ20-4000	AQ20-5000	AQ20-6000	AQ20-8000
BODY DIAMETER "D"	2 m	3 m	4 m	5 m	6 m	8 m
PUMP POWER	1 x 1.5 kW	1 x 2.2 kW	1 x 5.5 kW	2 x 4 kW	5 x 5.5 kW	4 x 5.5 kW
SWING MOTOR POWER	1 x 1.1 kW	1 x 1.1 kW	1 x 1.5 kW	1 x 2.2 kW	1 x 3 kW	4 x 4 kW
WATER HEIGHT	2.5 m	3.5 m	4.5 m	5.5 m	6.5 m	9 m
WATER COVER DIAMETER	7 m	10 m	13 m	16 m	19 m	26 m
DIRECT NOZZLES	25 pcs	38 pcs	42 pcs	53 pcs	63 pcs	72 pcs
LED LIGHTS	25 pcs	38 pcs	42 pcs	53 pcs	63 pcs	72 pcs
PACKING SIZE	204 x 204 x 40 cm	304 x 154 x 80 cm				
GROSS WEIGHT	120 kg	180 kg				



DESIGN AQUA 21

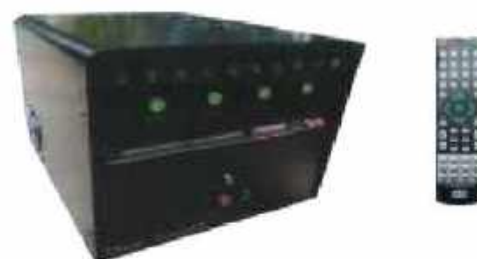
- Size: 2m,3m,4m,5m
- Voltage: 110V/220V/380V, 50Hz/60Hz
- Material: stainless 304
- Light: RGB fountain light
- Pump: submersible stainless or cast iron pump
- Nozzle: stainless nozzle
- With swing motor
- Packing: wood frame

CODE	AQ21-2000	AQ21-3000	AQ21-4000
BODY SIZE	200 x 30 cm	300 x 30 cm	400 x 30 cm
PUMP POWER	1 x 1.5 kW	1 x 2.2 kW	1 x 5.5 kW
SWING MOTOR POWER	1 x 1.1 km	1 x 1.5 km	1 x 2.2 km
WATER HEIGHT	3 m	4 m	5 m
WATER COVER DIAMETER	6 m	8 m	10 m
DIRECT NOZZLES	20 pcs	30 pcs	38 pcs
LED LIGHTS	20 pcs	30 pcs	38 pcs
PACKING SIZE	204 x 34 x 40 cm	304 x 34 x 40 cm	404 x 34 x 40 cm
GROSS WEIGHT	80 kg	90 kg	120 kg



CONTROLLER

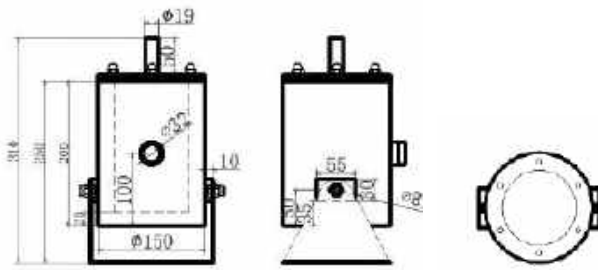
CODE	JFC-001
VOLTAGE	220V
SIZE	550 W
FEATURE	CAN CONTROL A SERIES JUMPING



02 FOUNTAIN NOZZLES

LAMINAR JET

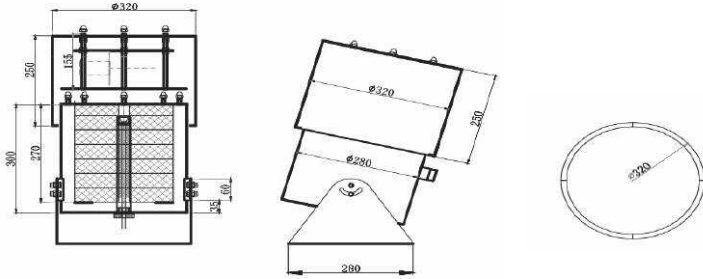
The laminar jumping fountain, when the water is jetting out, the water column is arched, smooth and clean, water column would not splash, and it is sprayed along the set track. The curved wave water column passe



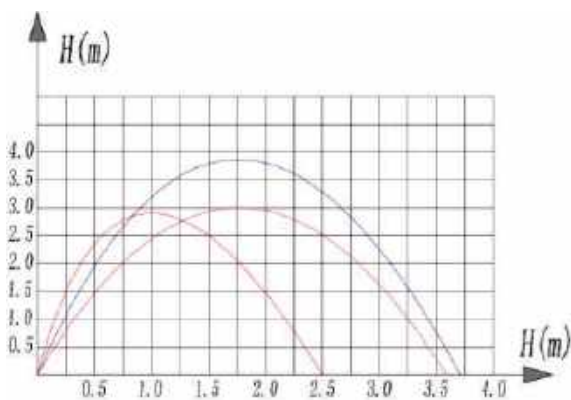
CODE	FL-15(150)	FL-25(250)
DIMENSION	205 x 150 x 310 mm	300 x 250 x 470 mm
LIGHT TYPE	RGB	RGB
JET DIAMETER	Ø12 mm	Ø12 mm
VOLUME	1300 L/H	1300 L/H
PUMP	120 W(10000)	140 W(13000)
MATERIAL	304#	304#
WEIGHT	3.6 kg	9.8 kg
ROTATERING RANGE	180°	180°
EXTERNAL CONTROLLER	NO	NO
WATER QUALITY REQUIREMENT	CLEAN	CLEAN



JUMPING JET



CODE	FL-SO28	FL-ST28	FL-DM28
DIMENSION	330 x 280 x 590 mm	330 x 280 x 590 mm	330 x 280 x 590 mm
LIGHT TYPE	RGB	RGB	RGB
JET DIAMETER	Ø14 mm	Ø14 mm	Ø14 mm
VOLUME	16000 L/H	16000 L/H	16000 L/H
PUMP	140 W(13000)	140 W(13000)	140 W(13000)
MATERIAL	304#	304#	304#
WEIGHT	18 kg	18 kg	18 kg
ROTATERING RANGE	120°	120°	120°
EXTERNAL CONTROLLER	YES	YES	YES
WATER QUALITY REQUIREMENT	CLEAN	CLEAN	CLEAN



STRAIGHT IN SHOWER NOZZLE



MODEL NO	JOINT SIZE	PRESSURE (KPA)	DISCHARGE (KPA)	SPRAY HEIGHT (KPA)	COVER DIAMETER (KPA)	WEIGHT (G)	NOTES	MATERIALS
AQN0001	1-1/2"	50-100	25-35	5-10	1-1.5			STAINLESS STEEL 304
AQN0002	2"	100-150	30-40	8-10	1-1.5	1630		
AQN0003	2-1/2"	100-150	40-50	8-12	1.5-3.5	2980		
AQN0004	3"	150-200	50-60	12-15	2-4			

MANY BRANCH JADE CHOPSTICK SHOWER NOZZLE



MODEL NO	JOINT SIZE	PRESSURE (KPA)	DISCHARGE (KPA)	SPRAY HEIGHT (KPA)	COVER DIAMETER (KPA)	WEIGHT (G)	NOTES	MATERIALS
AQN0005	1-1/2"	60-100	2-4	0.5-2	PARABOLA	280		STAINLESS STEEL 304
AQN0006	3/4"	80-100	4-9	1-3	PARABOLA	415		
AQN0007	1"	180-250	8-15	1.5-4	PARABOLA	565		
AQN0008	1-1/2"	250-290	15-20	2-5	PARABOLA	685		
AQN0009	2"	320-350	22-26	3-8	PARABOLA	725		

ADJUSTABLE JADE CHOPSTICK SHOWER NOZZLE



MODEL NO	JOINT SIZE	PRESSURE (KPA)	DISCHARGE (KPA)	SPRAY HEIGHT (KPA)	COVER DIAMETER (KPA)	WEIGHT (G)	NOTES	MATERIALS
AQN0010	1"	50-100	6-12	1.5-5.5	0.5-0.8	285		STAINLESS STEEL
AQN0011	1-1/2"	50-200	10-15	2-7	0.6-1.0	505		304

MUSHROOM NOZZLE



MODEL NO	JOINT SIZE	PRESSURE (KPA)	DISCHARGE (KPA)	SPRAY HEIGHT (KPA)	COVER DIAMETER (KPA)	WEIGHT (G)	NOTES	MATERIALS
AQN0012	1/2"	20-40	1	0.2	0.3	245		STAINLESS STEEL 304
AQN0013	3/4"	30-40	1.5	0.25	0.5	325		
AQN0014	1"	30-50	2	0.25	0.6	380		
AQN0015	1-5"	50-60	3	0.3	0.7	450		
AQN0016	2"	60-70	4	0.3	0.8	560		

STRAIGHT IN SHOWER NOZZLE



MODEL NO	JOINT SIZE	PRESSURE (KPA)	DISCHARGE (KPA)	SPRAY HEIGHT (KPA)	COVER DIAMETER (KPA)	WEIGHT (G)	NOTES	MATERIALS
AQN0017	3/4"	50-100	2-5	0.2-0.4	0.1-0.3	170		STAINLESS STEEL 304
AQN0018	1"	50-100	3.5-8	0.3-0.5	0.2-0.4	235		
AQN0019	1-1/2"	50-100	10-18	0.4-0.8	0.3-0.5	435		
AQN0020	3"	60-150	17-25	0.4-0.8	0.3-0.6	780		
AQN0021	3"	70-160	20-28	0.5-1.0	0.4-0.8	980		

PHOENIX FLOWER NOZZLE



MODEL NO	JOINT SIZE	PRESSURE (KPA)	DISCHARGE (KPA)	SPRAY HEIGHT (KPA)	COVER DIAMETER (KPA)	WEIGHT (G)	NOTES	MATERIALS
AQN0022	3/4"	50-70	2-4	2-3	RAY	450		STAINLESS STEEL 304
AQN0023	1"	50-80	5-8	2-3	RAY	830		
AQN0024	1-1/2"	50-15	7-10	2-3	RAY	1200		

DIRECTIONAL TOWER CEDAR NOZZLE



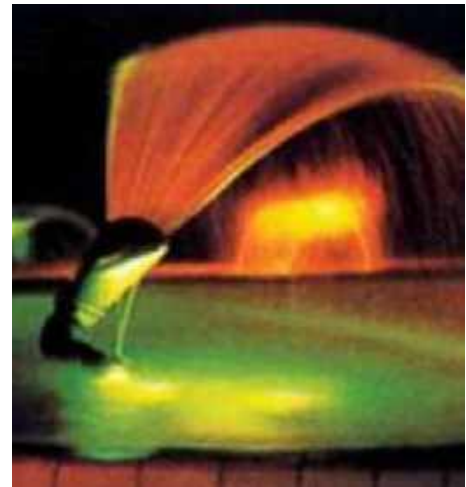
MODEL NO	JOINT SIZE	PRESSURE (KPA)	DISCHARGE (KPA)	SPRAY HEIGHT (KPA)	COVER DIAMETER (KPA)	WEIGHT (G)	NOTES	MATERIALS
AQN0025	1/2"	40-200	2-4	1-4	0.2	147		STAINLESS STEEL 304
AQN0026	3/4"	40-200	2-4	1-4	0.2	147		
AQN0027	1"	40-200	6-10	1-4	0.3	400		
AQN0028	1-1/2"	50-330	8-20	1-8	0.6	880		
AQN0029	2"	50-400	12-25	1-10	1.0	1260		
AQN0030	3"	80-550	18-35	1-15	2.0	2480		

DIRECTIONAL TOWER CEDAR NOZZLE



MODEL NO	JOINT SIZE	PRESSURE (KPA)	DISCHARGE (KPA)	SPRAY HEIGHT (KPA)	COVER DIAMETER (KPA)	WEIGHT (G)	NOTES	MATERIALS
AQN0031	3/4"	40-200	2-4	2-4	0.2	245		STAINLESS STEEL 304
AQN0032	1"	40-200	6-10	1-6	0.3	470		
AQN0033	1-1/2"	50-330	8-20	1-8	0.6	875		
AQN0034	2"	50-400	12-25	1-10	1.0	1285		
AQN0035	3"	50-450	21-50	1-12	1.5	4155		

ADJUSTABLE FAN-SHAPED NOZZLE



MODEL NO	JOINT SIZE	PRESSURE (KPA)	DISCHARGE (KPA)	SPRAY HEIGHT (KPA)	COVER DIAMETER (KPA)	WEIGHT (G)	NOTES	MATERIALS
AQN0036	3/4"	30-50	2-3	0.2-0.6	0.4-0.8	420		STAINLESS STEEL 304
AQN0037	1"	30-80	4-8	0.3-0.8	0.6-1.2	675		
AQN0038	1-1/2"	30-80	10-18	0.5-1.0	0.8-1.5			
AQN0039	3"	60-120	24-26	1.0-2.3	1.5-2.5			

FIREWORKS SHOWER NOZZLE



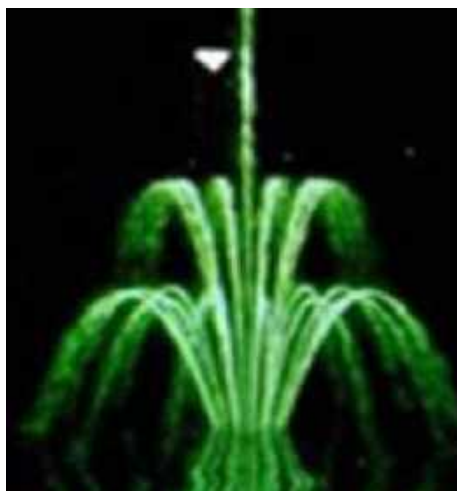
MODEL NO	JOINT SIZE	PRESSURE (KPA)	DISCHARGE (KPA)	SPRAY HEIGHT (KPA)	COVER DIAMETER (KPA)	WEIGHT (G)	NOTES	MATERIALS
AQN0040	1"	40-100	7-10	2-3.5	2-3	505		STAINLESS STEEL 304
AQN0041	1-1/2"	50-100	9-13	2-4	2.5-4	530		

SPIRAL FOG NOZZLE



MODEL NO	JOINT SIZE	PRESSURE (KPA)	DISCHARGE (KPA)	SPRAY HEIGHT (KPA)	COVER DIAMETER (KPA)	WEIGHT (G)	NOTES	MATERIALS
AQN0042	1/2"	40-80	0.2-0.5	1-2	0.5-1	65		STAINLESS STEEL 304
AQN0043	3/4"	40-80	0.3-1	1-3	1-2	105		
AQN0044	1"	40-80	1-1.2	1-3	1-3	165		

STYLE SHOWER NOZZLE



MODEL NO	JOINT SIZE	PRESSURE (KPA)	DISCHARGE (KPA)	SPRAY HEIGHT (KPA)	COVER DIAMETER (KPA)	WEIGHT (G)	NOTES	MATERIALS
AQN0045	1"	50-100	2-4	2-3	2-3	395		STAINLESS STEEL 304 OR 316
AQN0046	1-1/2"	40-200	60-120	2-4	2-4	605		
AQN0047	2"	50-330	70-130	2-4	2-4	785		

BUBBLE NOZZLE



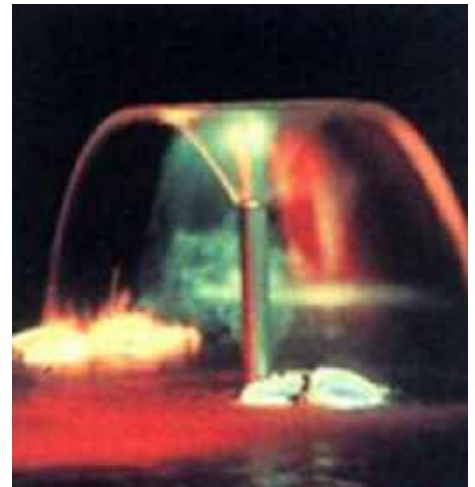
MODEL NO	JOINT SIZE	PRESSURE (KPA)	DISCHARGE (KPA)	SPRAY HEIGHT (KPA)	COVER DIAMETER (KPA)	WEIGHT (G)	NOTES	MATERIALS
AQN0048	1"	50-100	3.5-8	0.3-0.5	0.2-0.4	265		STAINLESS STEEL 304 OR 316
AQN0049	1-1/2"	50-100	10-18	0.4-0.8	0.3-0.6	420		

ADJUSTABLE JADE CHOPSTICK SHOWER NOZZLE



MODEL NO	JOINT SIZE	PRESSURE (KPA)	DISCHARGE (KPA)	SPRAY HEIGHT (KPA)	COVER DIAMETER (KPA)	WEIGHT (G)	NOTES	MATERIALS
AQN0050	1"	50-120	0.2-0.5	3		620		STAINLESS STEEL 304
AQN0051	1.5"	50-120	3.0-7.0	4		480		

PETUNIA NOZZLE



MODEL NO	JOINT SIZE	PRESSURE (KPA)	DISCHARGE (KPA)	SPRAY HEIGHT (KPA)	COVER DIAMETER (KPA)	WEIGHT (G)	NOTES	MATERIALS
AQN0052	1"	5-8	3	0.25	0.6	365		STAINLESS STEEL 304
AQN0053	1-1/2"	6-10	4	0.4	1.0	520		
AQN0054	2"	6-10	7	0.5	1.5	840		

FOLD SILVER MUSHROOM NOZZLE



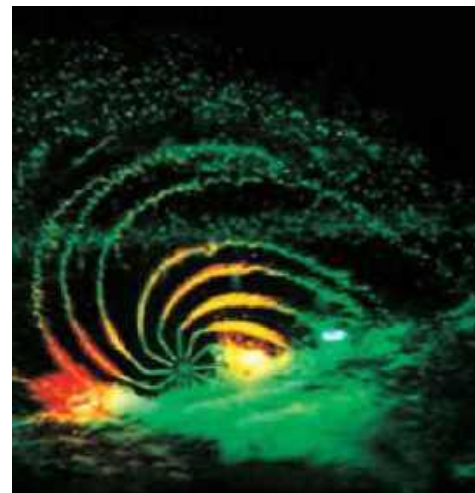
MODEL NO	JOINT SIZE	PRESSURE (KPA)	DISCHARGE (KPA)	SPRAY HEIGHT (KPA)	COVER DIAMETER (KPA)	WEIGHT (G)	NOTES	MATERIALS
AQN0055	1"	50-120	0.2-0.5	3		620		STAINLESS STEEL 304 OR 316
AQN0056	1.5"	50-120	3.0-7.0	4		480		

ROTATING SPRAYING NOZZLE



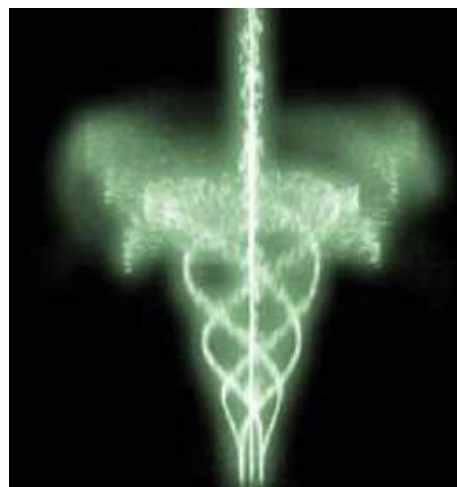
MODEL NO	JOINT SIZE	PRESSURE (KPA)	DISCHARGE (KPA)	SPRAY HEIGHT (KPA)	COVER DIAMETER (KPA)	WEIGHT (G)	NOTES	MATERIALS
AQN0057	1"	75	3.5	3	1.0-1.5	730		STAINLESS STEEL 304
AQN0058	1-1/2"	100	10	4	1.5-2.5	965		
AQN0059	2"	150	18	5	1.5-4.0	1410		

HOT WHEEL NOZZLE



MODEL NO	JOINT SIZE	PRESSURE (KPA)	DISCHARGE (KPA)	SPRAY HEIGHT (KPA)	COVER DIAMETER (KPA)	WEIGHT (G)	NOTES	MATERIALS
AQN0060	1"	75	3.5	3	1.0-1.5	730		STAINLESS STEEL 304
AQN0061	1-1/2"	100	10	4	1.5-2.5	965		
AQN0062	2"	150	18	5	1.5-4.0	1410		

ROATATING SPRAYING NOZZLE



MODEL NO	JOINT SIZE	PRESSURE (KPA)	DISCHARGE (M ³ /H)	SPRAY HEIGHT (M)	COVER DIAMETER	WEIGHT (G)	NOTES	MATERIALS
AQN0063	1"	75	3.5	3	1.0-1.5	730		STAINLESS STEEL 304
AQN0064	1-1/2"	100	10	4	1.5-2.5	965		
AQN0065	2"	150	18	5	1.5-4.0	1410		

FULL STAINLESS STEEL EUROPE STYLE NOZZLE



MODEL NO	JOINT SIZE	PRESSURE (KPA)	DISCHARGE (KPA)	SPRAY HEIGHT (KPA)	COVER DIAMETER (KPA)	WEIGHT (G)	NOTES	MATERIALS
AQN0066	1"	60-180	3.6-6.0	2.7	0.3-0.8	2200		STAINLESS STEEL 304
AQN0067	1.5"	100-250	4-8	3.5	0.5-1			
AQN0068	1-5"	200-300	4-8	6	1-1.2			
AQN0069	2"	250-500	5-10	10	1.2-2			

ADJUSTABLE THREE FLOWER NOZZLE



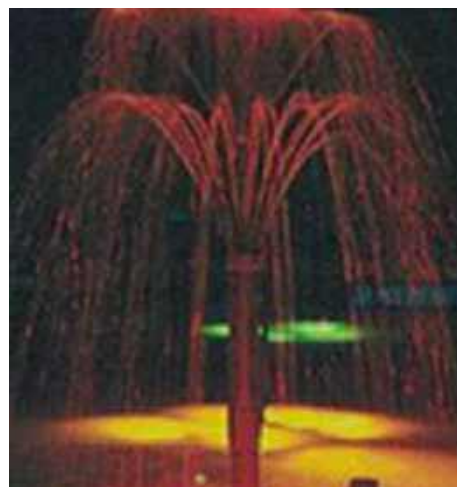
MODEL NO	JOINT SIZE	PRESSURE (KPA)	DISCHARGE (M ³ /H)	SPRAY HEIGHT (M)	COVER DIAMETER	WEIGHT (G)	NOTES	MATERIALS
AQN0071	1"	100-200	15-20	3-6	0.3-0.5	800		STAINLESS STEEL
AQN0072	1.5"	120-200	23-33	5-7	0.6-0.8	760		304

COLLECTING STRAIGHT IN NOZZLE



MODEL NO	JOINT SIZE	PRESSURE (KPA)	DISCHARGE (M ³ /H)	SPRAY HEIGHT (M)	COVER DIAMETER	WEIGHT (G)	NOTES	MATERIALS
AQN0073	1"	50-120	2.0-6.0	0.4-1.2		620		STAINLESS STEEL
AQN0074	1.5"	50-150	3.0-8.0	0.5-1.5		480		304

JADE WITH SILVER MMUSHROOM



MODEL NO	JOINT SIZE	PRESSURE (KPA)	DISCHARGE (M ³ /H)	SPRAY HEIGHT (M)	COVER DIAMETER	WEIGHT (G)	NOTES	MATERIALS
AQN0075	1"	50-120	2.0-6.0	0.4-1.2		620		STAINLESS STEEL
AQN0076	1.5"	50-150	3.0-8.0	0.5-1.5		480		304

DANDELION CRYSTAL BALL NOZZLE



MODEL NO	JOINT SIZE	PRESSURE (KPA)	DISCHARGE (M ³ /H)	SPRAY HEIGHT (M)	COVER DIAMETER (M)	WEIGHT (G)	NOTES	MATERIALS
AQN0078	1"	60-100	8	0.4	0.6	4500	31	STAINLESS STEEL 304
AQN0079	1-1/2"	80-100	10	0.5	0.8		41	
AQN0080	2"	80-100	13	0.7	1.0	13800	65	
AQN0081	3"	80-100	30	1.0	0.8	31000	105	

EUROPE STYLE NOZZLE



MODEL NO	JOINT SIZE	PRESSURE (KPA)	DISCHARGE (M ³ /H)	SPRAY HEIGHT (M)	COVER DIAMETER (M)	WEIGHT (G)	NOTES	MATERIALS
AQN0082	1"	60-180	3.6-6.0	2.7	0.3-0.8	1650		

ADJUSTABLE DIRECTED HIGH NOZZLE



MODEL NO	JOINT SIZE	PRESSURE (KPA)	DISCHARGE (M ³ /H)	SPRAY HEIGHT (M)	COVER DIAMETER	WEIGHT (G)	NOTES	MATERIALS
AQN0083	M10	50-100	0.1-0.5	1-3		40		STAINLESS STEEL 304 OR 316
AQN0084	1/2"	50-150	0.3-1.5	1-6		90		
AQN0085	3/4"	50-150	1-3	1-8		145		
AQN0086	1"	50-150	2-4	3-12		180		
AQN0087	1-1/2"	50-150	3-6	3-15		535		
AQN0088	2"	50-150	5-8	3-20		750		
AQN0089	2-1/2"	50-200	6-10	4-20				
AQN0090	3"	50-250	8-12	5-30				
AQN0091	4"	50-300	10-16	6-40				

NEW ROTATING NOZZLE



MODEL NO	CONNECTIONS	PRESSURE (KPA)	DISCHARGE (M ³ /H)	HEIGHT (M)	DIAMETER (M)
AQN0092	Dn40	150-450	29	2-5	3
AQN0093	Dn50	150-450	38	2-6	3.5
AQN0094	Dn65	150-450	47	2.5-8	4

FAN-SHAPED NOZZLE



MODEL NO	JOINT SIZE	PRESSURE (KPA)	DISCHARGE (M ³ /H)	HEIGHT (M)	DIAMETER (M)
AQN0095	Dn50	150-350	16.5	3-10	2

CHANGEABLE NOZZLE



MODEL NO	JOINT SIZE	PRESSURE (KPA)	DISCHARGE (M ³ /H)	SPRAY HEIGHT (M)	COVER DIAMETER (M)	WEIGHT (G)	NOTES	MATERIALS
AQN0082	1"	60-180	3.6-6.0	2.7	0.3-0.8	1650		

DIRECTIONAL DIRECT NOZZLE



MODEL NO	CONNECTIONS	PRESSURE (KPA)	DISCHARGE (M ³ /H)	HEIGHT (M)	DIAMETER (M)
AQN0098	Dn40	150-300	5-10	3-8	RAY STATE
AQN0099	Dn40	150-300	5-10	3-8	RAY STATE
AQN0100	Dn50	150-350	10-25	3-10	RAY STATE
AQN0101	Dn50	150-350	10-25	3-10	RAY STATE
AQN0094	Dn50	150-400	10-25	3-12	RAY STATE

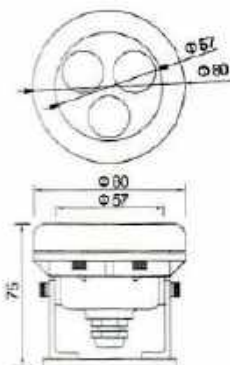
03 FOUNTAIN LIGHTS

STAINLESS STEEL LED ROTATABLE STAND LIGHT MOD

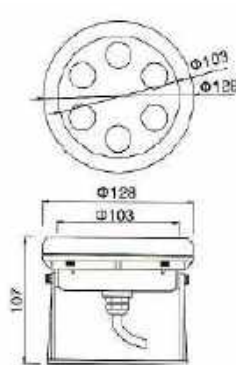
- Beam angle 30 as standard 10, 60, 90, 120 optional
- Colour: R, Y, G, B, W, WW, RGB
- Lifespan: 50,000hrs, L70 @ 25C
- Control method: Single colour,Auto RGB color Change,RGB 4 wires
- color change (with remote DM x 512 control)
- Installation method: clamp type, Disc type, U shape bracket,Optional
- Material: 304 stainless steel, High light transmission tempered glass anti -aging silicone sealing ring
- Cable: Special underwater water proof cable 1 meter
- Temperature: Operating temperature - 40°C - + 45°C
- Strong temperature - 40°C - +70°C
- Certification: CE, RoHs, ISO9001, Ip68
- Waterproof level: IP68



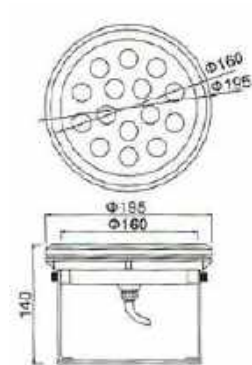
AQ-80-MOD1



AQ-128-MOD1



AQ-195-MOD1

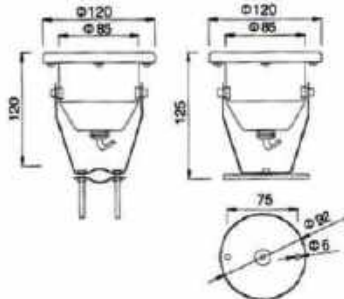


CODE	DESCRIPTION	WATT	VOLTAGE	NO OF LED	PACKING	WEIGHT	VOLUME
			AC/DC			Kg	m ³
AQ-80-MOD1	Stainless Steel Led Rotatable Stand Light	3	24V	3x1w	1	1.0	
AQ-128-MOD1		9	24V	9x1w	1	2.5	
AQ-195-MOD1		15	24V	15x1w	1	3.0	

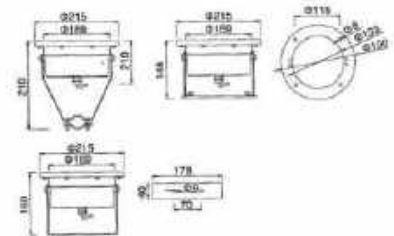
STAINLESS STEEL LED ROTATABLE STAND LIGHT MOD2



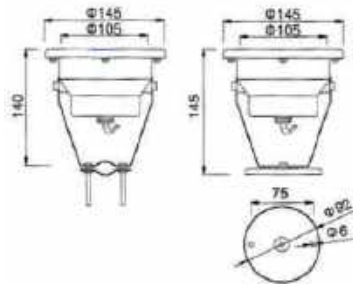
AQ-120-MOD2



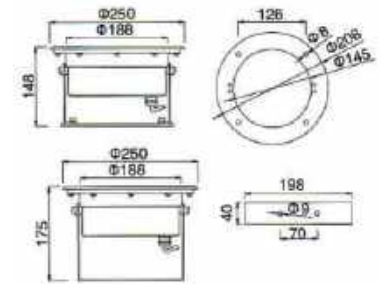
AQ-215-MOD2



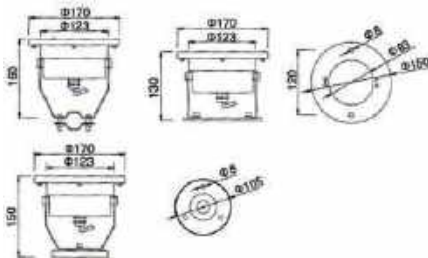
AQ-145-MOD2



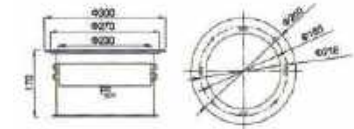
AQ-250-MOD2



AQ-170-MOD2



AQ-300-MOD2

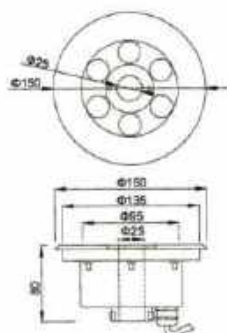


CODE	DESCRIPTION	WATT	VOLTAGE	NO OF LED	PACKING	WEIGHT	VOLUME
			AC/DC			Kg	m ³
AQ-120-MOD2	Stainless Steel Led Rotatable Stand Light	3	24V	3x1w	1	0.8	
AQ-145-MOD2		9	24V	9x1w	1	1.2	
AQ-145-MOD2-3		18	24V	6x3w	1	1.2	
AQ-170-MOD2		15	24V	15x1w	1	1.8	
AQ-170-MOD2-3		36	24V	12x3w	1	1.8	
AQ-215-MOD2		30	24V	30x1w	1	2.5	
AQ-215-MOD2-3		54	24V	18x3w	1	2.5	
AQ-250-MOD2		45	24V	45x1w	1	3.7	
AQ-250-MOD2-3		72	24V	24x3w	1	3.7	
AQ-300-MOD2		72	24V	72x1w	1	6.0	
AQ-300-MOD2-3		144	24V	48x3w	1	6.0	

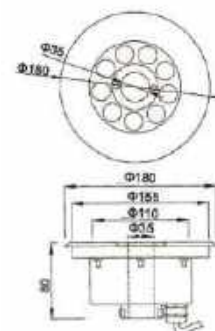
STAINLESS STEEL FOUNTAIN NOZZLE LIGHT MOD1



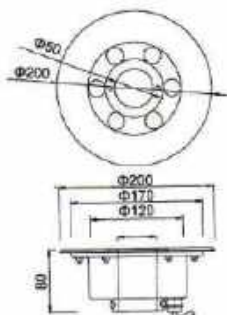
AQ-150-FNL1



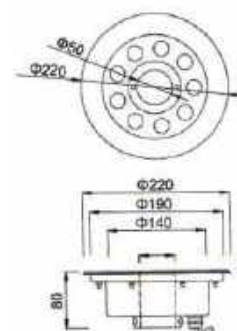
AQ-180-FNL1



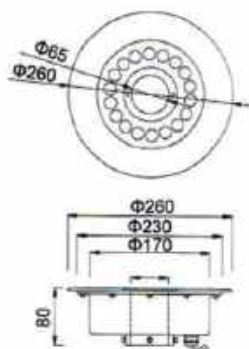
AQ-200-FNL1



AQ-220-FNL1



AQ-260-FNL1



CODE	DESCRIPTION	WATT	VOLTAGE	CENTER HOLE A	NO OF LED	PACKING	WEIGHT	VOLUME
			AC/DC				Kg	m ³
AQ-150-FNL1	Stainless Steel Fountain Nozzle Light	6	24V	25	3x1w	1	1.5	
AQ-180-FNL1		6	24V	35	6x1w	1	2.0	
AQ-200-FNL1		9	24V	42/50	9x3w	1	2.5	
AQ-220-FNL1		12	24V	42/50/65	12x1w	1	3.0	
AQ-260-FNL1		24	24V	65/80	24x1w	1	4.5	

STAINLESS STEEL FOUNTAIN NOZZLE LIGHT MOD2



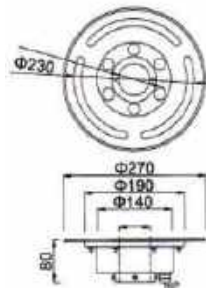
AQ-220-FNL2



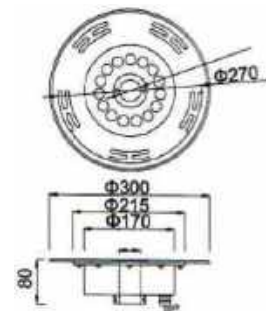
AQ-230-FNL2



AQ-270-FNL2

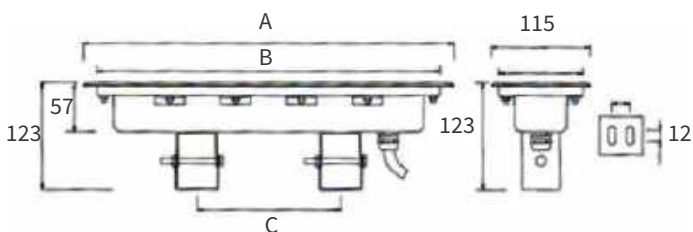


AQ-J300-FNL2



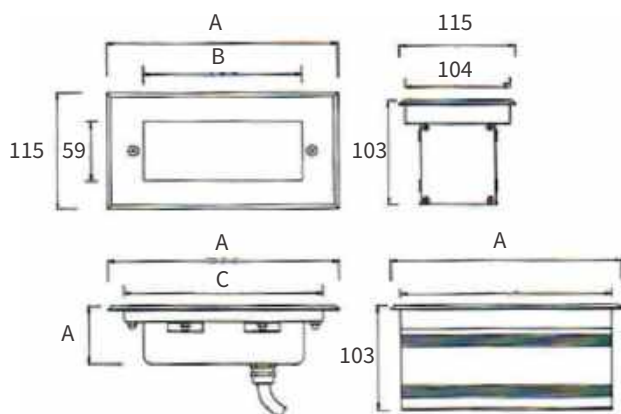
CODE	DESCRIPTION	WATT	VOLTAGE	NO OF LED	PACKING	WEIGHT	VOLUME
			AC/DC			Kg	m ³
AQ-220-FNL2	Stainless Steel Fountain Nozzle Light	18	24V	6x3w	1	2.5	
AQ-230-FNL2		27	24V	9x3w	1	3.0	
AQ-270-FNL2		36	24V	12x3w	1	4.0	
AQ-J300-FNL2		54	24V	18x1w	1	5.5	

STAINLESS STEEL LED WALL WASHER



CODE	DESCRIPTION	WATT	VOLTAGE	NO OF LED	DIMENSIONS			PACKING	WEIGHT	VOLUME
			AC/DC		A	B	C		Kg	m ³
AQ-XT001	Stainless Steel Led Wall Washer	4	24V	4x1w	230	158	-	1	1.5	
AQ-XT002		18	24V	18x1w	430	398	167	1	2.0	
AQ-XT003		24	24V	24x1w	630	598	315	1	2.5	
AQ-XT004		36	24V	36x1w	830	798	425	1	3.0	
AQ-XT005		48	24V	48x1w	1050	978		1	4.5	

STAINLESS STEEL LED BURIED LIGHT



CODE	DESCRIPTION	WATT	VOLTAGE	NO OF LED	DIMENSIONS			PACKING	WEIGHT	VOLUME
			AC/DC		A	B	C		Kg	m ³
AQ-XT006	Stainless Steel Led buried light	4	24V	4x1w	230	158	198	1	2.4	
AQ-XT007		18	24V	18x1w	430	358	398	1	4.3	
AQ-XT008		24	24V	24x1w	630	-	598	1	6.3	
AQ-XT009		36	24V	36x1w	830	-	798	1	8.2	
AQ-XT010		48	24V	48x1w	1050	-	1018	1	9.7	

UNDERWATER TRANSFORMER

- Material: 304 stainless steel, high quality copper core coil and imported iron core
- IP 68
- Under water special water proof cable
- Temperature: Operating temperature - 40°C - + 45°C
- Strong temperature - 40°C - +70°C



1000W



2000W



350W

CODE	DESCRIPTION	POWER	INPUT VOLTAGE	OUTPUT VOLTAGE	PACKING	WEIGHT	VOLUME
						Kg	m ³
AQ-UW1000	Under Water Transformer	1000	220V	24VAC	1		
AQ-UW2000		2000	220V	24VAC	1		
AQ-UW350		350	220V	24VAC	1		

04 FOUNTAIN PUMPS

MODEL NO	M/H FLOW	M LIFT	KW POWER	A POWER	V VOLTAGE	V HEIGHT	M RADIUS	
AQPF10-10-1.55	10	10	0.55	2.2	220/380	420	168	
AQPF15-7-0.55	15	7				420		
AQPF15-10-0.75	15	10	440					
AQPF25-6-0.75	25	6	440					
AQPF10-13-0.75	10	13	440					
AQPF25-9-1.1	25	9	1.1	3.2		460		
AQPF10-6-1.1	40	6	460					
AQPF25-12-1.5	25	12	1.5	4.2		460		
AQPF40-8-1.5	40	8	460					
AQPF25-17-2.2	25	17	2.2	6.1		530		168
AQPF65-7-2.2	65	7			590			
AQPF15-26-2.2	15	26			535			
AQPF20-20-2.2	20	20			530			
AQPF100-5-2.2	100	5			590			
AQPF40-16-3	40	16			530			
AQPF40-18-3	40	18			530			
AQPF45-16-3	45	16			530			
AQPF65-10-3	65	10			590			
AQPF25-25-3	25	25			3	8.5	550	
AQPF22-28-3	22	28	550					
AQPF50-13-3	50	13	530	168				
AQPF32-20-3	32	20	640					
AQPF100-7-3	100	7	640					
AQPF15-34/2-3	15	34	640					
AQPF20-30/2-3	20	30	640					
AQPF40-21-4	40	21	600				180	
AQPF65-13-4	65	13	600					
AQPF80-12-4	80	12	600					
AQPF100-9-4	100	9	620					
AQPF20-40/2-4	20	40	4	10.5	380	710	170	
AQPF25-34/2-4	24	34			705	184		
AQPF30-26/2-4	30	26			705			
AQPF20-36/2-4	20	36			705			
AQPF15-52/3-4	15	52			820			
AQPF45-25-5.5	45	25			5.5	13.4	740	184
AQPF40-28-5.5	40	28					740	
AQPF60-20-5.5	60	20					740	
AQPF65-18-5.5	65	18					740	
AQPF40-30/2-5.5	40	30					735	
AQPF30-38/2-5.5	30	38	740	170				
AQPF30-36/2-5.5	30	36	740					
AQPF30-40/3-5.5	30	40	850					
AQPF25-44/2-5.5	25	44	830				184	
AQPF20-50/3-5.5	20	50	850	168				
AQPF16-65/4-5.5	15	65	960					
AQPF120-10-5.5	120	10	760	200				
AQPF100-12-5.5	100	12	760					
AQPF220-5-5.5	220	5	800					
AQPF65-25-7.5	65	25	760		184			
AQPF80-24-7.5	80	24	7.5	18.7	780	185		

MODEL NO	M / H FLOW	M LIFT	KW POWER	A POWER	V VOLTAGE	V HEIGHT	M RADIUS
AQPF40-40/2-7.5	40	40	7.5	18.7	380	850	184
AQPF25-56/3-7.5	25	56				940	
AQPF50-36/3-7.5	50	36				940	
AQPF30-54/3-7.5	30	54				940	185
AQPF30-50/3-7.5	30	50				945	
AQPF20-75/3-7.5	20	75				1150	
AQPF25-60/3-7.5	25	60				945	

AQUA(Y)PF



AQUA(F)PF



HEAD OFFICE

I **AQUA S.p.A.**
42018 San Martino in Rio, Reggio Emilia - Italy - Via Crotti, 1
P +39 0522 695805/85 - F +39 0522 646160
aqua@aqua.it | www.aqua.it

AQUA S.p.A. - Pool Division
46043 Castiglione d. Stiviere, Mantova - Italy
P +39 0376 671973 - F +39 0376 940139
infopools@aqua.it | www.aqua.it

BRANCHES

UK **AQUA WATER SYSTEMS LTD**
Unit 135 Oak Drive Hartlebury Trading Estate,
Worcestershire, DY10 4JB
P +44 (0)1299 251050 - F +44 (0)1299 253704
sales@askaqua.co.uk | www.askaqua.co.uk

E **AQUA FILTRACION S.A.**
Pol. Ind. Castellbisbal Sud 08755
Castellbisbal, Barcellona
P +34 (0)93 7711855 - F +34 (0)93 7711772
info@aqua.es | www.aqua.es

TR **AQUA SU ARITIMI SAN. VE MUH. TIC. LTD. STI.**
Ferhatpasa Mahallesi Maresal Fevzi Cakmak
Cad. - No:45 Pk.34888 Atasehir / Istanbul - Turkey
P +90 216 661 60 60 - F +90 216 661 68 50
info@aqua.com.tr | www.aqua.com.tr

UAE **AQUA MIDDLE EAST FZC**
1J-07/4 and 1J-07/3 - Hamriyah Free Zone
P.O.Box 42585 Sharjah - United Arab Emirates
Tel No. +971 6 526 0563 - Fa x No. +971 6 526 0564
contact@aqua-me.ae | www.aqua-me.ae

IND **AQUA WATER SYSTEMS INDIA PVT LTD**
4A/4B/4C-, Puttappa Industrial Estate Mahadevapura
Post, White Field Road, Bangalore 560 048
P 0091 80 4152 1313 - F 0091 80 4152 1414
contact@aquaindia.in - sales@aquaindia.in | www.aquaindia.in

RUS **"AQUA GROUP RUS"**
Juridical Address : 107014, Egerskaya str., 1, Moscow, Russia
Residence Address: 127081, Chermianskaya str, 3, Moscow, Russia
Phone-Fax: +7 495 6458078, +7 495 969 2413
mail@aqua-italy.ru | www.aqua-italy.ru - www.aqua.it

